

WamBam

Fun Name. Serious Fence.

TRADITIONAL

YARD & POOL
VINYL GATE
(4'H X 4'W)

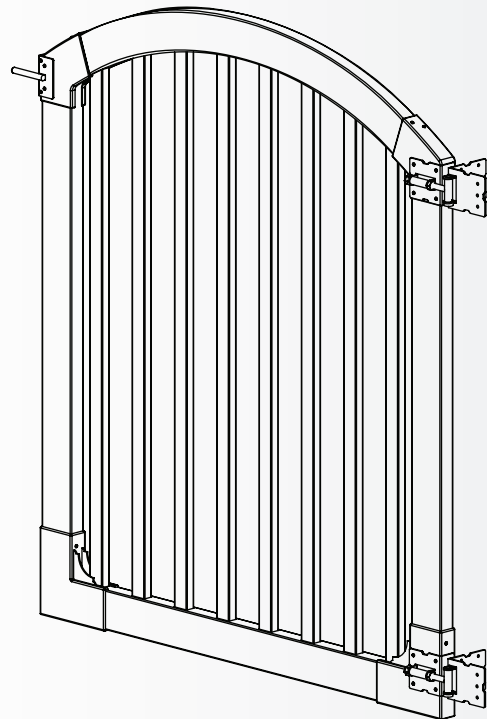
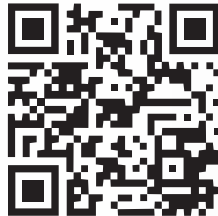
ASSEMBLY
INSTRUCTIONS
VG13005

60 MIN

Approximate assembly time

*Want to see a video on how to
assemble this product?*

Scan the QR code



GENERAL INFORMATION



IMPORTANT

- ⊕ Check the inside of the larger pieces in your box for other materials packed inside.
- ⊕ When assembling components, place on a non-abrasive surface (i.e. shipping box) to avoid scratching.
- ⊕ We recommend an area approximately 5'x 8' for unobstructed assembling.
- ⊕ You should not need to use excessive force when assembling components.

MISSING OR DAMAGED PARTS?

VISIT OUR WEBSITE FIRST, SO WE CAN HELP YOU RIGHT AWAY!

Although great care has been taken to ensure proper packaging and handling of this product, occasionally problems occur. If you discover any missing, damaged, or defective parts, please visit our website to order replacement parts. If you experience any further trouble with your product, please contact our customer service department.

 parts.nychbrands.com

 hmmm@wambamfence.com

 **704-892-5222 / 877-778-5733**

Customer service agents are available to take calls weekdays from 9am-5pm EST. If you call outside of business hours, please leave a voicemail.

To help you quickly and accurately, please have reference item number **VG13005** and the specific part name which can be found on page 7. It is helpful if you can provide the batch lot which is a stamped number on the inside of the box.

NEED ASSEMBLY HELP?

If you are having problems with the assembly or installation of this product, we are happy to assist you with the process, **so please give us a call at 704-892-5222 / 877-778-5733.**

NEED TO RETURN?

If for some reason you need to return this product, please allow us to help resolve your issues first. If you still decide to return the product, **you will need to initiate the return from the company you originally purchased from.**

AVOID THESE PITFALLS!

HAVE YOU CONTACTED YOUR **LOCAL UTILITIES?**



1

You must call your local utilities before you start installing your fence to avoid puncturing any unseen underground utilities, especially electrical or gas lines. Fortunately, this is made easy for you.

*Simply call **811** in the US or visit www.call811.com. In Canada, visit <http://www.clickbeforeyoudig.com/> for a list of phone numbers by province.*

HAVE YOU CHECKED YOUR **LOCAL ZONING LAWS?**

2

Local zoning laws and Home Owners Associations may regulate the height, style, and placement of your fence. Some locations may even require a permit.

ARE YOU ABSOLUTELY SURE WHERE YOUR **PROPERTY LINE** IS?

3

Ensure the installation of your fence is within your property line limits.

HAVE YOU TALKED TO YOUR **NEIGHBORS?**

4

Your fence will become part of their yard too, and you'll have an easier time building it if you can have access from both sides. Besides, you may get lucky if they decide to share the cost with you.

TOOLS AND MATERIALS YOU'LL NEED

- Safety Glasses
- 1ft. Torpedo Level
- 4ft. Level
(optional String Line Level)
- 2in. x 2in. x 6in. Inch Wood "Spacer" Block
(2 for each panel)
- Cordless Drill *(preferably with a high-torque setting)*
- Shovel or Auger
- Any Power Or Hand Saw With A Fine-Toothed Blade
- String Line Stakes
- Spool of String
- Tape Measure

GENERAL INFORMATION

1. Read over fence instructions first.

Your gate and fence will work better together if you first take the time to read and understand your fence.

2. Pre-assemble the gate frame.

Please do not screw the gate frame together until you have temporarily assembled the gate frame. In other words, do a dry run first. This will ensure:

1. That you have everything necessary to complete the gate.
2. That you will have assembled the gate frame in the correct order.
3. All of the pieces fit and function properly.
4. The gate height and width are similar to the measurements shown on page six.

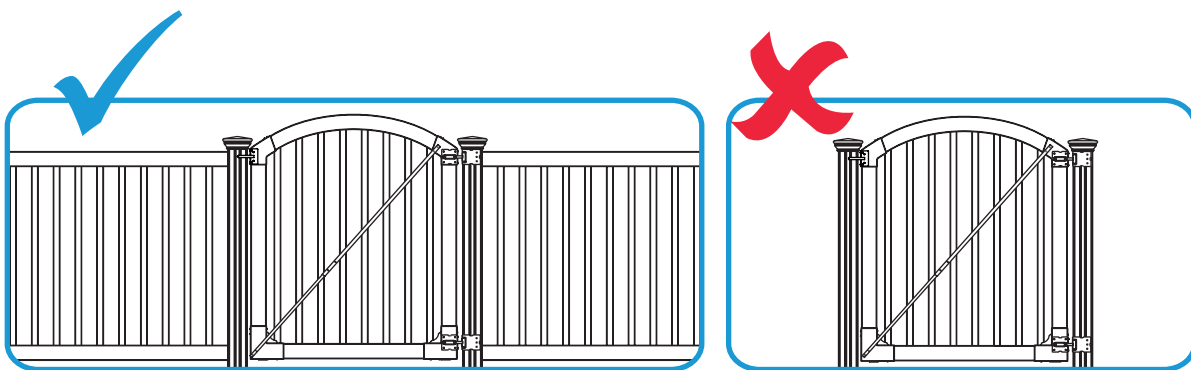
It's easier to troubleshoot when things are not screwed together. After you assemble your gate correctly, please disassemble, as necessary, and use the 1¼" self-drilling stainless steel screws to permanently assemble the gate.

3. Install your gate posts before your fence posts.

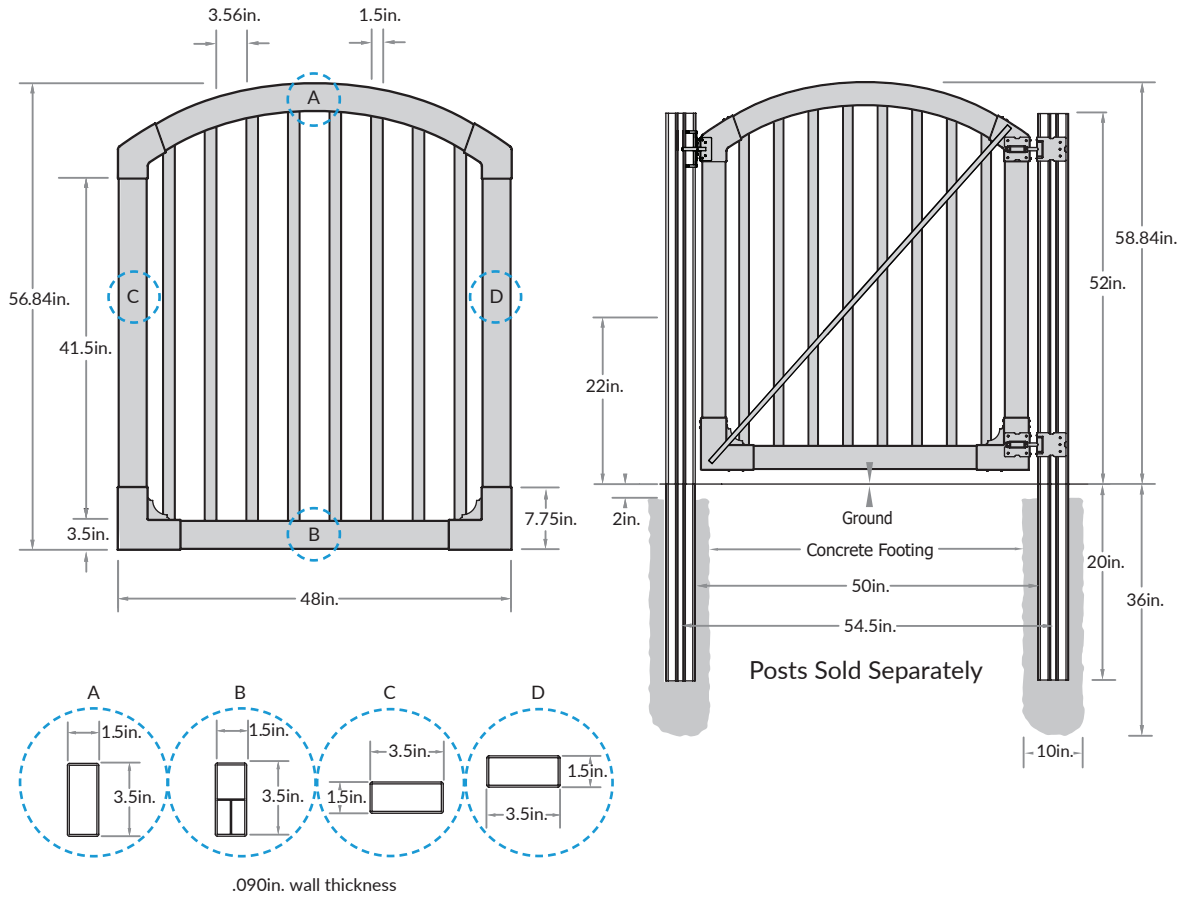
Your fence panels will be more forgiving for a custom fit than your gate. Position and install your gate posts before you do anything else.

4. Do not hang your gate system off a single non-supported post.

Your gate will perform better and last longer if your hinge post is connected to a panel of fence that is connected to another post. This way, the weight strain will be transferred onto two posts versus just one. Installing fence panels on both sides of your gate is ideal in all situations. If this is not possible because of space restrictions, please contact us for alternative solutions.



Detailed Product Dimensions & Specifications



Pool Code Notes:

For swimming and other child safety gates, most safety standards specify:

- a) Your fence height needs to be between 4' and 6' high minimum.
- b) Your gate needs to open outwards away from the pool.
- c) Latch releasing mechanism to be minimum 54" from the ground.

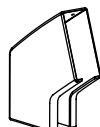
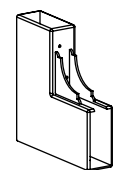

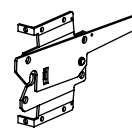

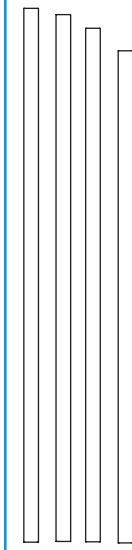




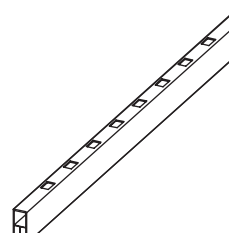
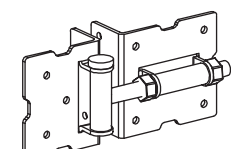
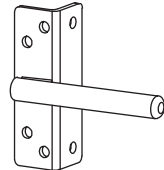
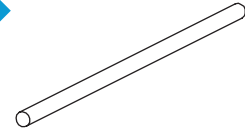
*The Yard & Pool gate will require a specialized latching system to meet pool code. Use MagnaLatch Top Pull Hardware (not included). Magna Latch Top Pull Code is # MLTPS2BGA.

*Always confirm these and other requirements with the appropriate authorities in your area. Code will change from one location to another across the country.

Gate Brace Warning:

The gate brace included with this gate may be considered a climbing surface by some pool inspectors and, therefore, in conflict with pool code. This gate can be assembled and installed without the brace, if necessary.

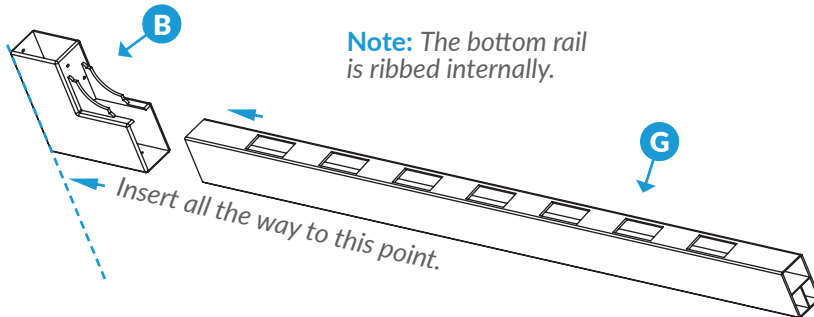
STEP 1: LAY OUT MATERIALS

<p>A</p>  <p>Arch Bracket (2)</p>	<p>B</p>  <p>Corner Bracket (2)</p>	<p>C</p>  <p>Top Rail (1) 1 1/2" x 9" x 42 1/4"</p>	<p>J</p>  <p>Latch Catch (1)</p>
<p>D</p>  <p>Gate Brace (1)</p>	<p>E</p>  <p>Pickets</p> <p>Picket 1 (2) 7/8" x 1 1/2" x 54 3/4"</p> <p>Picket 2 (2) 7/8" x 1 1/2" x 53 1/2"</p> <p>Picket 3 (2) 7/8" x 1 1/2" x 52 1/8"</p> <p>Picket 4 (2) 7/8" x 1 1/2" x 50"</p>	<p>F</p>  <p>Vertical Stile (2) 1 1/2" x 3 1/2" x 45"</p>	<p>K</p>  <p>1 1/4" White Self-Drilling Stainless Steel Screw (20)</p> <p>L</p>  <p>1 1/4" Black Self-Drilling Stainless Steel Screw (24)</p> <p>M</p>  <p>2" Black Self-Drilling Stainless Steel Screw (14)</p>
<p>G</p>  <p>Bottom Rail (1) 1 1/2" x 3 1/2" x 47 3/4"</p>	<p>H</p>  <p>Gate Hinge with Screws (2)</p>	<p>I</p>  <p>Latch Finger (1)</p>	<p>N</p>  <p>4" Tension Pin (2)</p>

STEP 2: ASSEMBLE GATE FRAME BOTTOM AND SIDES

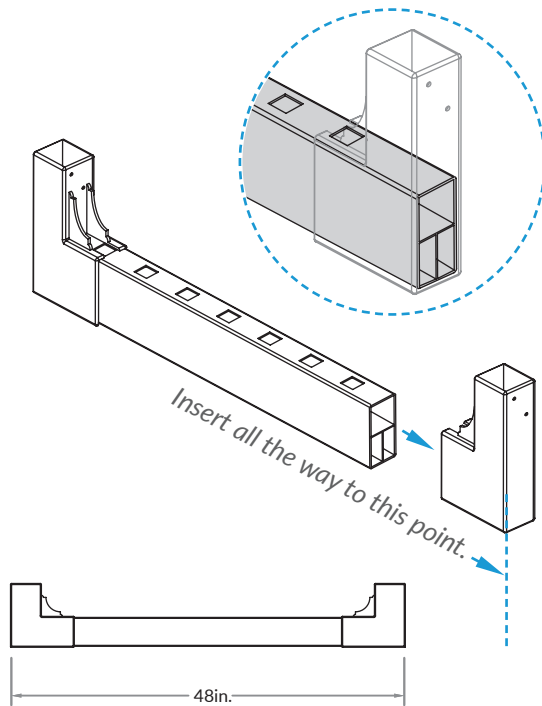
STEP 2.1

▶ Insert the Bottom Rail (G) all the way until it bottoms out inside the inside of the Corner Bracket (B).



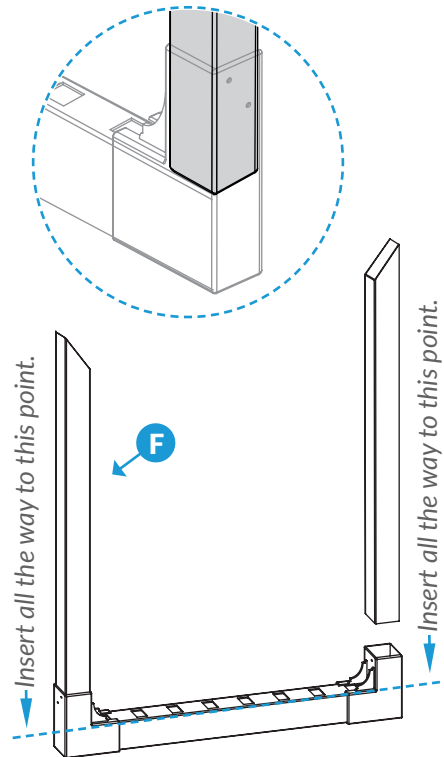
STEP 2.2

▶ Insert the bottom rail all the way until it bottoms out inside the opposite corner bracket as illustrated.



STEP 2.3

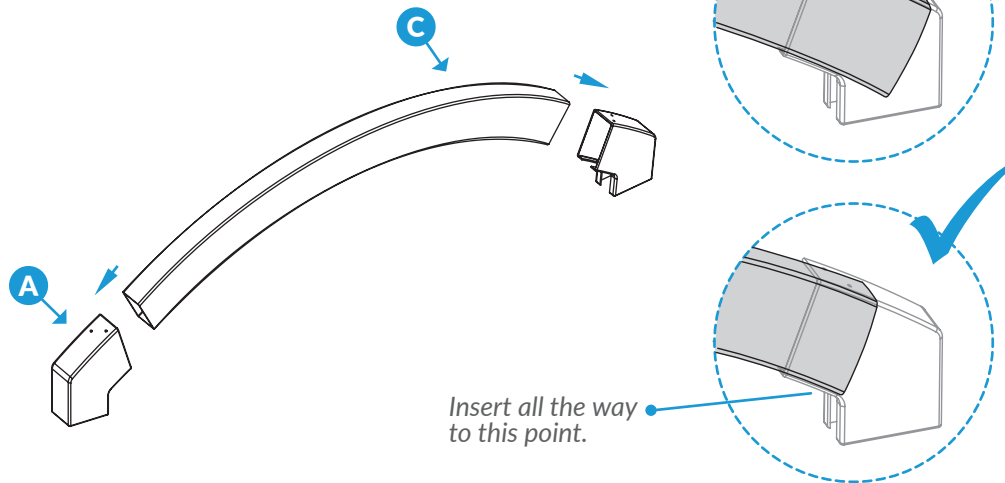
▶ Insert the Vertical Stiles (F). They will bottom out against the bottom rail.



STEP 3: ASSEMBLE THE GATE FRAME TOP

STEP 3.1

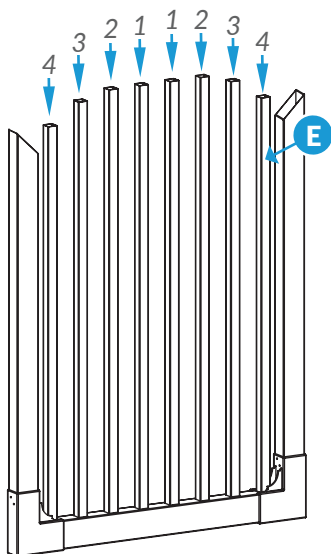
▶ Insert the Top Rail (C) inside the Arch Brackets (A) as illustrated.



STEP 4: INSERT PICKETS

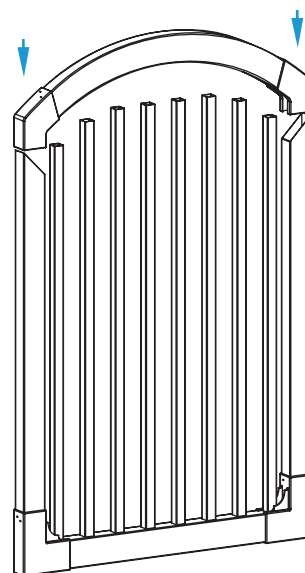
STEP 4.1

▶ Insert Pickets 1, 2, 3, and 4 (E) through the holes in the bottom rail in the pattern illustrated.



STEP 4.2

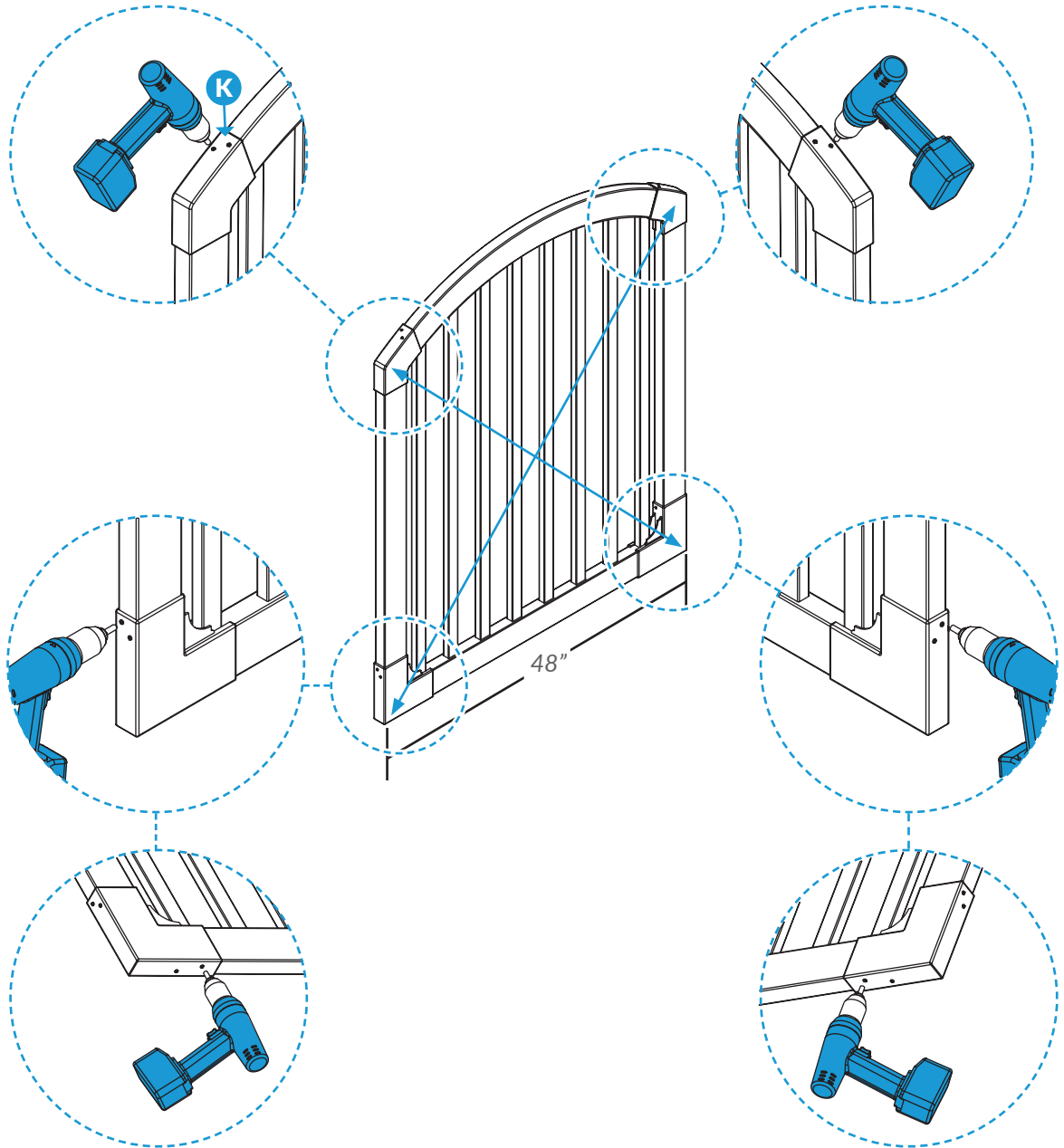
▶ Slide the gate arch over the pickets and vertical stiles.



STEP 5: SECURE GATE FRAME AND BRACKETS

STEP 5.1

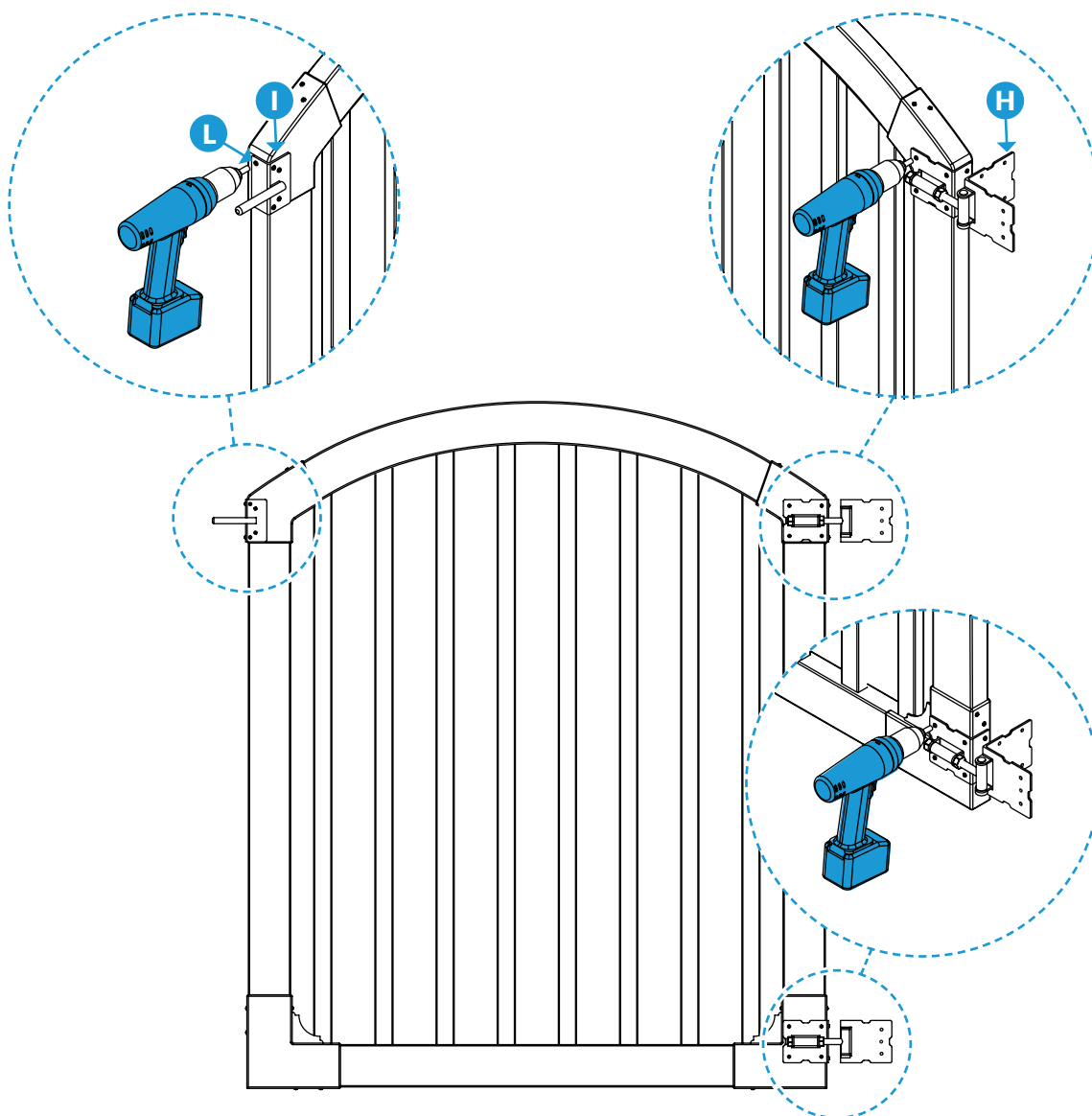
▶ Make sure your gate is square. The corner-to-corner measurements must be the same and the width of the gate should be 48". Secure the brackets using (12) 1¼" White Self Drilling Stainless Steel Screws (K) as illustrated.



STEP 6: FASTEN GATE HINGES AND GATE LATCH

STEP 6.1

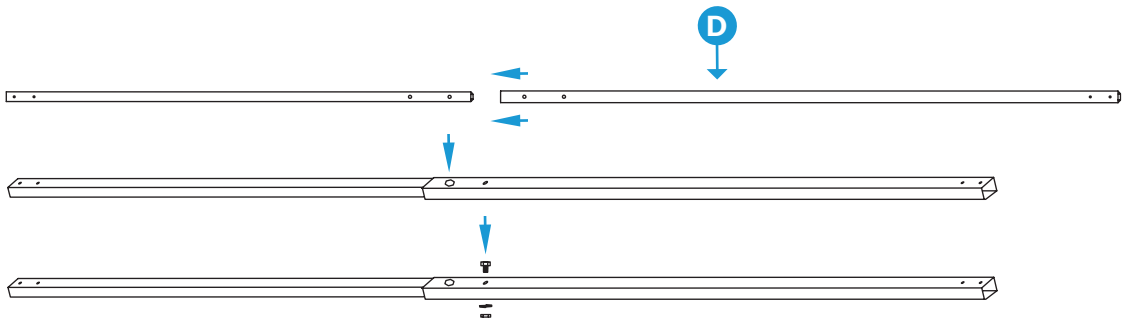
1. Fasten the Latch Finger (**I**) onto the arch bracket using (6) 1¼" Black Self-Drilling Stainless Steel Screws (**L**).
2. Fasten the Gate Hinges (**H**) onto the opposite arch bracket and bottom bracket using (12) 1¼" black self-drilling stainless steel screws.



STEP 7: ASSEMBLE AND FASTEN GATE BRACE

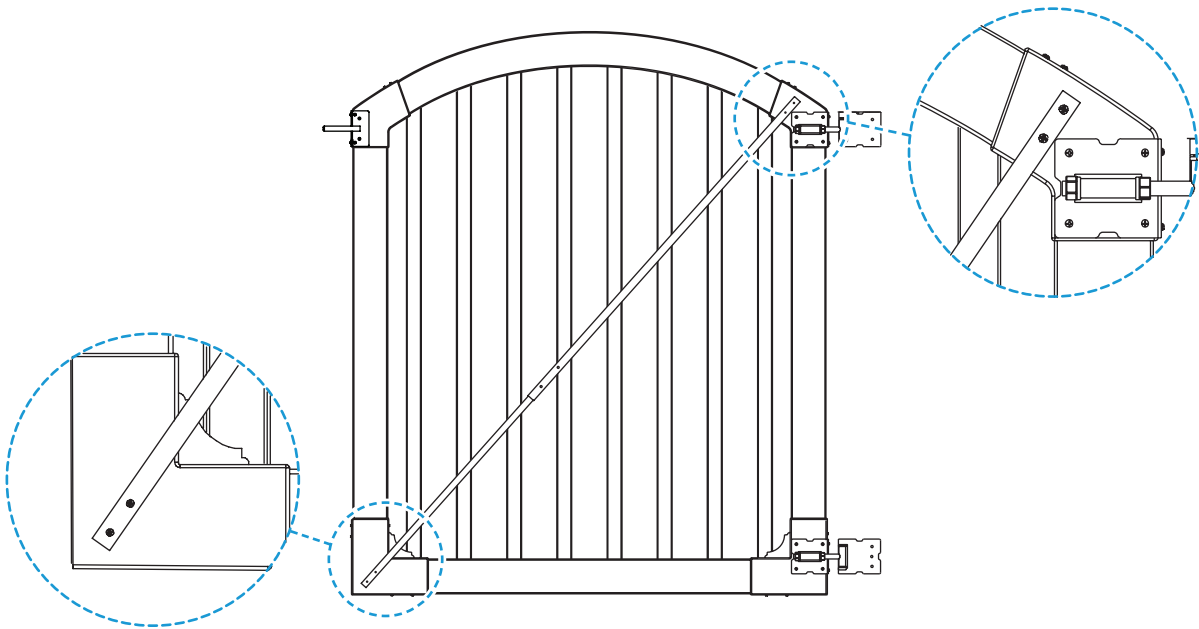
STEP 7.1

- ▶ Assemble the Gate Brace (D) by sliding the larger square tube over the smaller square tube. Align the holes and install by using the included hardware.



STEP 7.2

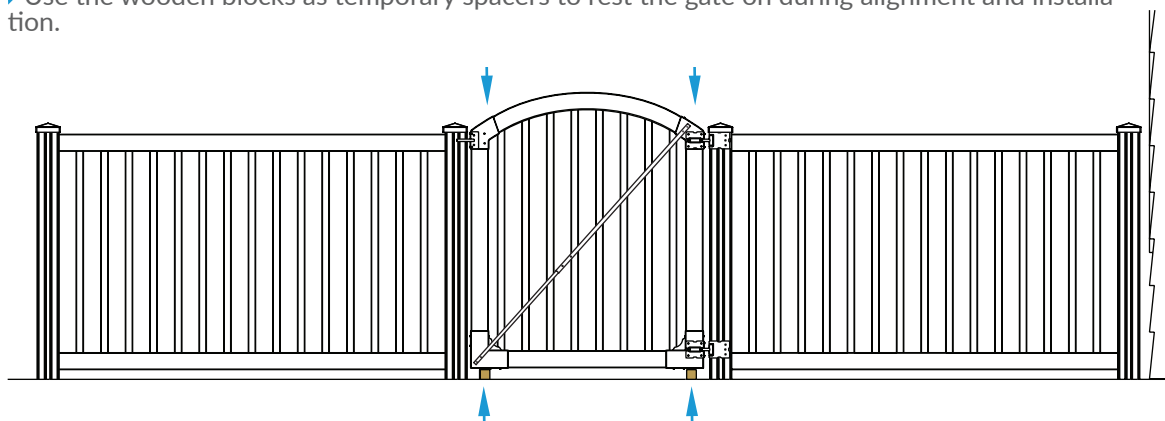
- ▶ Double check that the gate is square, and screw the gate brace into place by using (4) self-drilling stainless steel screws packaged with the gate brace.



STEP 8: ALIGN GATE AND SECURE HINGES TO POSTS

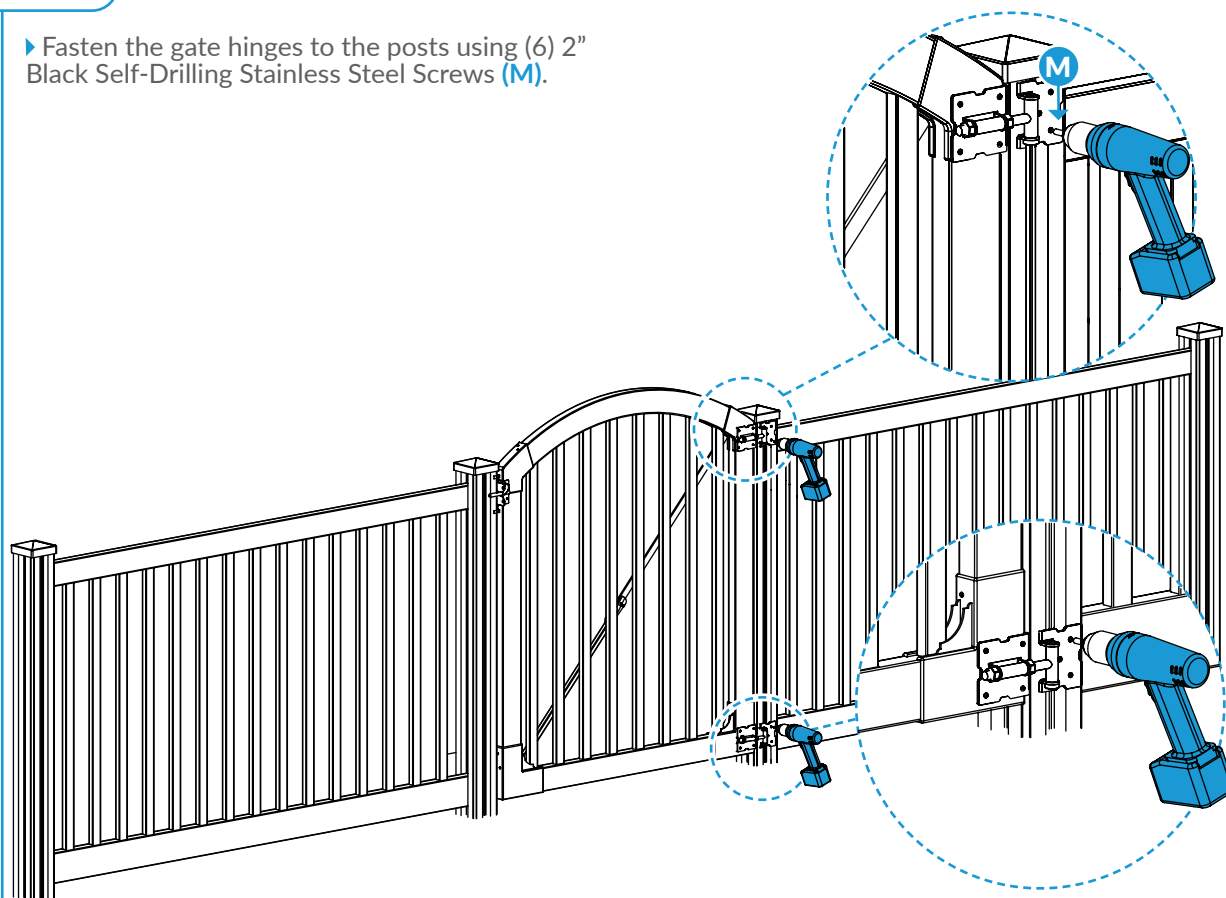
STEP 8.1

▶ Use the wooden blocks as temporary spacers to rest the gate on during alignment and installation.



STEP 8.2

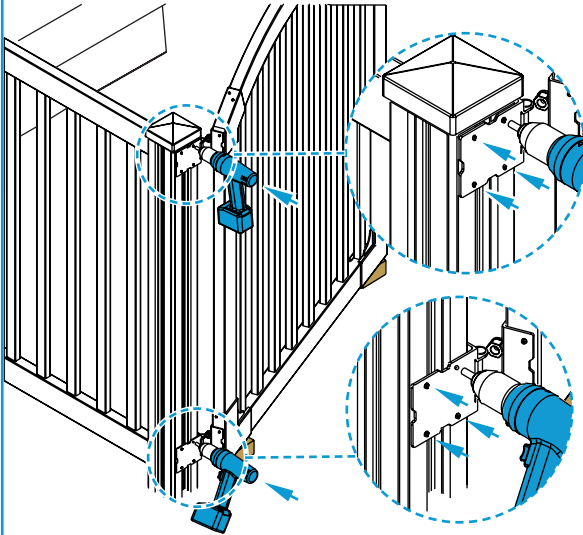
▶ Fasten the gate hinges to the posts using (6) 2" Black Self-Drilling Stainless Steel Screws (M).



STEP 9: LEVEL GATE AND ADJUST HINGES

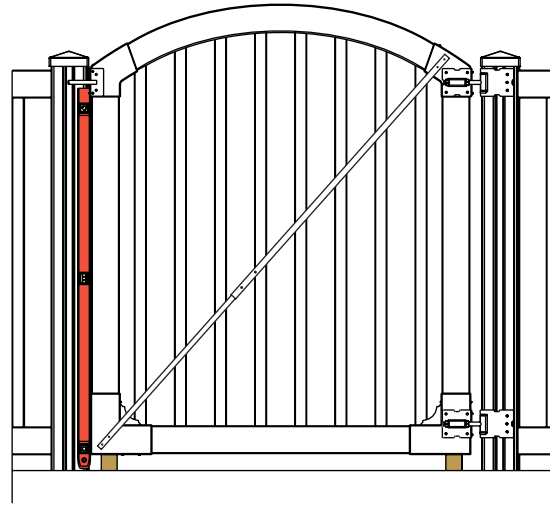
STEP 9.1

► Fasten the gate hinges to the inside of the post using (8) 2" black self-drilling stainless steel screws as illustrated.



STEP 9.2

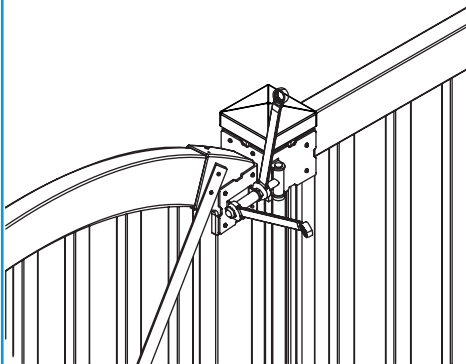
► Using a level, make sure that the gate fits and functions with its latching post.



STEP 9.3

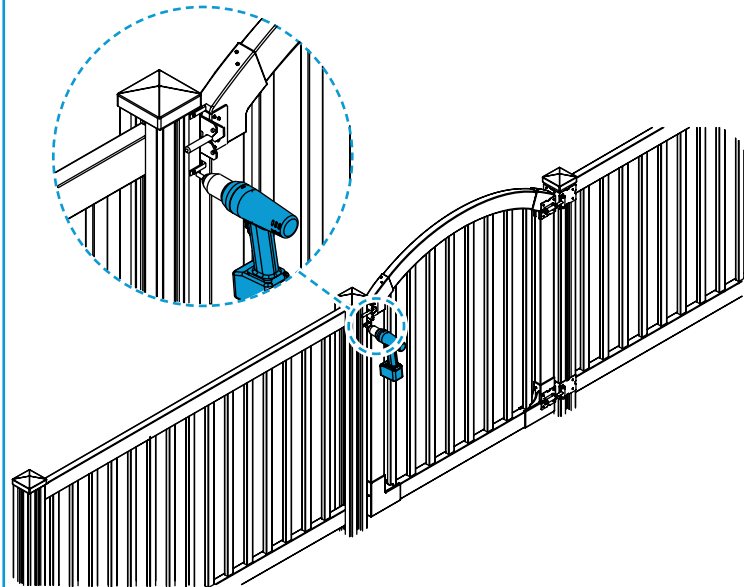
► The hinges can be adjusted moderately to level the gate's alignment with the post.

Note: Adjust the spring tension in the hinges as necessary. Use the 4" Tension Pin (N).



STEP 9.4

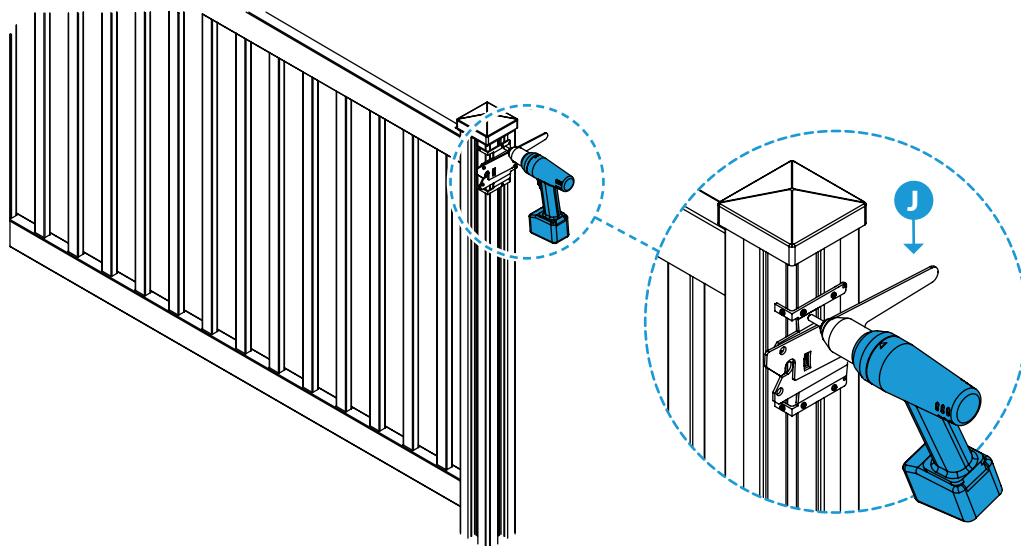
► The latch is designed for left and right hand applications. Temporarily remove the spring, bolt, and reverse paddle portion as necessary.



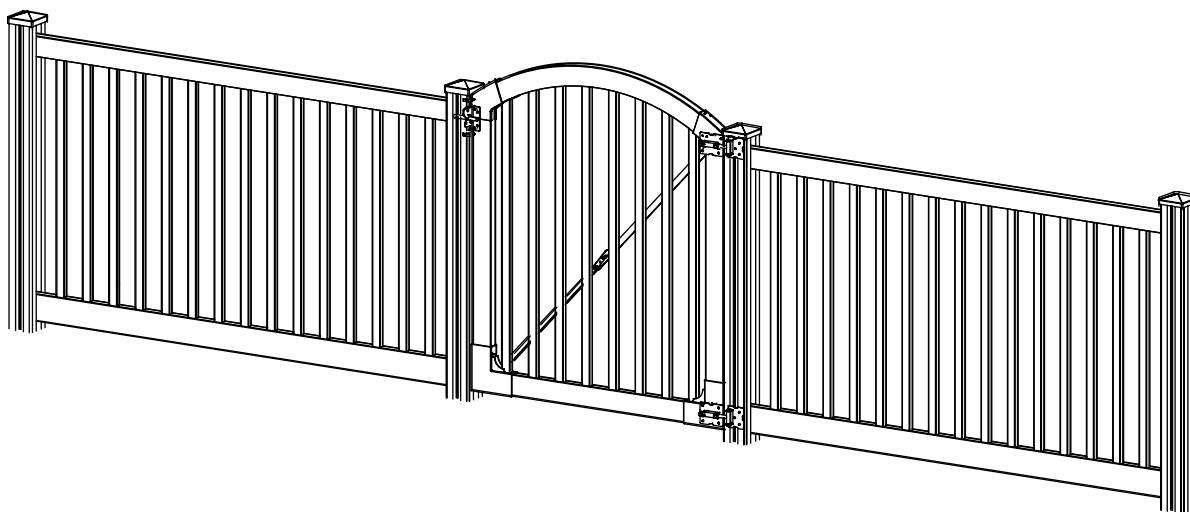
STEP 10: INSTALL GATE LATCH

STEP 10.1 ▶

- ▶ Align and fasten the Latch Catch (J) to fit and function with the gate finger by using (6) 1¼" black self-drilling stainless steel screws.



- ▶ Congratulations! You did it! Go grab a beverage of your choice, admire your handiwork, and show us what you got by entering our annual photo contest!



WamBam

Fun Name. Serious Fence.

TRADITIONAL



6935 Reames Rd. Ste. K.
Charlotte, NC 28216



hmmm@wambamfence.com

704-892-5222
877-778-5733



WWW.WAMBAMFENCE.COM