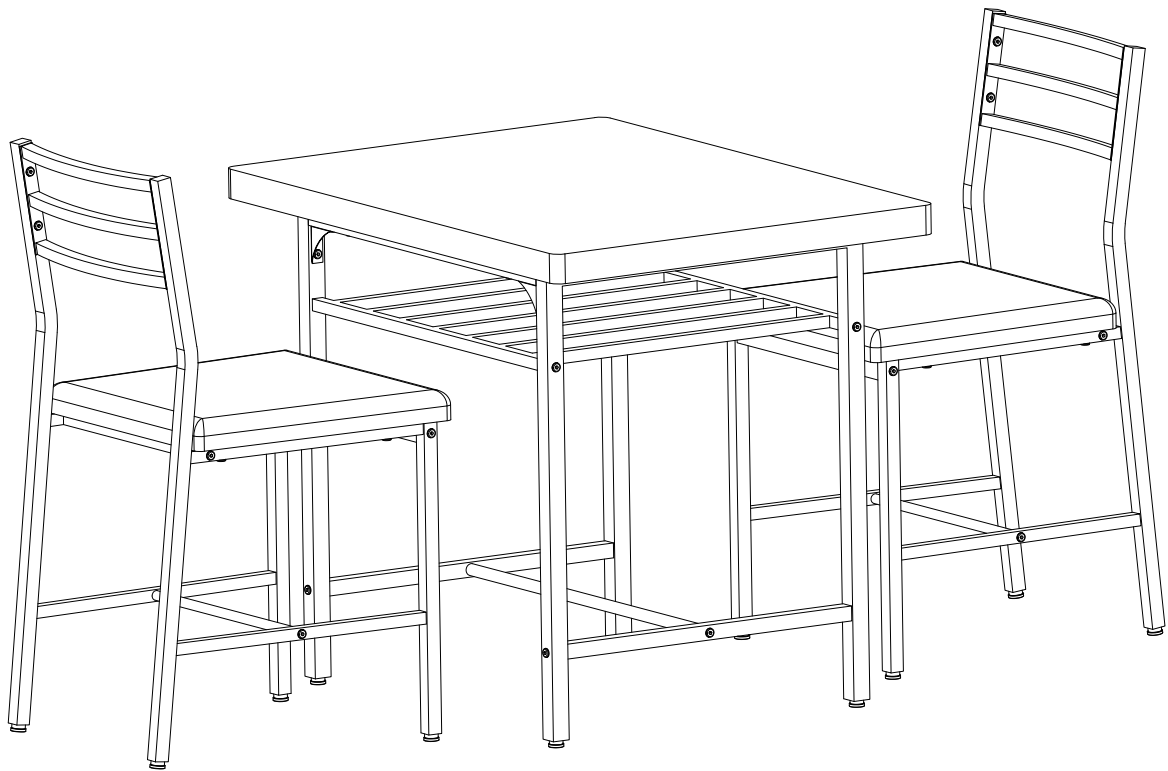
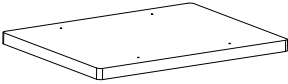
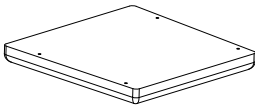
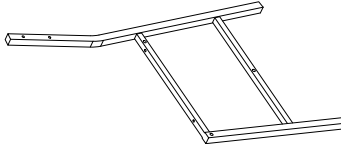
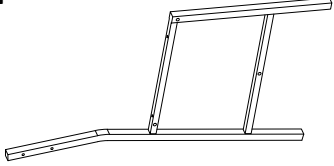



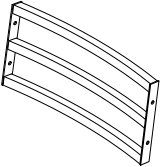
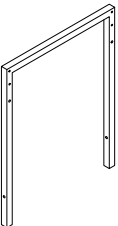
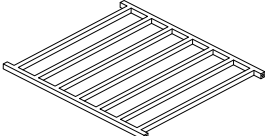

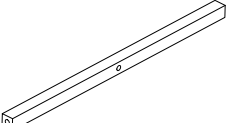

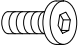
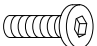
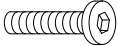
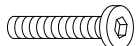
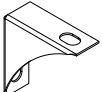
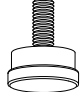
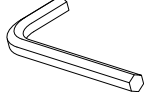


# Installation & Assembly

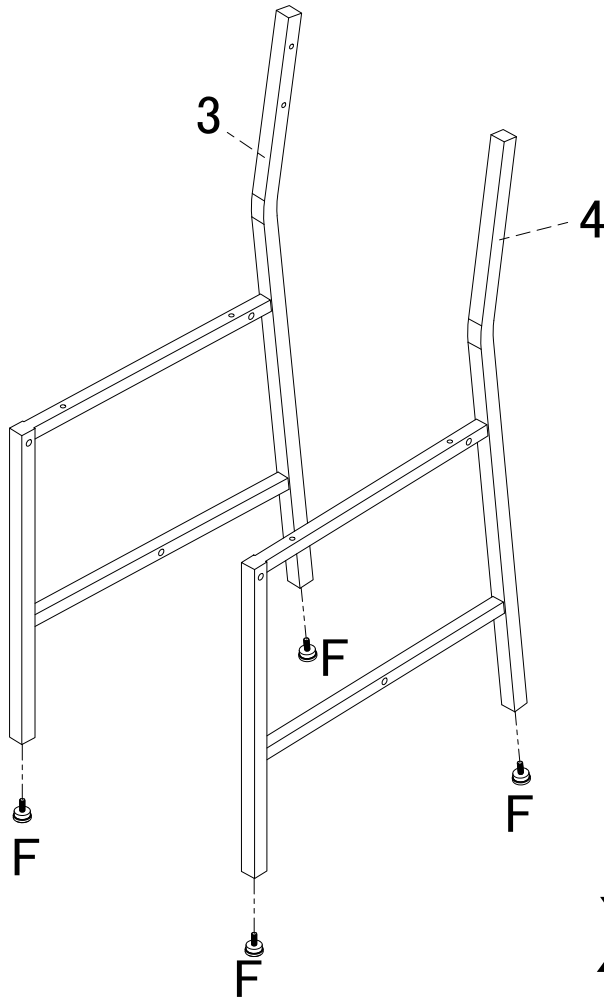


**Please don't tighten the screws completely  
and go back later for a final tightening of all the  
screws after pieces are aligned with each other.**

# Assembly Instructions

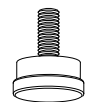
<b>1</b>  <b>1pc</b>	<b>2</b>  <b>2pcs</b>	<b>3</b>  <b>2pcs</b>	<b>4</b>  <b>2pcs</b>
<b>5</b>  <b>2pcs</b>	<b>6</b>  <b>2pcs</b>	<b>7</b>  <b>2pc</b>	<b>8</b>  <b>2pcs</b>
<b>9</b>  <b>2pcs</b>	<b>10</b>  <b>1pc</b>	<b>11</b>  <b>2pcs</b>	<b>12</b>  <b>2pcs</b>
<b>13</b>  <b>1pc</b>			
<b>A</b>  <b>M6*12mm</b> <b>16pcs</b>	<b>B</b>  <b>M6*32mm</b> <b>8pcs</b>	<b>C</b>  <b>M6*38mm</b> <b>16pcs</b>	<b>D</b>  <b>M6*45mm</b> <b>14pcs</b>
<b>E</b>  <b>4pcs</b>	<b>F</b>  <b>12pcs</b>	<b>G</b>  <b>1pc</b>	

1



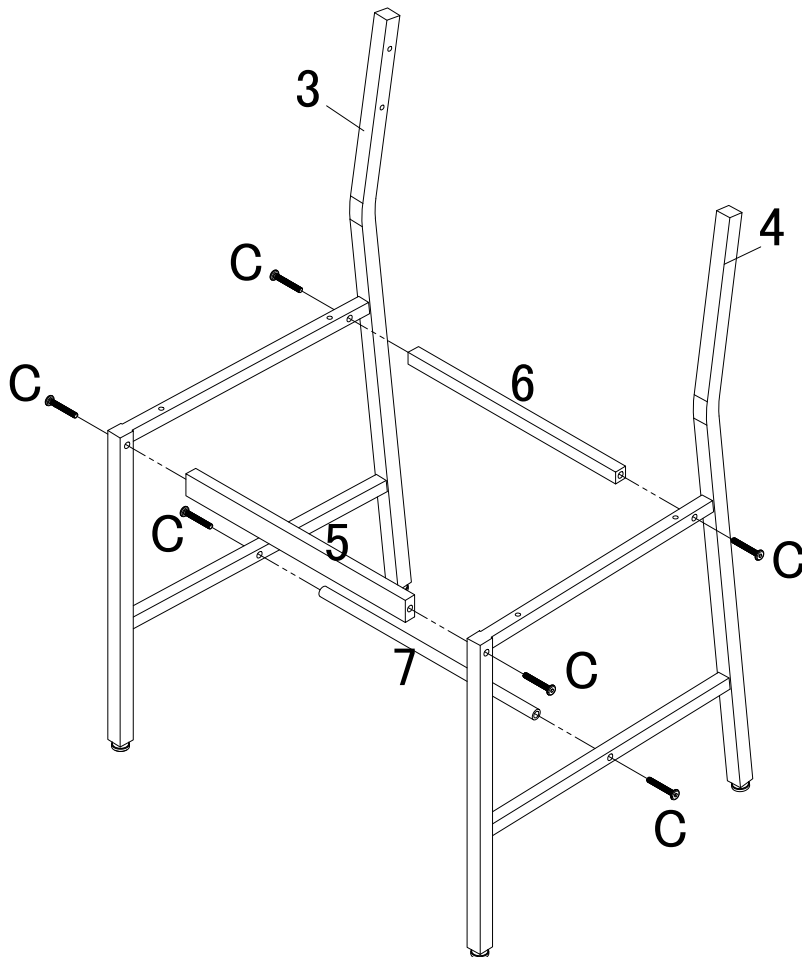
X2

F



8PCS

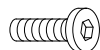
2



X2

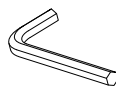
C

M6\*38mm Screw

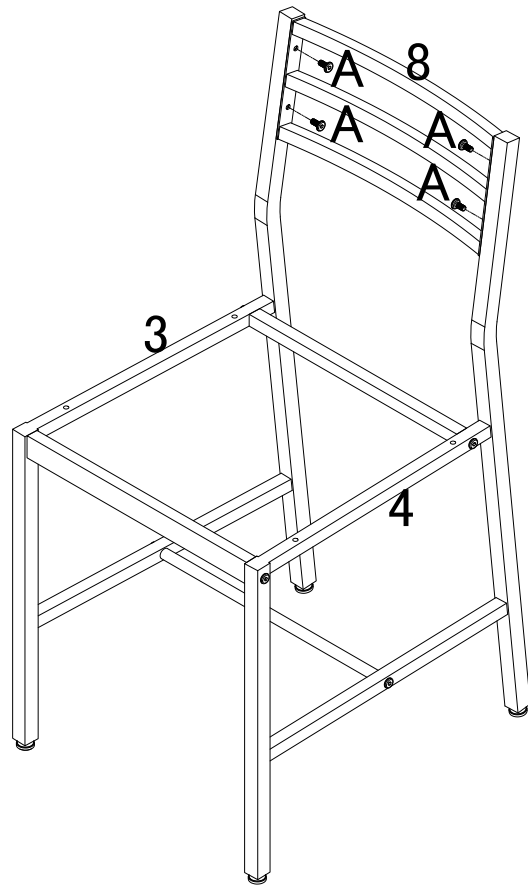


12PCS

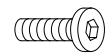
G



3

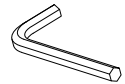


A M6\*12mm Screw



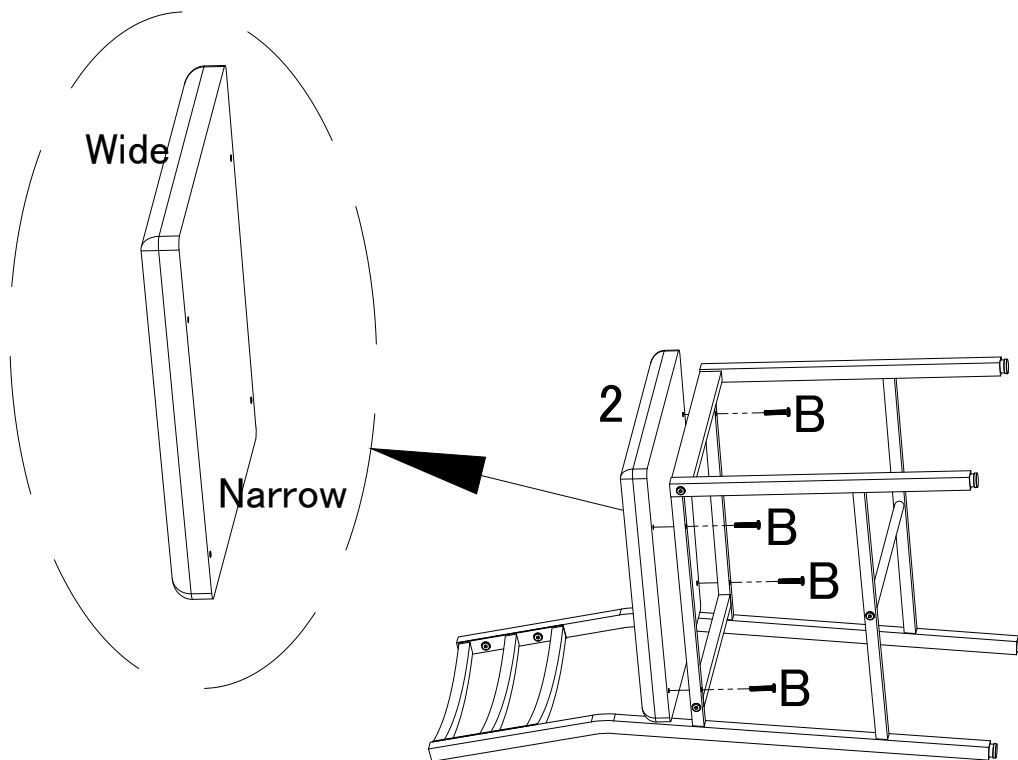
8PCS

G

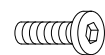


X2

4

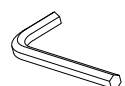


B M6\*32mm Screw



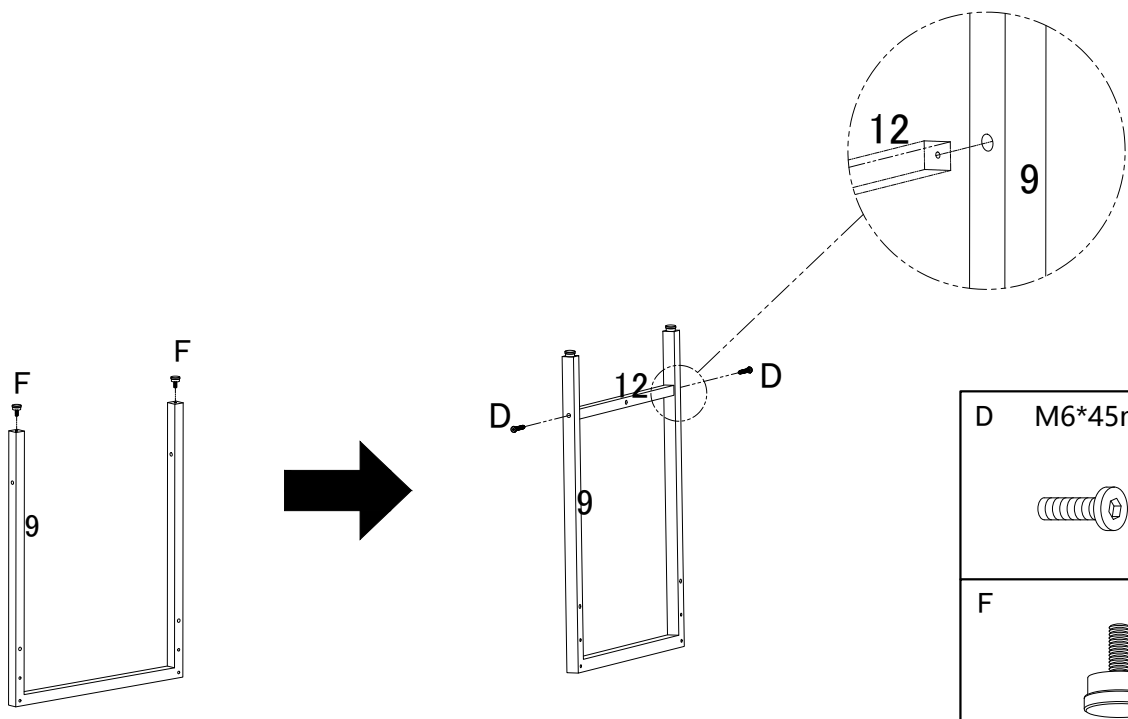
8PCS

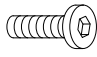

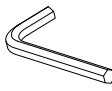
G



X2

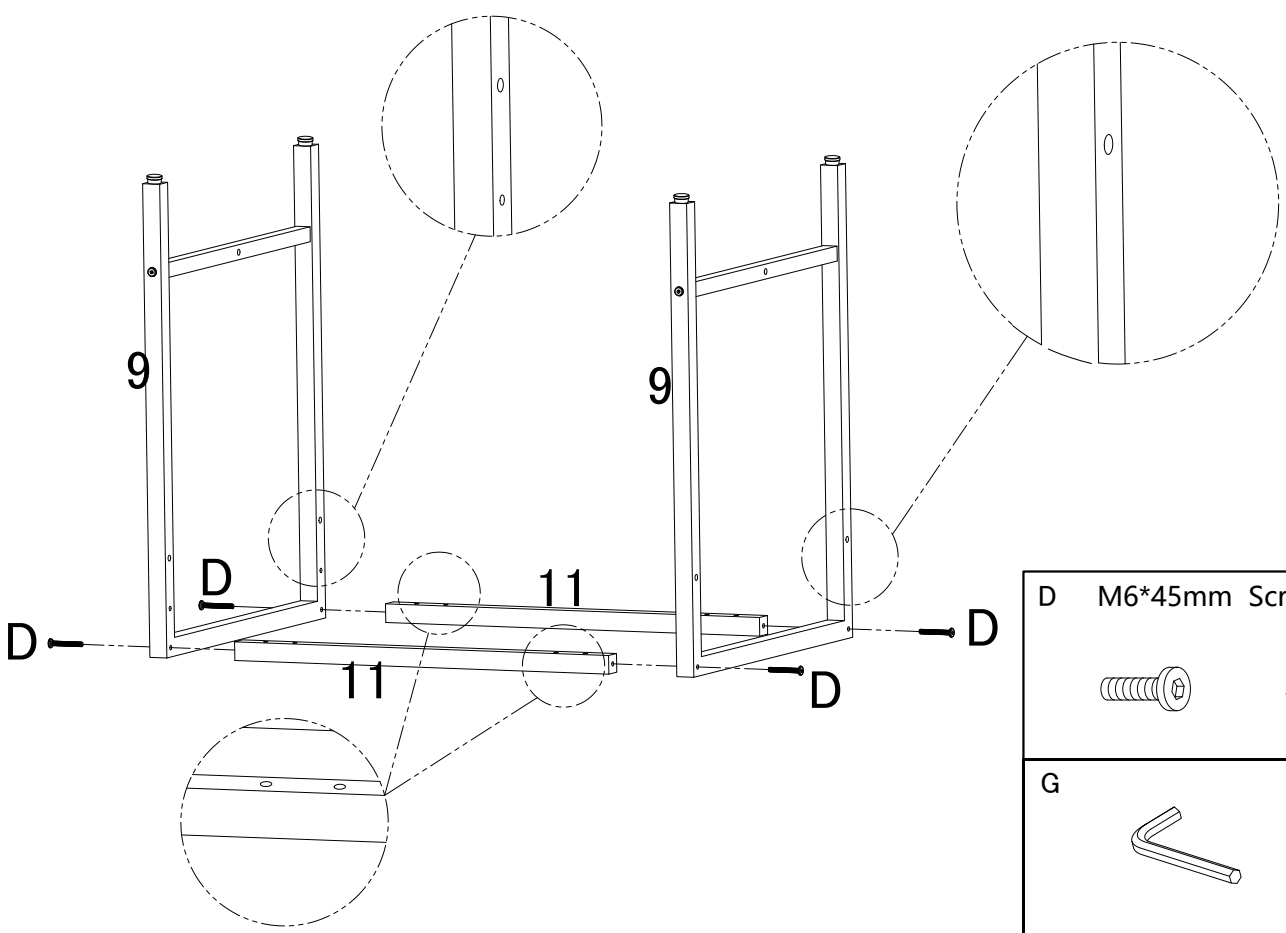
5

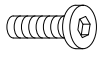
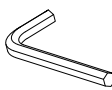


D	M6*45mm Screw	
		4PCS
F		4PCS
G		

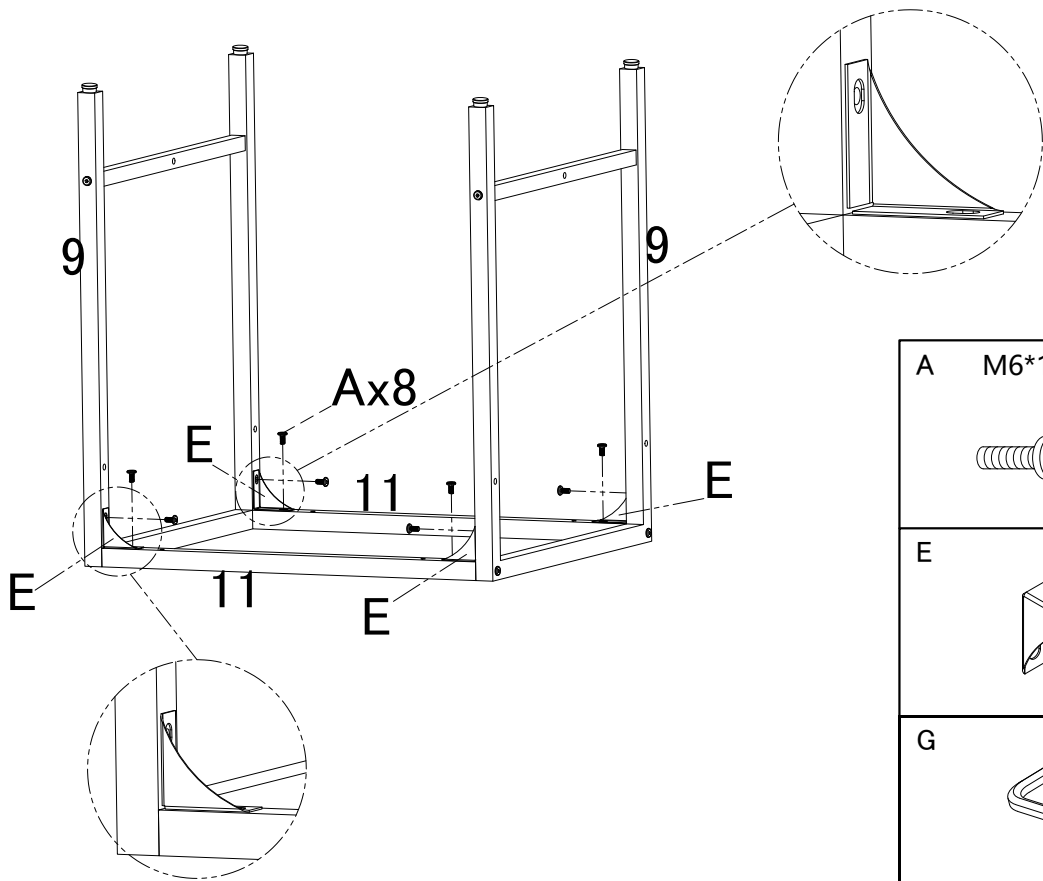
X2

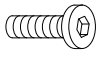
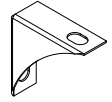
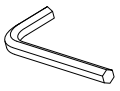
6



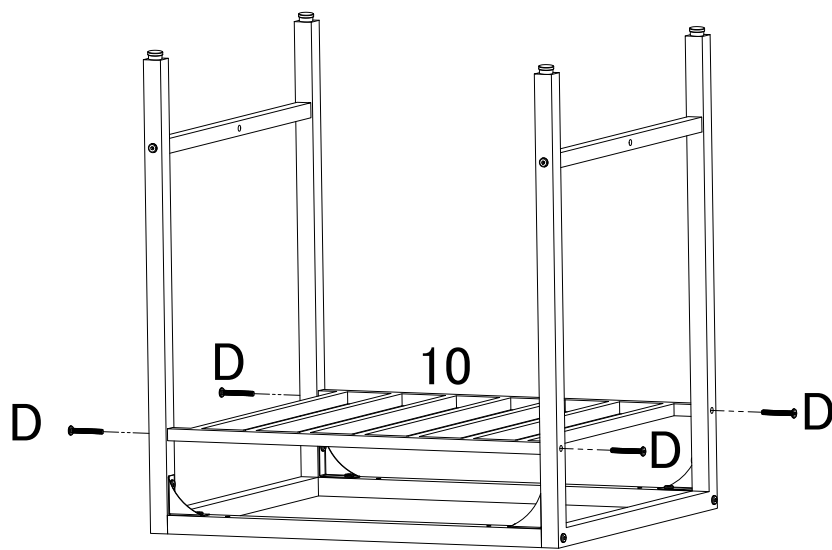
D	M6*45mm Screw	
		4PCS
G		

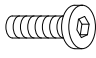
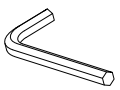
7



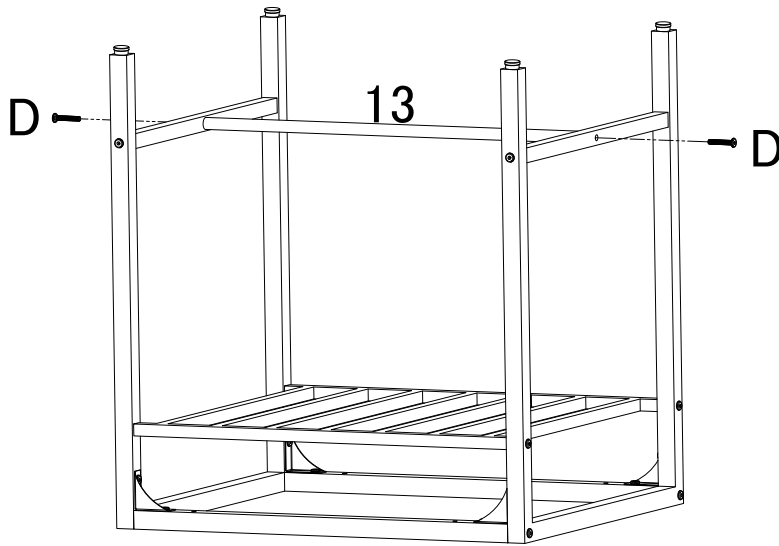
A	M6*12mm Screw		8PCS
E			4PCS
G			

8

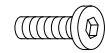


D	M6*45mm Screw		4PCS
G			

9

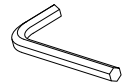


D M6\*45mm Screw

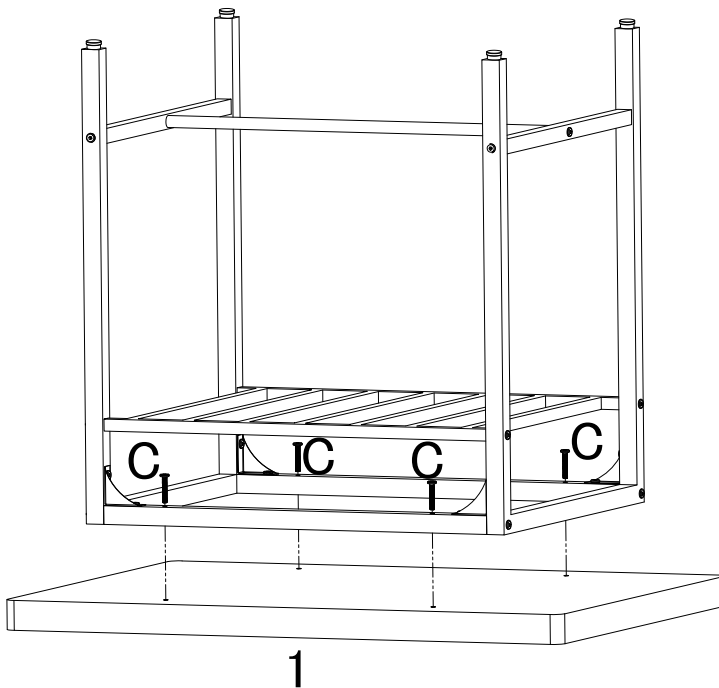


2PCS

G



10



C M6\*38mm Screw



4PCS

G

