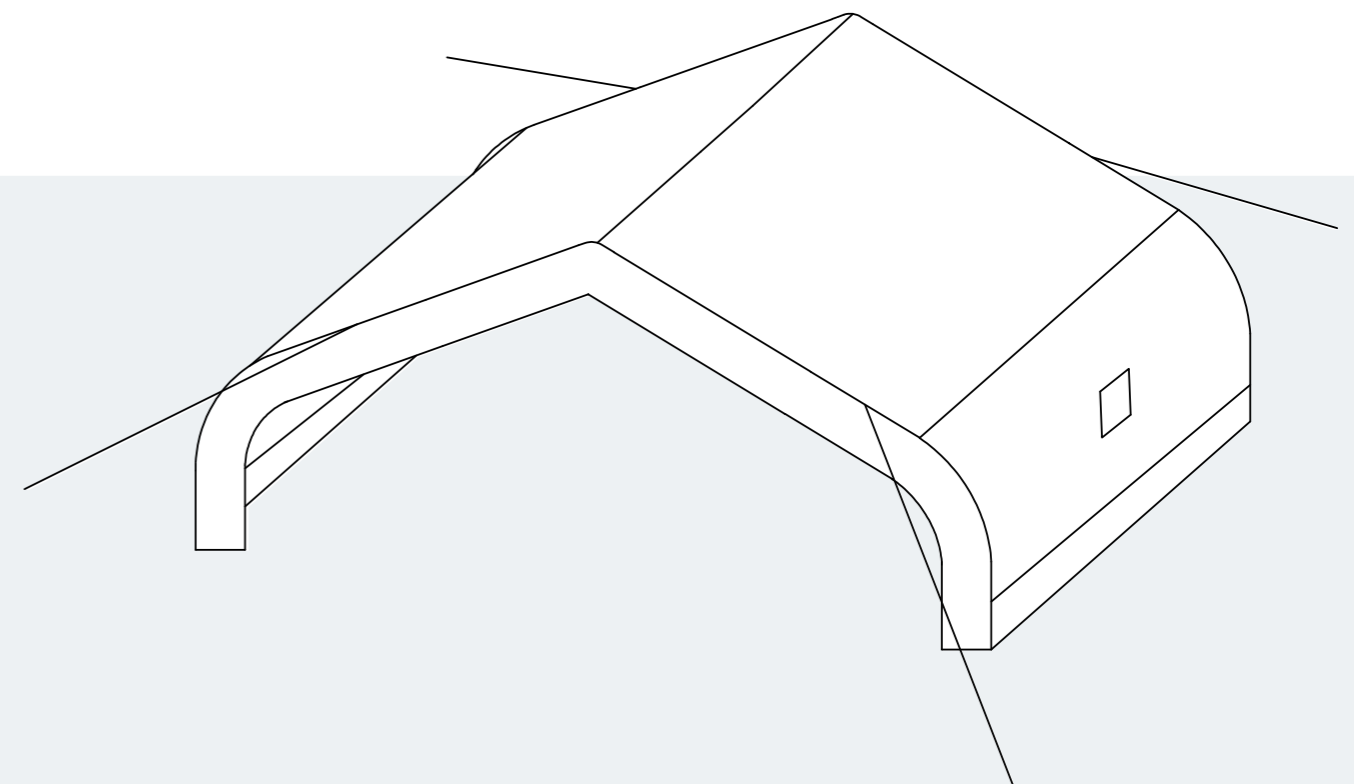


Carport

Assembly Instruction – Please keep properly for future reference.

If you find any missing boxes, damaged parts, or accessory shortages, please contact the customer service team of your purchasing channel immediately. We will resolve the issue as quickly as possible.



CONTACT US

- Email: service@grandtunnel.com

In order to receive assistance more quickly, please provide

THE FOLLOWING INFORMATION:

- Order number
- Purchase platform
- Purchase date
- Detailed description of the issue along with photos (if applicable)

Important – Please read these instructions carefully before starting the installation.

SKU:
BC12YS-2A1A1
BC12YS-2A1A2

V1.1

EN

Carport

Before Assembly



Thank you for choosing this product!

To ensure safe use and long-term maintenance, please read this manual carefully and keep it properly for future reference.

Packaging Notice:

1. Multi-Box Shipping Notice

This product is packaged in 2 separate boxes, which may be delivered in batches. To avoid missing parts or installation issues, please ensure all boxes have been received before unpacking and assembling.

2. Box and Packaging Verification

Each box is labeled with a corresponding number. Please refer to the packing list on the next page of this manual to verify that all boxes have been received.

If you find any missing boxes, damaged parts, or accessory shortages, please contact the customer service team of your purchasing channel immediately. We will resolve the issue as quickly as possible.

Precautions for installation

- Please feel free to contact our customer support if you need any help or receive damaged or missing parts.
- Please check the contents of the package for use during installation.
- Please read the instruction manual carefully and familiarize yourself with the operation steps for easy installation.
- Please do not place the product in a place with excessive wind.
- It is recommended that the product be assembled by at least two people.
- When the wind gust reaches or exceeds level 5, both roller shutters must be rolled up.

WARNING

Manufacturer and seller expressly disclaim any and all liability for personal injury, property damage, or loss, whether direct, indirect, or incidental, resulting from the incorrect attachment, improper use, inadequate maintenance, or neglect of this product.

Heavy Duty Carport Safety Warnings



WARNING

- Improper installation or use may result in serious injury or property damage.
- This carport must be fully assembled and securely anchored to a solid, level surface before use.
- Remove Tarpaulin Before Storms & Heavy Snow
- Accumulated snow, ice, or debris must be removed immediately to prevent structural failure.
- Do NOT climb, sit, hang, or stand on the frame or canopy cover.
- Keep children and pets away from the carport at all times.

CAUTION

- At least two adults are required for installation.
- Do NOT install or dismantle the carport in windy conditions.
- Secure firmly with ground stakes, expansion bolts or other robust fastening methods.
- Check all bolts, connectors, and anchors periodically for tightness.
- Do NOT overload the frame or cover with additional weight.
- Sharp edges may be present during assembly. Wear protective gloves.

NOTICE

- This product is intended for outdoor use only.
- This carport is a temporary structure and not designed as a permanent building.
- Sun Exposure Causes Aging – Inspect & Maintain Regularly
- Do NOT use open flames, heaters, or grills inside the carport.
- Stop use immediately if tarpaulin damage, structural bending or missing parts are found.
- Use only manufacturer-recommended replacement parts and accessories.

Customer Service Guide



Thank you for choosing our product! We are committed to providing you with excellent service. If you find any missing parts, damaged packaging, or product damage after receiving all packages, please follow the steps below to quickly contact our customer service team. We will do our best to resolve your issue.

1. Missing Parts

Verify Parts:

1. Refer to the “Parts List” in the manual to verify the name, specifications, and quantity of the missing parts.
2. Take a clear photo of the parts list and mark the missing parts with detailed information, e.g., “Missing 5 pieces of M6×30mm screws.”

Contact Us:

By Email:

Send an email to service@grandtunnel.com, with the subject line “Missing Parts Issue.” Include the following in the email:

- A description of the missing parts and a photo of the parts list.
- Order details (order number, purchase platform, purchase date).

2. Product or Packaging Damage

If it affects normal use:

Steps:

1. Take clear photos or videos showing the damaged parts and the extent of the damage (multi-angle shots are recommended).
2. Email the photos/videos along with order details to service@grandtunnel.com, with the subject line “Product Damage Issue.”

Resolution:

After verification, we will arrange for a replacement part, product exchange, or refund as quickly as possible.

If it does not affect normal use:

Steps:

1. Contact our customer service team (by email: service@grandtunnel.com).
2. Provide a description of the damage and include relevant photos or videos.

Resolution:

We will provide repair guidance or an appropriate compensation plan based on the specific situation.

Contact Us:

Customer Service Email: service@grandtunnel.com

Helpful Tips

To process your issue efficiently, please prepare the following information:

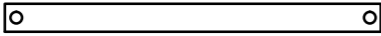

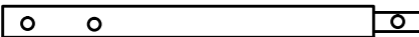
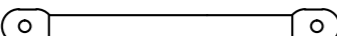
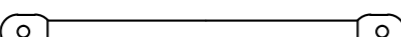
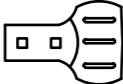
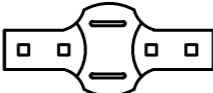

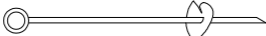



- Order details (order number, purchase platform, purchase date).
- Clear photos or videos.
- We are committed to providing quick and professional solutions, no matter the size of the issue, to ensure your satisfaction.

Thank you for your trust and support!
We hope you enjoy using our product!


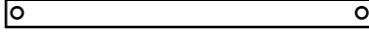


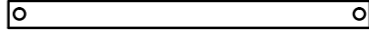

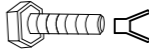
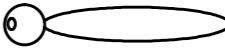

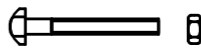
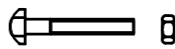
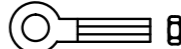
Parts List



Box 1

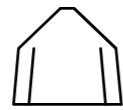
1		x12
4		x8
4A		x4
7		x4
8		x6
A		x8
B		x16
C		x12
L		x4
K		x4
O		x12
M		x1

Box 2

1A		x12
2		x5
2A		x20
3		x12
5		x10
6		x6
D		M6*25mm x12
E		x46
F		M6*40mm x42
G		M8*80mm x32
H		M8*45mm x38
I		M8*50mm x4

Box 2

N



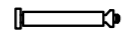
x2

P



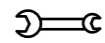
x4

Q



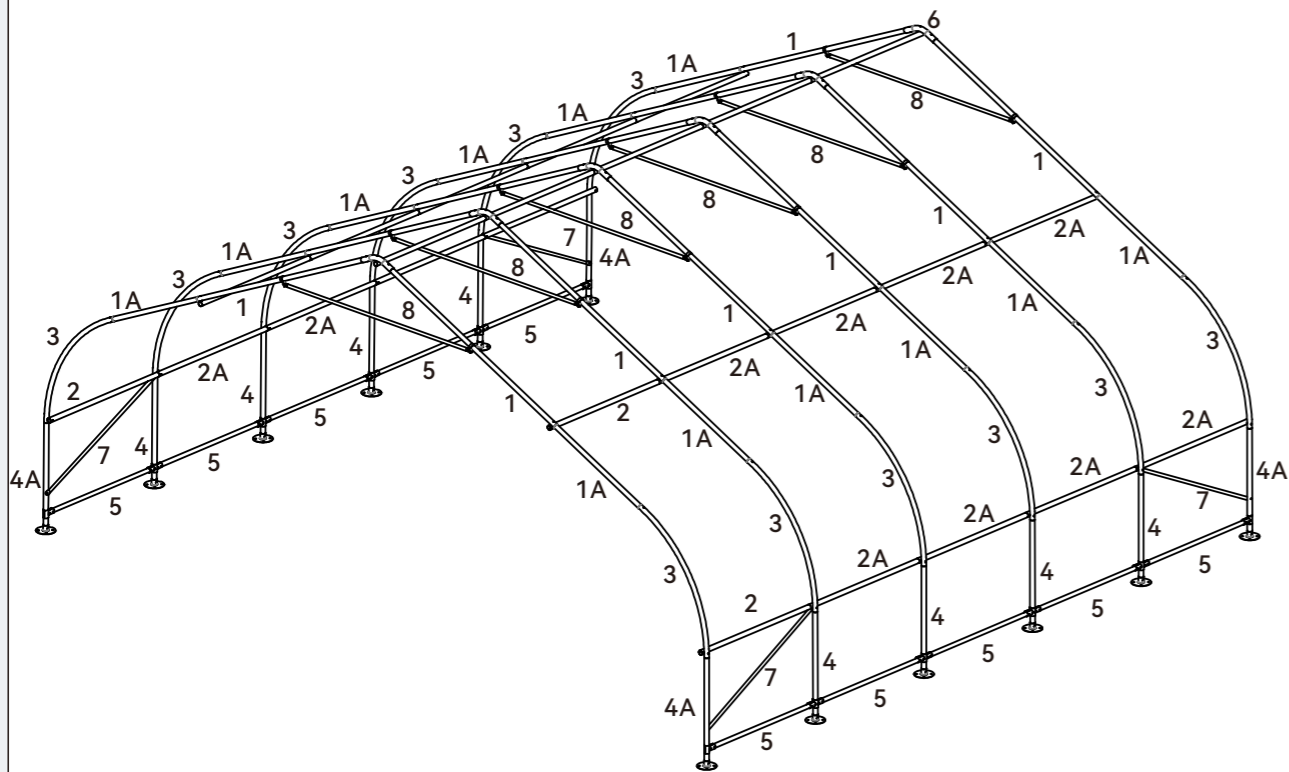
M8*60mm

x48



M6/M8

x2

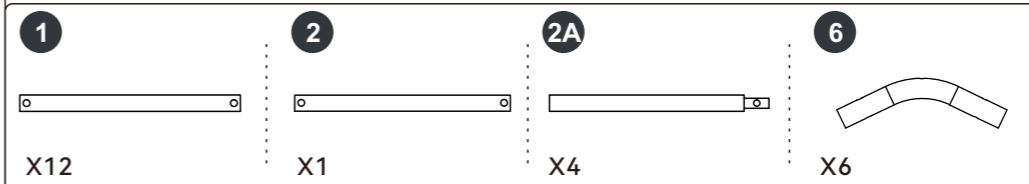
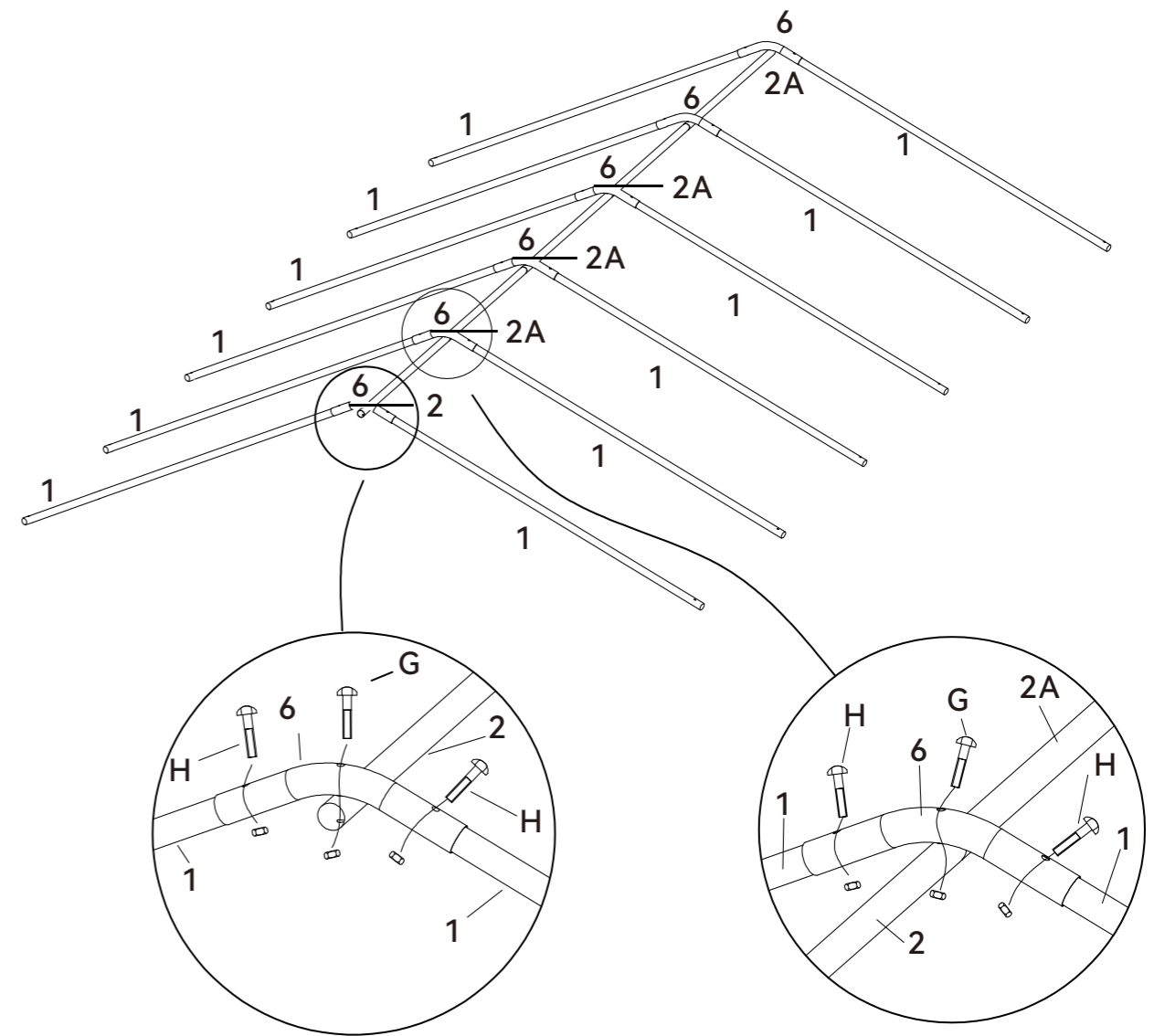
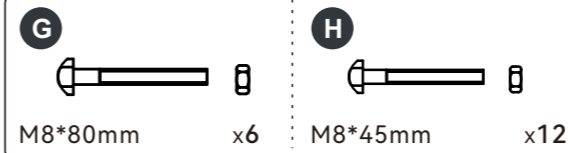


• It's best to pre-locate and lay out all the profiles on the ground before proceeding with the installation

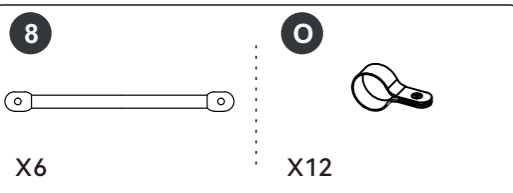
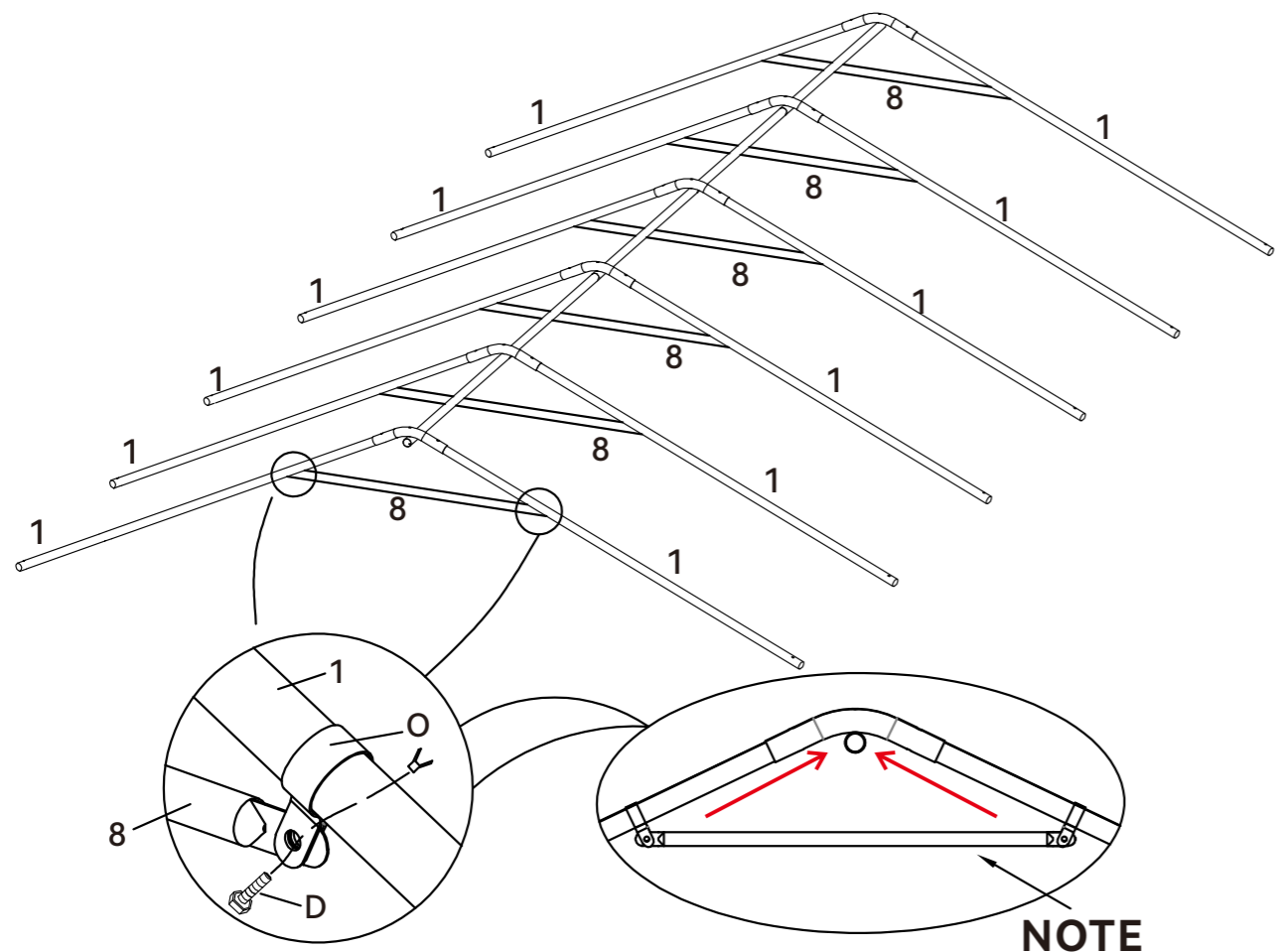
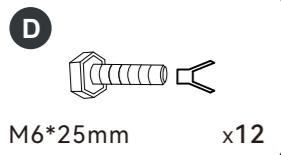
Installation Instructions



Step 1

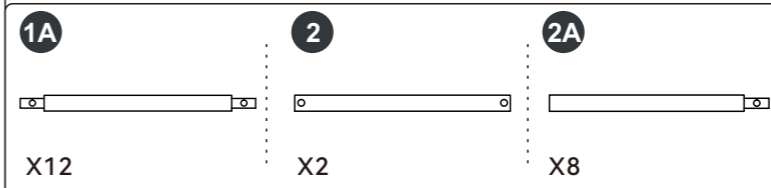
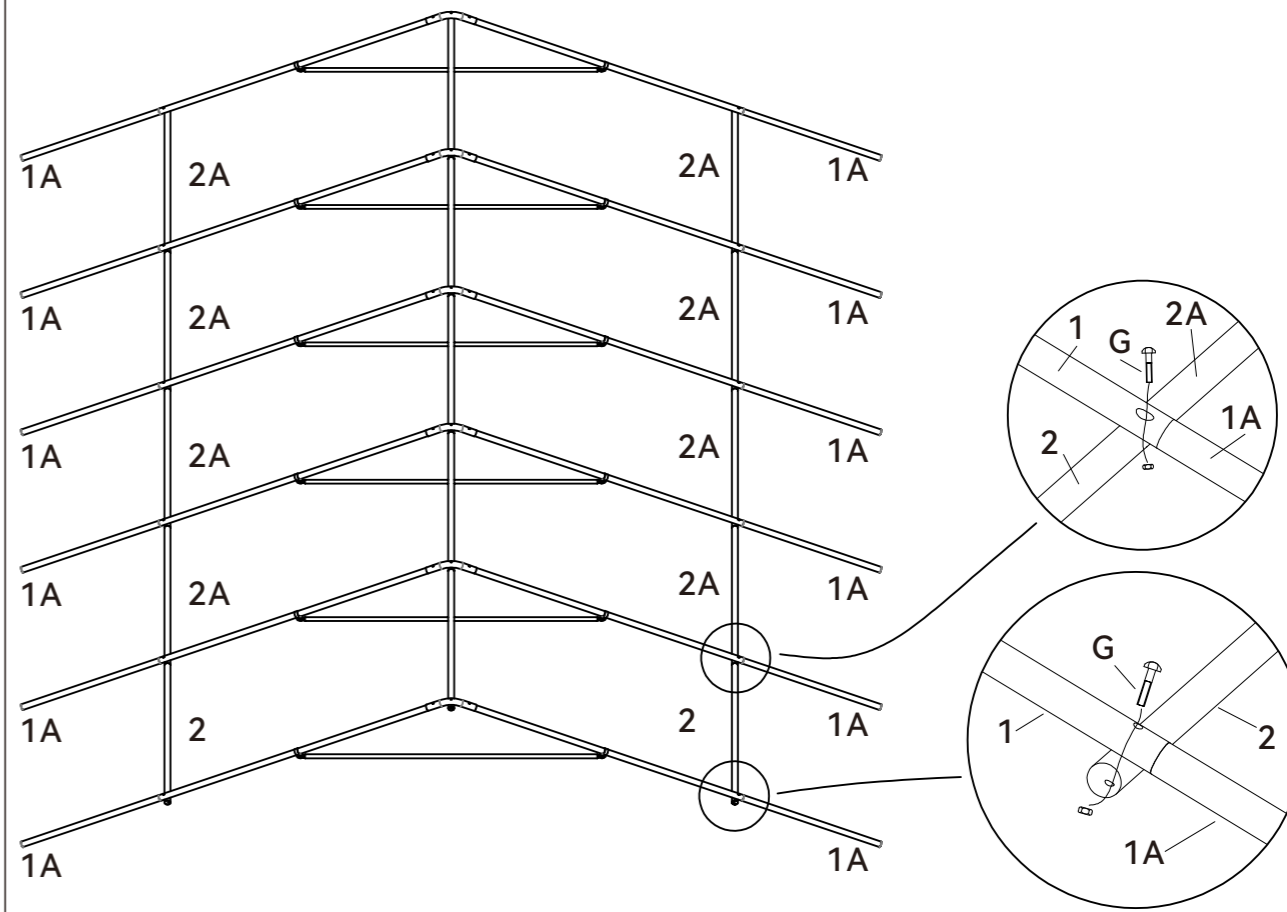
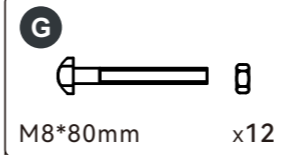


Step 2

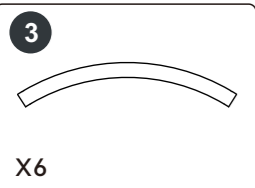
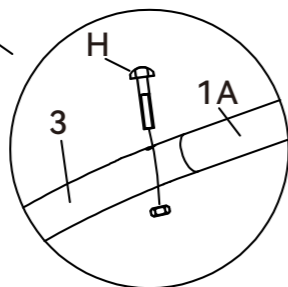
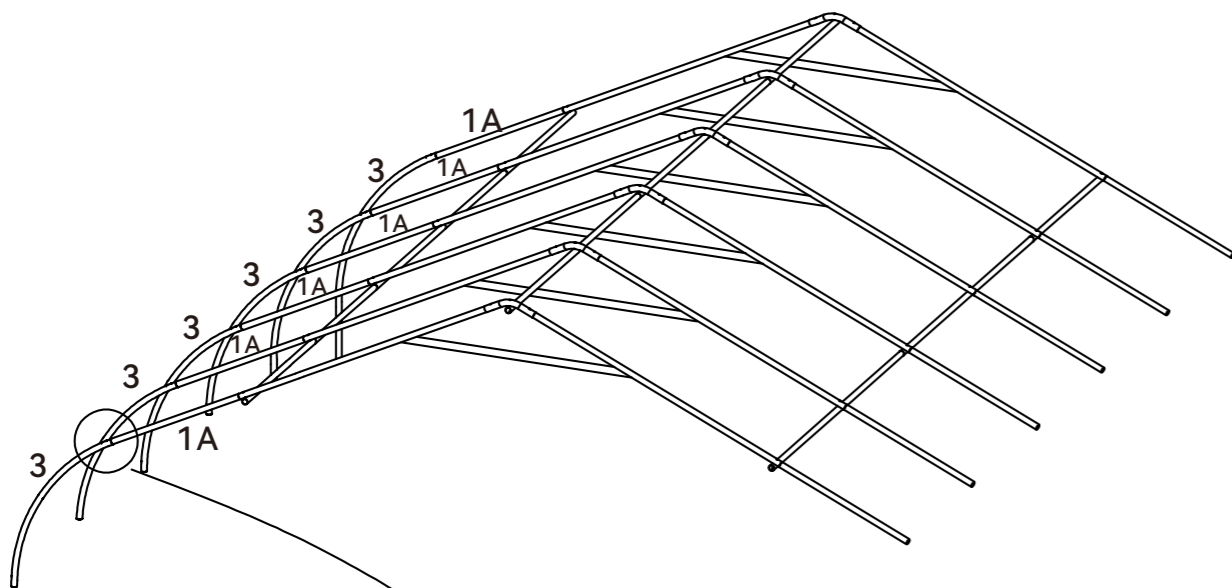
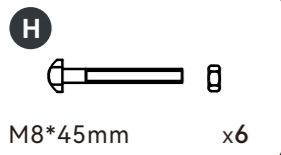


NOTE:
• The distances on both sides are the same.

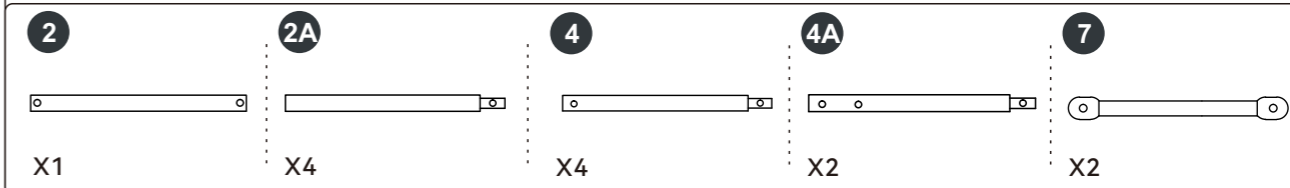
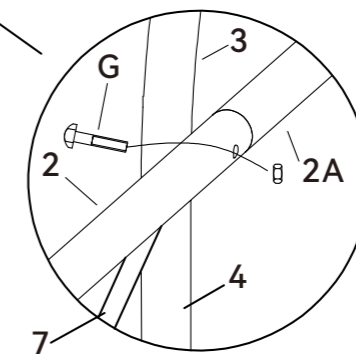
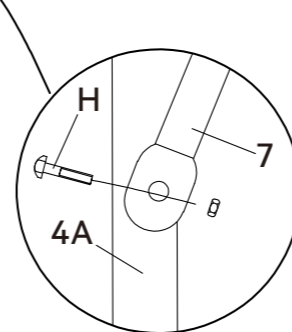
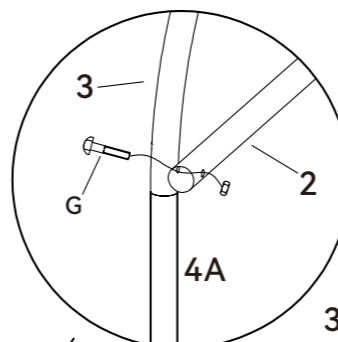
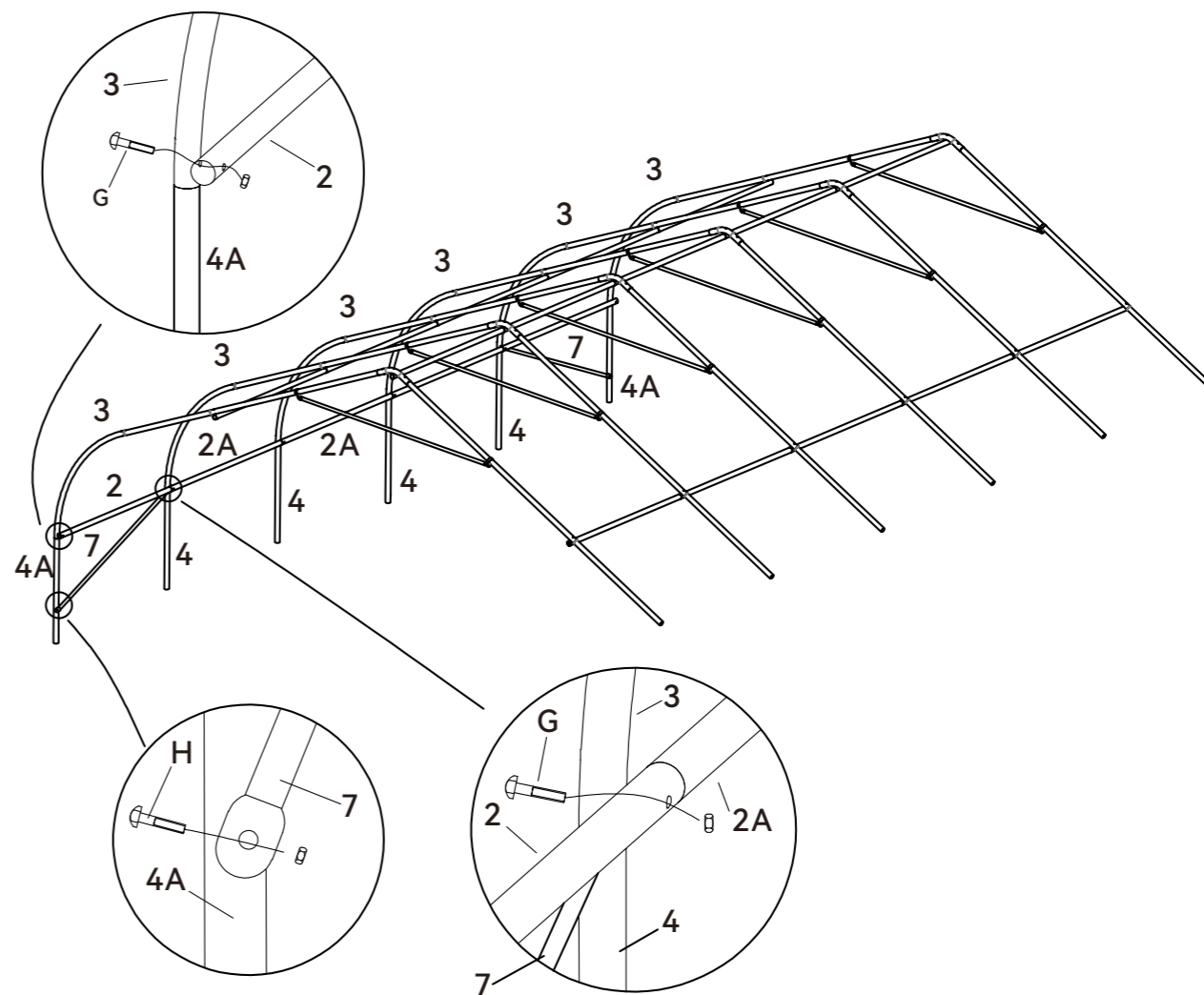
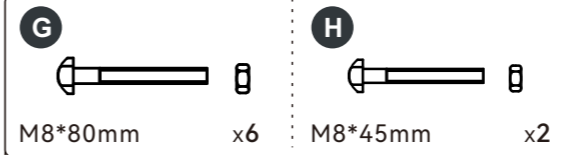
Step 3



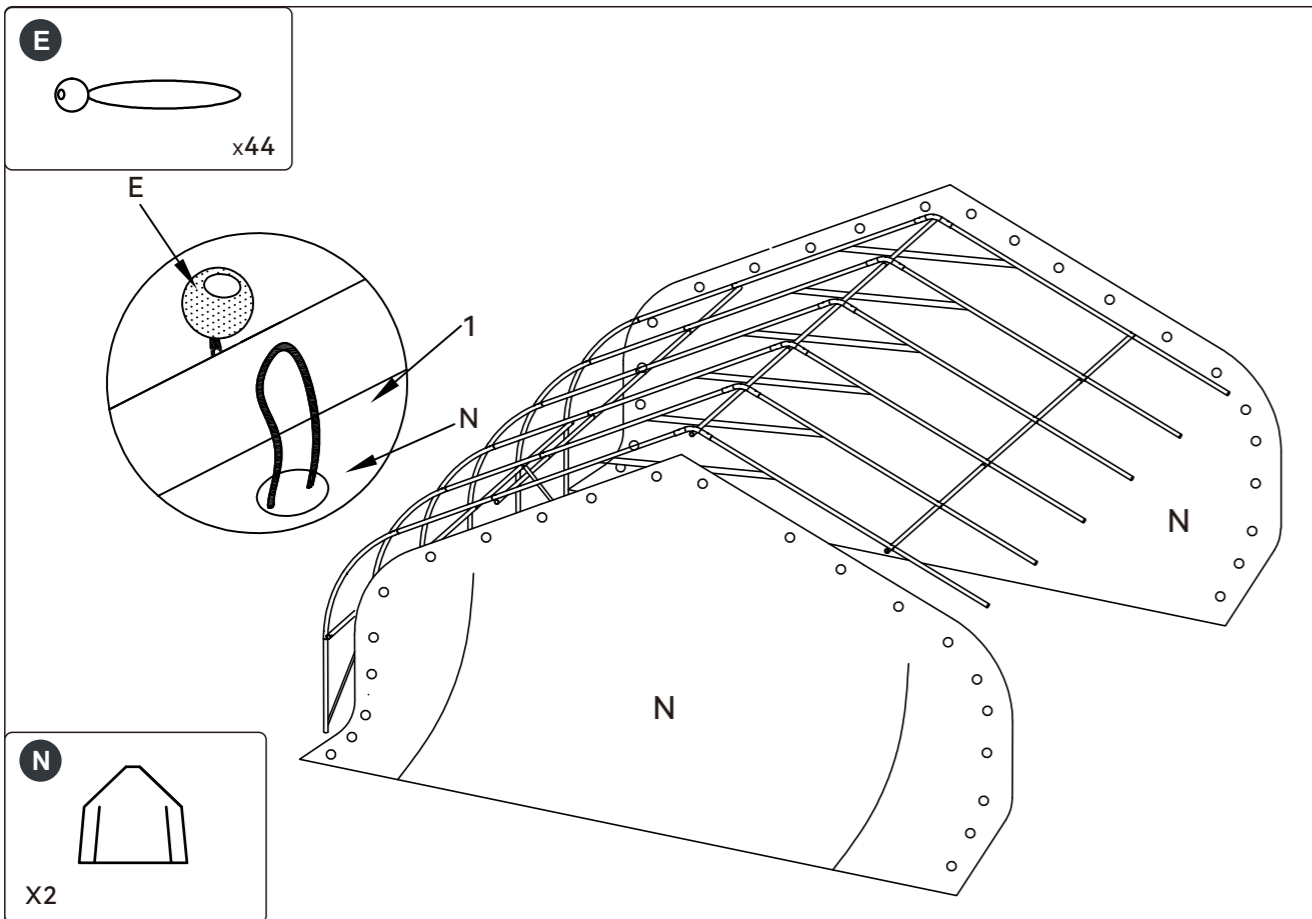
Step 4



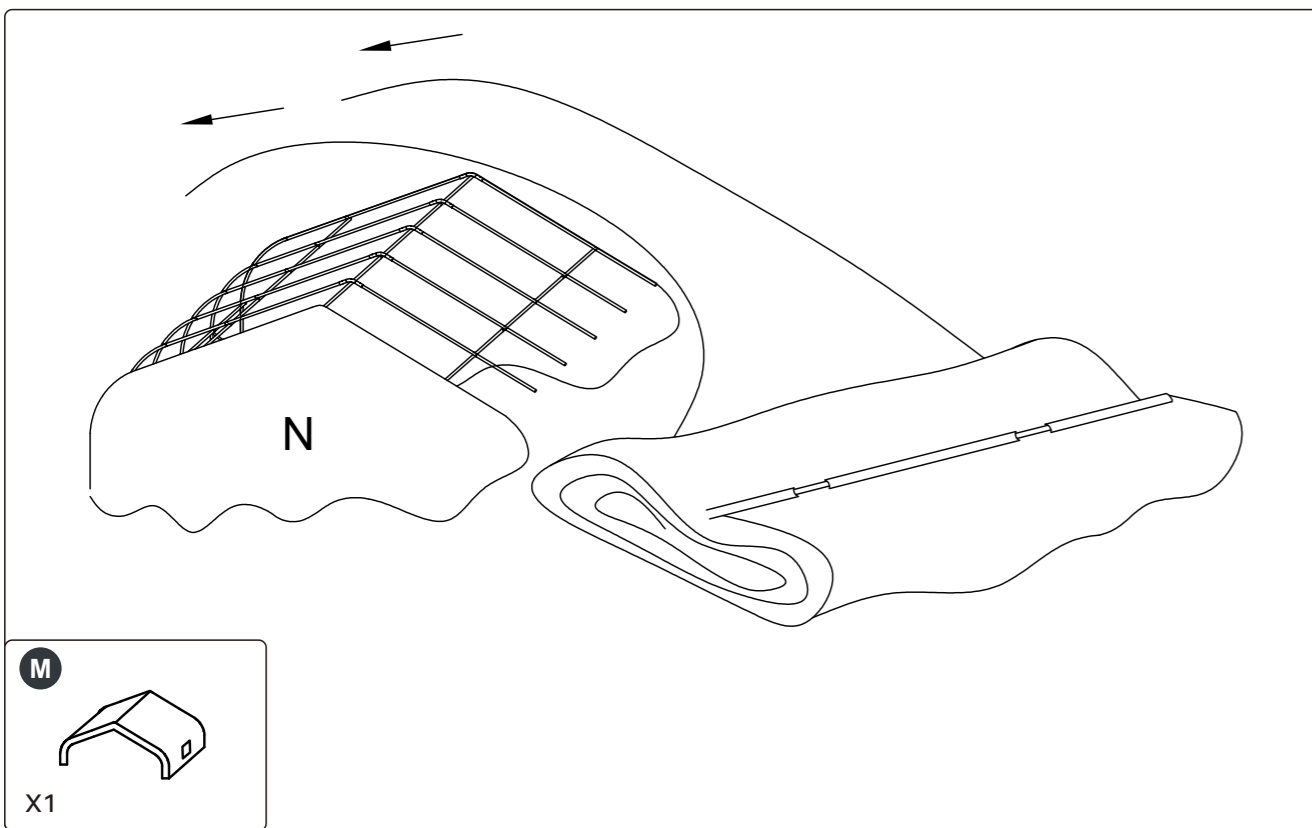
Step 5



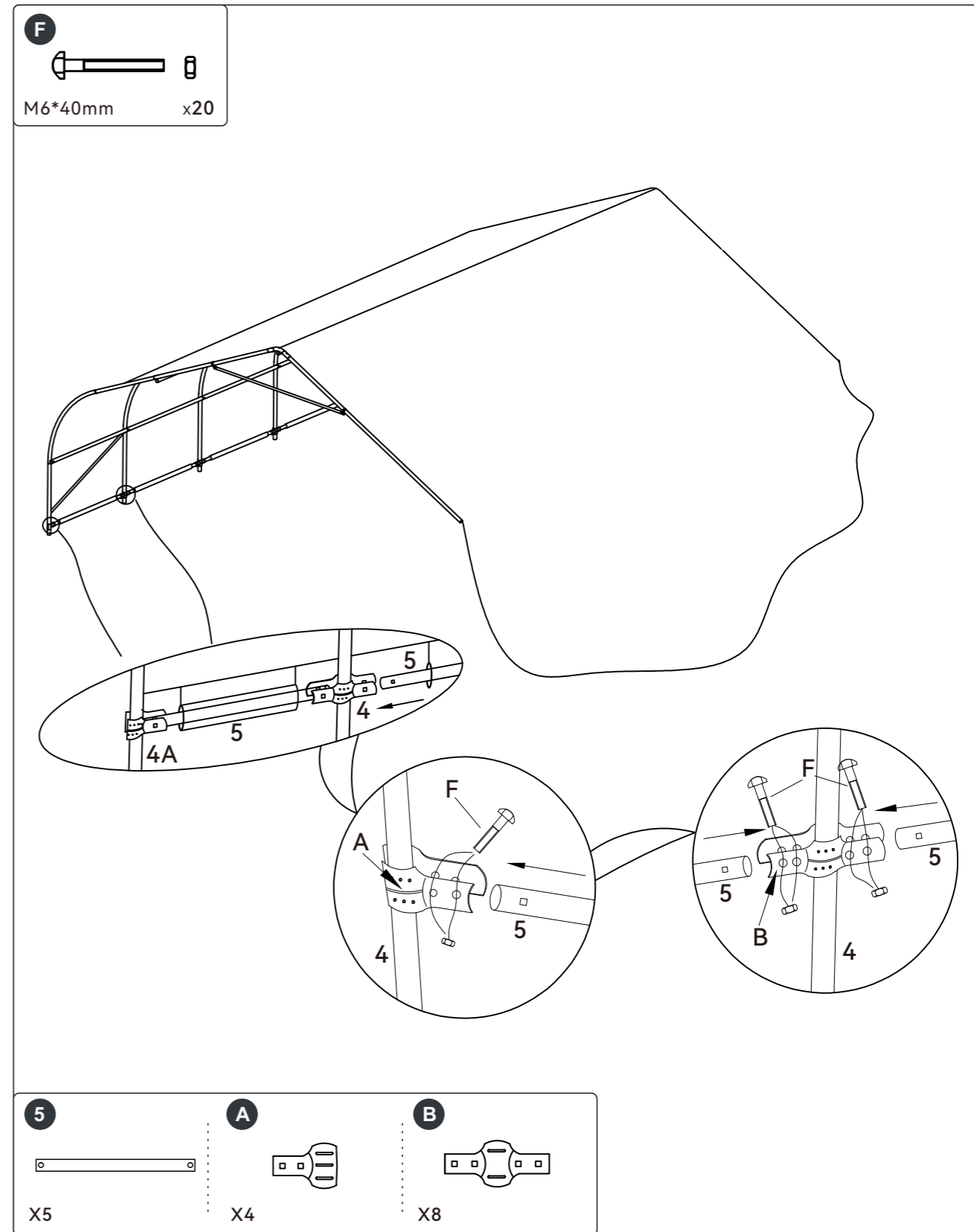
Step 6



Step 7



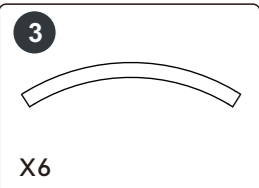
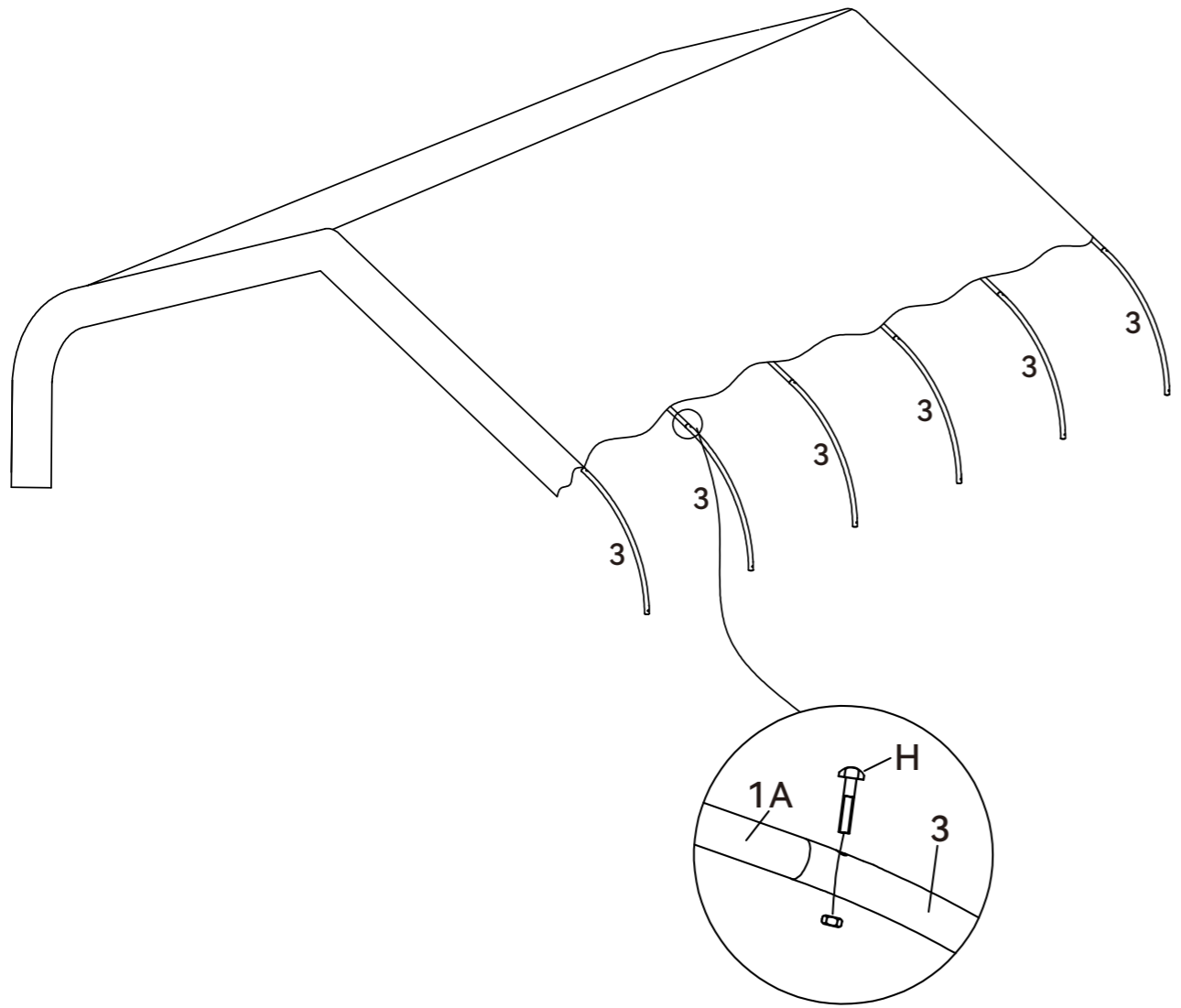
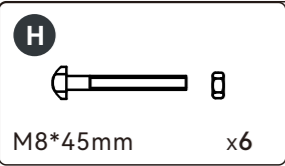
Step 8



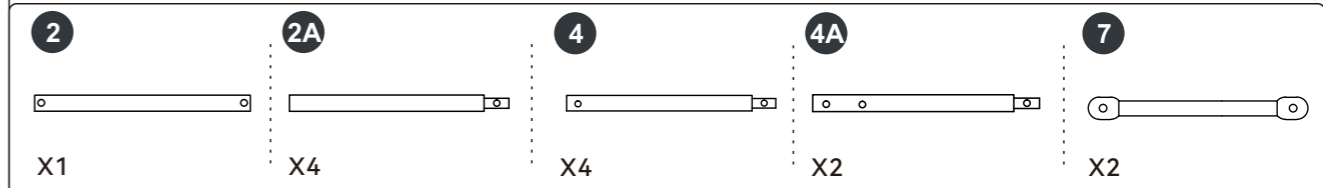
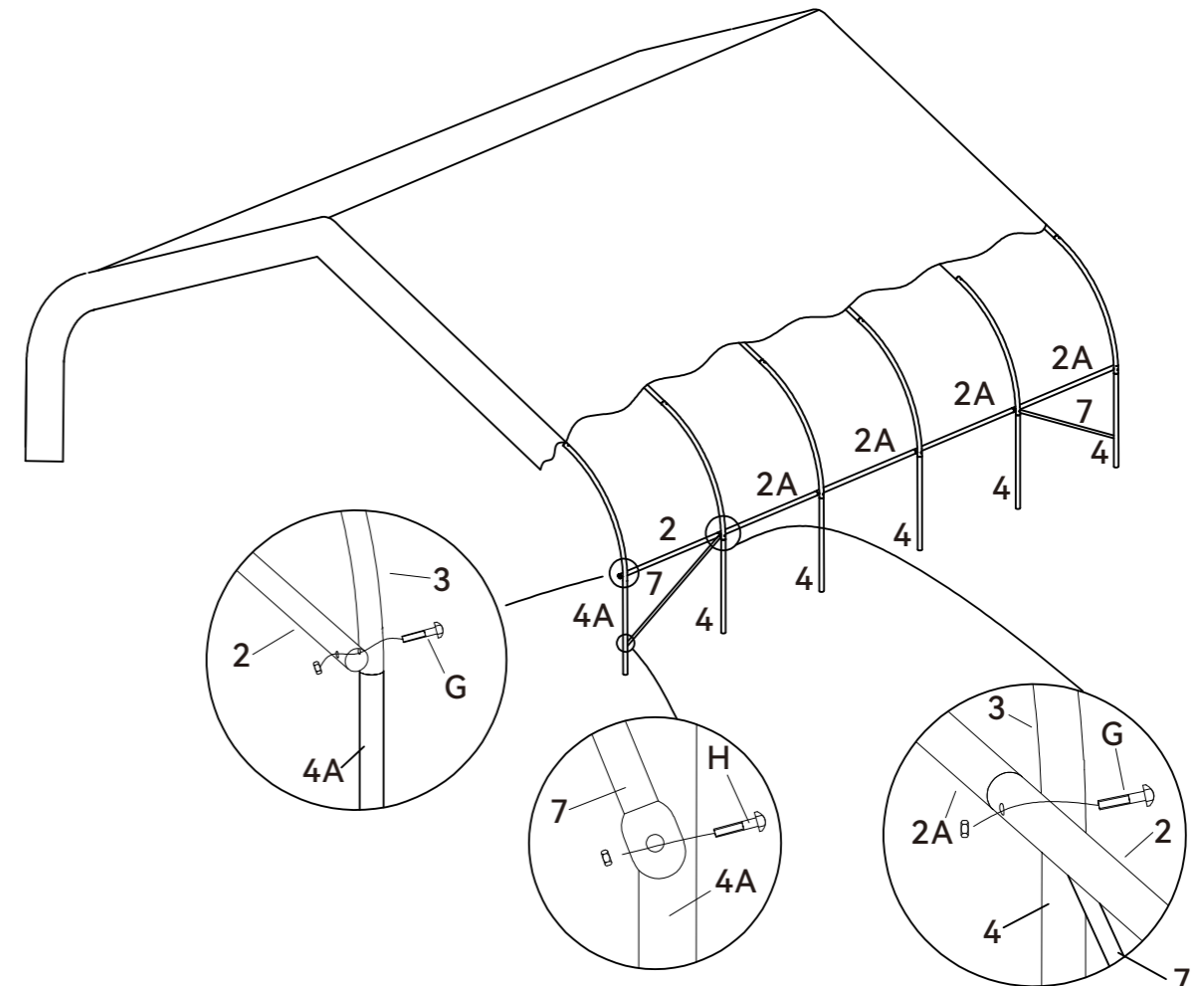
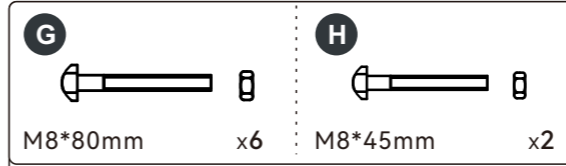
NOTE:

- Don't tighten the nut for now.

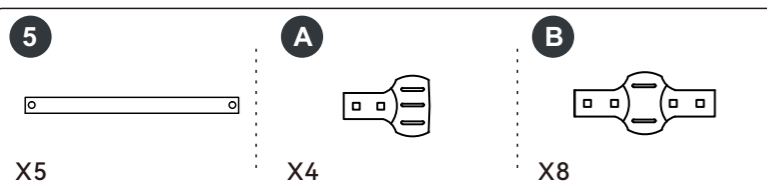
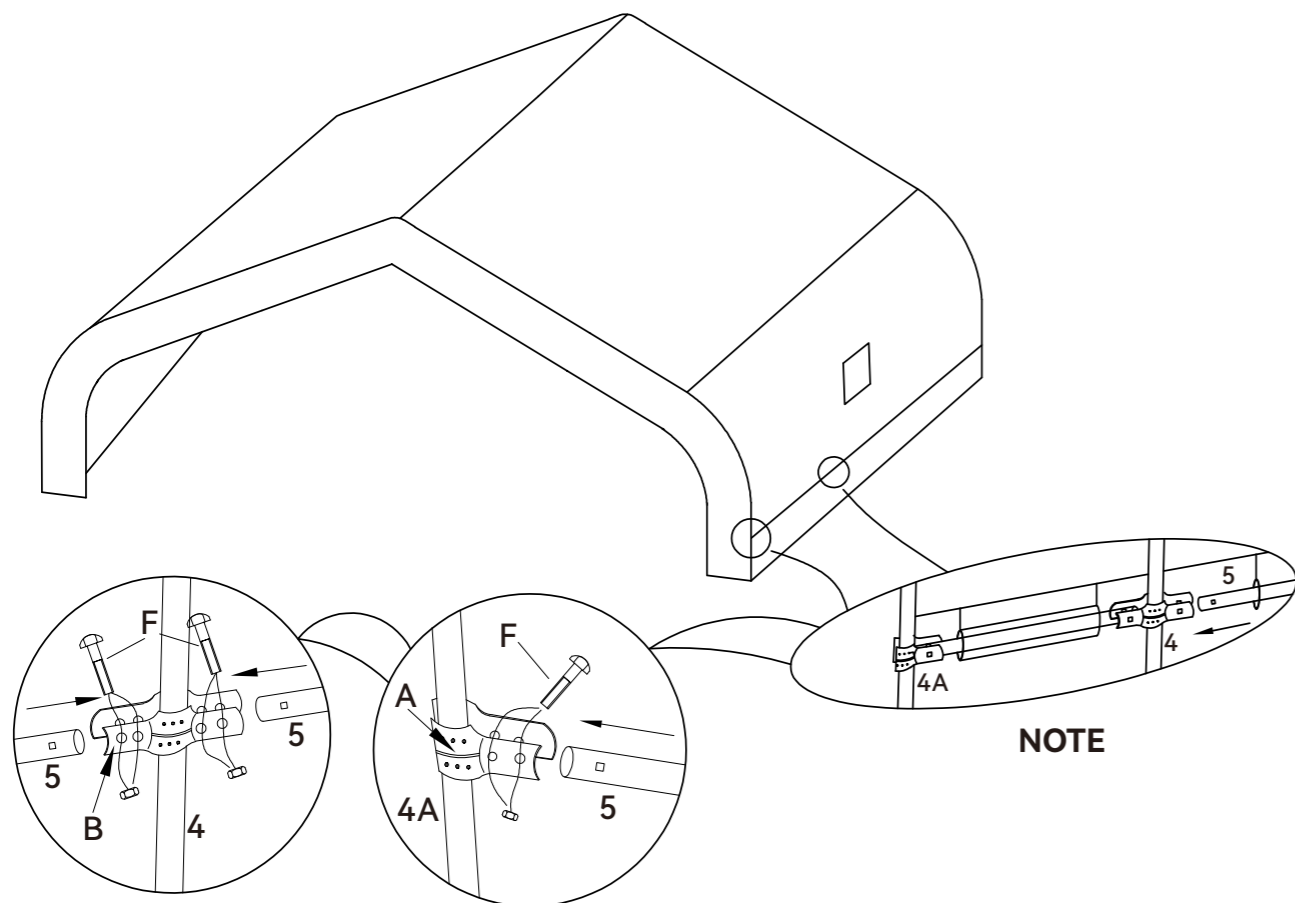
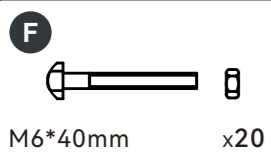
Step 9



Step 10

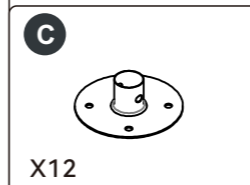
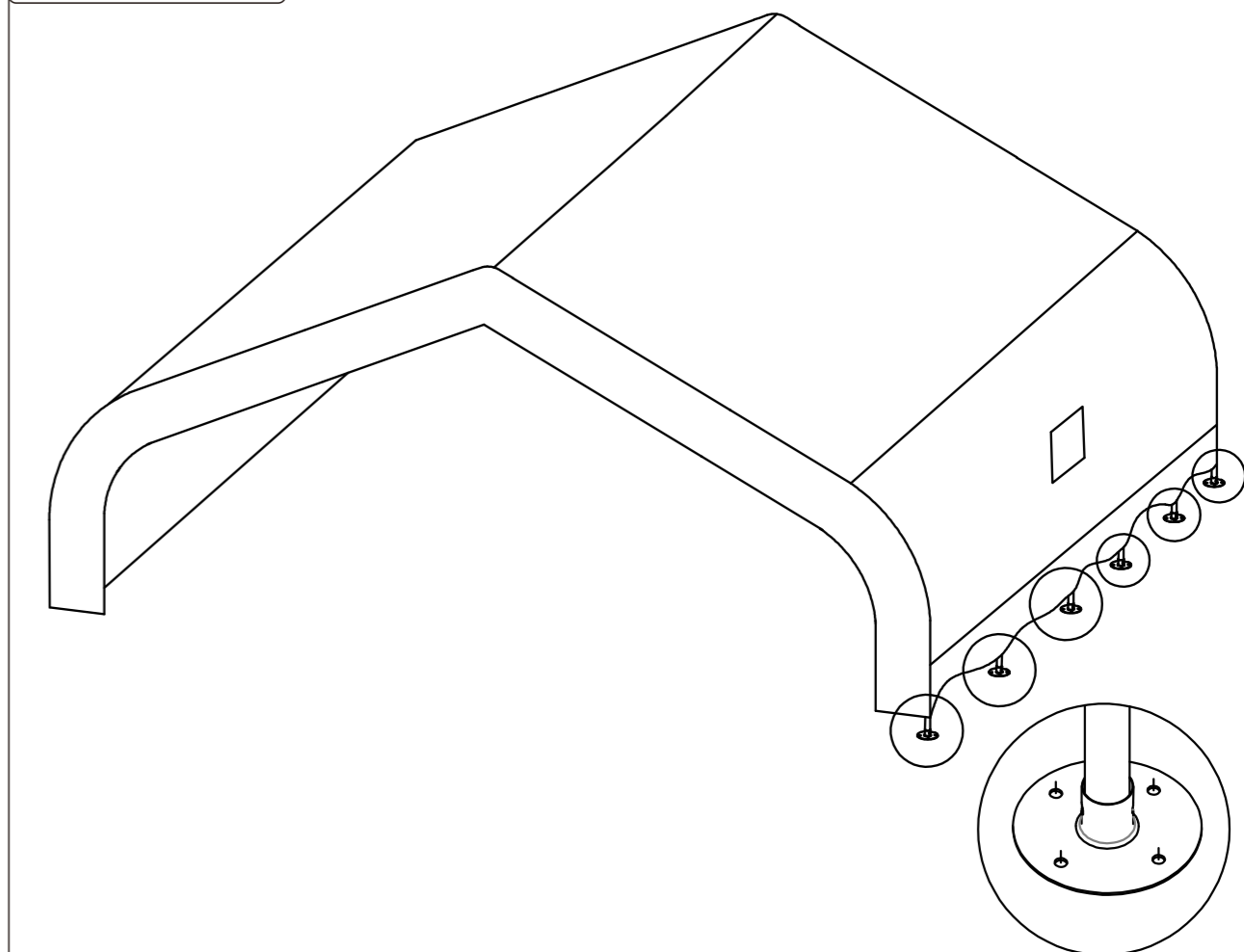
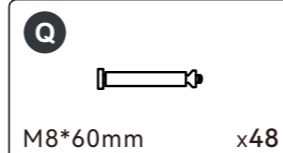


Step 11

**NOTE:**

- Adjust the height of both sides without tightening the nut.

Step 12

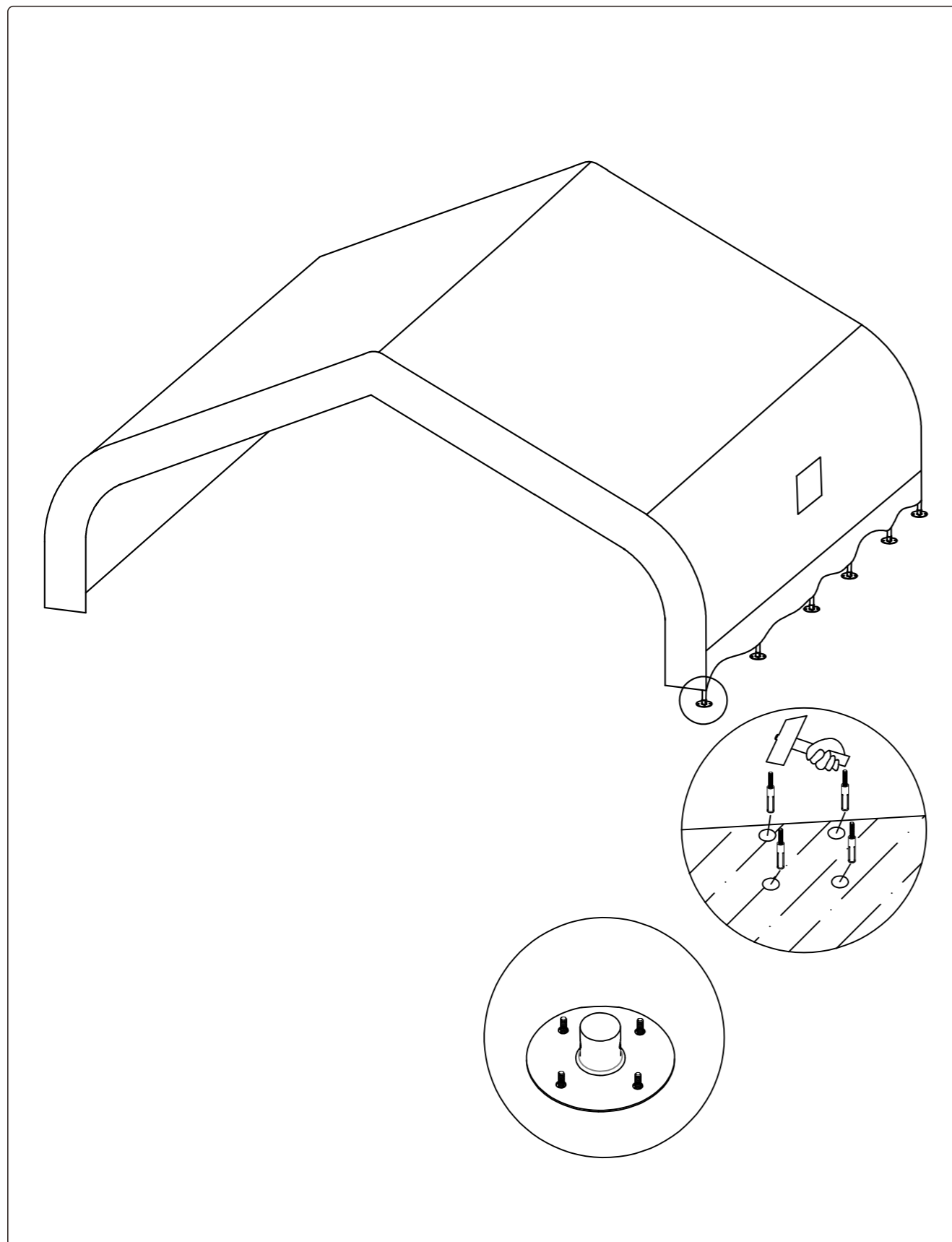
**NOTE**

- Position the foot pad by putting it on, and make sure the holes of the foot pad align with those of the foot tube.

NOTE:

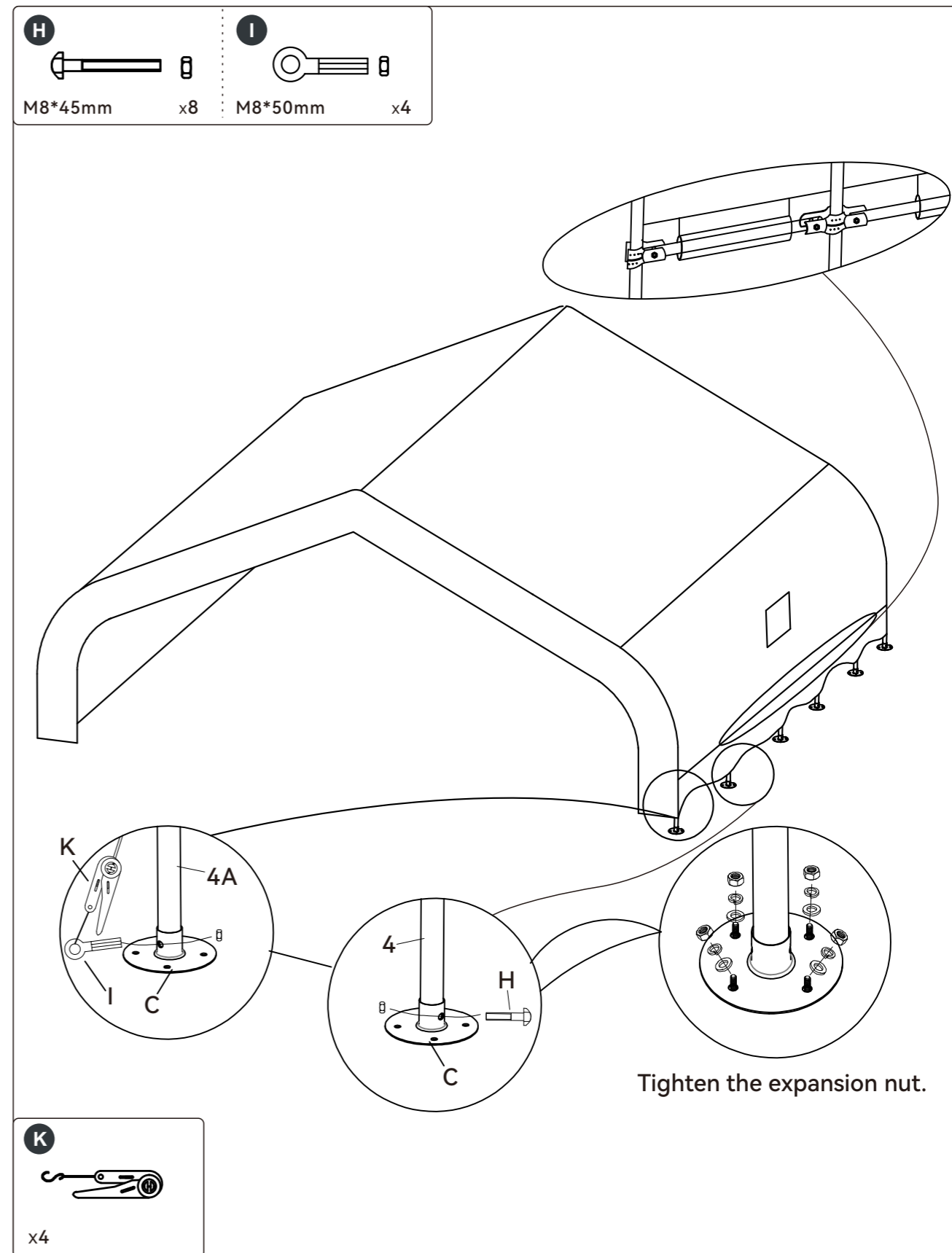
- Drill the positioning hole.

Step 13



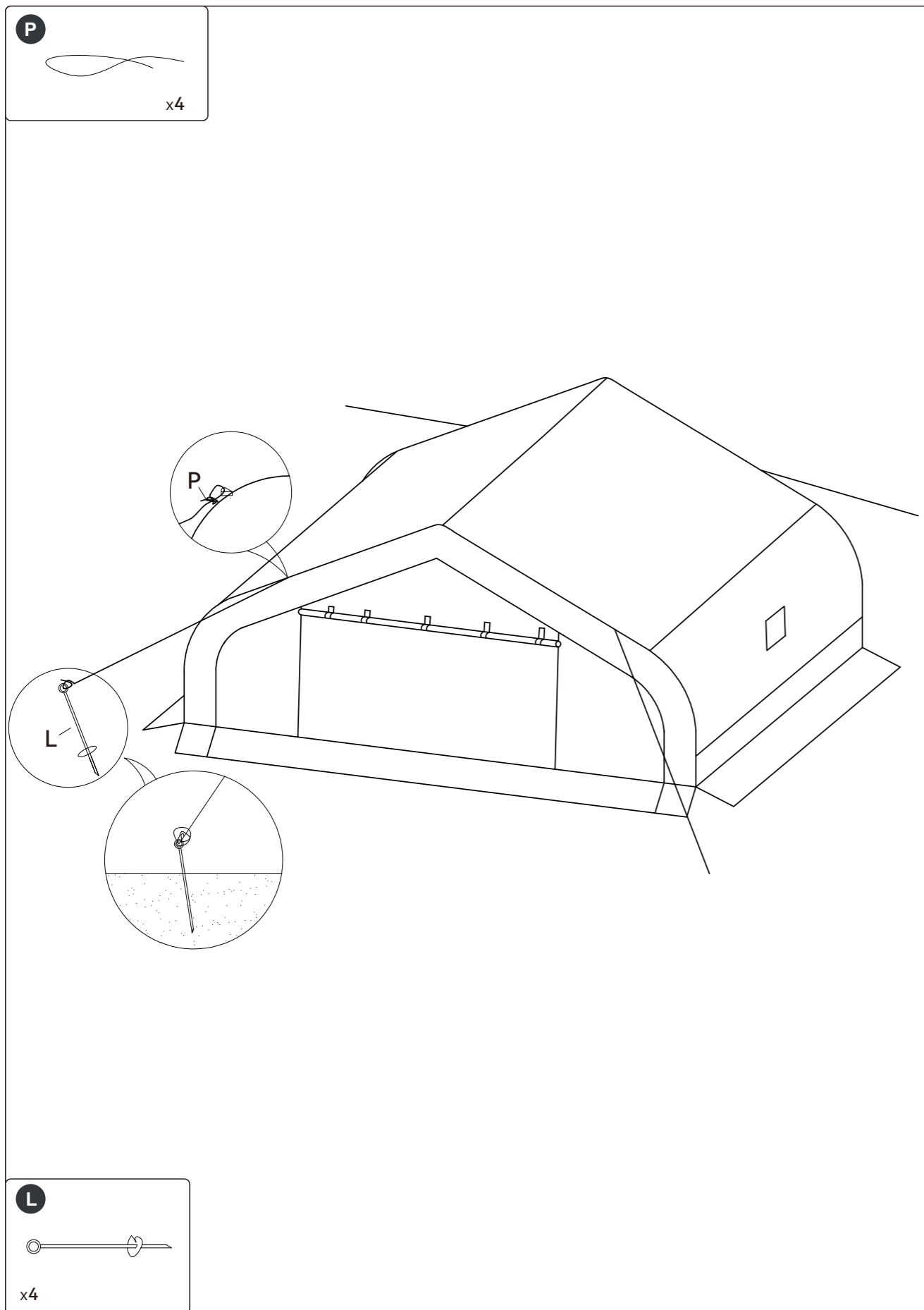
- Drive the expansion screw into the positioning hole.
- Put the foot plate onto the expansion screw.

Step 14

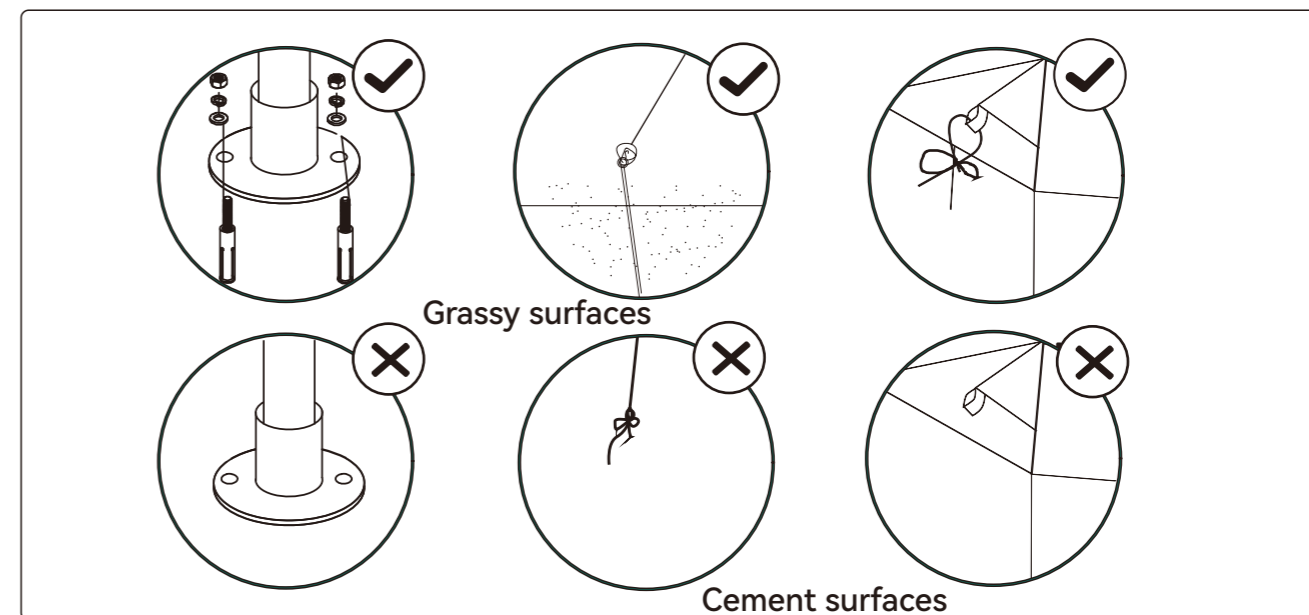


- First, put the ratchet tightener to tighten the cloth.
- Adjust the height of the cloth on both sides, and then lock the press bar.

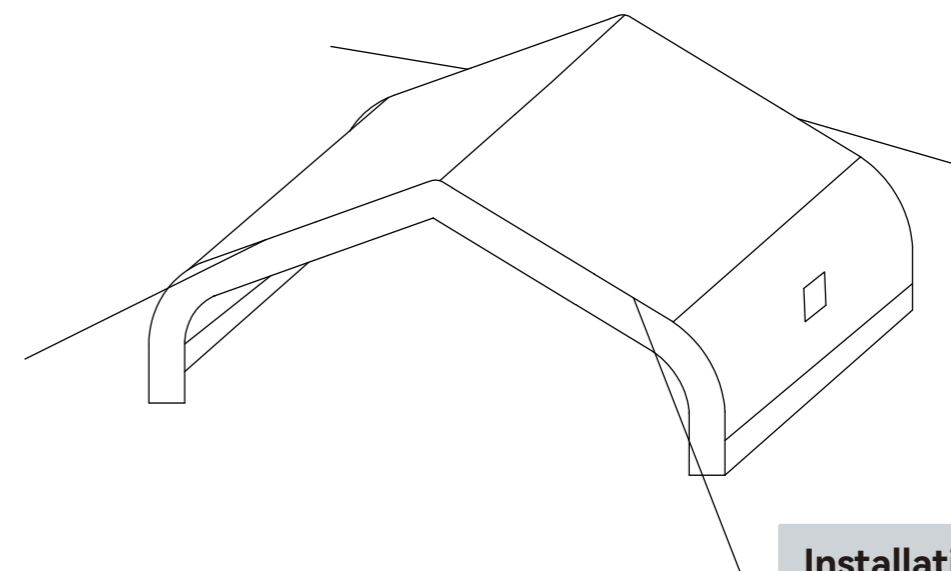
Step 15



Safety Warnings



- To increase wind resistance, be sure to complete this installation step.
- **If expansion screws or ground spikes are not installed, strong winds may tip the gazebo over and dump it.** Expansion screws are essential for the stability of concrete floors, while ground spikes are suitable for grass. Expansion screws are included in the package, but ground spikes are not provided.



How to make the entire carport more sturdy in strong winds or heavy snow?

- Ensure all screws are tightened.
- Confirm that ground nails and windproof ropes are installed as instructed.
- If the canopy is erected on concrete ground, it is recommended to use expansion screws.