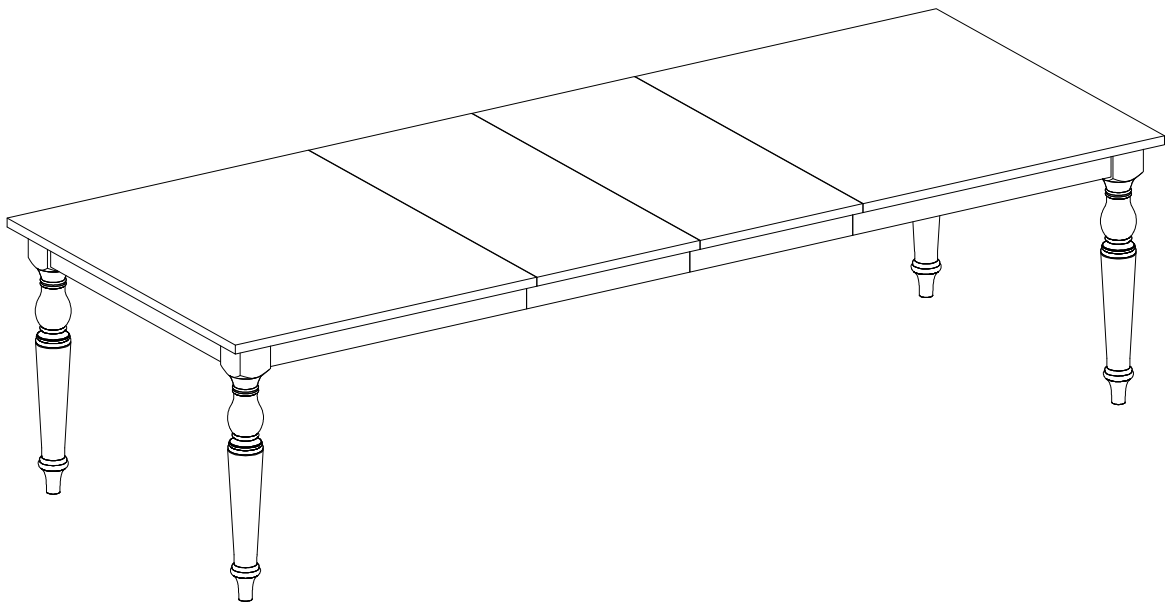




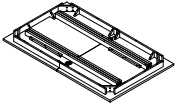
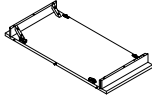
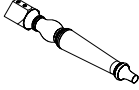
**MILA EXTENDABLE  
RECTANGULAR DINING TABLE**

# **MILA**

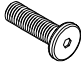



## **ASSEMBLY INSTRUCTIONS**



## PARTS LIST

Label	Picture	Description	Qty
A		Table top	1
B		Leaf top	2
C		Legs	4

## HARDWARE

Label	Picture	Description	Qty
D		Bolt M8x80	8
E		Spring washer	8
F		Flat washer	8
G		Allen key	1

### BEFORE BEGINNING ASSEMBLY



*Read instructions cover to cover*



*Have two adults on hand for assembly*



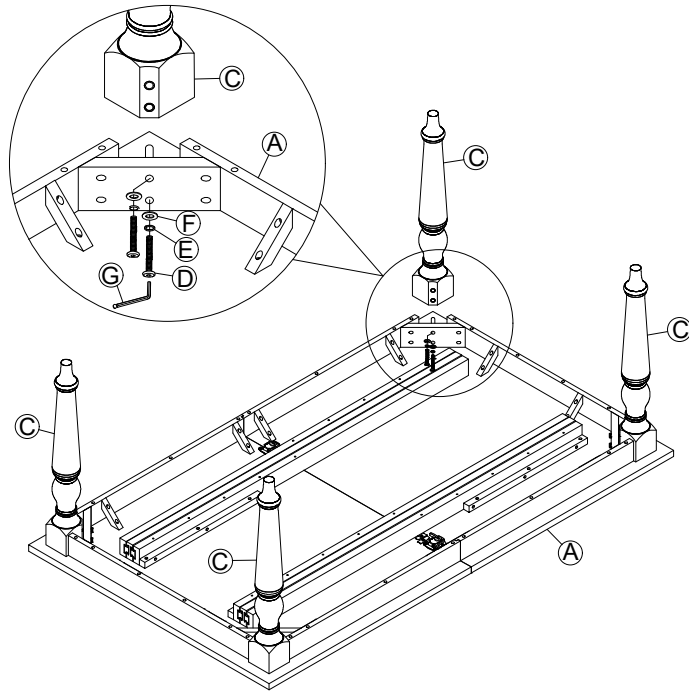
*Do NOT assemble on flooring or carpet. Assemble on a clean non-marring surface (ex: packing foam)*



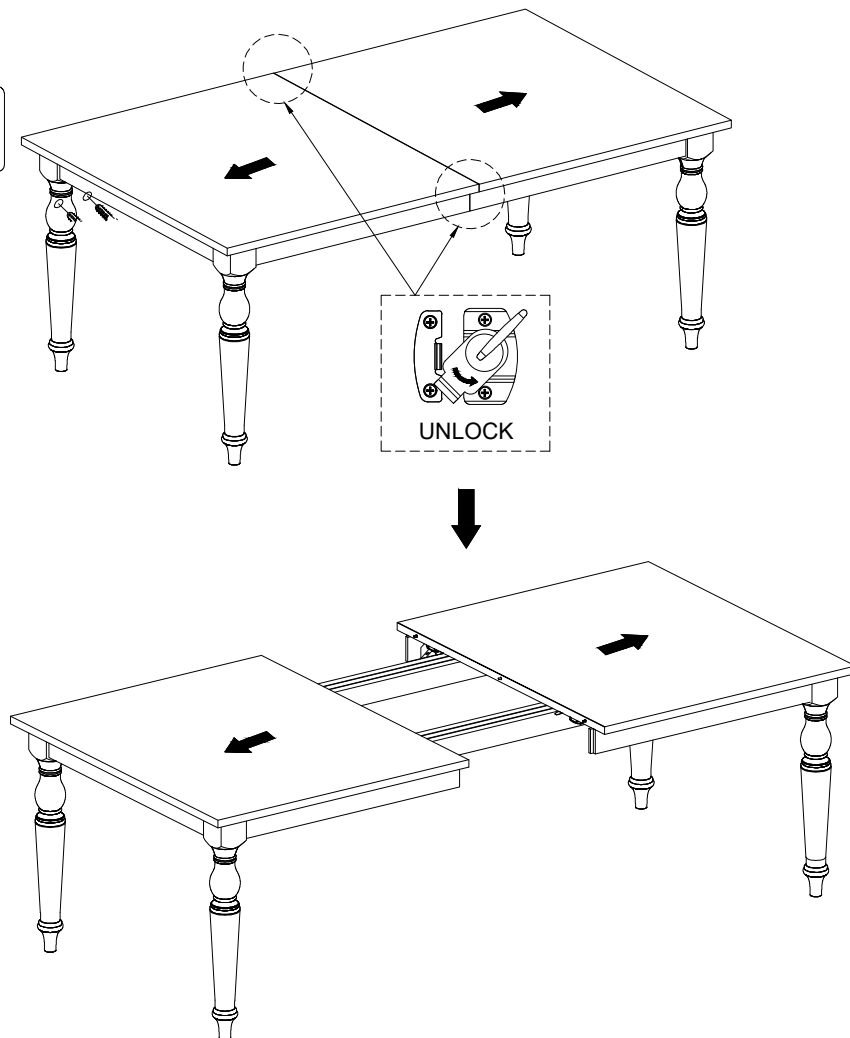
*Save all packaging until assembly is completed*

# ASSEMBLY STEPS

## STEP 1

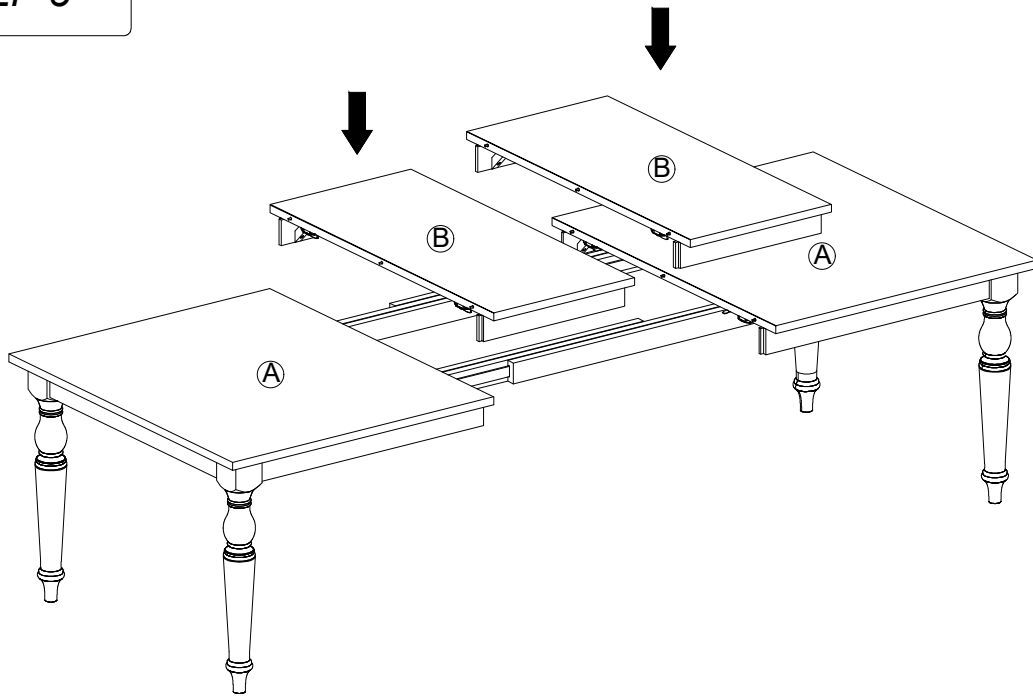


## STEP 2

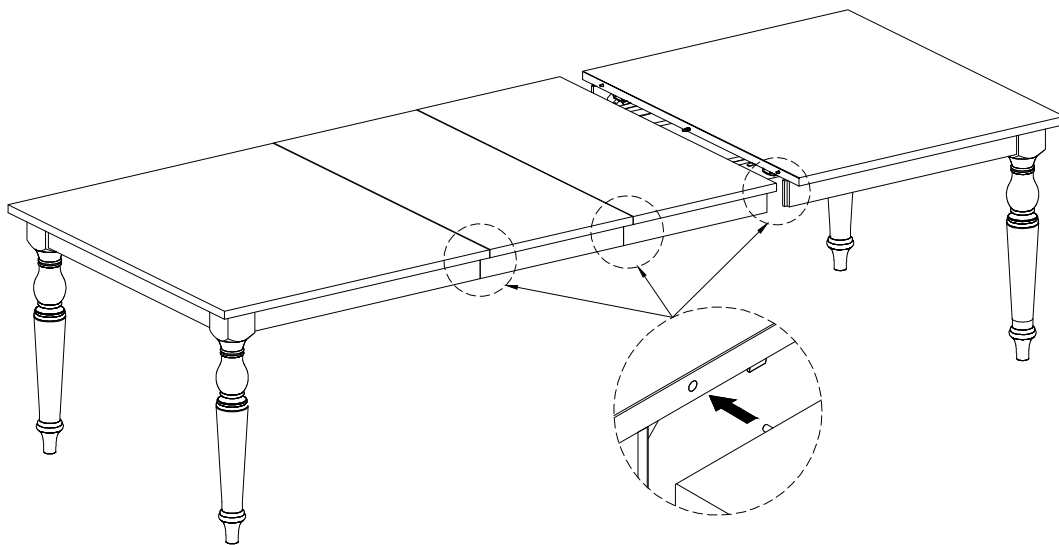


# ASSEMBLY STEPS

STEP 3

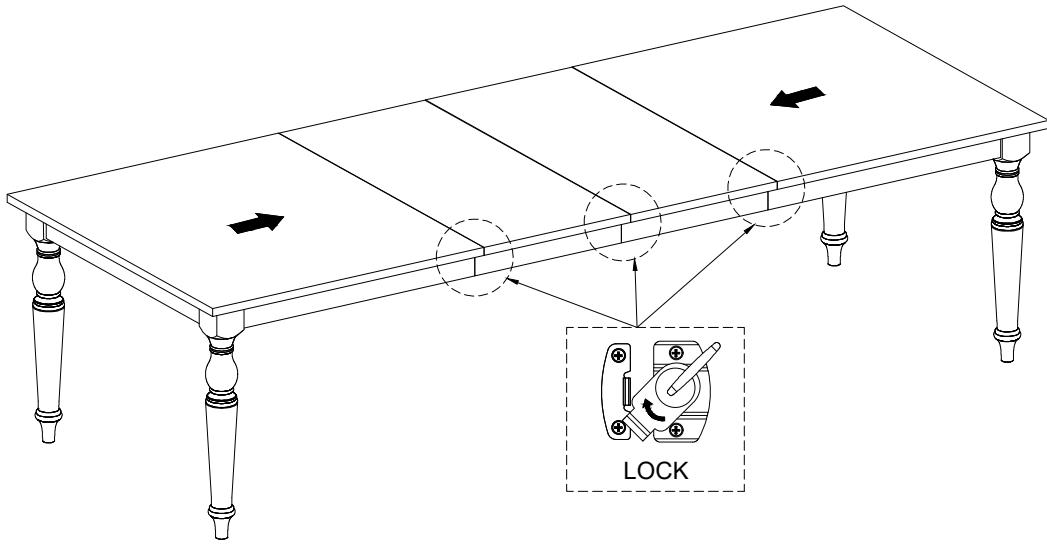


STEP 4



# ASSEMBLY STEPS

*FINISH*



---

## CARE & MAINTENANCE

---



Do not put hot items directly on furniture surface.



Do not clean furniture with harsh cleansers or polish



Dust and wipe up spills using a clean, non-colored, lint-free cloth.



Stains may be removed with a mild soap solution and a damp cloth.



Do not place furniture under direct sunlight.



Do not place furniture near heating or cooling vents.



Do not write on furniture without a padded barrier to protect the surface.



Do not place furniture outside, for indoor use only.