

RH

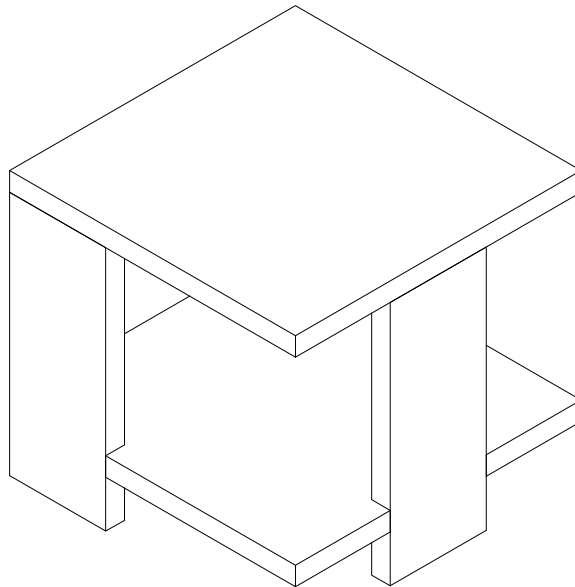
WOODEN SIDE TABLE

ASSEMBLY & INSTALLATION INSTRUCTIONS
ENGLISH

WOODEN SIDE TABLE

TOOLS NEEDED

- Level tool

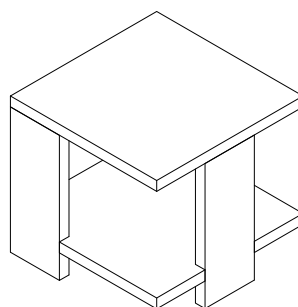


! IMPORTANT

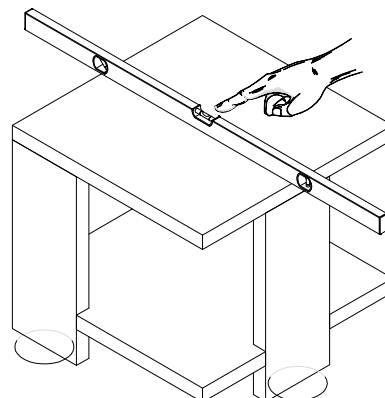
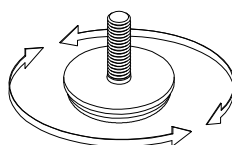
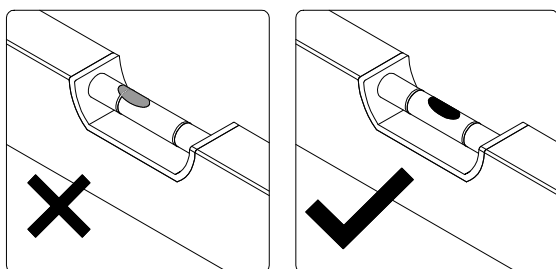
Thank you for choosing this quality product. Be sure to check all packaging materials carefully for small parts that may have become loose during shipment and place all parts on a non-abrasive surface.

STEP:1

Read the assembly instructions.

**STEP:2**

With the aid of level tool check the level of the table if leveling is necessary.

**WARRANTY**

If you are not completely satisfied with your purchase, please contact us to return or exchange your item(s) within 30 days of the delivery date, with proof of purchase. Note that returns or exchanges are not accepted for special orders, items that have been installed, mattresses and/or foundations no longer in their original packaging, and other items. Other exclusions may apply. Contact us for details. Unfortunately, galleries cannot accept returns of furniture or other large items.

CARE INSTRUCTIONS

- Dust often using a clean, soft, dry lint-free cloth.
- Blot spills immediately, and wipe with a clean, damp, cloth.
- We do not recommend the use of chemical cleansers, abrasives, or furniture polish on our lacquered finish.