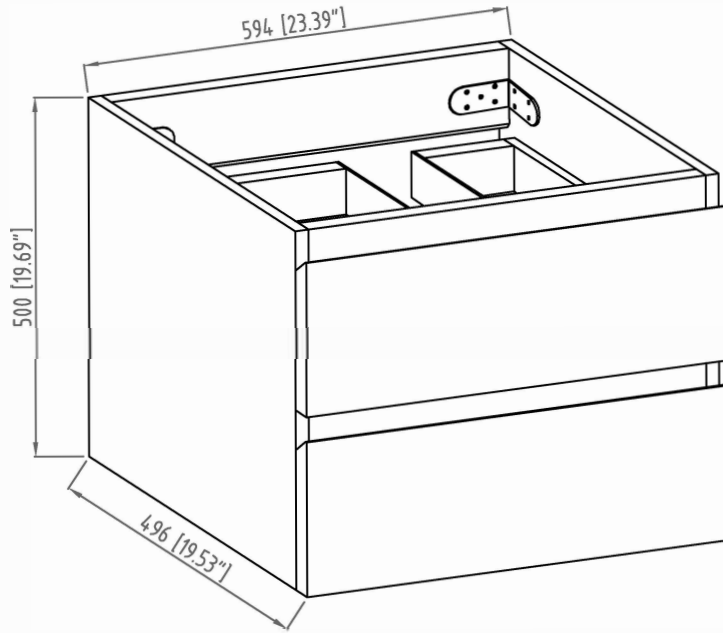
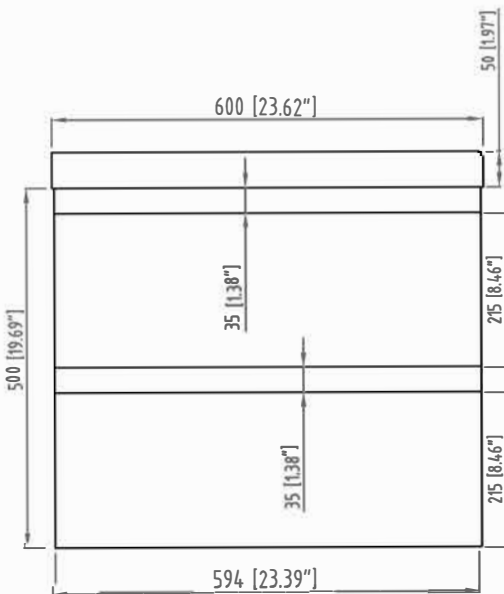


# Dimensions

## Three views



Front view



Side view

