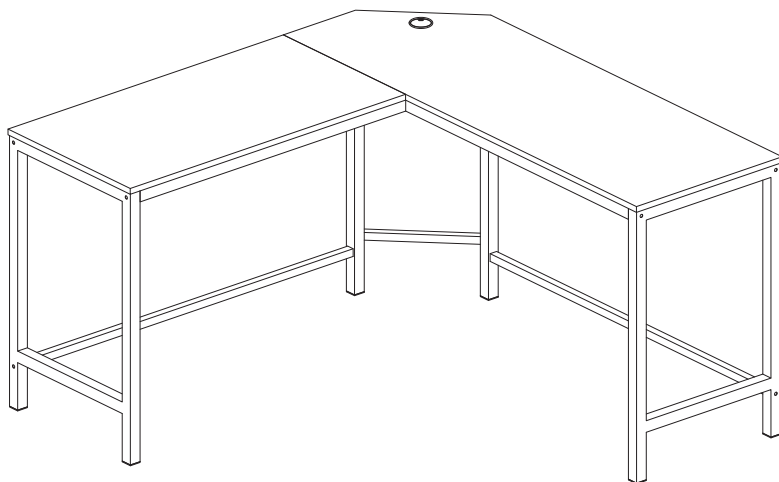


# CORNER DESK



# CONTENTS

---

Safety and care advice	<b>1</b>
Components	<b>2</b>
Components – fittings	<b>3</b>
Assembly instructions	<b>4</b>
Copyright	<b>9</b>

---

# ⚠ SAFETY AND CARE ADVICE ⚠

---

## PLEASE READ THESE INSTRUCTIONS CAREFULLY AND KEEP FOR FUTURE REFERENCE

- **Warning:** This unit weighs approximately 21.2kgs. Please lift with care.
- Check you have all the components and tools listed on pages 2 and 3.
- Remove all fittings from the plastic bags and separate them into their groups.
- Keep children and animals away from the work area, small parts could choke if swallowed.
- Make sure you have enough space to layout the parts before starting.
- Do not stand or put weight on the product, this could cause damage.
- Assemble the item as close to its final position (in the same room) as possible.

- Assemble on a soft level surface to avoid damaging the unit or your floor (use opened out unit carton).



- We do not recommend the use of power drill/drivers **for inserting screws**, as this could damage the unit. Only use hand screwdrivers.
- Dispose of all packaging carefully and responsibly.

## CARE AND MAINTENANCE

---

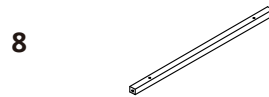
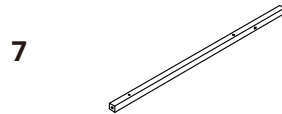
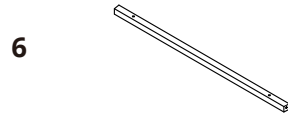
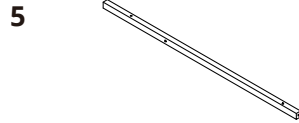
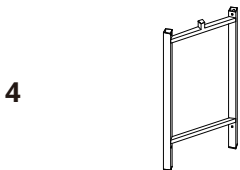
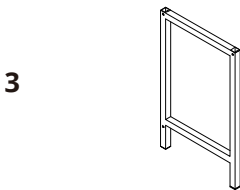
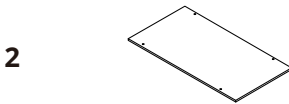
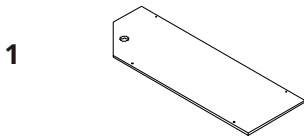
- Only clean using a damp cloth and mild detergent, do not use bleach or abrasive cleaners.
- From time to time check that there are no loose screws on this unit.

- This product should not be discarded with household waste. Take to your local authority waste disposal center.

**Note** *If required the next page can be cut out and used as reference throughout the assembly. Keep this page with these instructions for future reference.*

# COMPONENTS

Ensure the following components are in the box before proceeding with assembly:



## PARTS LIST

1	Right top panel	x1	6	Right top support bar	x1
2	Left top panel	x1	7	Left top support bar	x1
3	Left frame	x2	8	Short top support bar	x1
4	Right frame	x1	9	Bottom support bar	x2
5	Long top support bar	x1			



# COMPONENTS — FITTINGS

---

Please check you have all the fittings listed below:

**A**  Bolt M6\*50mm x 12

**B**  Bolt M6\*40mm x 8

**C**  Allen Key 4mm x 1



**D**  Plastic Cover x 1

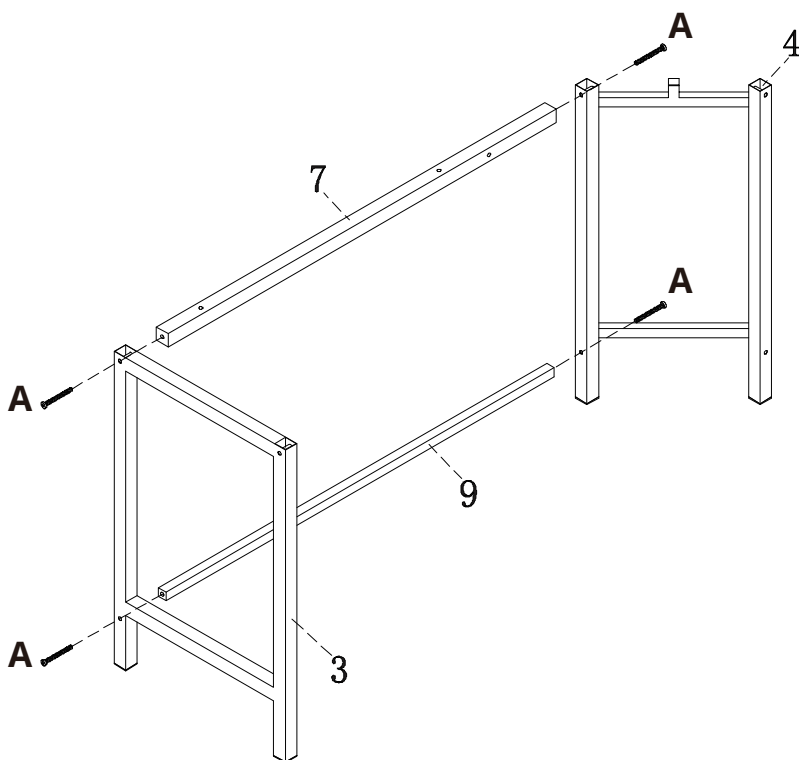


# ASSEMBLY INSTRUCTIONS

## Step 1



Do not tighten screws until completely assembled.

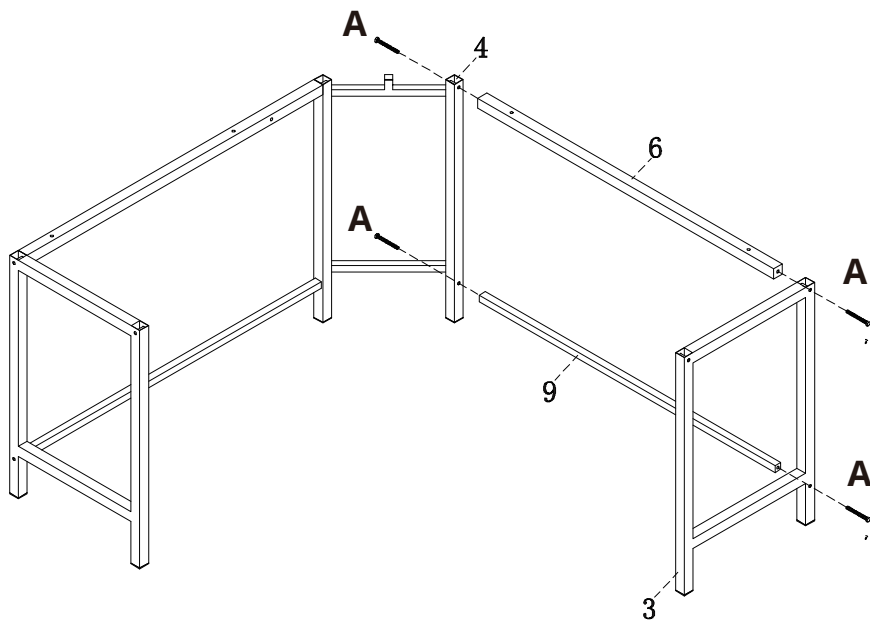
A		4
C		1



# ASSEMBLY INSTRUCTIONS



Step 2

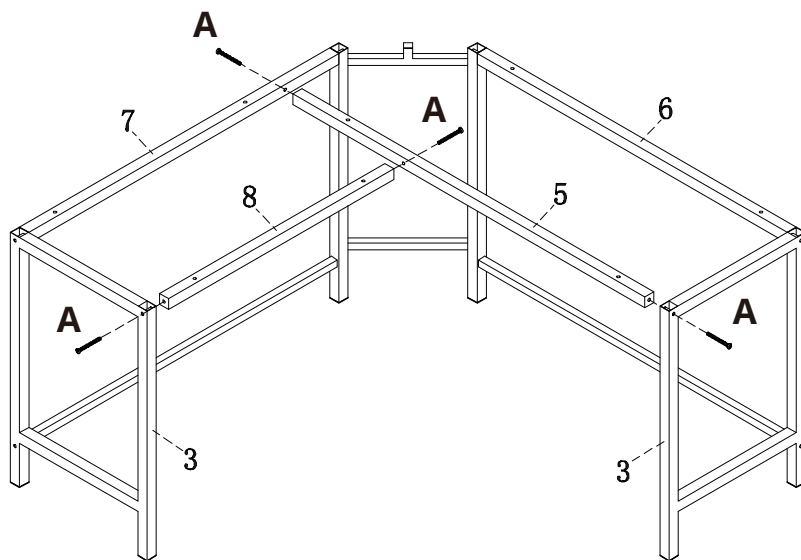
A		4
C		1



# ASSEMBLY INSTRUCTIONS


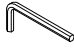
Step 3

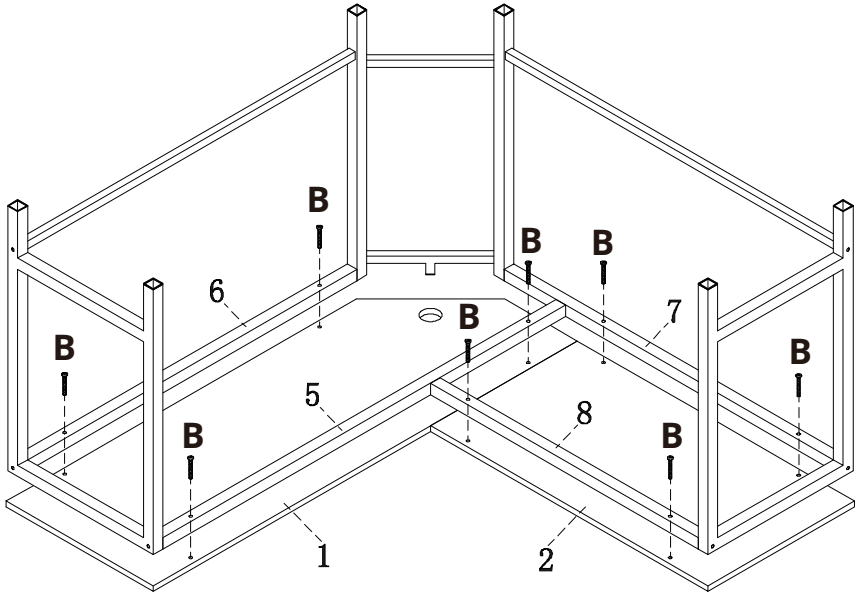
A		4
C		1



# ASSEMBLY INSTRUCTIONS

## Step 4

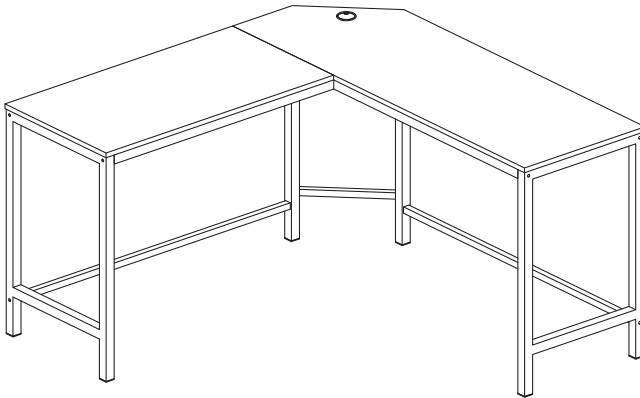
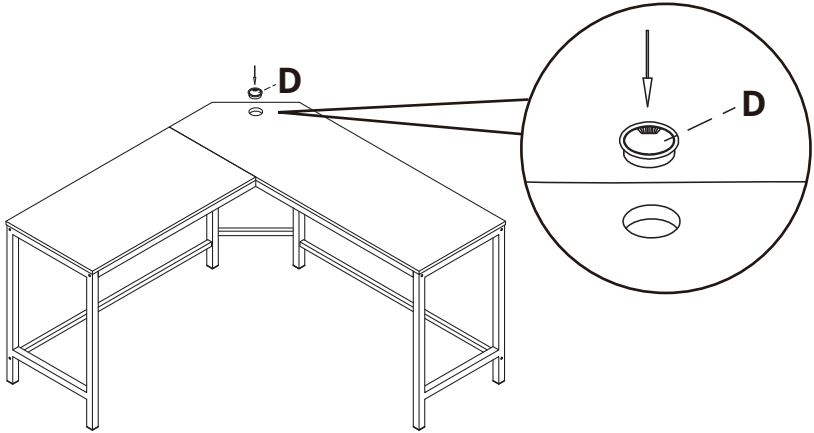
B		8
C		1



# ASSEMBLY INSTRUCTIONS

---

Step 5



Congratulations! Now you have finished assembling the product. There may be some dust or hand marks on your item, we recommend using a damp cloth to clean this product.

# **COPYRIGHT**

---

All material in this instruction manual is copyrighted.

Any unauthorised use may violate worldwide copyright, trademark and other laws.