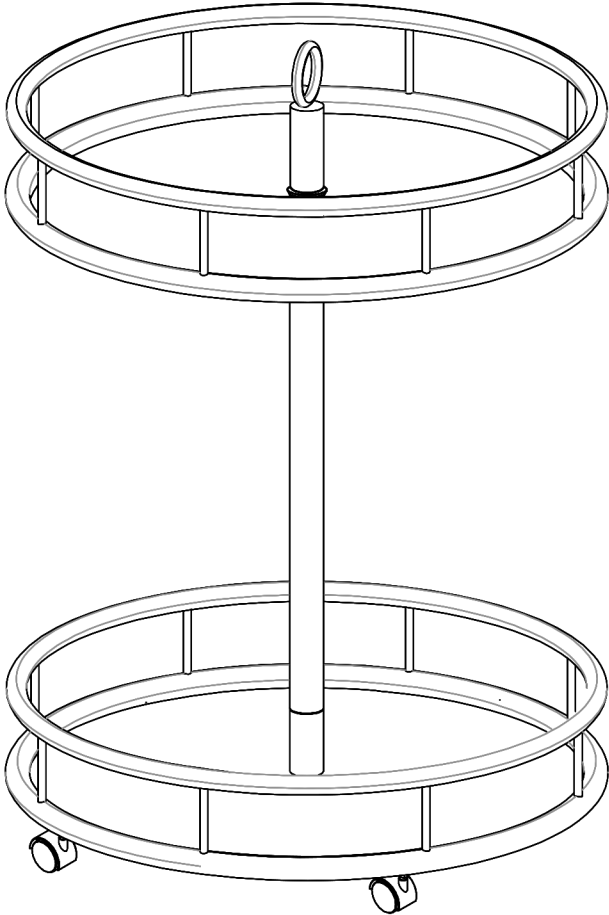


Assembly Instructions

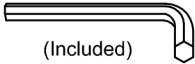


ASSEMBLY RATING

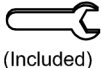
The Assembly Rating is a 5-point system that shows the degree of effort needed in assembling a specific product (with 1 being easy and 5 being difficult). For some products, two persons are recommended.

Tools Required For Assembly:

Allen Wrench



Wrench



EASY



DIFFICULT



2 PERSONS RECOMMENDED

ASSEMBLY & CARE ADVICE

FOR YOUR FURNITURE TO LAST, CORRECT ASSEMBLY AND PROPER MAINTENANCE ARE NECESSARY. PLEASE FOLLOW THE INFORMATION PROVIDED BELOW TO FULLY ENJOY YOUR FURNITURE.

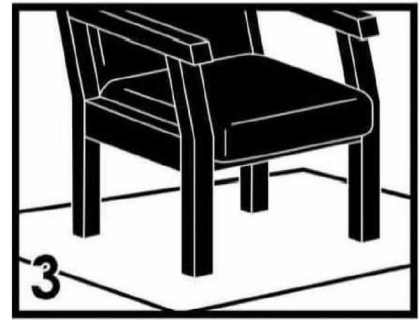
BASIC ASSEMBLY TECHNIQUES



When lock or spring washer is used in an assembly, please make sure the lock or spring washer is placed between the larger flat washer and the head of the screw or bolt.



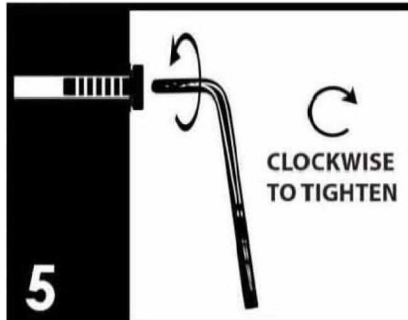
Position each part correctly and insert screws or bolts into their respective holes by hand tighten or using the proper hand tool. Only tighten when step is completed or when instructed to do so.



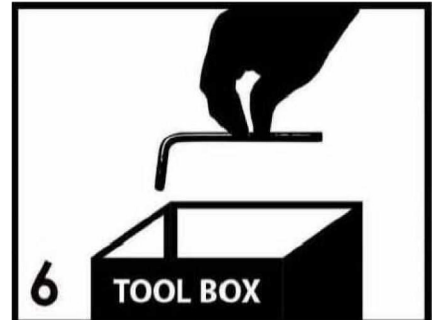
Use cardboard or carpet area when assembling furniture to prevent scratches. Make sure the furniture rests on a flat and level surface with each leg evenly touching the floor.



Some furniture comes with height adjustment knobs underneath each leg. To lower or to raise each leg, you need to turn clockwise or counterclockwise, respectively.



Make sure all parts are properly aligned, then use the appropriate hand tool to completely tighten the bolts or screws. Do not use power tools and do not overtighten.

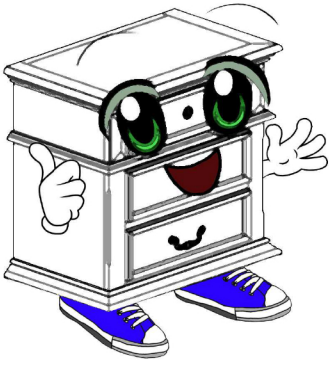


Save the instructions and store the Allen wrench or any supplied tool for later maintenance. After two weeks, check and tighten any loose hardware and repeat again every six months thereafter.

IT IS THE USER'S RESPONSIBILITY TO MAINTAIN THE FURNITURE. THE HARDWARE MAY LOOSEN OVER TIME AND MAY CAUSE THE FURNITURE TO BE WOBBLY AND UNABLE TO SUPPORT ITS INTENDED WEIGHT CAPACITY. THIS MAY LEAD TO COLLAPSE AND MAY CAUSE SERIOUS INJURY.



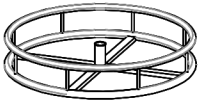
FAILURE TO FOLLOW THE GUIDELINES ABOVE MAY RESULT IN INJURY AND/OR PROPERTY DAMAGE.



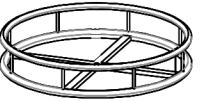
Before you begin, please read Page 2 of "Assembly and Care Advice".

And remember, do not tighten until each step is completed or instructed.

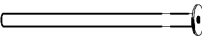
Parts List



#1 x 1pc
Bottom Frame



#2 x 1pc
Top Frame



#3 x 1pc
Support

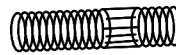


#4 x 1pc
Handle

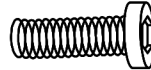


#5 x 2pcs
Mirror

Hardware List



#A x 1pc
Double Ends Bolt 38mm



#B x 1pc
Bolt 1/4"X2-1/2"



#C x 16pcs
Mirror Pad



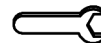
#D x 1pc
Spring Washers



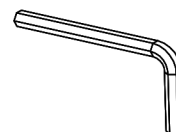
#E x 4pcs
Caster



#F x 2pcs
Plastic Ring



#G x 1pc
Wrench

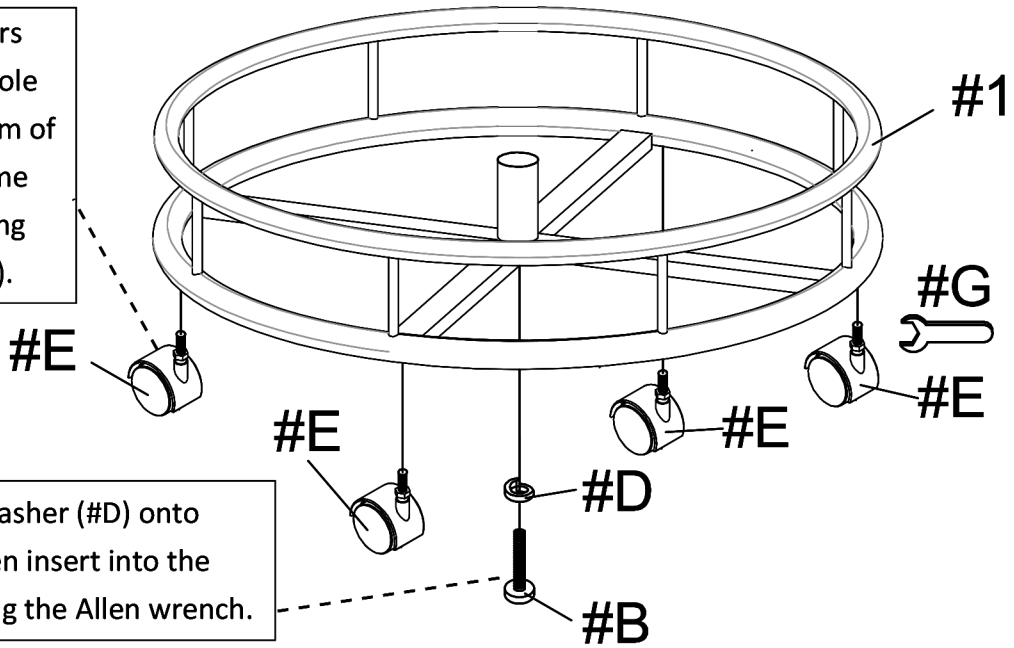


#H x 1pc
Allen Wrench



#B X 1PC
 #D X 1PC
 #E X 4PCS

1. Insert the casters (#E) into each hole along the bottom of the bottom frame (#1). Secure using the wrench (#G).



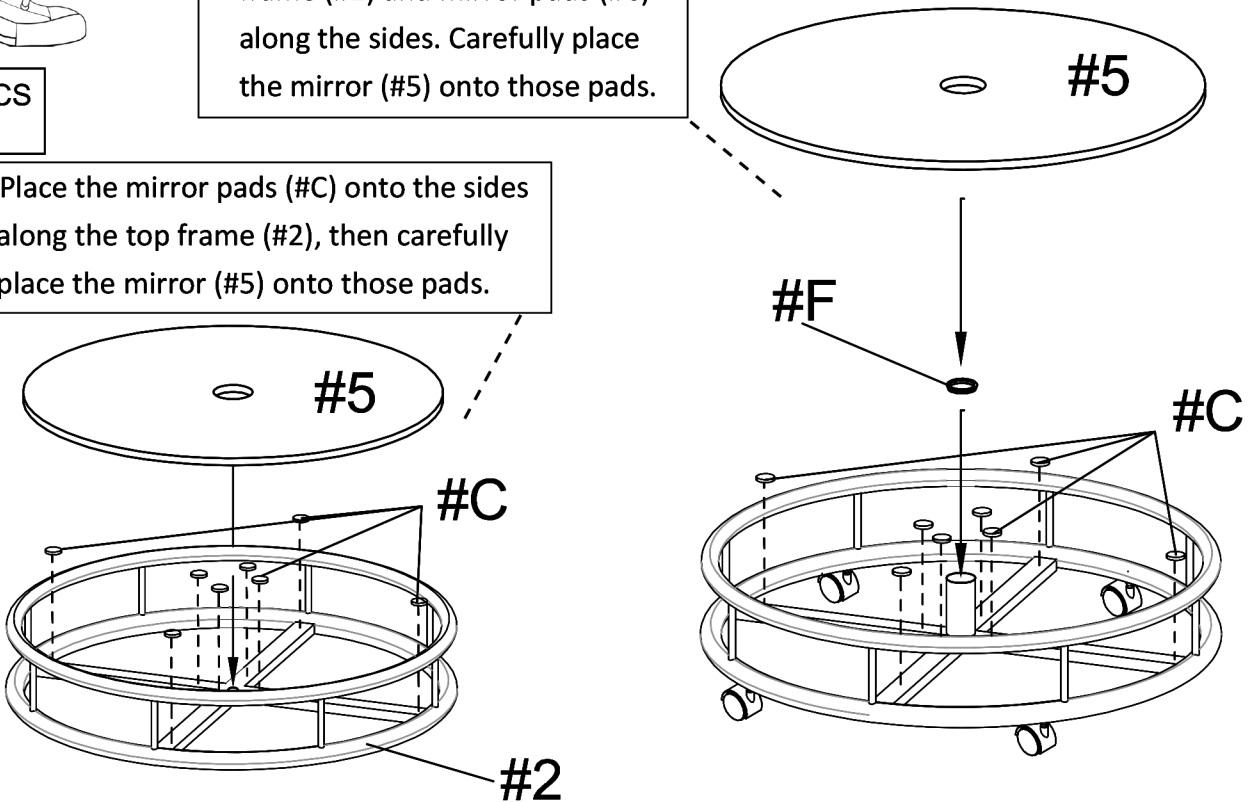
2. Apply a spring washer (#D) onto the bolt (#B), then insert into the hole. Secure using the Allen wrench.



#C X 16PCS
 #F X 1PC

1. Apply the plastic ring (#F) onto the center hole along the bottom frame (#1) and mirror pads (#C) along the sides. Carefully place the mirror (#5) onto those pads.

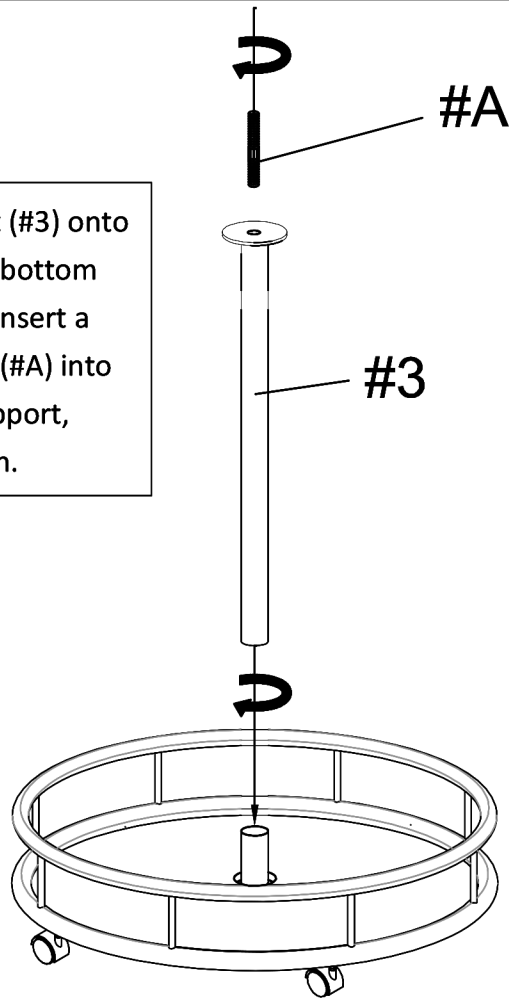
2. Place the mirror pads (#C) onto the sides along the top frame (#2), then carefully place the mirror (#5) onto those pads.





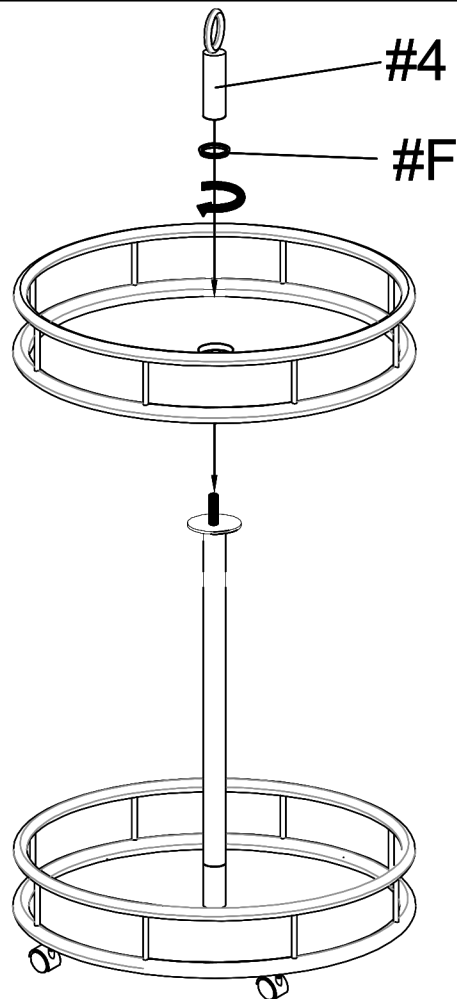
#A X 1PC

Place the support (#3) onto the center of the bottom frame (#1), then insert a double ends bolt (#A) into the top of the support, turn right for both.



#F X 1PC

Place the top frame (#2) onto the bolt (#A), then apply a plastic ring (#F) and the handle (#4) onto that same bolt. Turn right to tighten.



ASSEMBLY IS COMPLETED