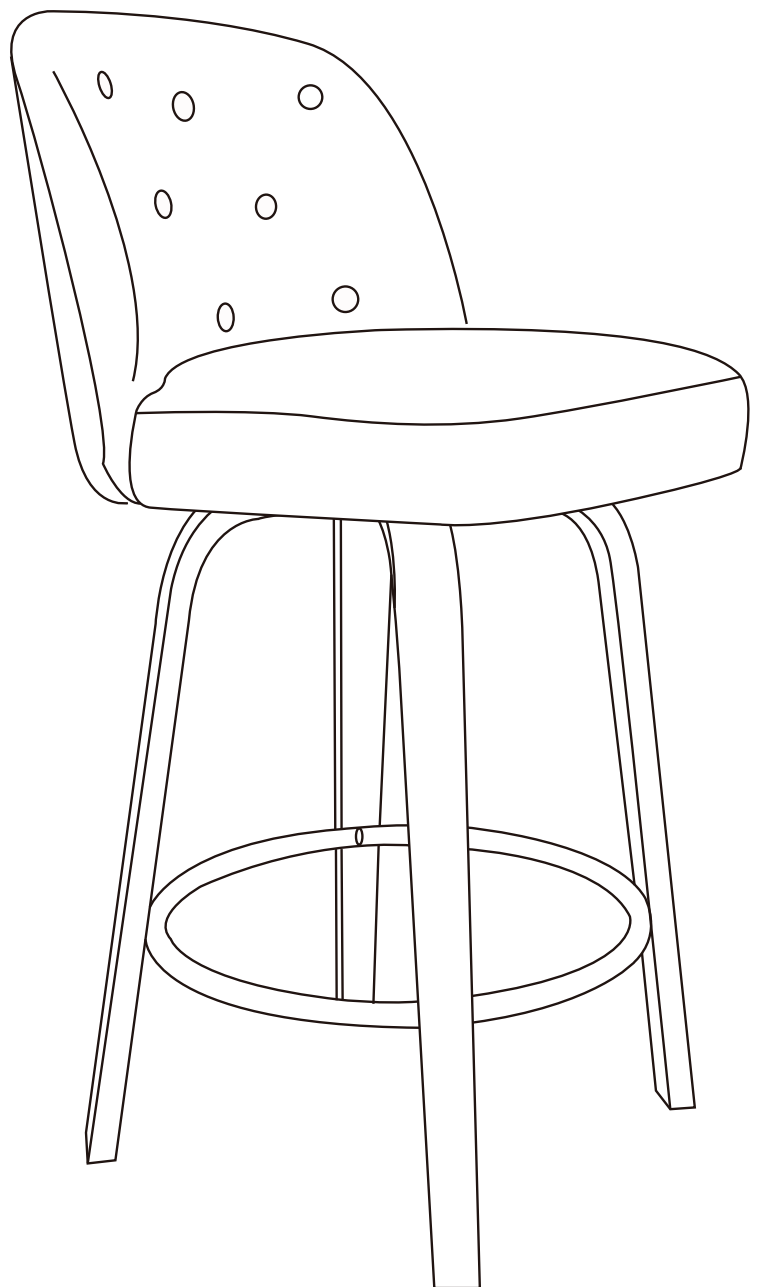
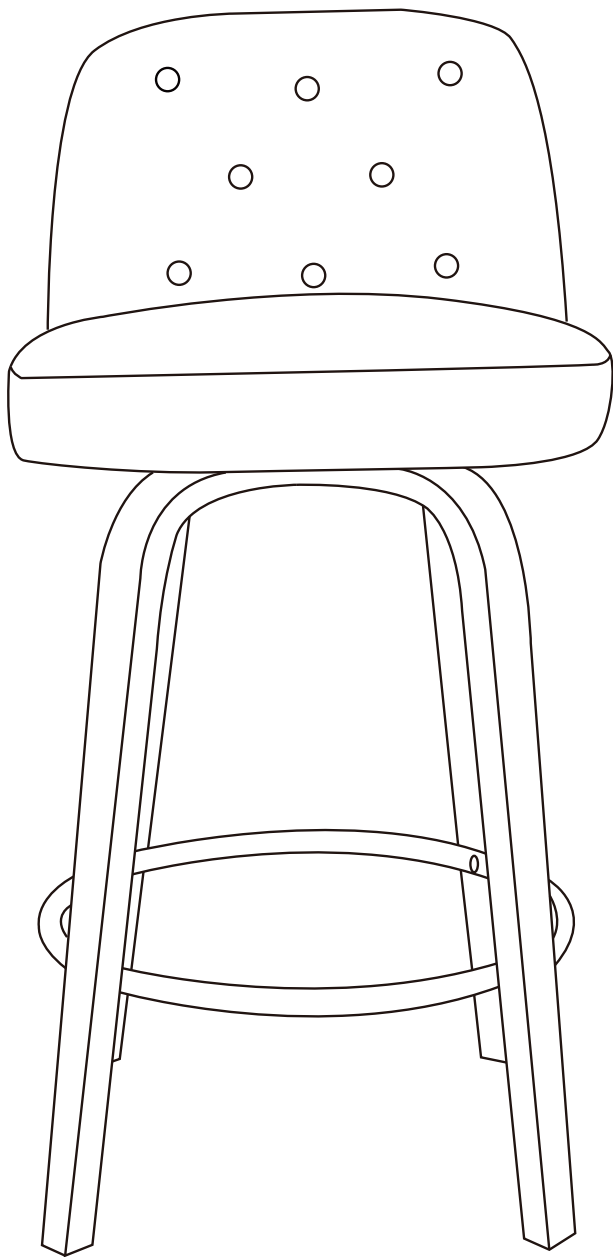


Assembly Instruction

Counter & Bar Height Swivel Stool



Thank you for choosing our product.

We are committed to delivering exceptional customer service to ensure your satisfaction.

Parts Confirmation:

- Upon unpacking, verify that all parts listed in the manual are present.
- If any parts are missing or incorrect, please notify us immediately. We will promptly arrange replacements, or other solutions to ensure the issue is resolved.

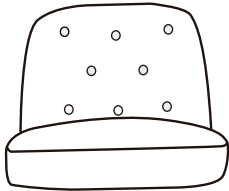


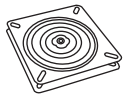
Assembly Guidance:

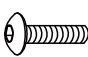
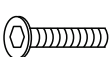
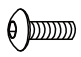

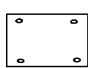
- Carefully review the instruction manual before assembly.
- The manual has detailed steps, but it might not cover all situations. If you need help or have questions, contact us and we'll respond quickly.

Shipping Note

- If you purchased multiple packs, kindly note that the items in your order might come in separate packages. We appreciate your patience during delivery.

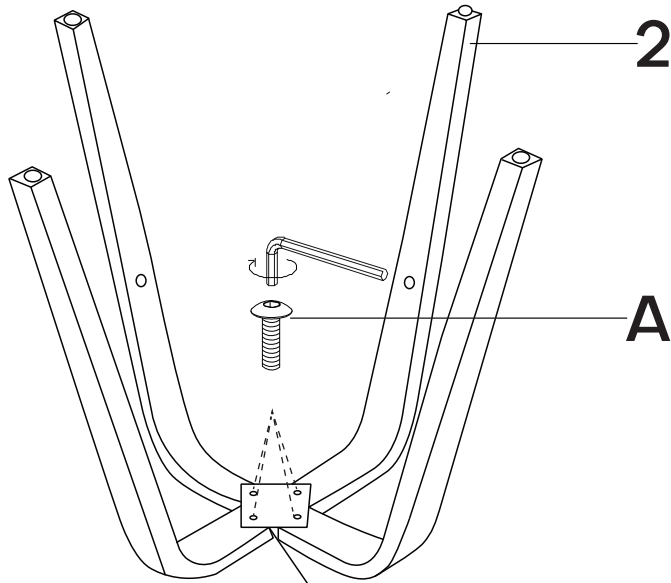
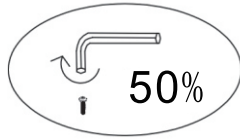
Parts List

Number	Name	Part	Qty
1	Seat		X1PC
2	Wood Legs		X4PC
3	Footrest		X1PC
4	Swivel Gear		X1PC

Number	Hardware	Part	Qty
A	M6x25mm		X8+1EXT
B	M6x30mm		X4+1EXT
C	M6x16mm		X4+1EXT
E	Wrench		X1PC
	Metal Plate		X1PC

01

Tighten the four screws to a depth of 50%.



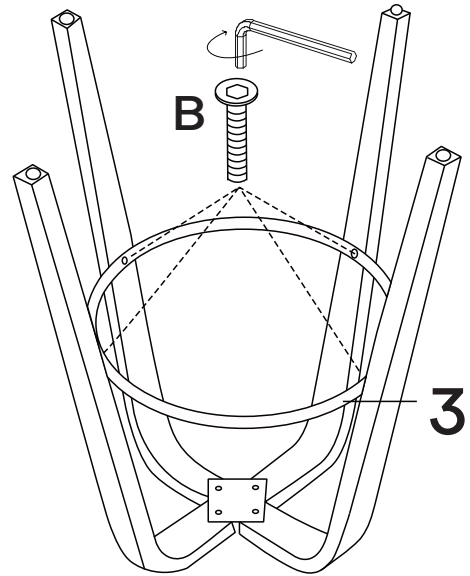
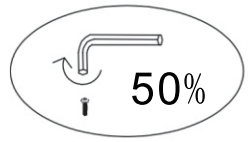
Tip:

If the screw hole on the last leg cannot align with the hole, loosen the screws on the front three legs to adjust the distance.

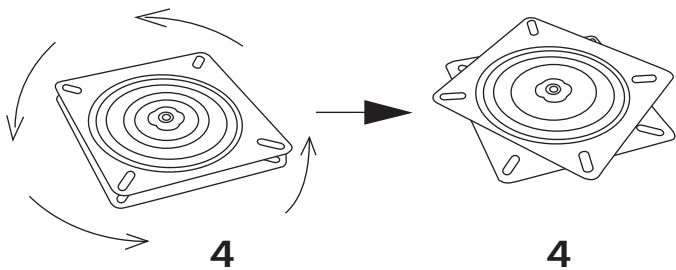
Metal plate

02

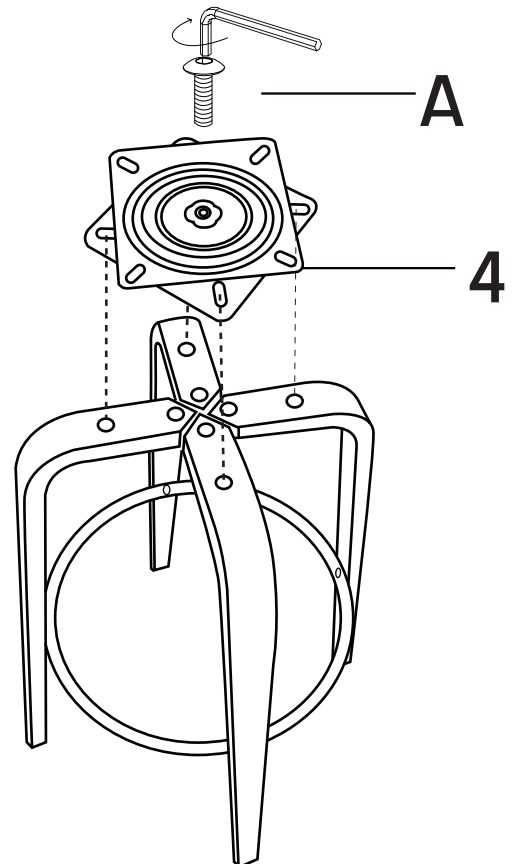
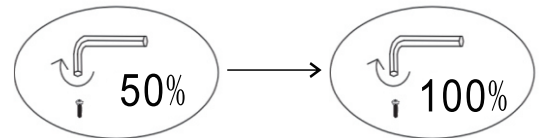
Tighten the four screws to a depth of 50%.



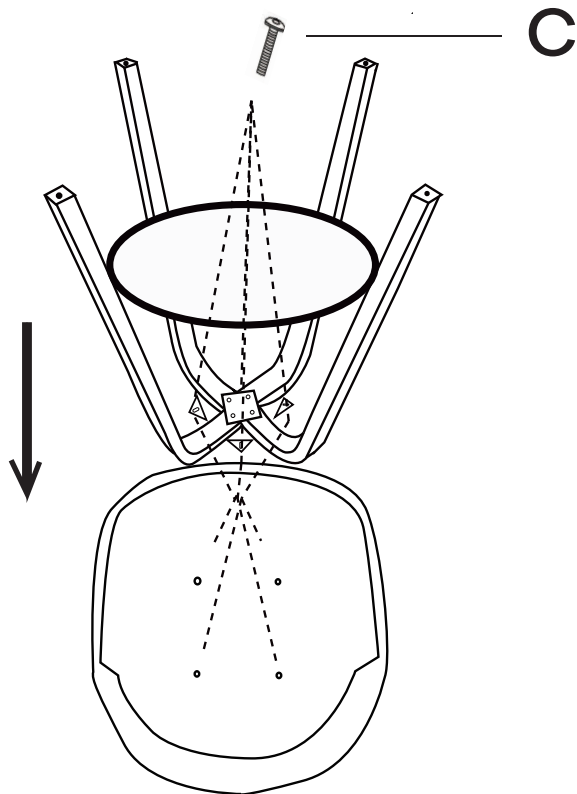
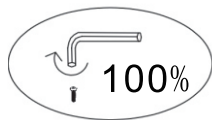
03



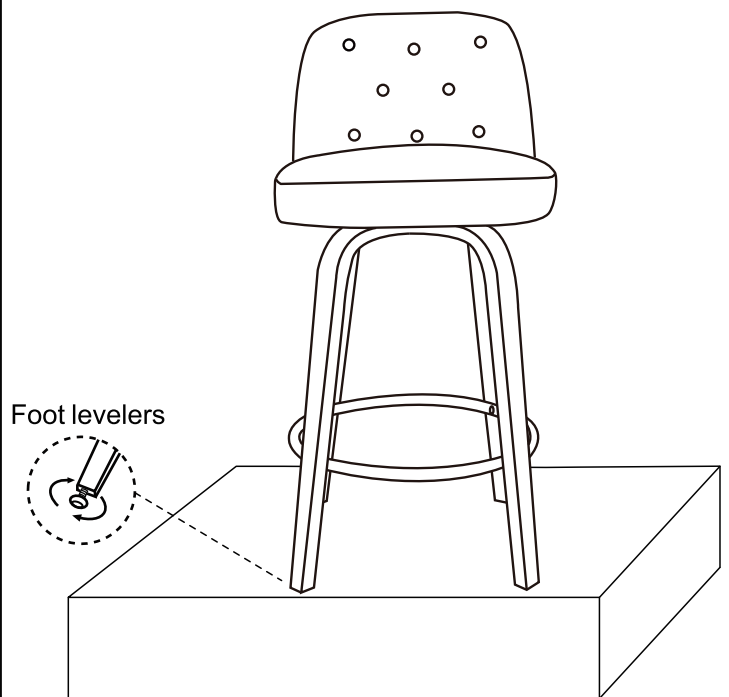
Swivel part (4) before install



Finally tighten all screws to a depth of 100%.






Assembly complete







Note:

Each leg has an adjustable foot leveler to help level your chair. Rotate it to ensure the chair is flat on the floor!

Safety Guidelines

-  Periodically inspect and tighten bolts to prevent loosening during use.
-  Ensure all hardware remains securely fastened before using.
-  Do not allow children to climb or jump on the stool.

Care Instructions

-  Avoid placing hot items, direct sunlight, or harsh chemicals on the furniture
-  Wipe dust with a soft, clean, lint-free cloth.
-  Use adjustable foot levelers on each leg to stabilize the chair on uneven floors.
-  Note: Indoor Use Only: Do not place the furniture outdoors or in damp environments.

Thank you for your purchase