




Assembly Instructions

King Size (Eastern)

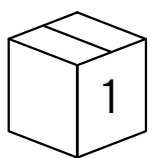
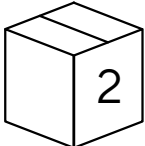
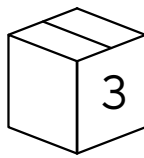


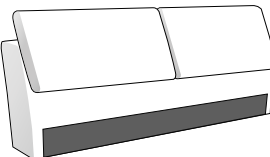
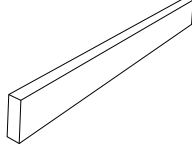
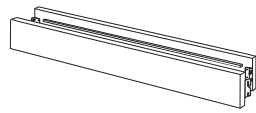
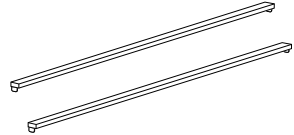
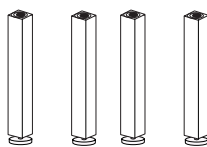
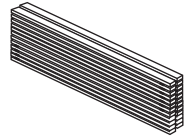
Assembly Items

<p>A</p>  <p>M4 Allen Key x 1pc</p>	<p>B</p>  <p>M5 Allen Key x 1pc</p>	<p>C</p>  <p>Legs x 4pcs</p>
---	---	---

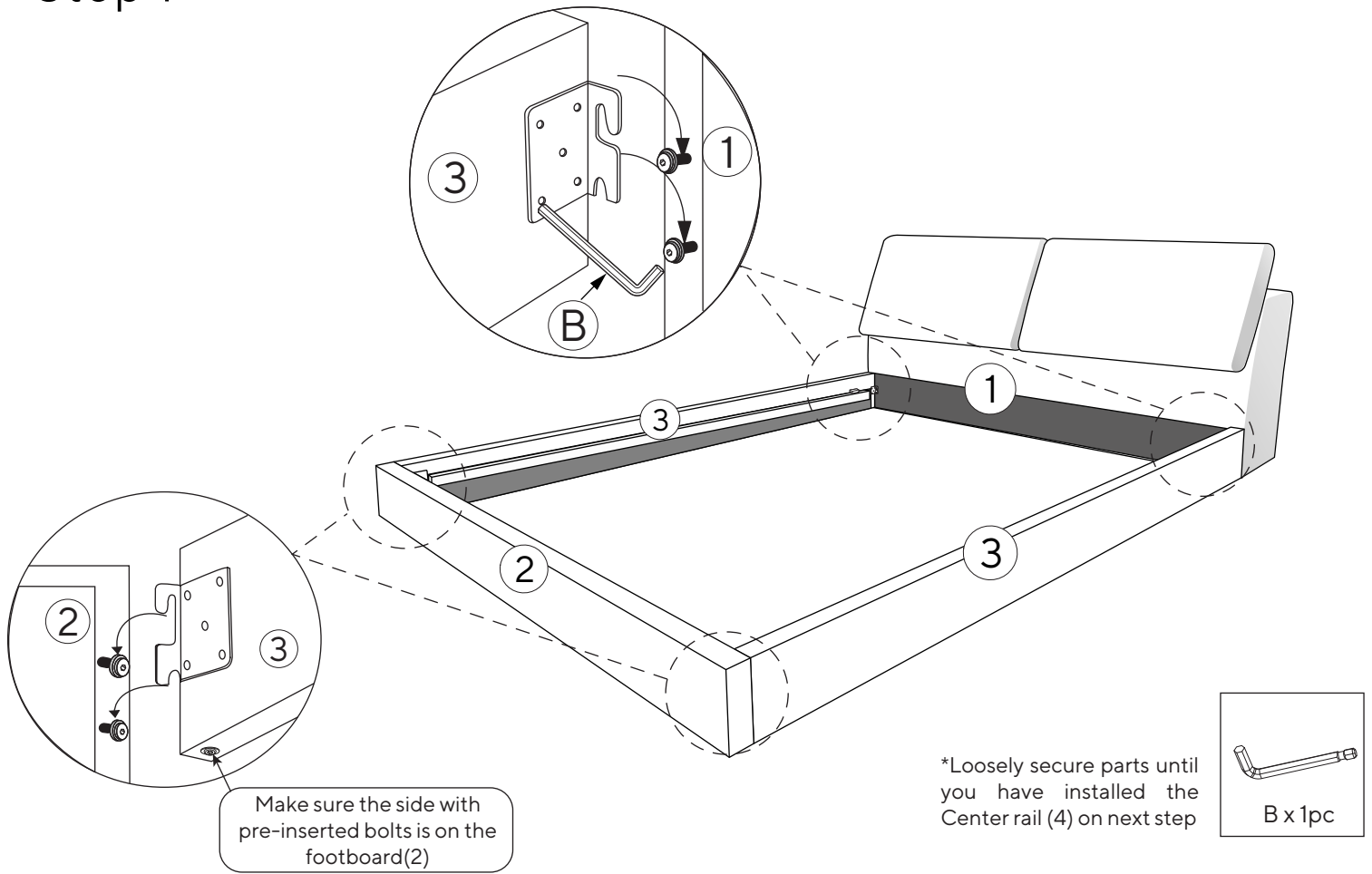
Parts List

Numbered parts can be found in the following numbered boxes

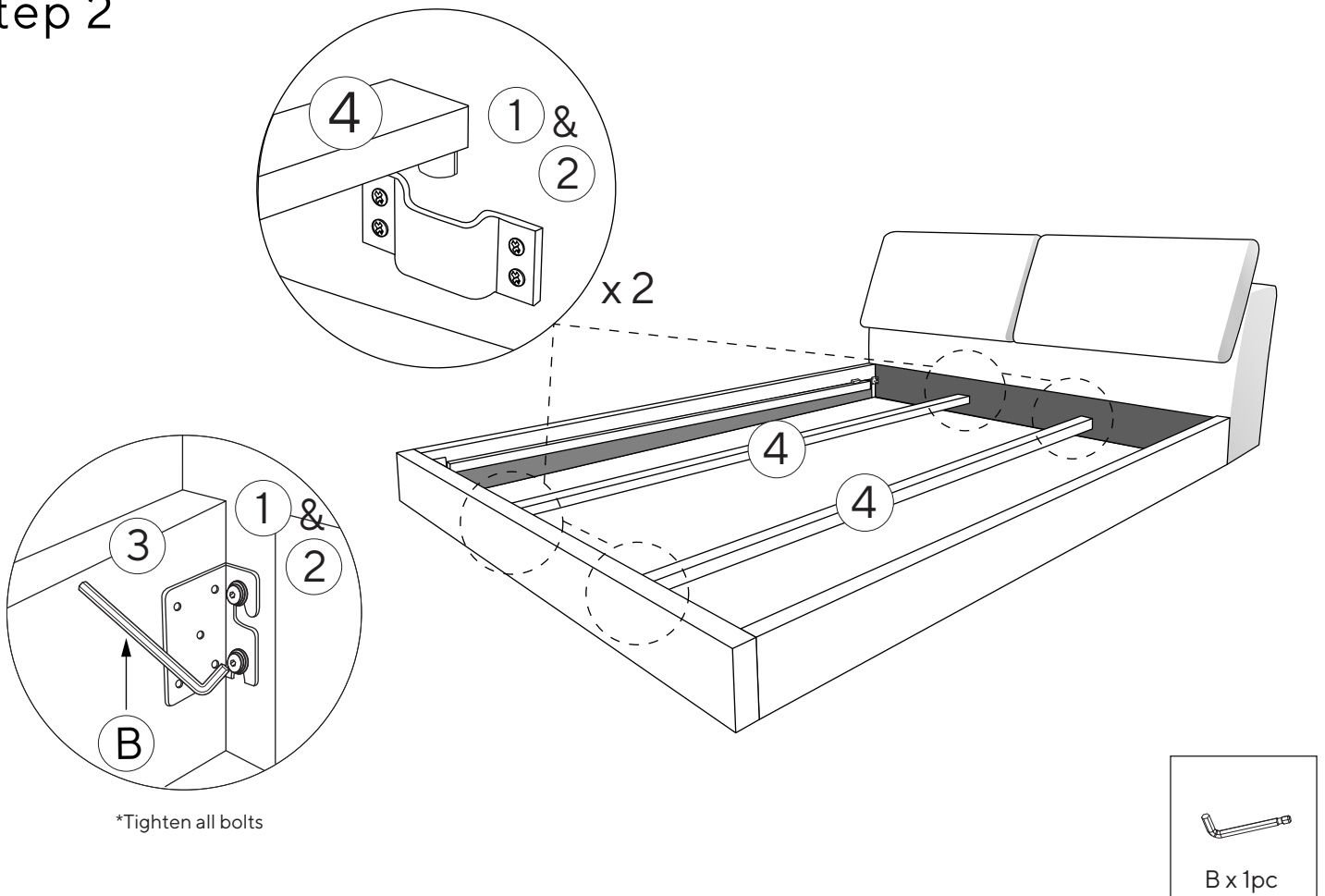
 <p>1</p>	<p>Assembly items pack</p>  <p>2 3 4 5</p>	 <p>3</p> <p>6</p>
--	---	--

<p>1</p>  <p>Headboard x 1pc</p>	<p>2</p>  <p>Footboard x 1pc</p>	<p>3</p>  <p>Side Rails x 2pcs</p>	<p>4</p>  <p>Center Rails x 2pcs</p>
<p>5</p>  <p>Support Legs x 4pcs</p>	<p>6</p>  <p>Slats x 1set</p>		

Step 1

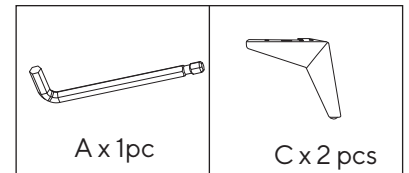
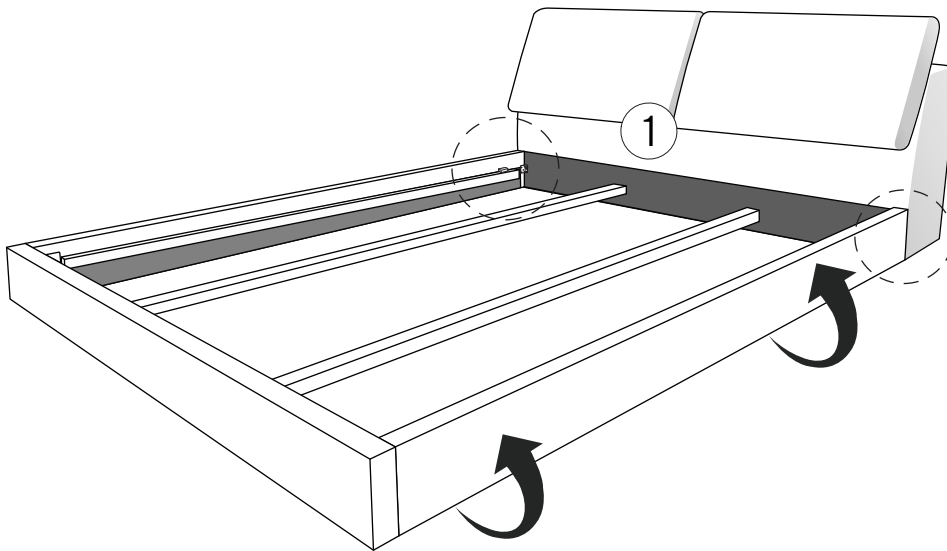
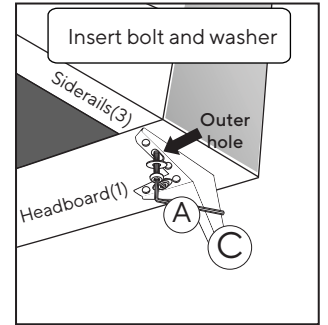
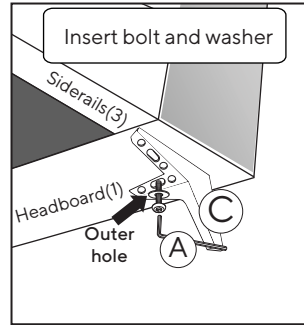
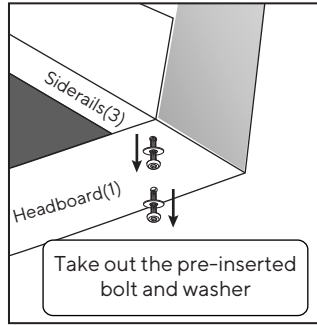


Step 2



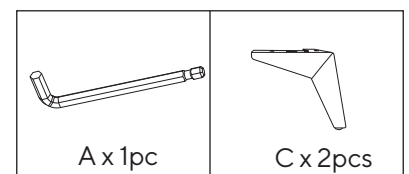
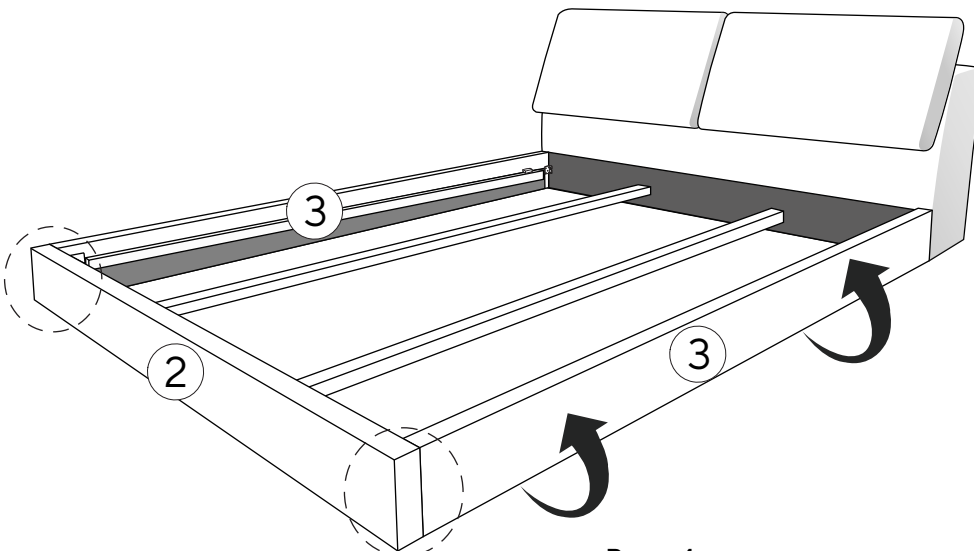
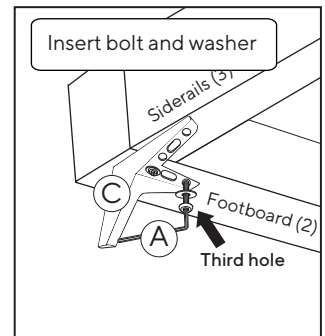
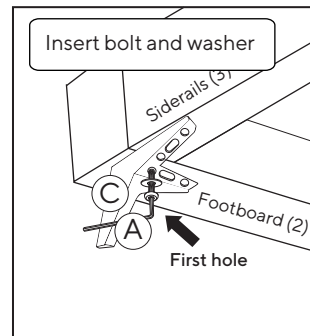
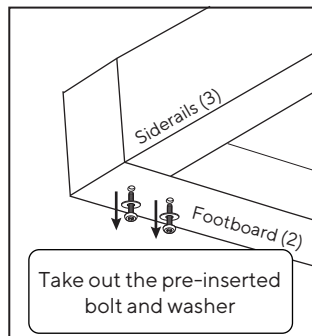
Step 3

Headboard (1)



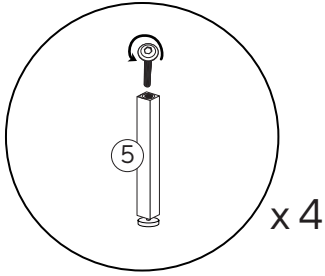
Step 4

Footboard (2)

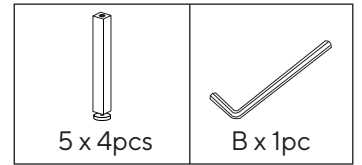
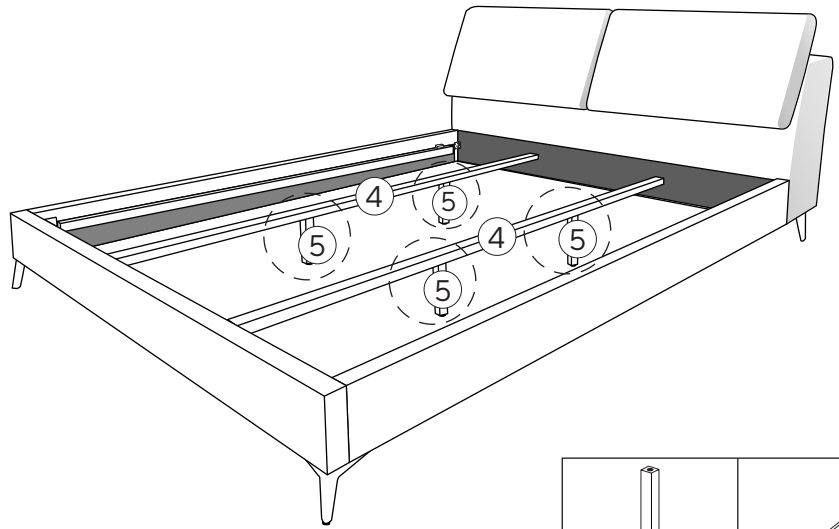
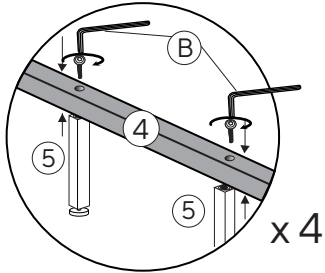


Step 5

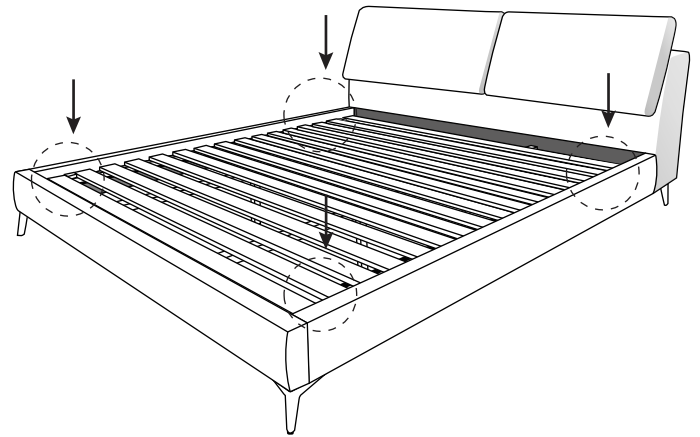
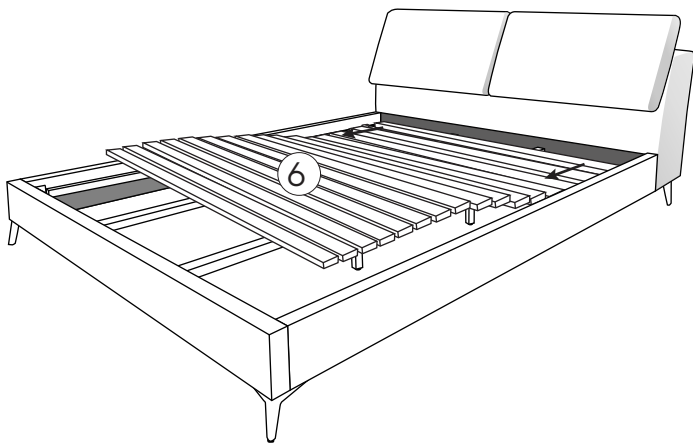
Take-out
Pre-inserted Bolt



Re-insert the Pre-inserted Bolt
passes through Center Rail



Step 6



Your bed is ready.

