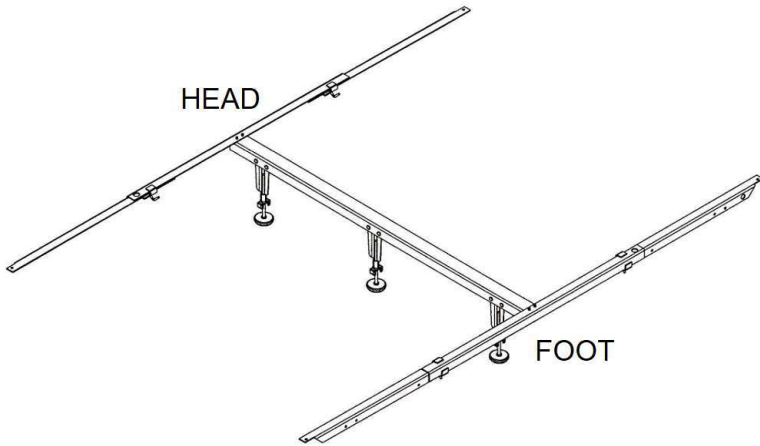


bedCLAW®



Center Support System

Questions or concerns?
Items missing from your shipment?
Need help with installation?

Please email us at
support@wallaceflynn.com



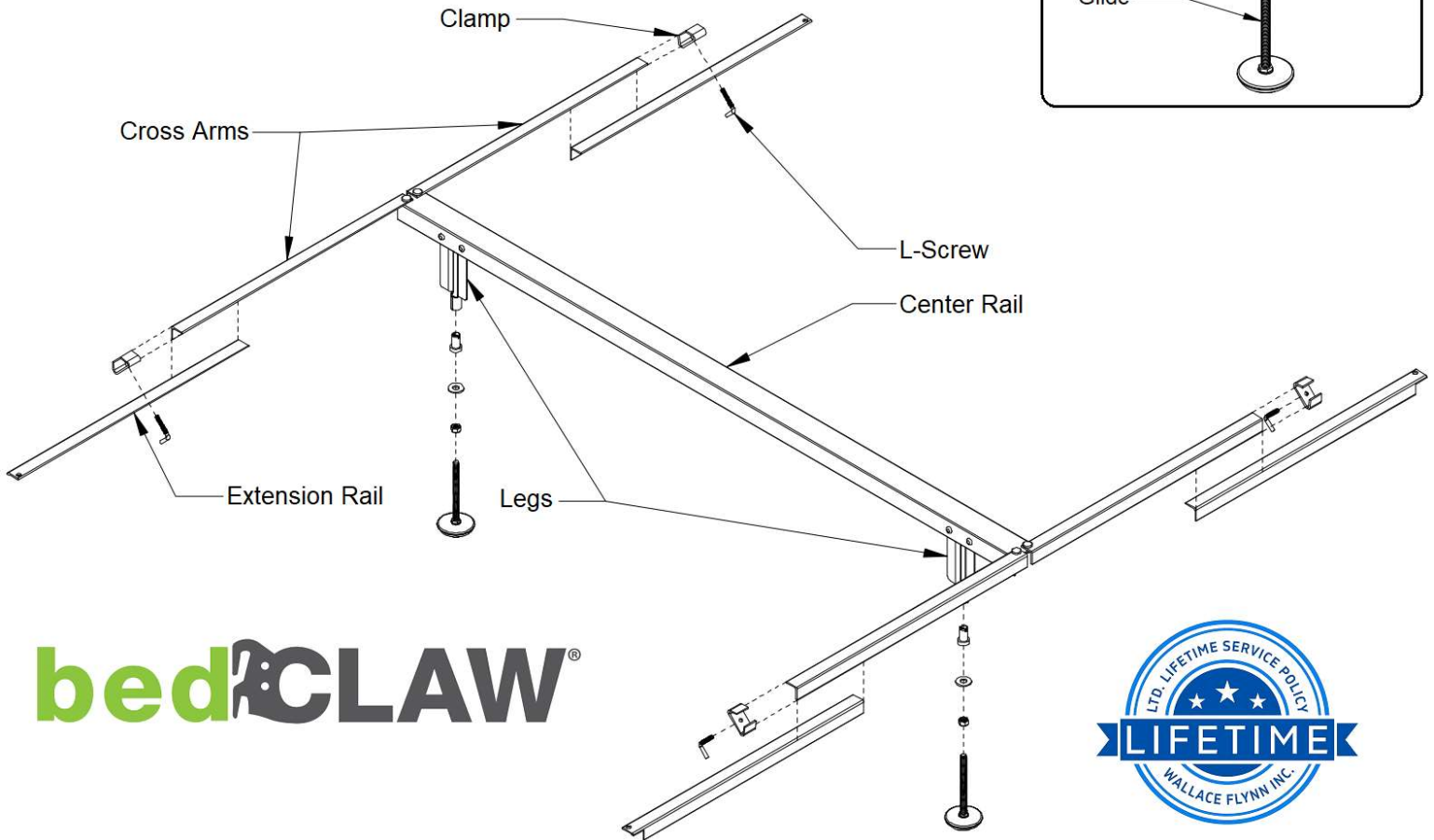
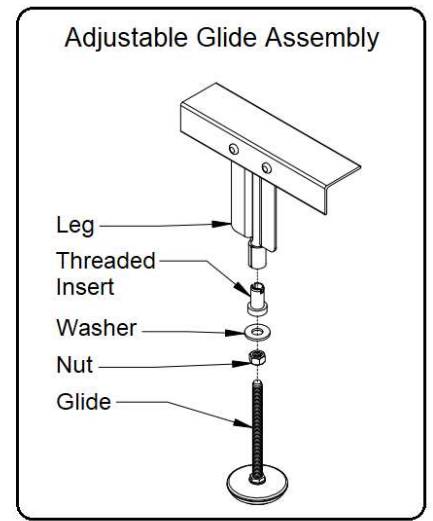
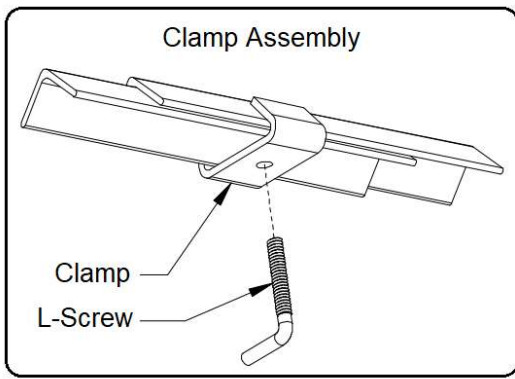
WallaceFlynnCollective.com
©2025 All Rights Reserved | Wallace Flynn Inc

Thank you for your order!
Loyal customers like you keep small businesses like ours in operation, so thank you!
We appreciate your support.

Consider leaving us a review.
Customer reviews help us gauge how our products perform and give other customers valuable information to consider when contemplating a purchase. Please consider posting a review or sharing your own pictures to help other customers.
Thank you!

Assembly instructions inside.

Open me.



bedCLAW®



1. Swing out all four Cross Arms to a right angle (90 degrees)
2. Assemble L-Screws into the Clamp (see top-left)
3. Insert the Clamp on the Cross Arms
4. Determine the desired width
5. Overlap the Extension Rail onto the Cross Arms so that the Center Rail is right in the middle of the bed
6. Slide the Clamp onto the overlapped area
7. Tighten the L-Screws
8. Assemble Glides into the Legs (see top-right)
9. Adjust to the proper height by turning the Glide
10. Tighten the Nut on the Glide

