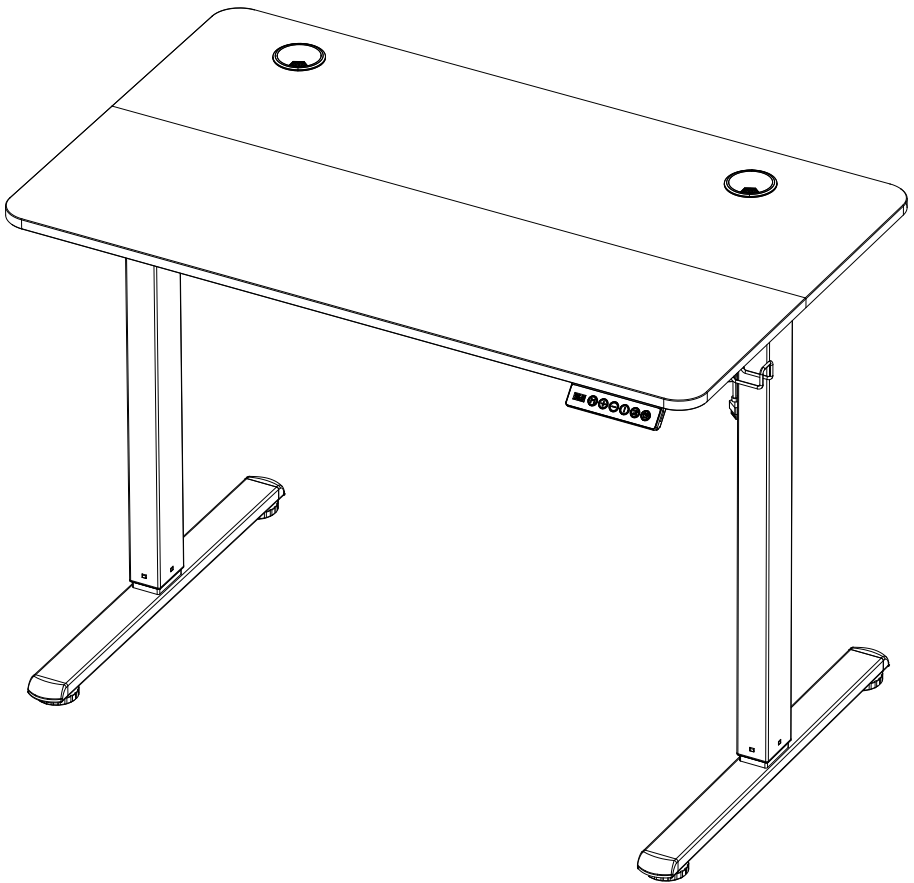


# Gylador

## 40" ELECTRIC STANDING DESK








INSTALLATION MANUAL



## Before Installation and Assembly

Please read the entire instruction manual before beginning installation and assembly. If you have any questions about the instructions or operations, please contact us [service@novahivest.top](mailto:service@novahivest.top)

### Warning:

-  Choking hazard: This product contains small parts that may pose a choking hazard if swallowed. Keep these items out of reach of children.
-  The mount must be installed as specified in the installation instructions. Improper installation may result in damage or serious personal injury.
-  Use proper safety equipment and appropriate tools during installation.
-  This product must be installed by a professional.
-  Ensure that the supporting surface is capable of safely bearing the total weight of the equipment, along with all mounting hardware and components.
-  Use the provided mounting screws. Do not overtighten the screws.
-  Using the product beyond the rated weight capacity may cause instability, potentially leading to injury.

## Components and Assembly Tools



**B1**

Non-Motor Side  
Table Leg (X1)



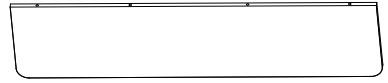
**B2**

Motor Side  
Table Leg (X1)



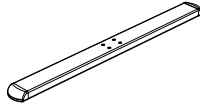
**B3**

Desk Top (X1)



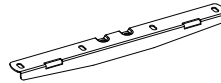
**B4**

Desk Top (X1)



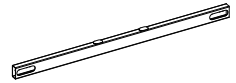
**B5**

Foot (X2)



**B6**

Supporting Plate (X2)



**B7**

Crossbeam (X1)



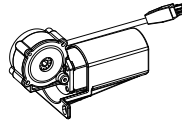
**B8**

Foot Pad (X4)



**B9**

Transmission Rod (X1)



**B10**

Motor (X1)



**B11**

Controller (X1)



**B12**

Desktop Connector (X5)



**B13**

AC Adapter (X1)



**B14**

Hook (X2)



**B15**

Hole Cover (X2)



**a**

M6 x 10mm  
Screw (X6)



**b**

M8 x 16mm  
Screw (X4)



**c**

M6 x 35mm  
Screw (X8)



**d**

PWA4.2 x 13mm  
Screw (X20)



**e**

D8 x 40mm  
Wood Dowel (X4)



**f**

f M5  
Hex Key (X1)



**g**

Cable  
Clip (X2)

## Assembly Instruction

Before starting the assembly, please verify that you have received all required components as listed in the pre-installation checklist. If any parts are missing or defective, please contact us [service@novahivest.top](mailto:service@novahivest.top)

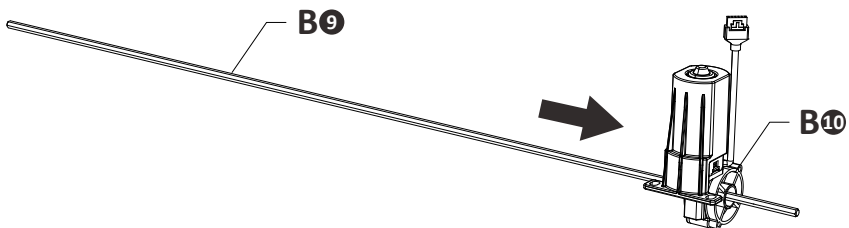
Before starting the assembly, please read the steps carefully and follow the installation guide for proper installation.

Power tools are not recommended for assembling this product.

The company is not responsible for any damage caused by improper installation or misuse due to human error.

### Step 1

Insert the transmission rod into the motor.

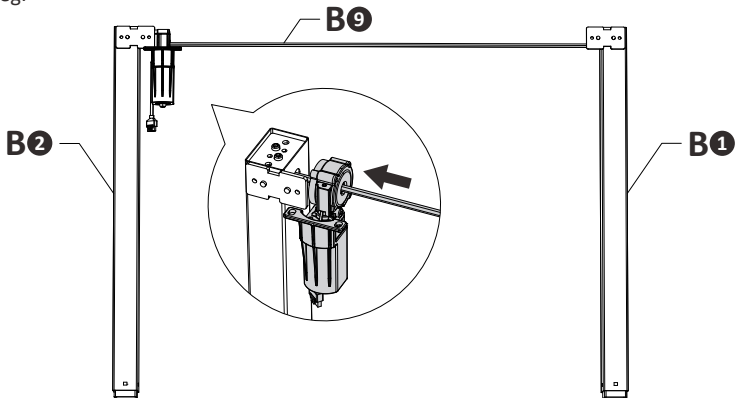


Do not remove the motor protective casing, as it will be used in subsequent assembly steps.

## Assembly Instruction

### Step 2

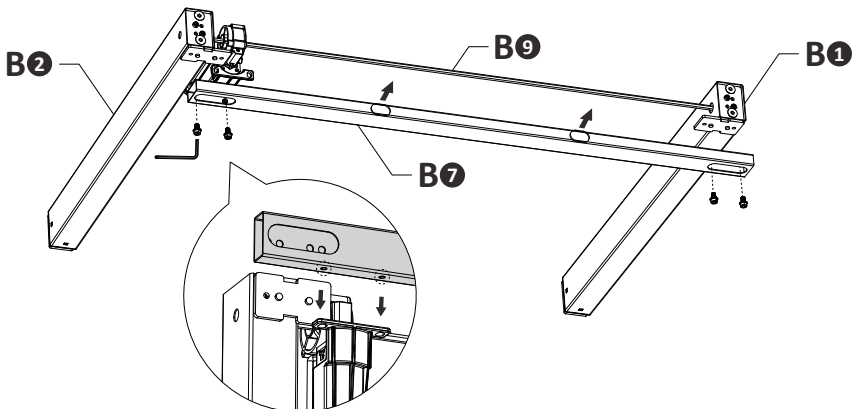
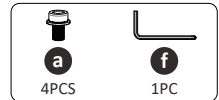
Insert the transmission rod into the B2 desk leg, then insert the other end into the B1 desk leg.



The holes of the motor casing must be positioned above the motor. Any other placement will prevent proper assembly and operation of the product.

### Step 3

Assemble the crossbeam onto the desk legs.

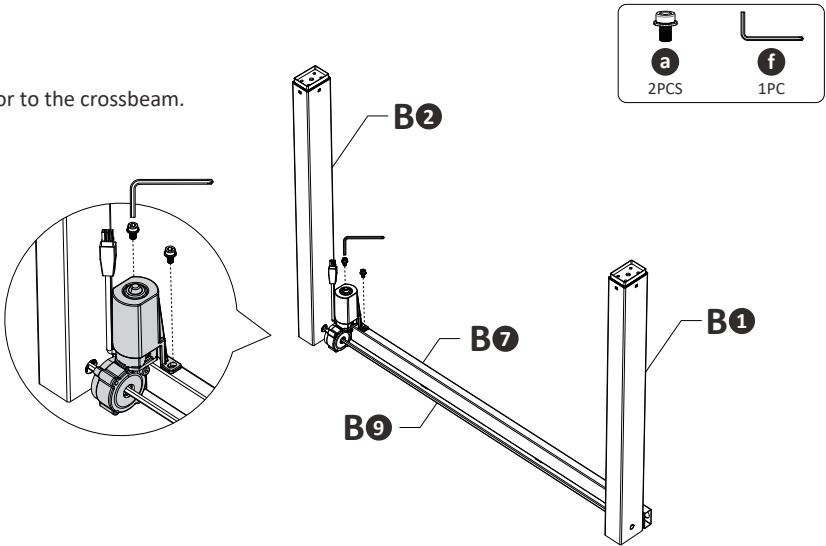


The holes of the motor casing must be positioned above the motor. Any other placement will prevent proper assembly and operation of the product.

## Assembly Instruction

### Step 4

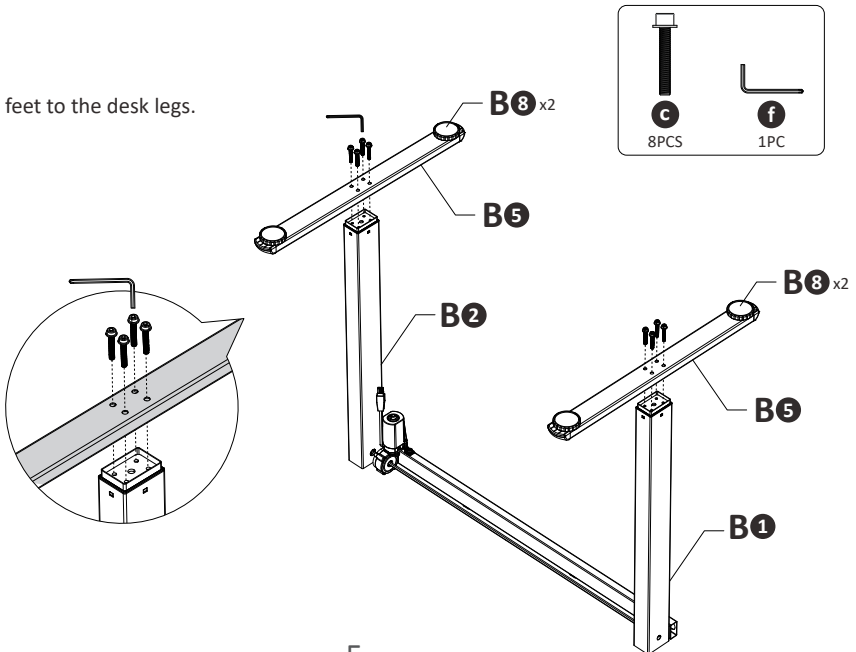
Attach the motor to the crossbeam.



If you encounter difficulty securing the motor here, please return to Step 1 and reassemble, ensuring the mounting hole surface of the motor is parallel to the ground.

### Step 5

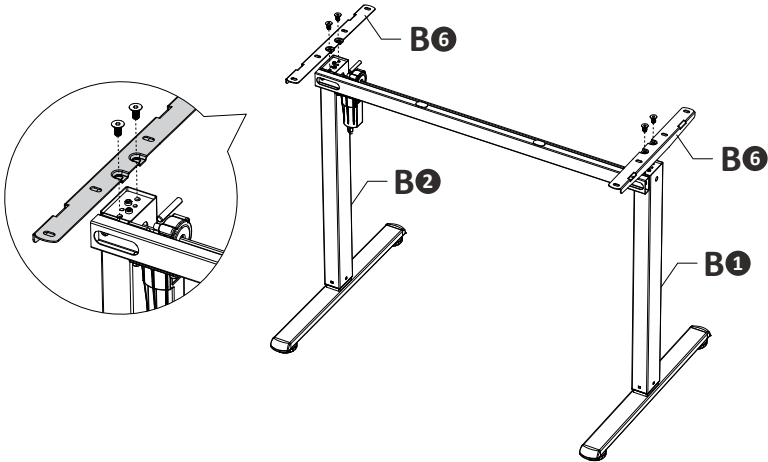
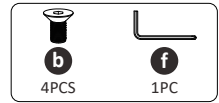
Attach the desk feet to the desk legs.



## Assembly Instruction

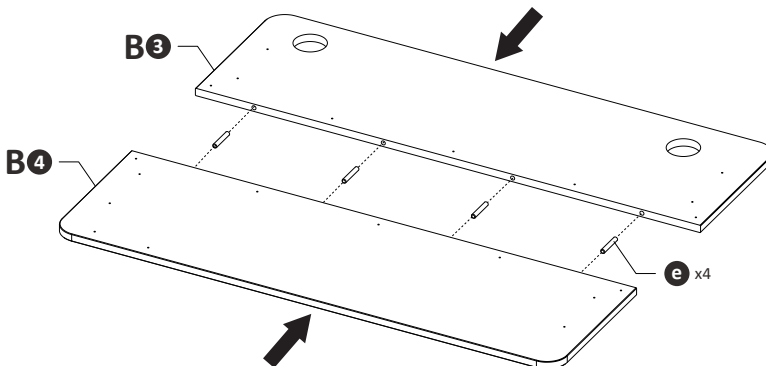
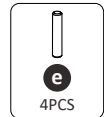
### Step 6

Attach the supporting plates to the desk legs.



### Step 7

Join the two desktop panels together using wooden dowels.



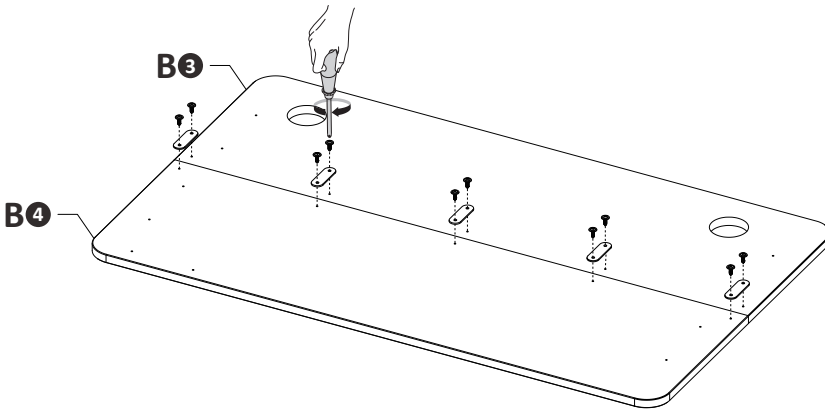
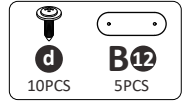
## Assembly Instruction

### Step 8

Secure the two desktop panels together using desktop connectors.



Phillips screwdriver  
Not included

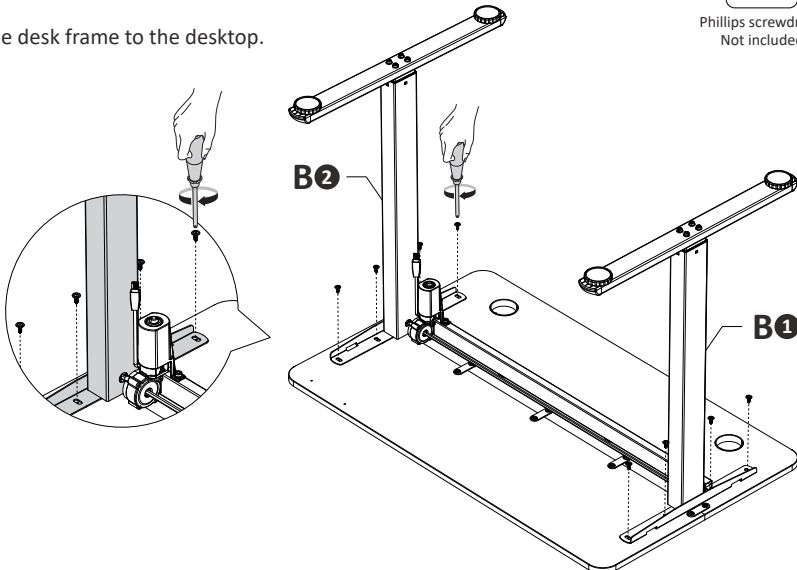


### Step 9

Secure the desk frame to the desktop.

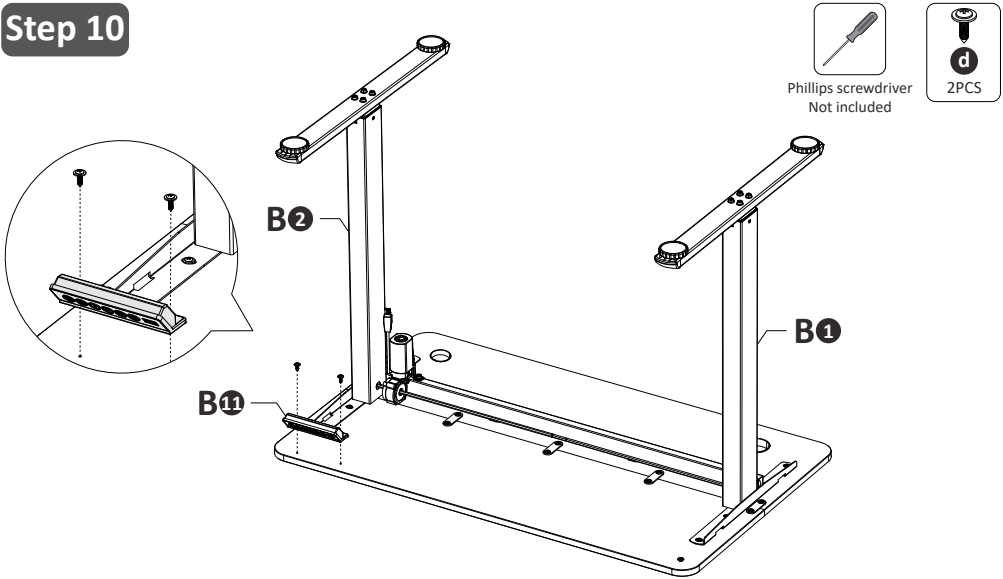


Phillips screwdriver  
Not included

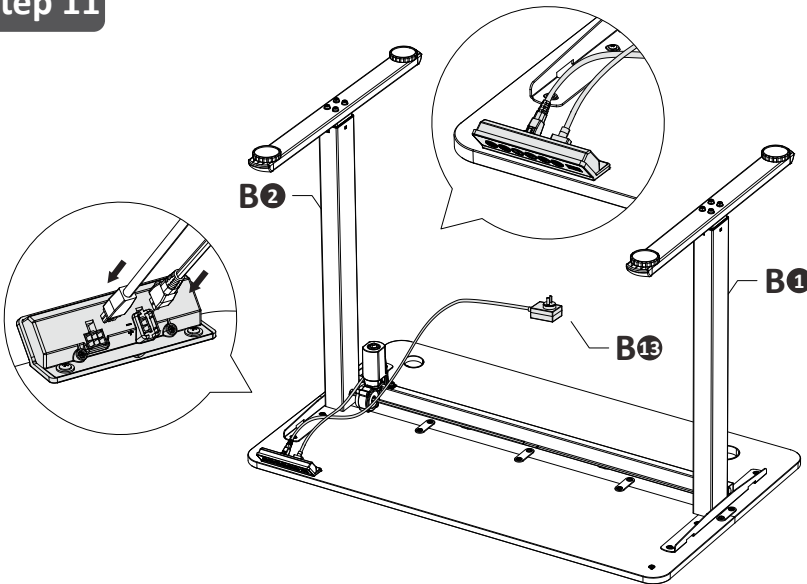


## Assembly Instruction

### Step 10

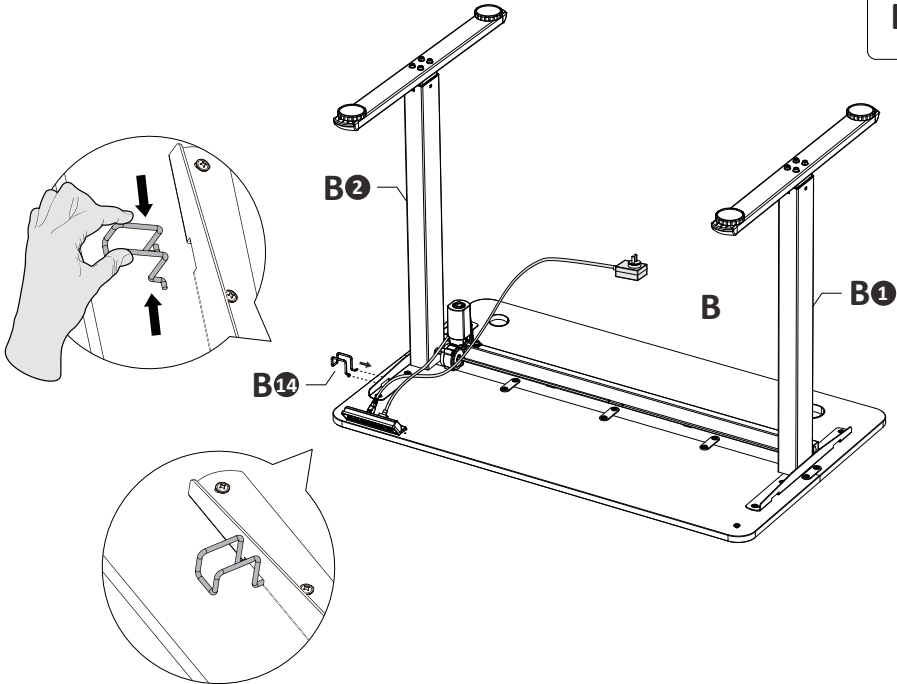
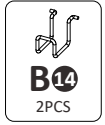


### Step 11

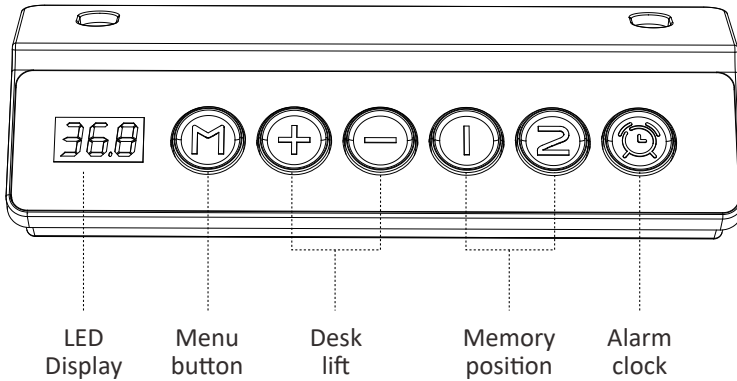


## Assembly Instruction

### Step 12



## Using the Controller



### ■ Display

Shows the current desk height and other information

---

### ■ M

Menu button for saving preferred positions and accessing settings

---

### ■ +

Raises the desk height

---

### ■ -

Lowers the desk height

---

### ■ 1 and 2

Memory position buttons for saving and recalling preferred desk heights

---

### ■ Alarm clock

Set an alarm reminder.

---

## Setting the Controller

### First Time Setup:

When powered on for the first time, the unit beeps once and displays current height. If the height reading is wrong, carry out reset according to instructions in this manual.

---

### Basic Operation:

- **Raising the desk:** Press and hold the "+" button.
  - **Lowering the desk:** Press and hold the "-" button.
- 

### Saving Memory Positions:

1. With the desk stationary, press the "M" button. The display will show "S-".
  2. Press either the "1" or "2" button to save the current desk height to that memory position. The desk can store two height positions, and these are retained even after power loss.
  3. To recall a saved position, press the corresponding "1" or "2" button. The desk will automatically move to that height. Press any button to stop the movement during recall.
- 

### Child Lock:

1. Press and hold the "+" and "-" buttons simultaneously for 5 seconds. The display will show "Loc," indicating the system is locked. The desk cannot be adjusted while locked.
  2. To unlock, simultaneously press and hold the "+" and "-" buttons for 5 seconds again. The display will revert to the normal height display.
- 

### Timer:

1. Each press of the timer button increases the timer by 0.5 hours, up to a maximum of 2 hours. The display will flash for 4 seconds, then the timer indicator (if present in the unit) will illuminate and the timer will begin counting down.
2. When the timer expires, the buzzer will beep five times, and the timer will reset.

## Setting the Controller

### Menu Operation:

1. Enter the settings menu: Press and hold the "M" button for 5 seconds. The menu items will flash.
2. Switch setting items: Short press the "M" button.
3. Adjust values: Short press "+" or "-".
4. Faster adjustment: press and hold "+" or "-" (only for minimum and maximum height settings).
5. Save settings and exit the menu: Press and hold the "M" button, until a progress bar appears, ending on "SOS" for success or "FAL" for failure.
6. Inactivity: The menu will automatically exit after 10 seconds of inactivity.

Menu Operation	Display	Range/Values	Remarks
Minimum Height Setting	28.7 ~ 42.5	28.7 ~ 42.5 inch	Must be at least 3.9 inch less than the maximum height setting.
Maximum Height Setting	32.7 ~ 46.5	32.7 ~ 46.5 inch	Must be at least 3.9 inch greater than the minimum height setting.
Board Thickness Setting	0 ~ 11.8	0 ~ 11.8 inch	Sets the desktop board thickness.
Upward Obstacle Sensitivity	PC0 ~ PC5	0-5(0: Off, 1-5: Sensitivity levels)	A higher value means it's more easily triggered.
Downward Obstacle Sensitivity	DC0 ~ DC5	0-5(0: Off, 1-5: Sensitivity levels)	A higher value means it's more easily triggered.
Tilt Sensor Sensitivity	SS0 ~ SS5	0-5(0: Off, 1-5: Sensitivity levels)	A higher value means it's more easily triggered.
Display Unit Setting	U-	0 1	Units: cm Units: inch

## Setting the Controller

### Reset Operation:

1. Press and hold the "-" button until the desk stops moving at its lowest position. Continue holding for 5 seconds. The display will show " r 5t ", indicating the start of the reset process.
  2. The desk will slowly descend to its lowest position and rebound slightly. Release the "-" button. The reset is complete.
  2. If any issues occur during the reset, release the "-" button immediately to stop the process. You will need to repeat the reset operation until successful. The desk cannot be operated until a successful reset is performed.
- 

### Energy Saving Mode:

If no buttons are pressed for 1 minute, the controller enters energy-saving mode. The display will turn off, and the controller will consume minimal power. Press any button to exit energy-saving mode.

## Troubleshooting

**We can help! [service@novahivest.top](mailto:service@novahivest.top)**

For any undocumented error codes, please contact us with the code shown on your display. Our technical team will assist you with troubleshooting within 24 hours. Thank you for your patience and cooperation!

### Error Code Table

“r” = “ᠷ”    “s” = “ᠰ”    “t” = “ᠲ”    “c” = “ᠴ”    “h” = “ᠬ”    “o” = “ᠣ”    “E” = “ᠡ”

Error	Code Handling	
Self-test Fail - Standby Current Abnormal	sc0	Unplug the desk from the wall outlet, then plug it back in. If the problem persists, <u>hand control unit</u> may be faulty and need to be replaced.
Self-test Fail - Main Power Voltage Abnormal	sc1	Unplug the desk from the wall outlet, then plug it back in. If the problem persists, <u>hand control unit</u> or <u>power supply unit</u> may be faulty and need to be replaced.
Self-test Fail - Drive Voltage Abnormal	sc4	Unplug the desk from the wall outlet, then plug it back in. If the problem persists, <u>hand control unit</u> may be faulty and need to be replaced.
Overheat Protection	hot	The motor is too hot. The desk will work again automatically after a cooling period of 18 minutes.
Main Power Voltage Abnormal	r-6	The alarm will automatically clear when the main power voltage returns to normal. If problem persists or occurs often, <u>hand control unit</u> or <u>power supply unit</u> may be faulty and need to be replaced
Reset Incomplete	ᠷᠰᠲ	Complete the reset process.

## Troubleshooting

Drive Circuit Short Circuit	E10	Unplug the desk from the wall outlet, then plug it back in. If the problem persists, <b>hand control unit</b> may be faulty and need to be replaced.
Overload Protection	E11	Remove weight from the desk. Check if anything is blocking the desk or its electric motor system. <b>WARNING: To avoid injury and/or damage, do not operate the desk until you have checked that there are no obstructions and total weight on the table does not its maximum permitted load.</b>
Motor Phase Missing	E12	Check that the motor cables are properly connected. Reconnect the cables and reset the desk.If the problem persists, <u>hand control unit</u> or <u>motor unit</u> may be faulty and need to be replaced.
Motor Hall Signal Error	E13	Check that the motor cables are properly connected. Reconnect the cables and reset the desk.If the problem persists, <u>hand control unit</u> or <u>motor unit</u> may be faulty and need to be replaced.
Obstruction Detected	E14	The desk has stopped because something is in the way. The desk has moved back 5 cm to prevent damage, then the alarm will clear. <b>WARNING: To avoid injury and/or damage, do not operate the desk until you have checked that there are no obstructions.</b>
Motor Cable Unplugged	E16	Check that the motor cables are properly connected. Reconnect the cables and reset the desk.If the problem persists, <u>hand control unit</u> or <u>motor unit</u> may be faulty and need to be replaced.
Mechanical Fault	E17	Check if the desk is properly assembled. If you require assistance, please contact customer support. <b>WARNING: To avoid injury and/or damage, do not operate the desk until you have checked that the desk was properly assembled according to this manual and no unauthorised changes/repairs were carried out.</b>