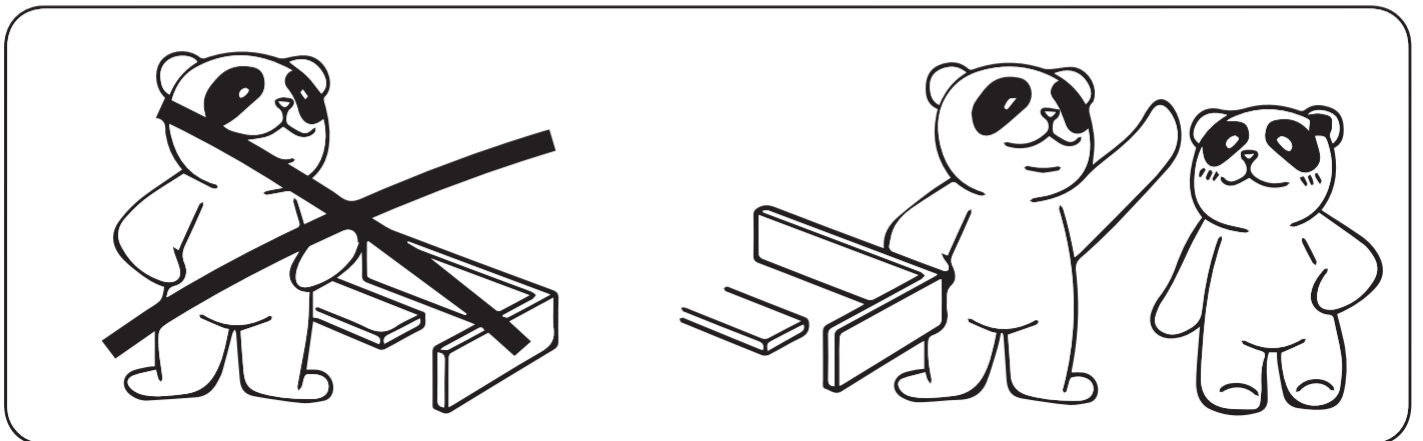
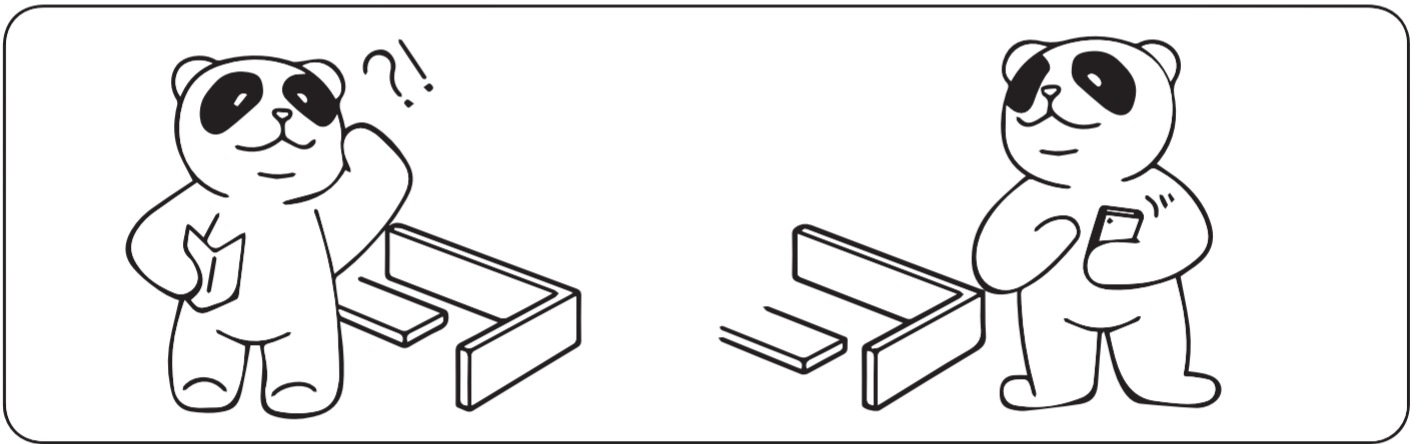
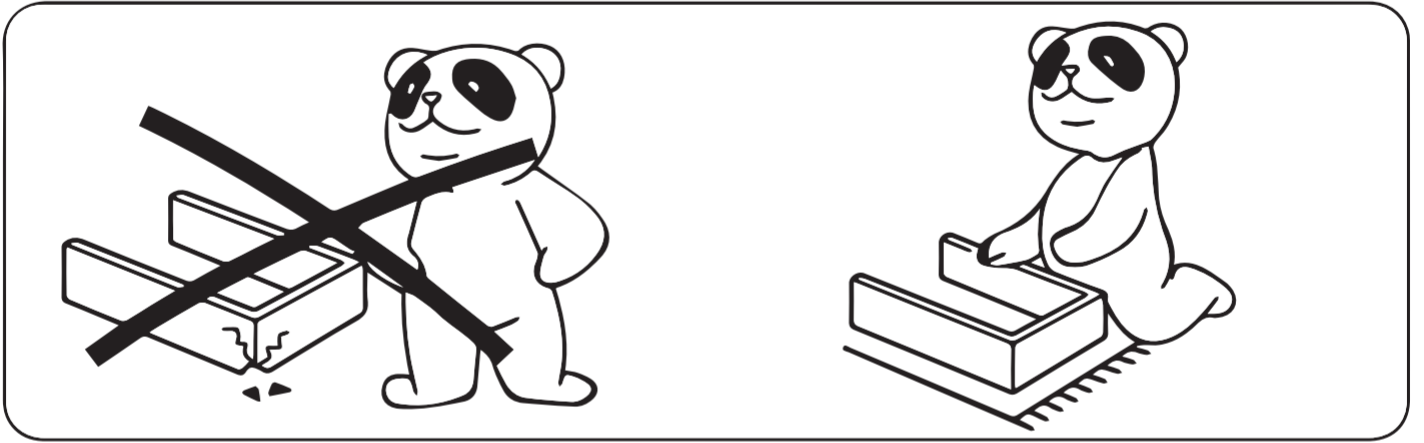
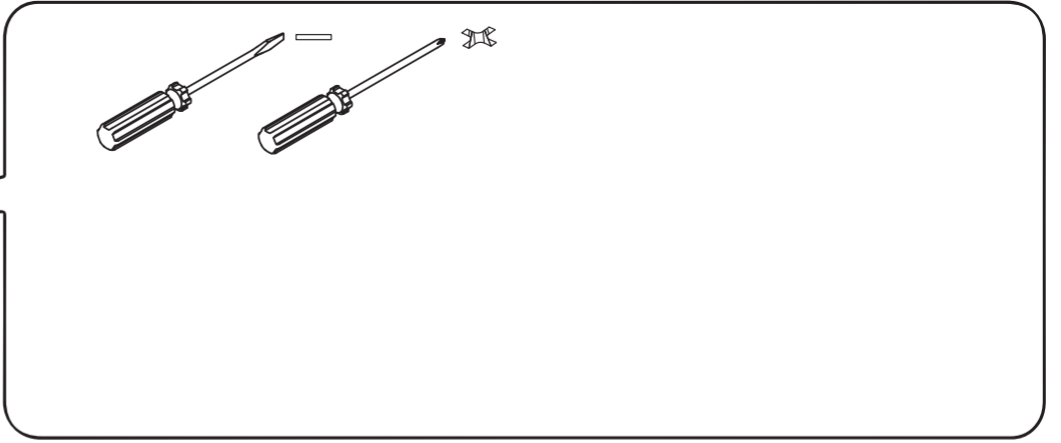
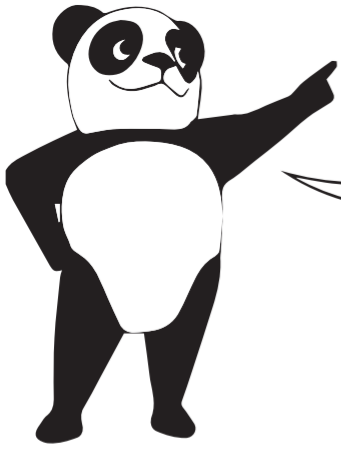


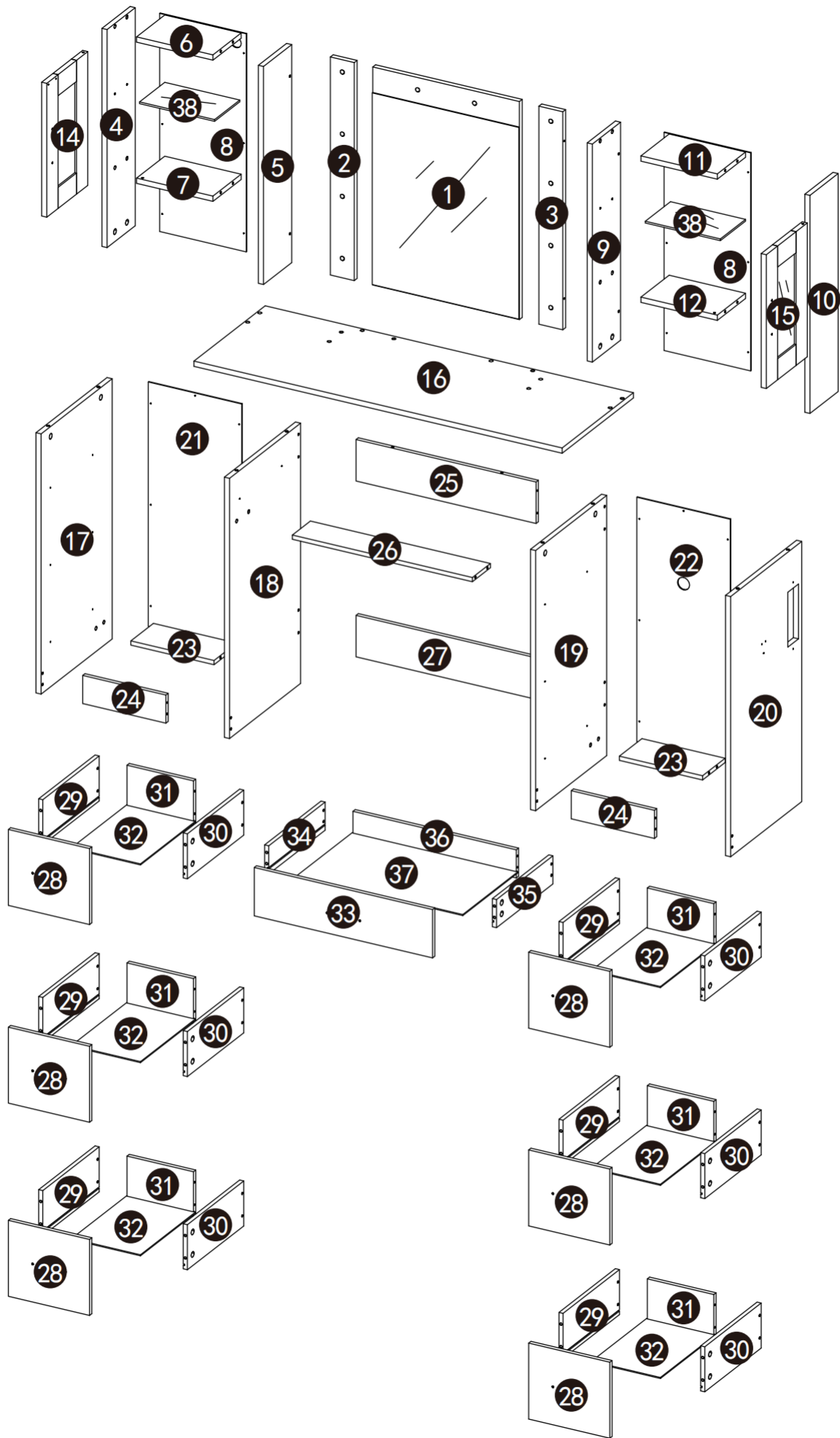


EFST38

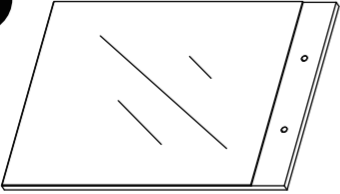




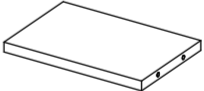
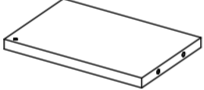



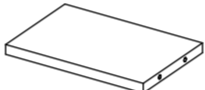
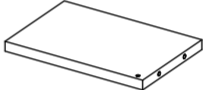
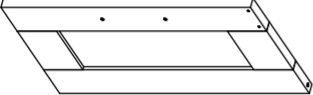
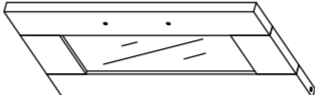
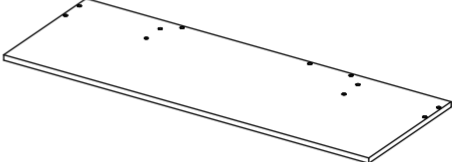
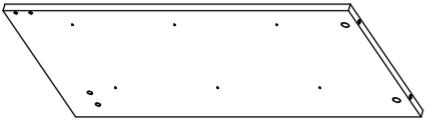
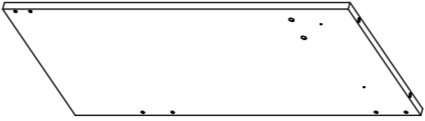

Instruction Manual

Thanks a lot your support and purchasing.
Please feel free to contact us if you have any questions with assembly or need replacement parts.



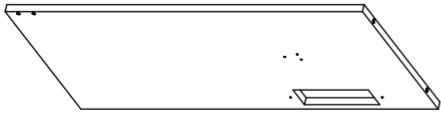


PARTS LIST

<p>1</p>  <p>470x639x12mm x1</p>	<p>2</p>  <p>60x639x12mm x1</p>	<p>3</p>  <p>60x639x12mm x1</p>
<p>4</p>  <p>640x140x12mm x1</p>	<p>5</p>  <p>640x140x12mm x1</p>	<p>6</p>  <p>204x139x12mm x1</p>
<p>7</p>  <p>204x139x12mm x1</p>	<p>8</p>  <p>228x642x4mm x2</p>	<p>9</p>  <p>640x140x12mm x1</p>
<p>10</p>  <p>640x140x12mm x1</p>	<p>11</p>  <p>204x139x12mm x1</p>	<p>12</p>  <p>204x139x12mm x1</p>
<p>14</p>  <p>198x394x12mm x1</p>	<p>15</p>  <p>198x394x12mm x1</p>	<p>16</p>  <p>1050x400x15mm x1</p>
<p>17</p>  <p>745x399x12mm x1</p>	<p>18</p>  <p>745x399x12mm x1</p>	<p>19</p>  <p>745x399x12mm x1</p>

PARTS LIST

20



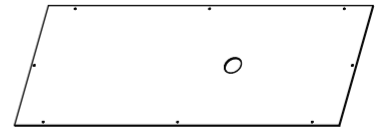
745x399x12mm x1

21



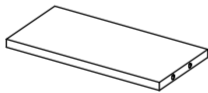
249x689x4mm x1

22



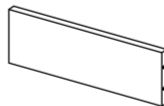
249x689x4mm x1

23



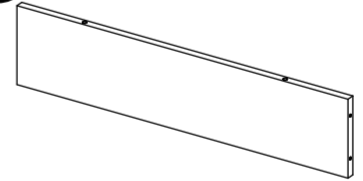
225x100x12mm x1

24



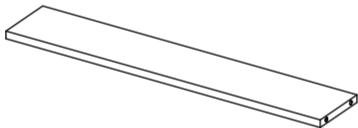
225x80x12mm x2

25



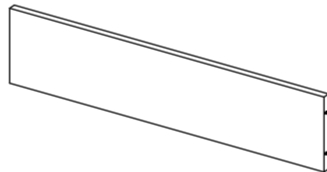
548x100x12mm x2

26



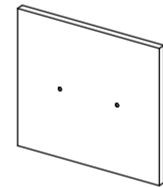
548x80x12mm x1

27



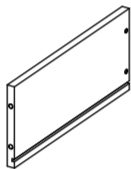
548x120x12mm x1

28



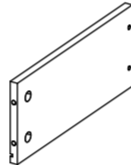
246x218x12mm x6

29



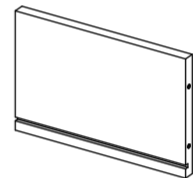
300x140x12mm x6

30



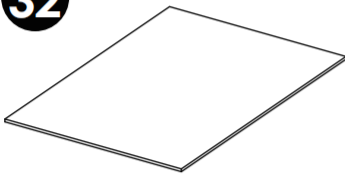
300x140x12mm x6

31



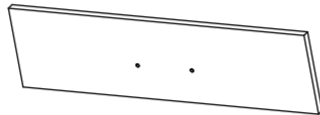
200x140x12mm x6

32



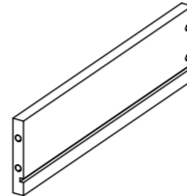
208x296x4mm x6

33



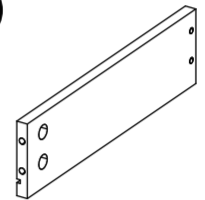
544x139x12mm x1

34



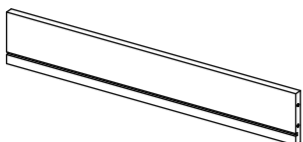
300x100x12mm x1

35



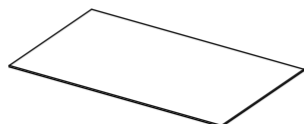
300x100x12mm x1

36



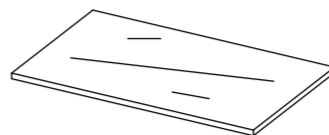
498x100x12mm x1

37





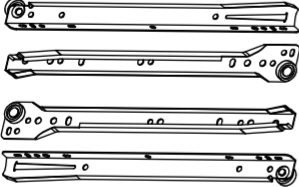




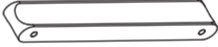
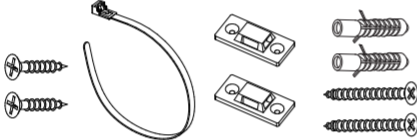


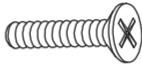


506x296x4mm x1

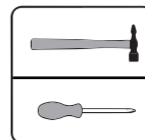
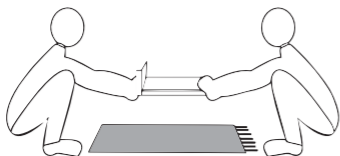
38



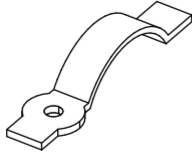
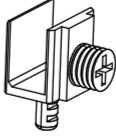
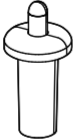
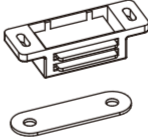
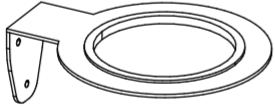


199x116x5mm x2

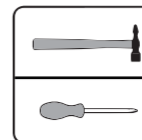
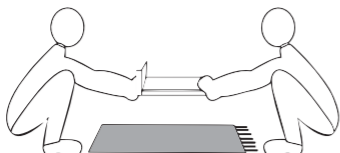
HARDWARE LIST

<p>A  6x40 x78</p>	<p>B  15x11 x78</p>
<p>C  12inches x7</p>	<p>D  x1</p>
<p>E  M3.5x12 x77</p>	<p>F  M5x40/#3 x48/x1</p>
<p>G  x8</p>	<p>H  96mm x9</p>
<p>J  x1</p>	<p>K  x6</p>
<p>L  21mm x20</p>	<p>M  M4x14 x18</p>
<p>N  M3x14 x30</p>	<p>O  LED x1</p>



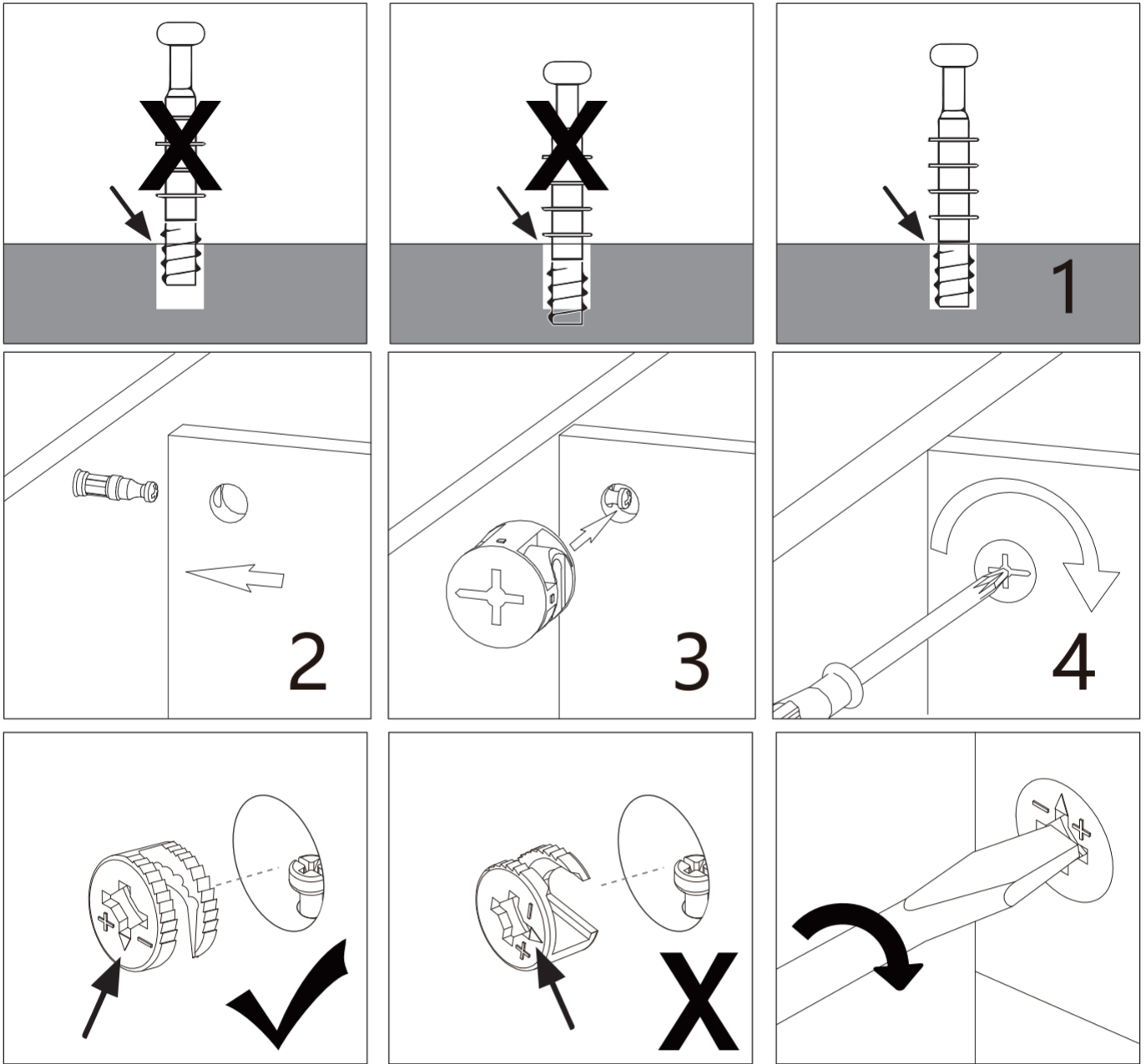
HARDWARE LIST

<p>P</p>  <p>x5</p>	<p>Q</p>  <p>x8</p>
<p>R</p>  <p>x4</p>	<p>S</p>  <p>x2</p>
<p>T</p>  <p>x1</p>	<p>U</p> <p>LED</p>  <p>x1</p>
	<p>W</p>  <p>M3x12</p> <p>x8</p>

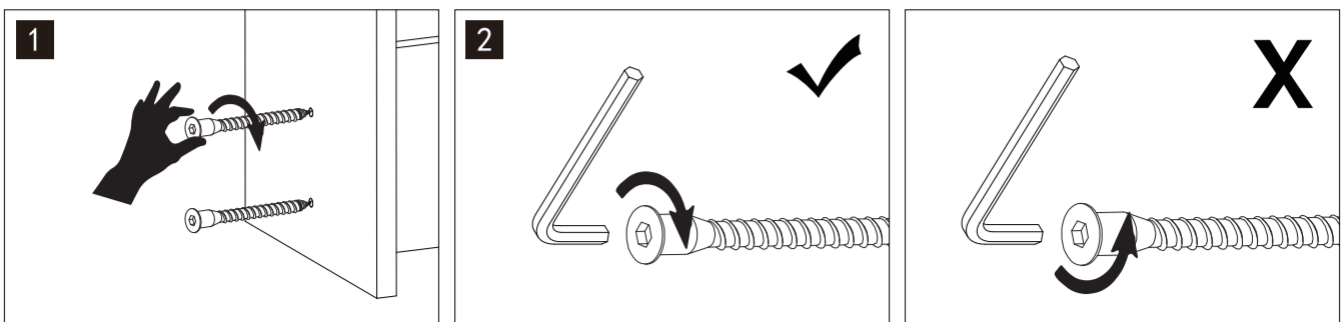


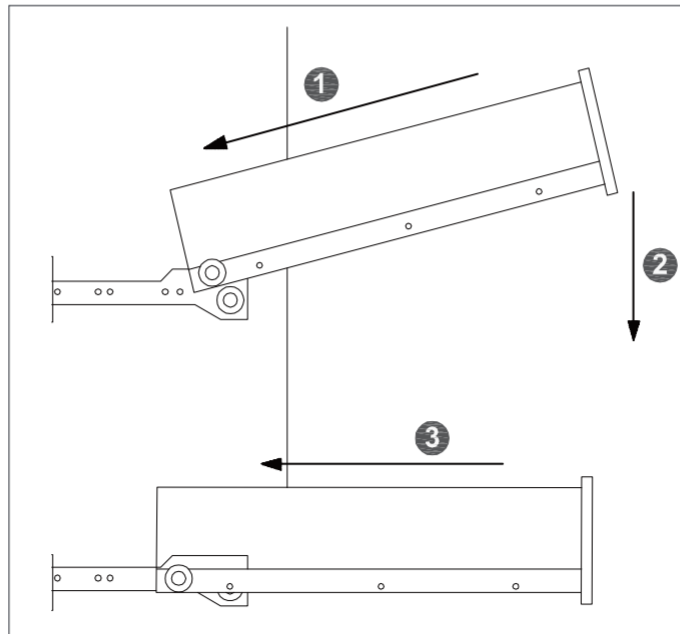
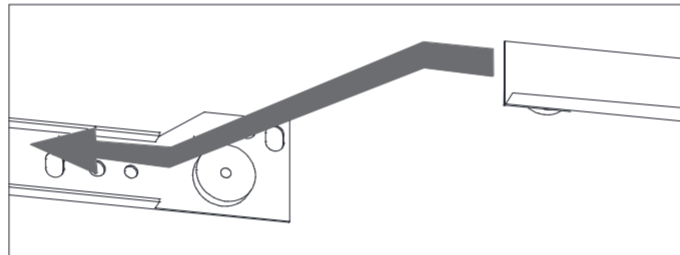
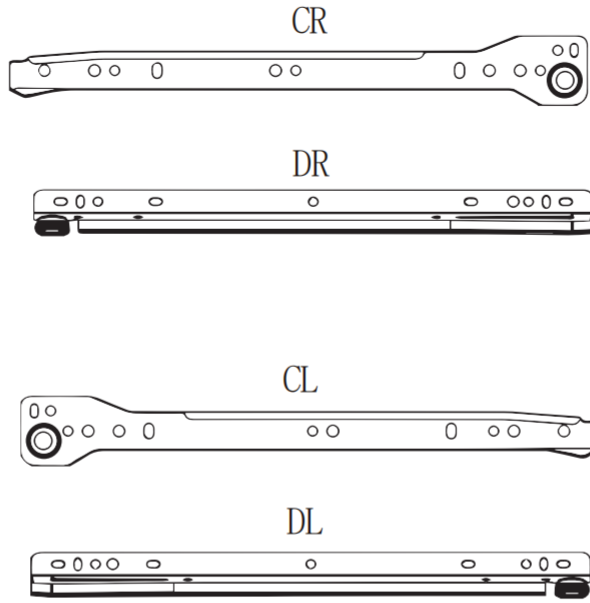
Hardware installation indication

Installation method of three in one rod and buckle

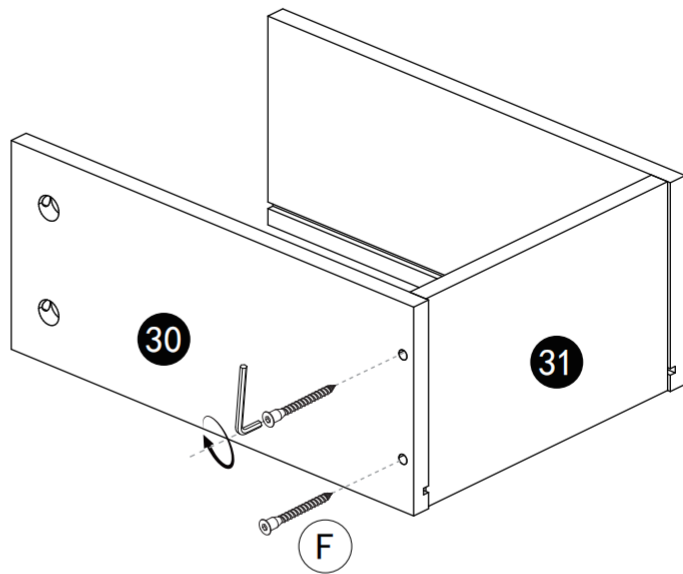
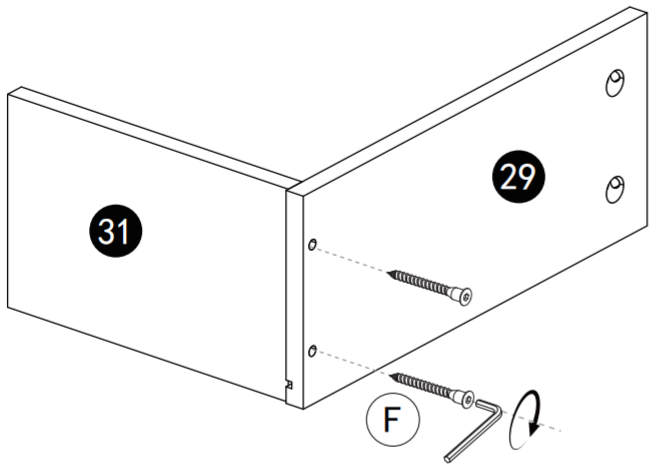


Screw installation method

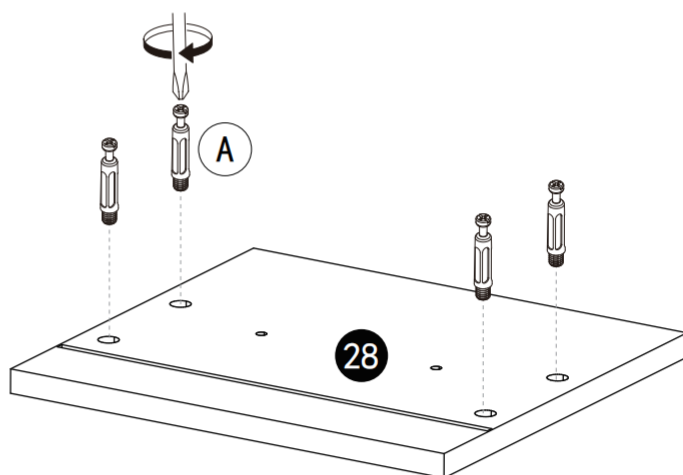
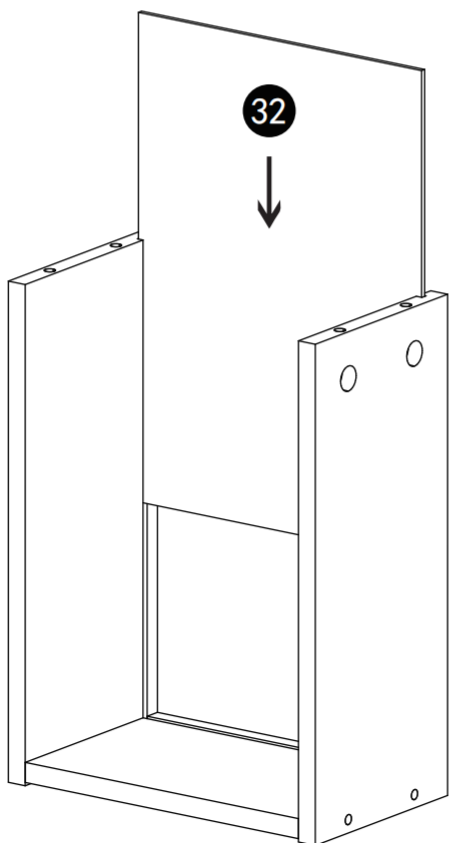






2

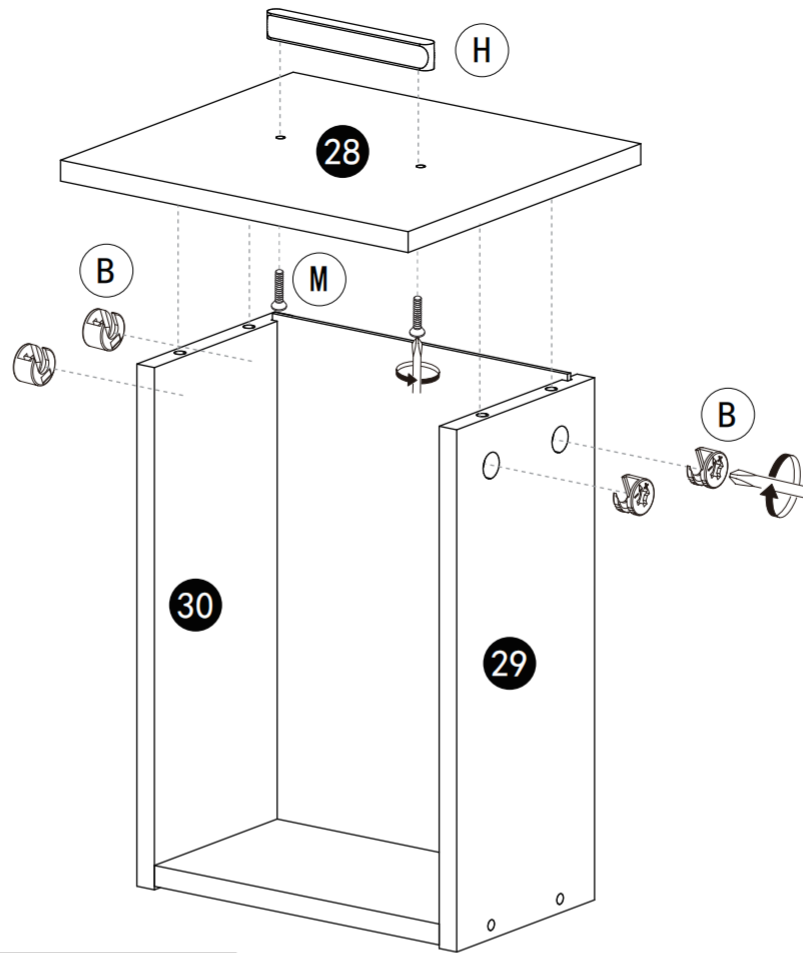





X6



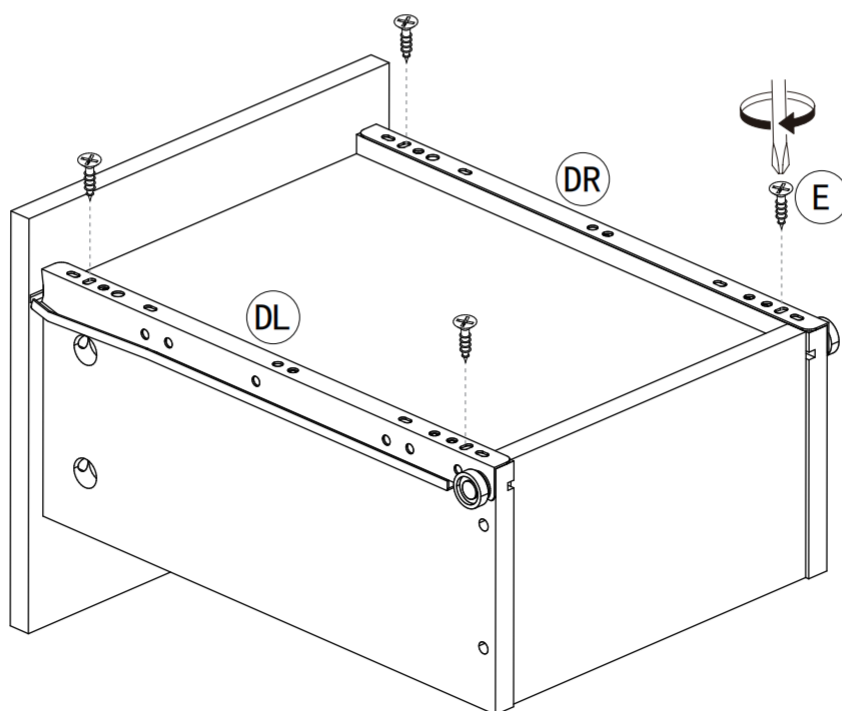
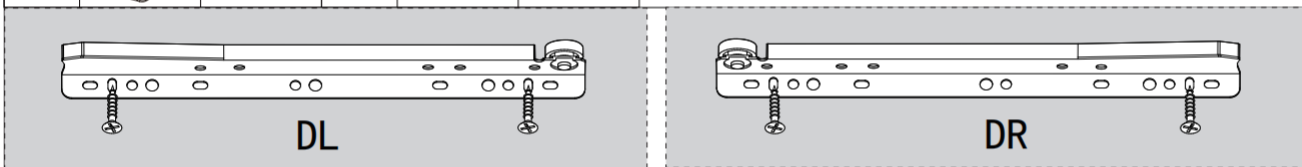
A		x24
F		x24




3



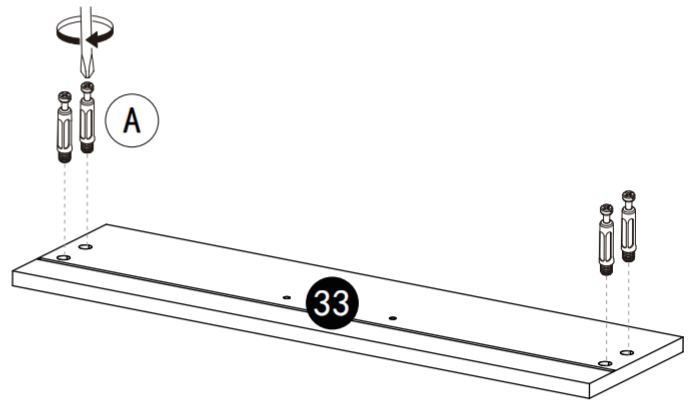
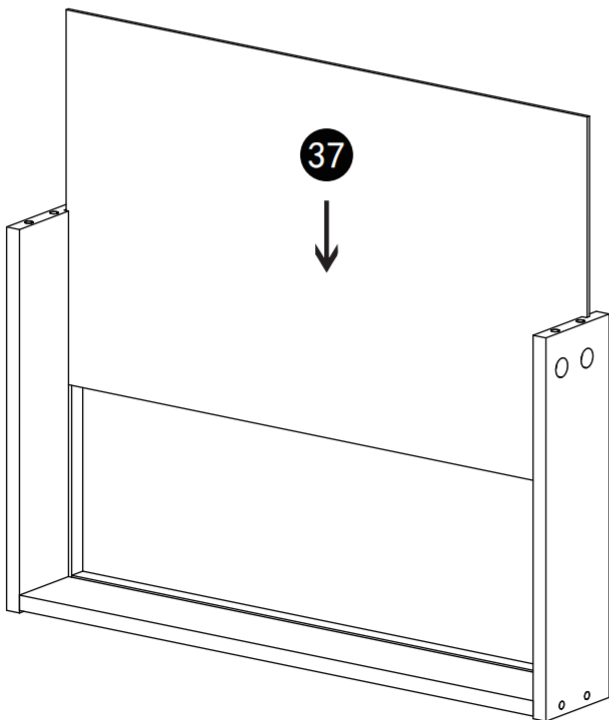
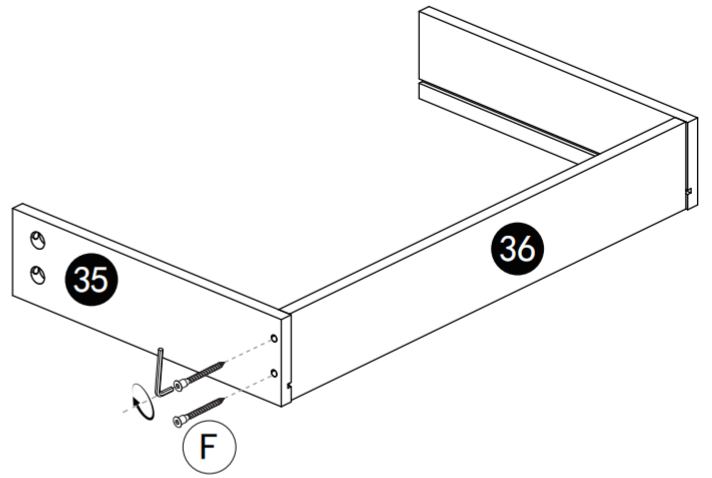
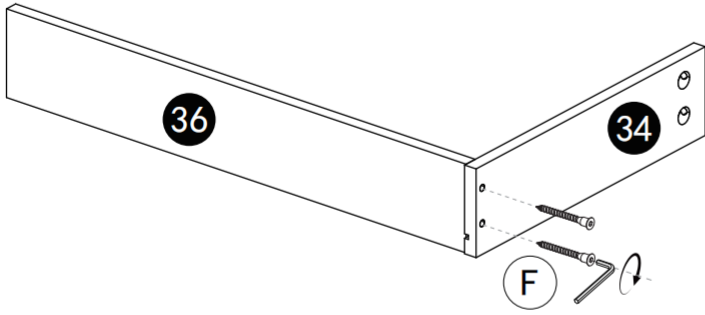
M		x12			
B		x24	H		x6



X6



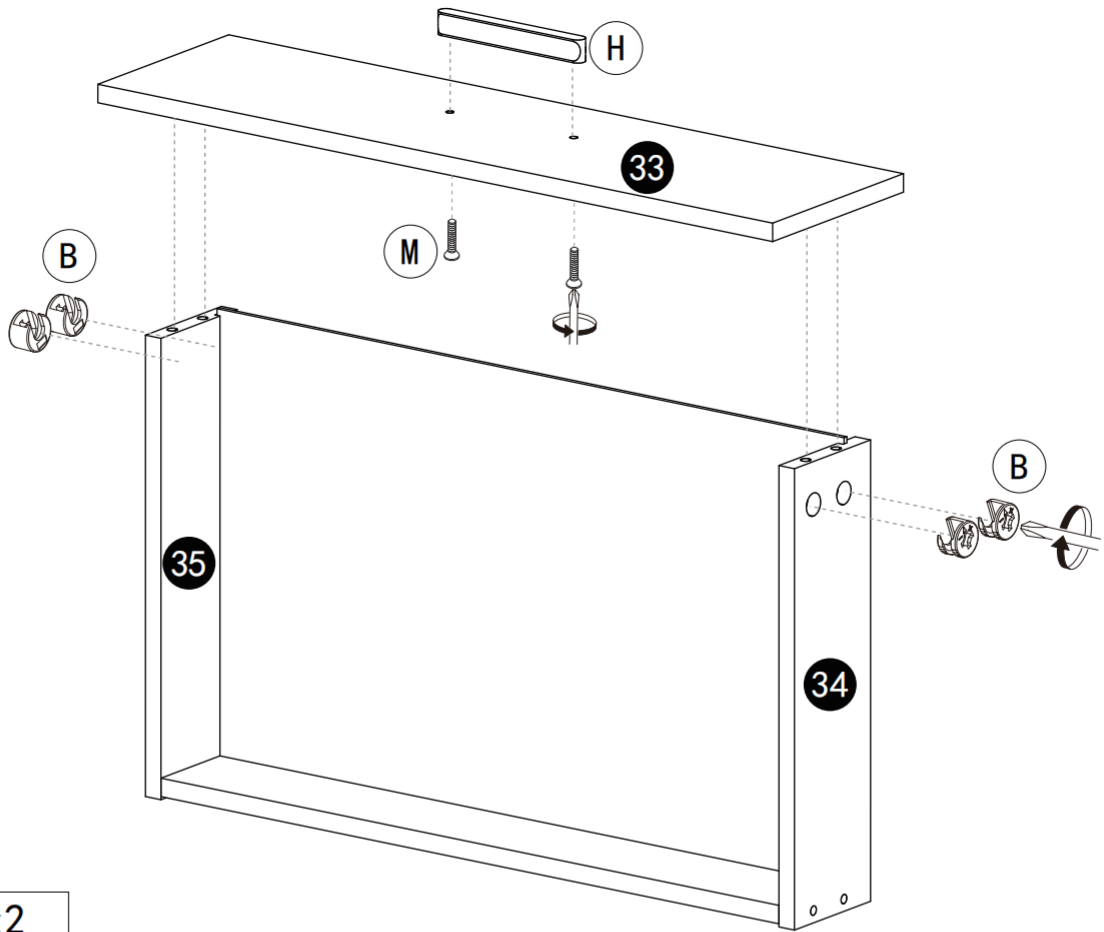
E		x24
DL		x6
DR		x6

4

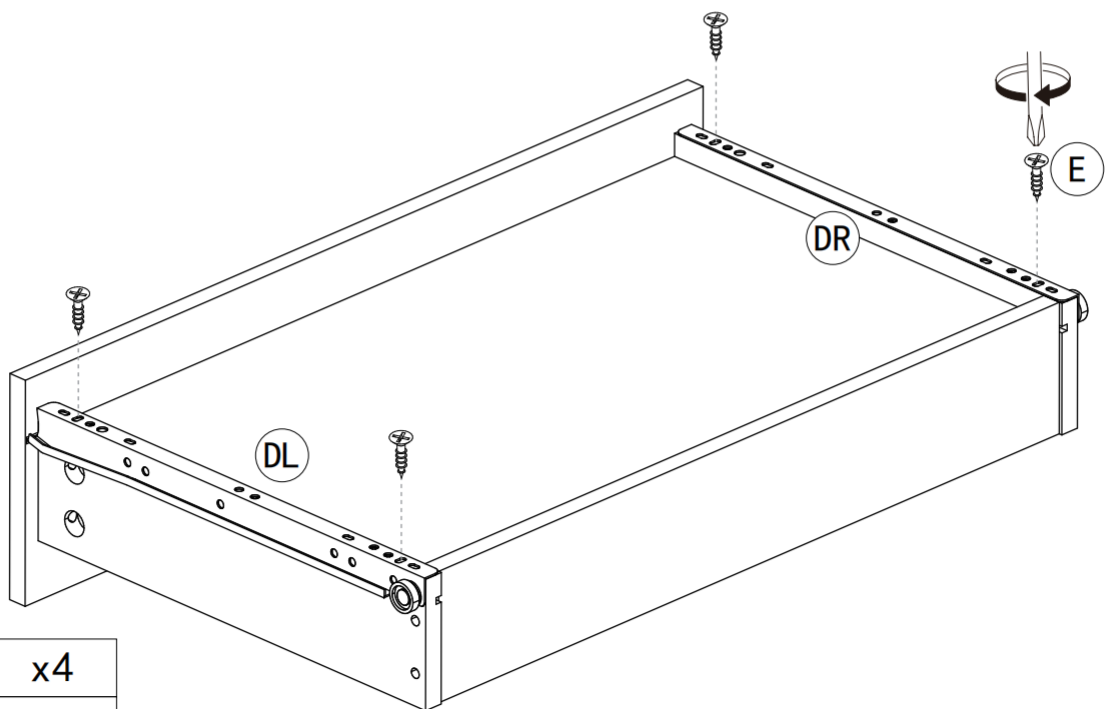
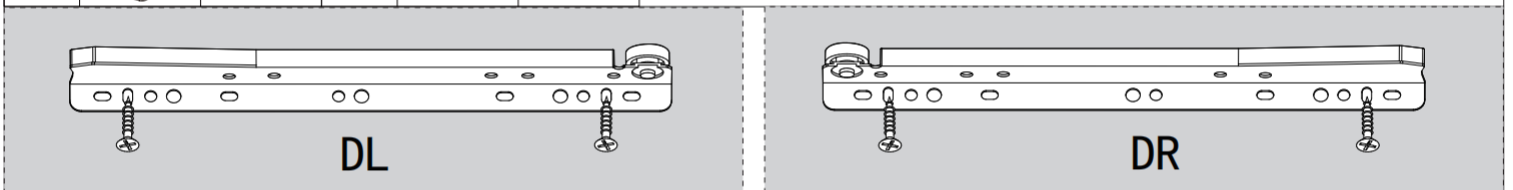


A		x4
F		x4

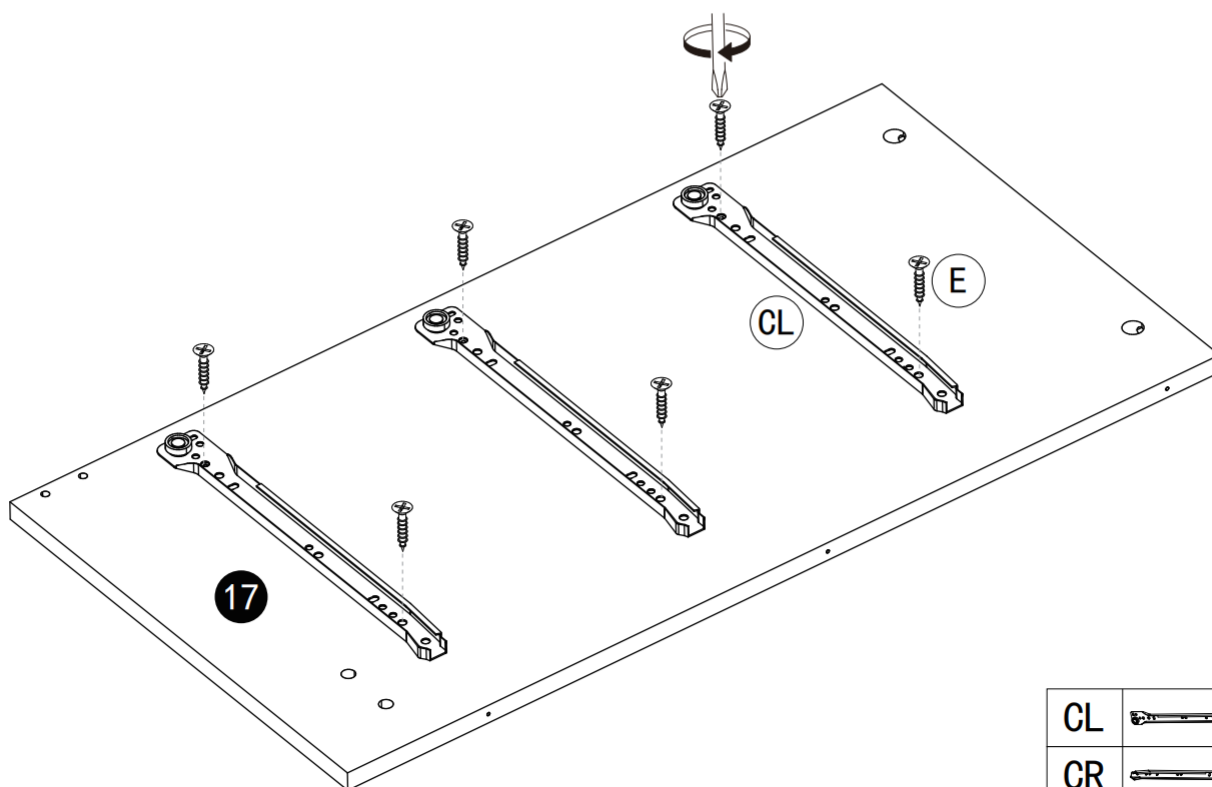
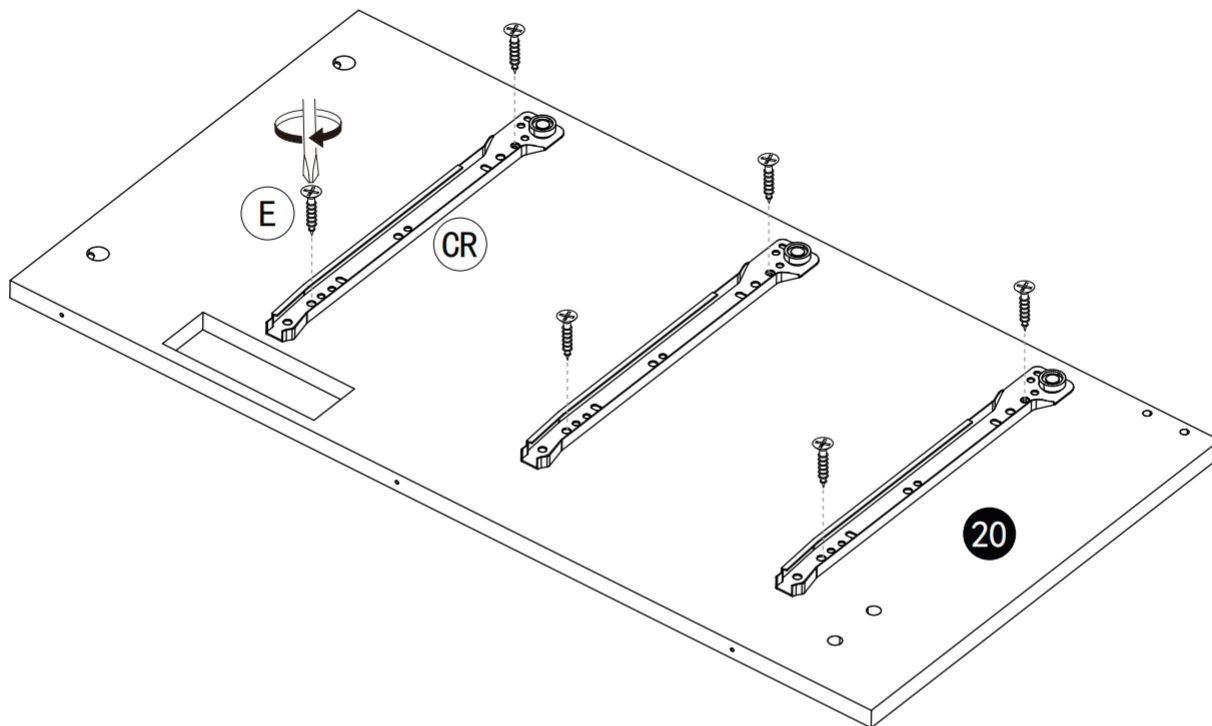
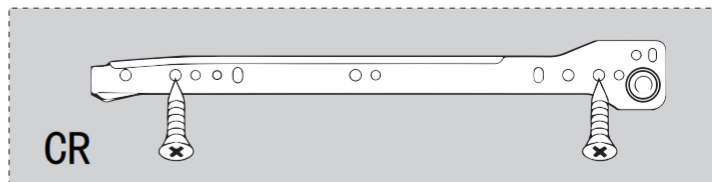
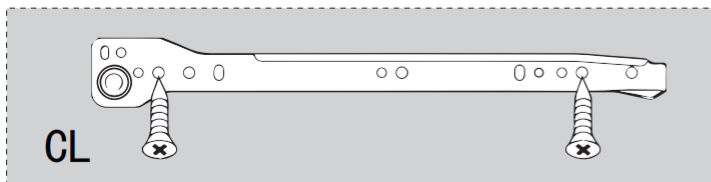
5






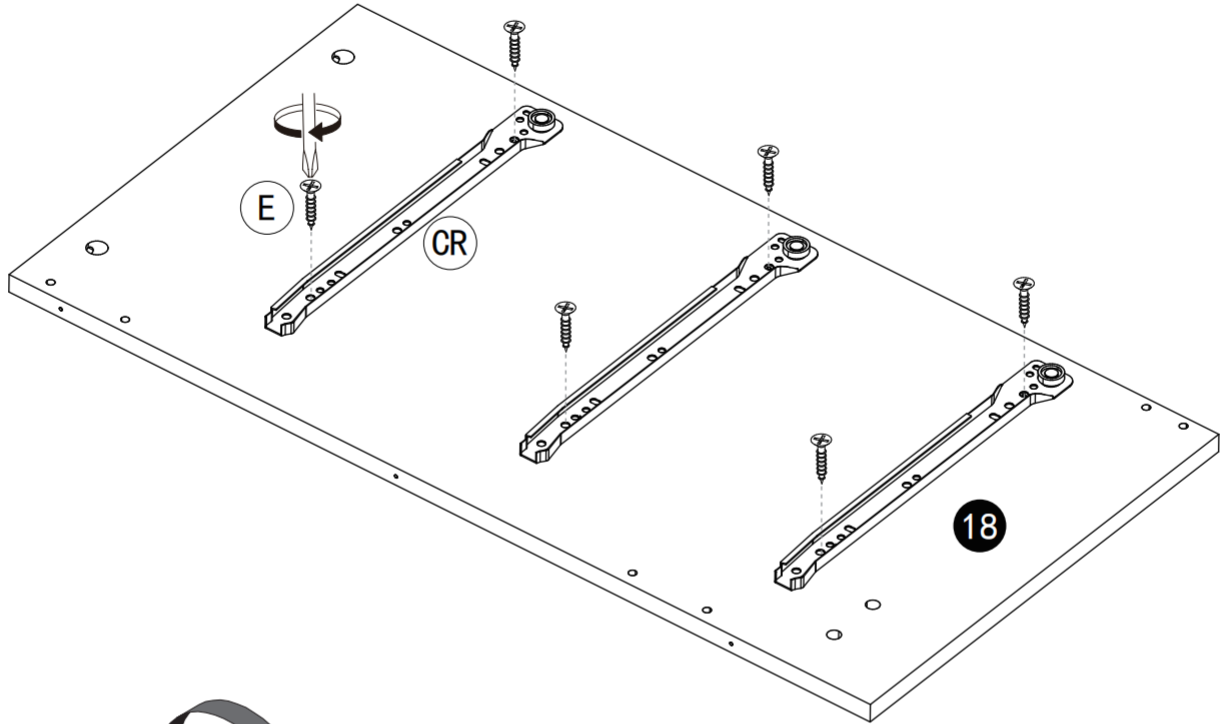
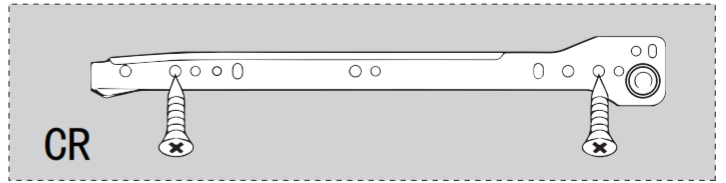
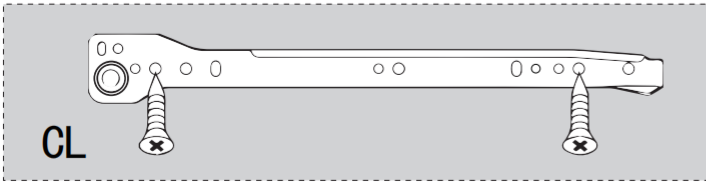
M		x2			
B		x4	H		x1



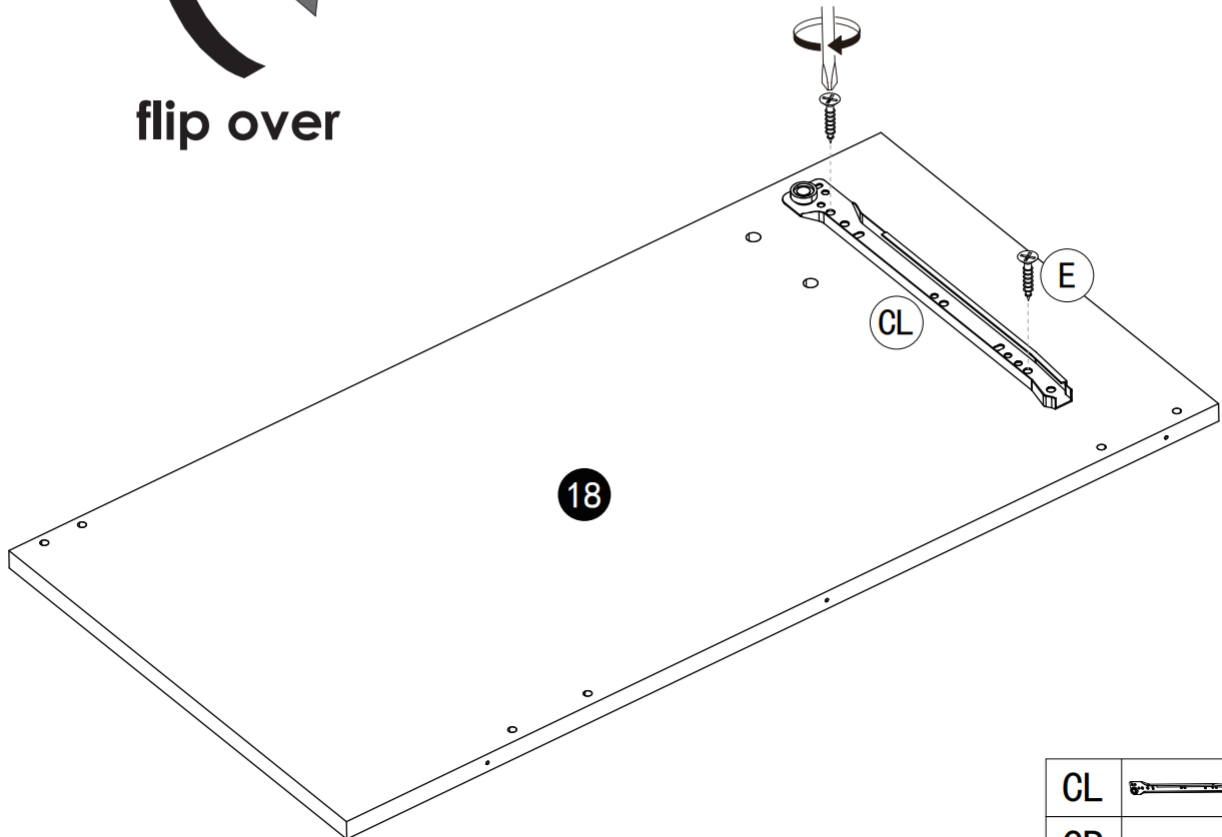
E		x4		
DL		x1		
DR		x1		



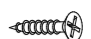


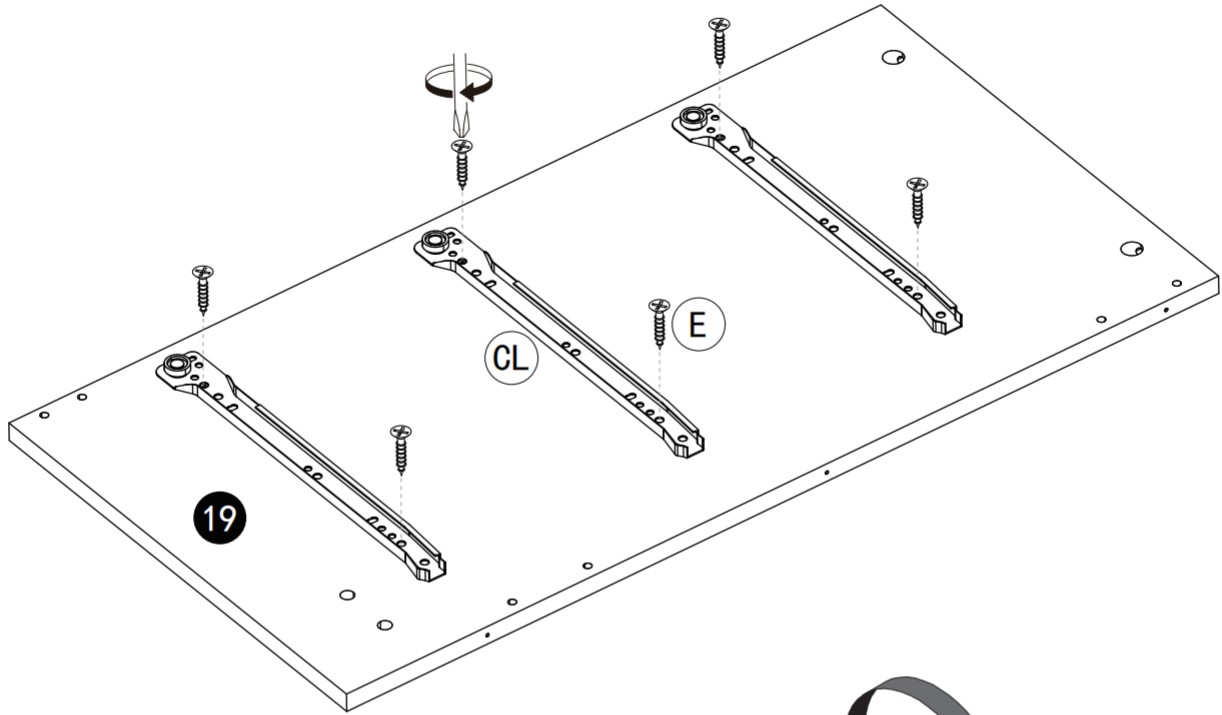
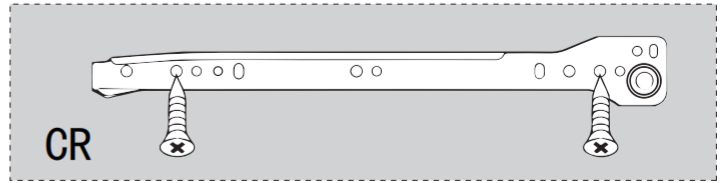
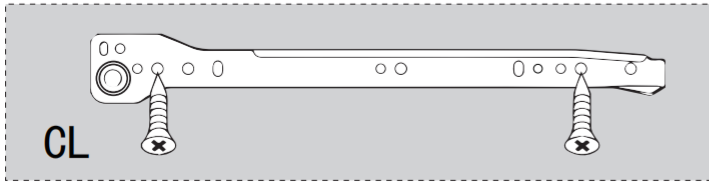
CL		x3
CR		x3
E		x12



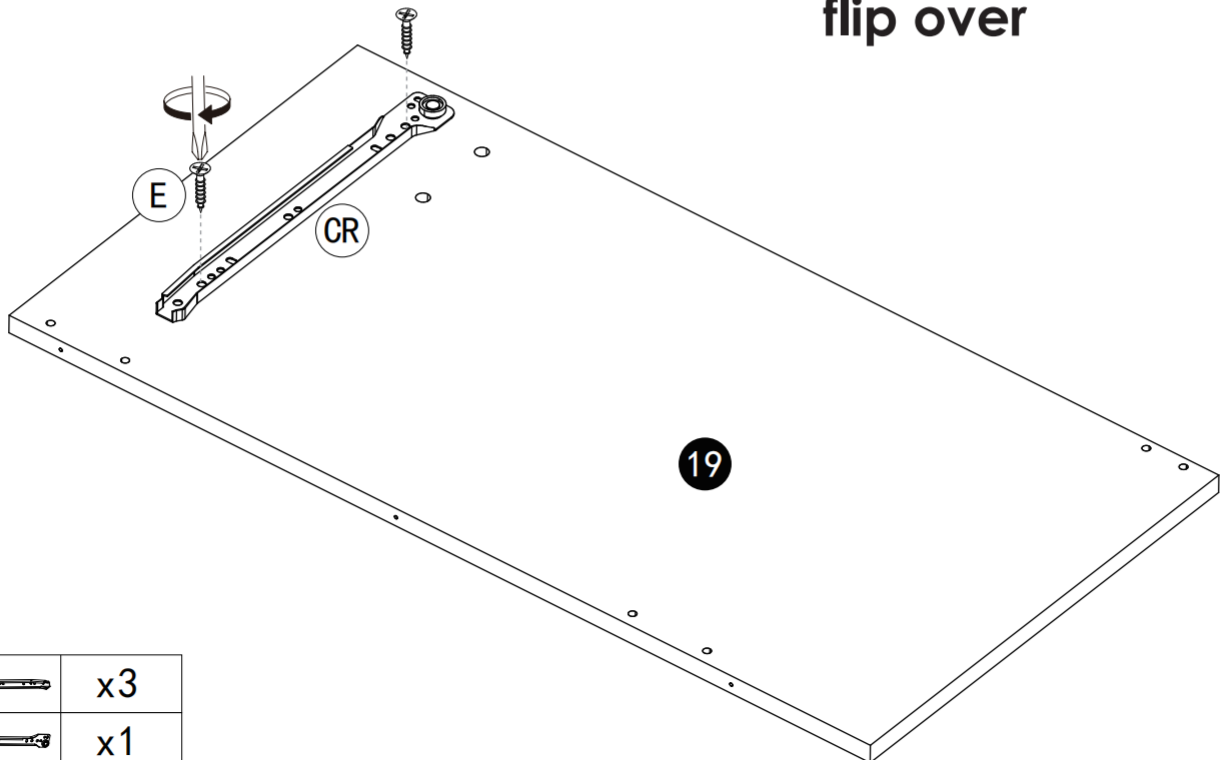
flip over



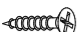


CL		x1
CR		x3
E		x8

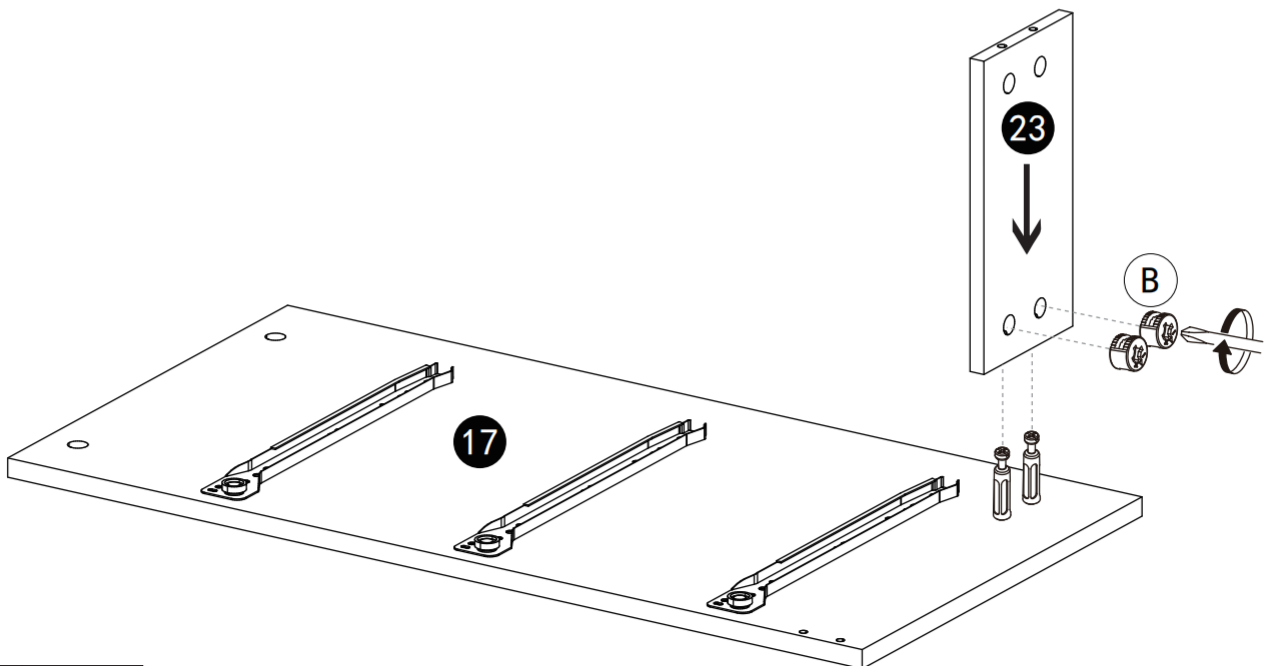
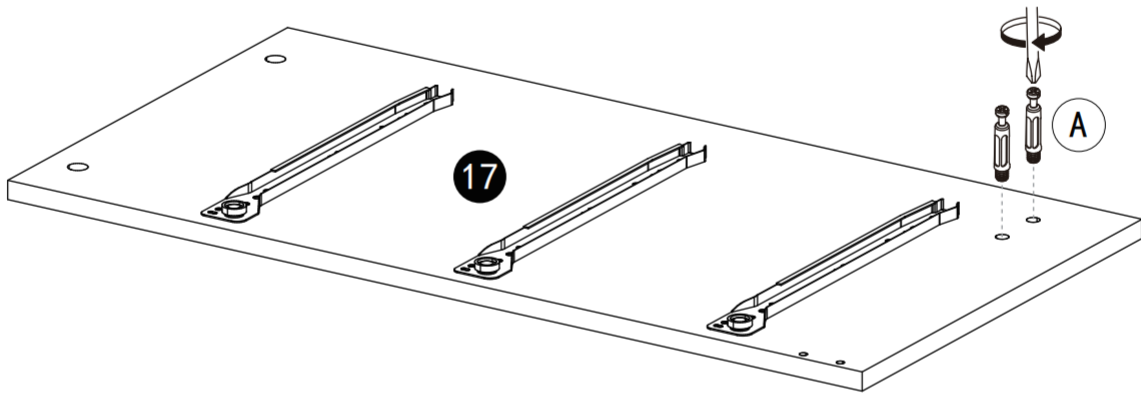
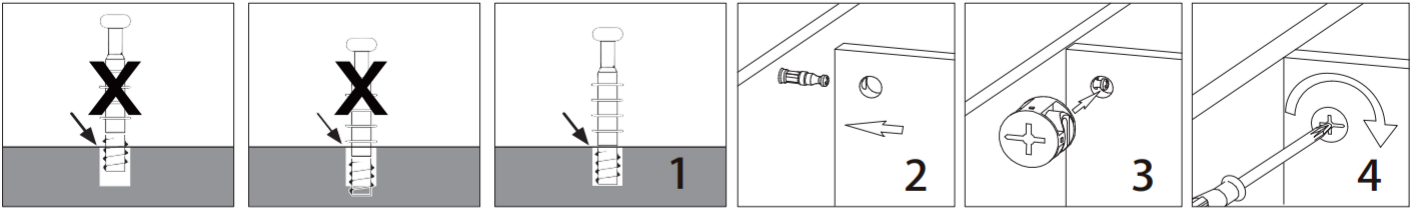
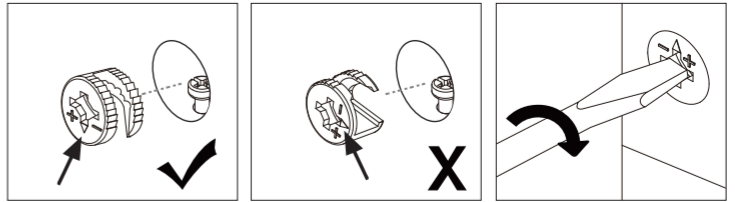




flip over



CL		x3
CR		x1
E		x8

Installation method of three in one rod and buckle



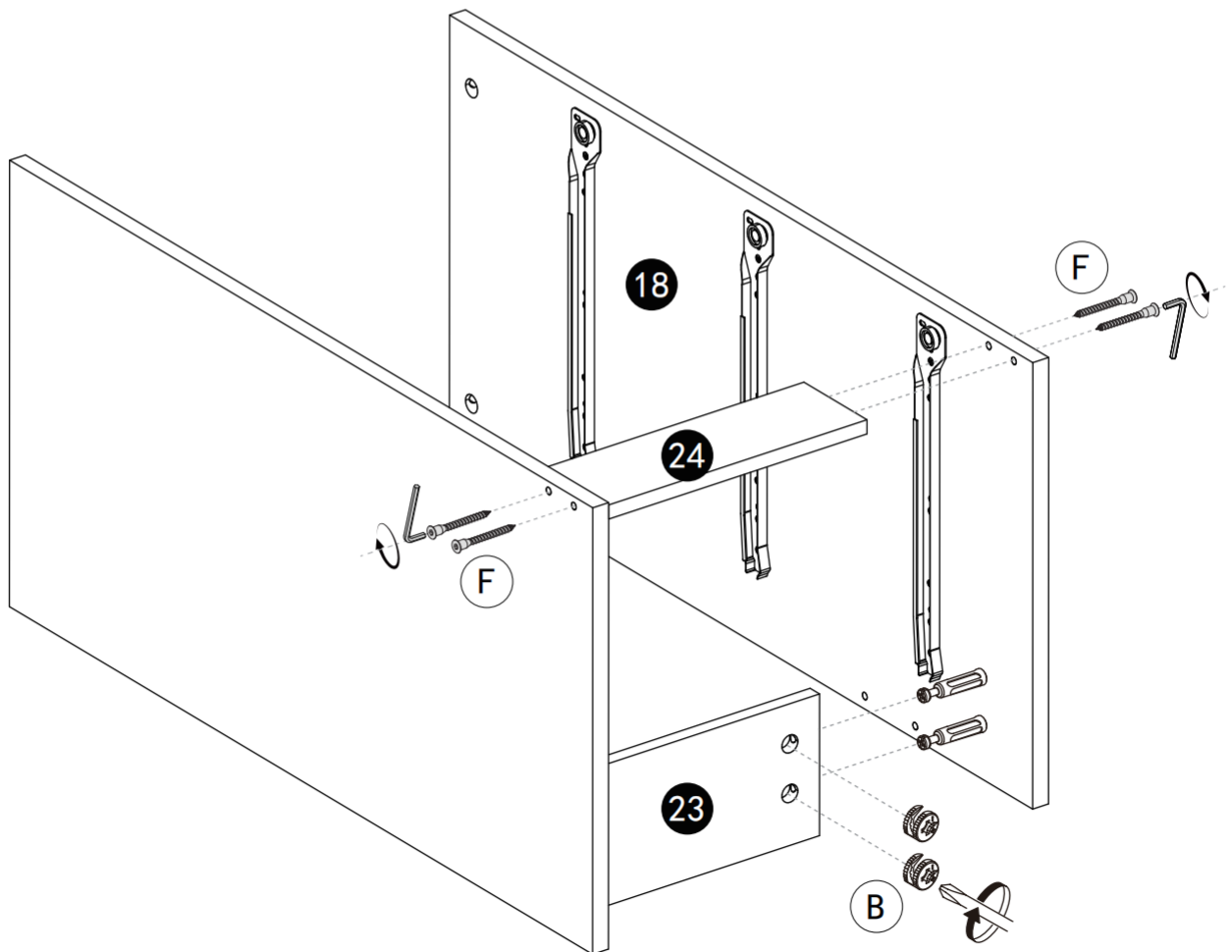
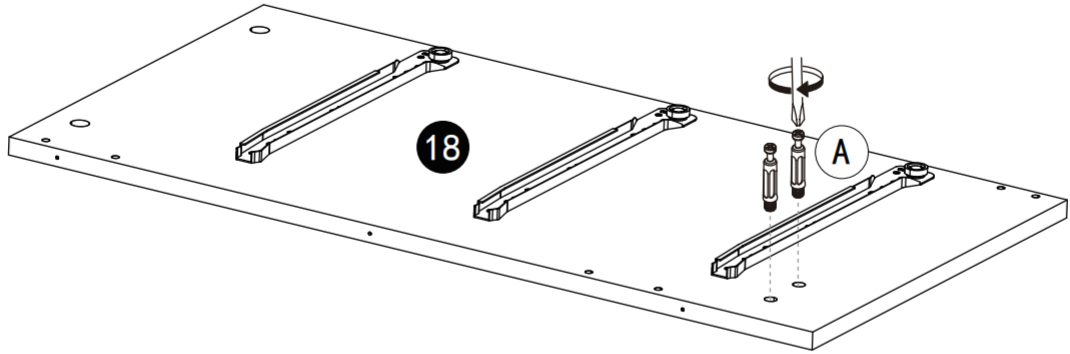
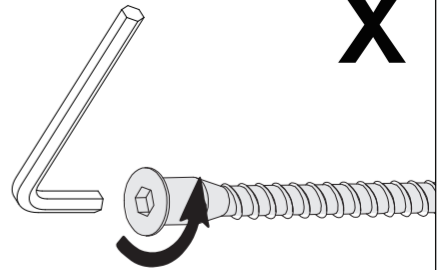
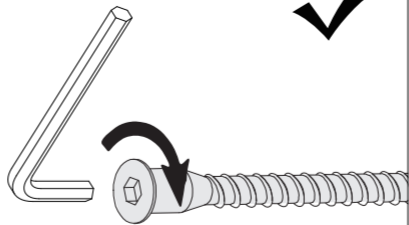
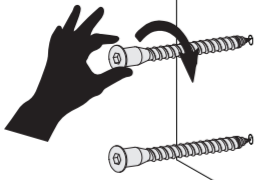
A		x2
B		x2

10

1

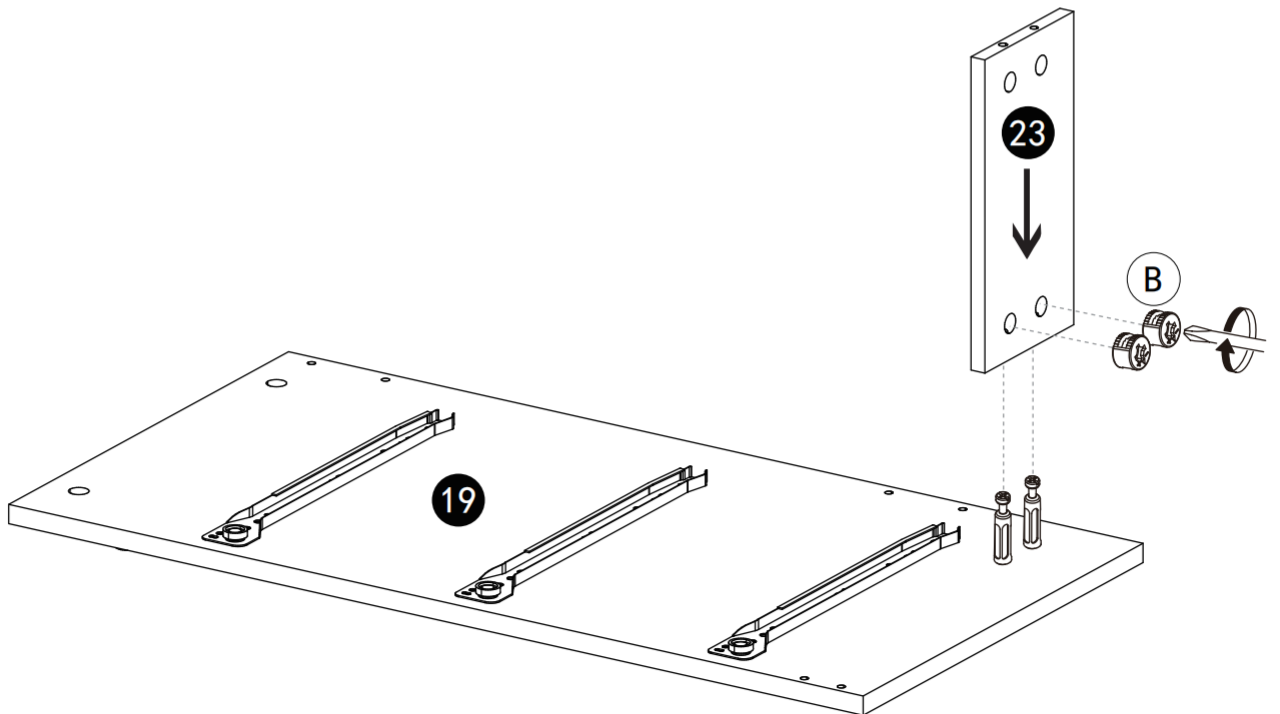
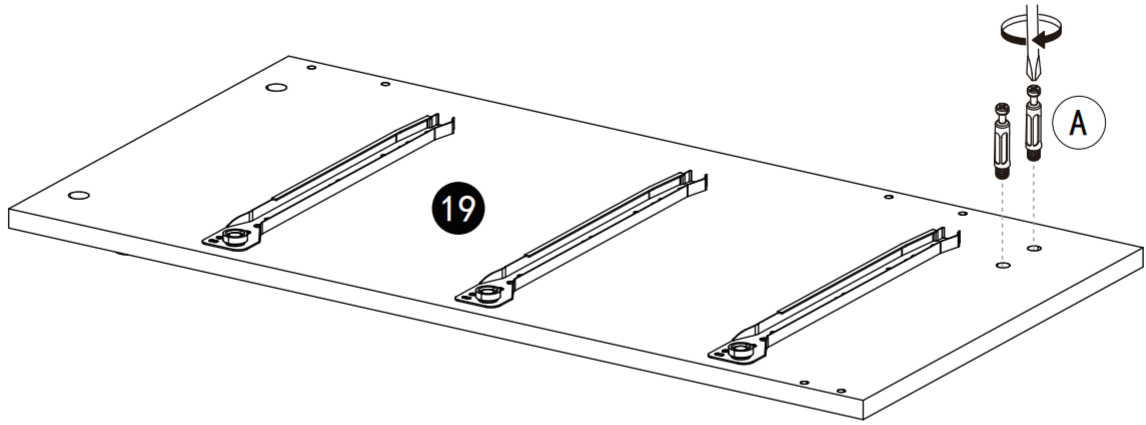
2



X

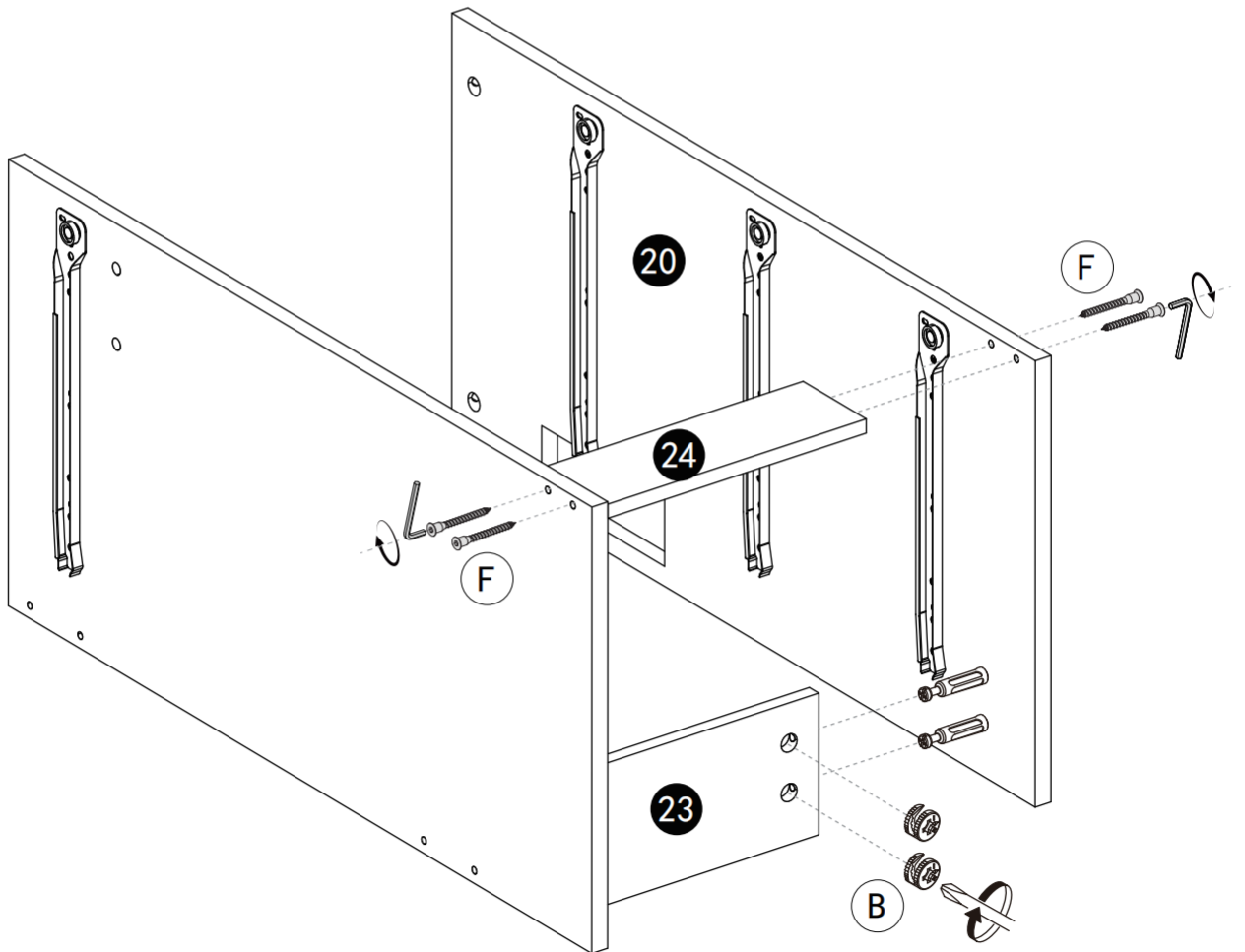
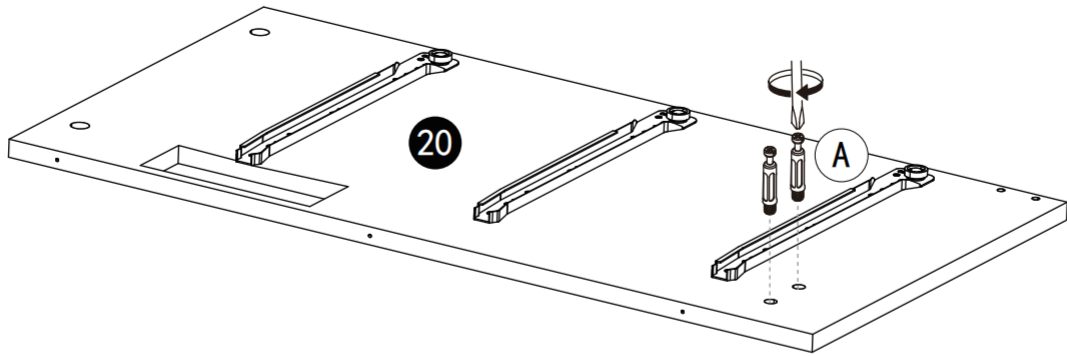





A		x2
B		x2

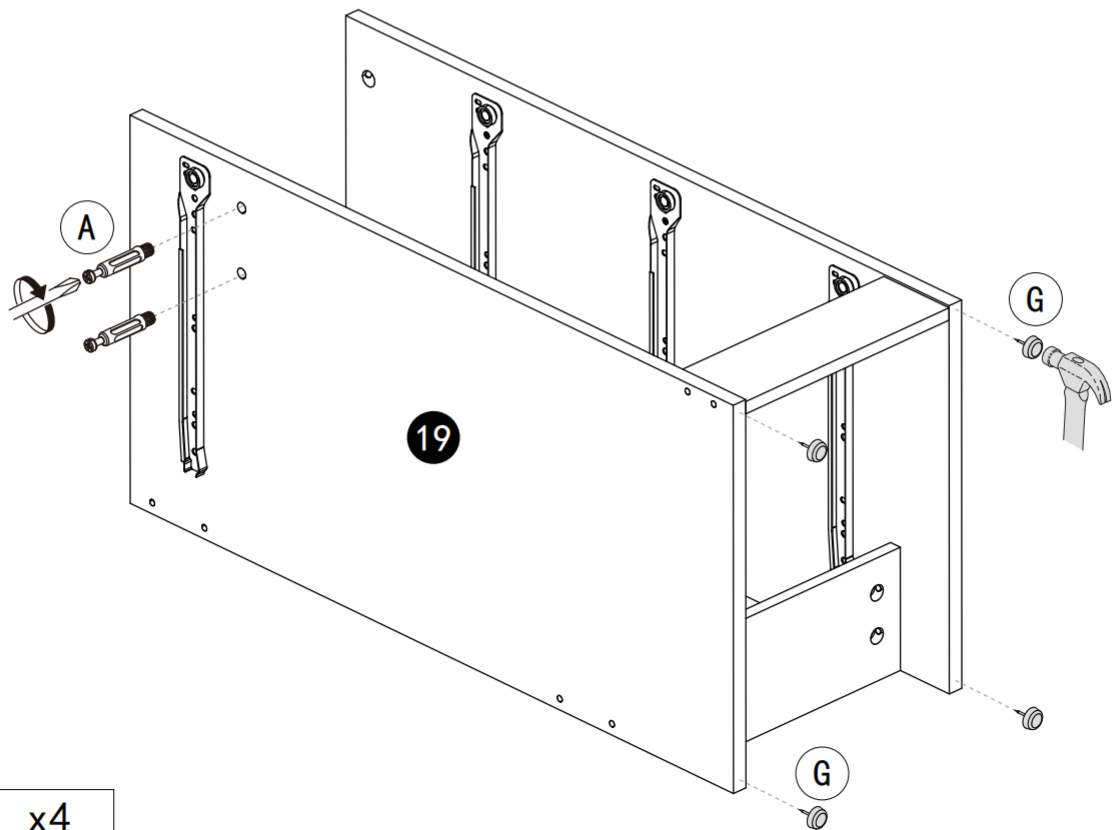
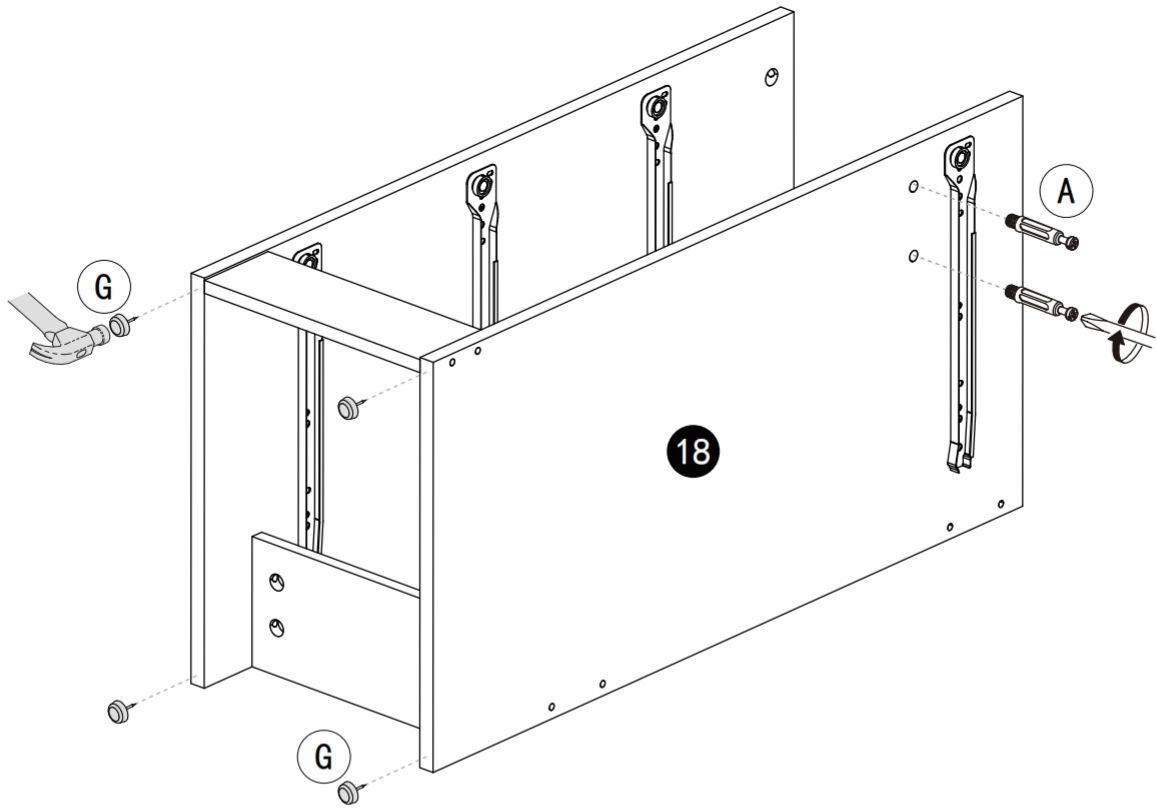
F		x4
---	--	----


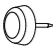


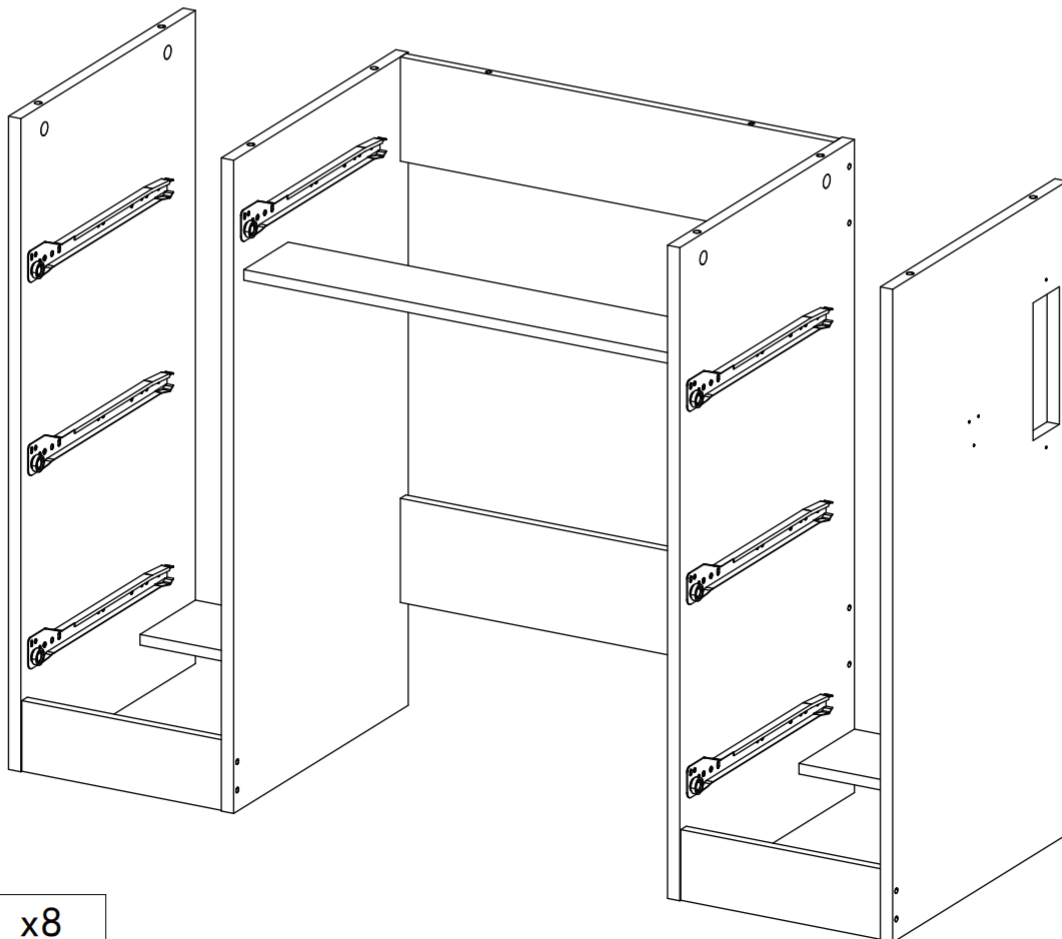
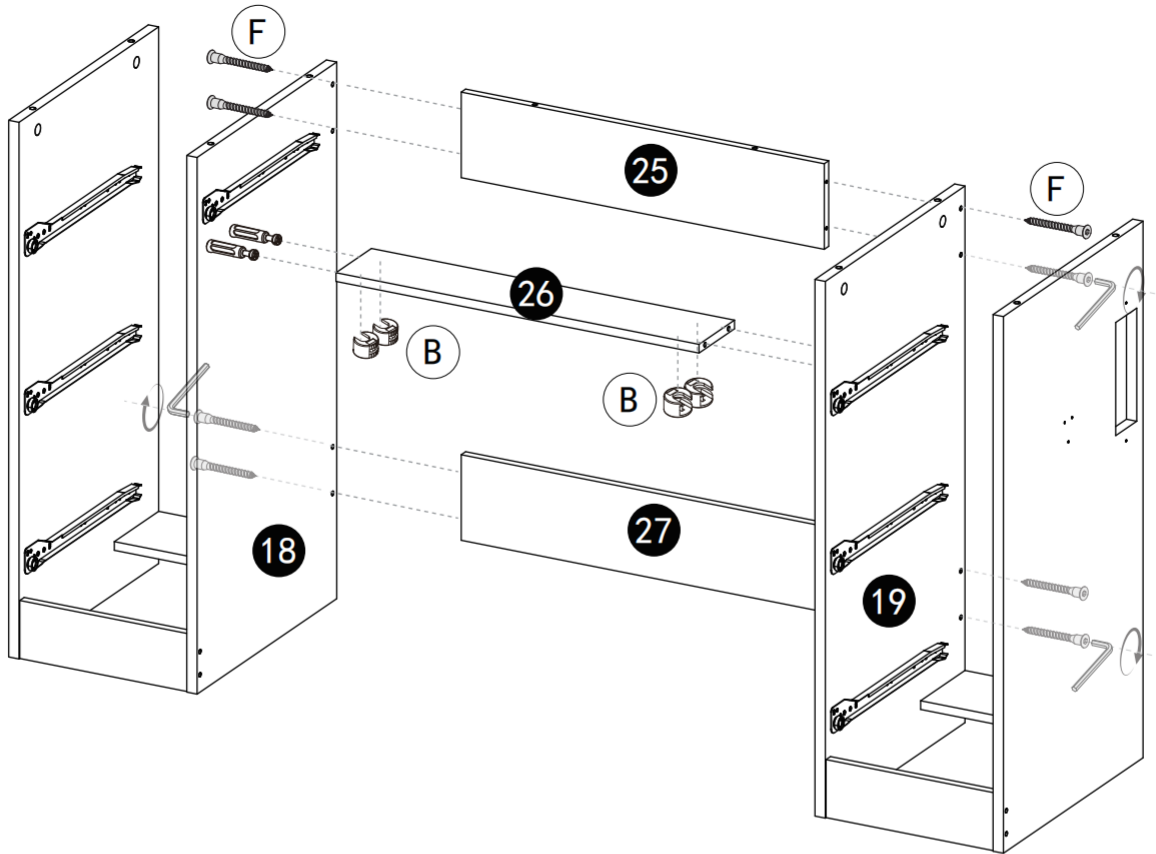
A		x2
B		x2





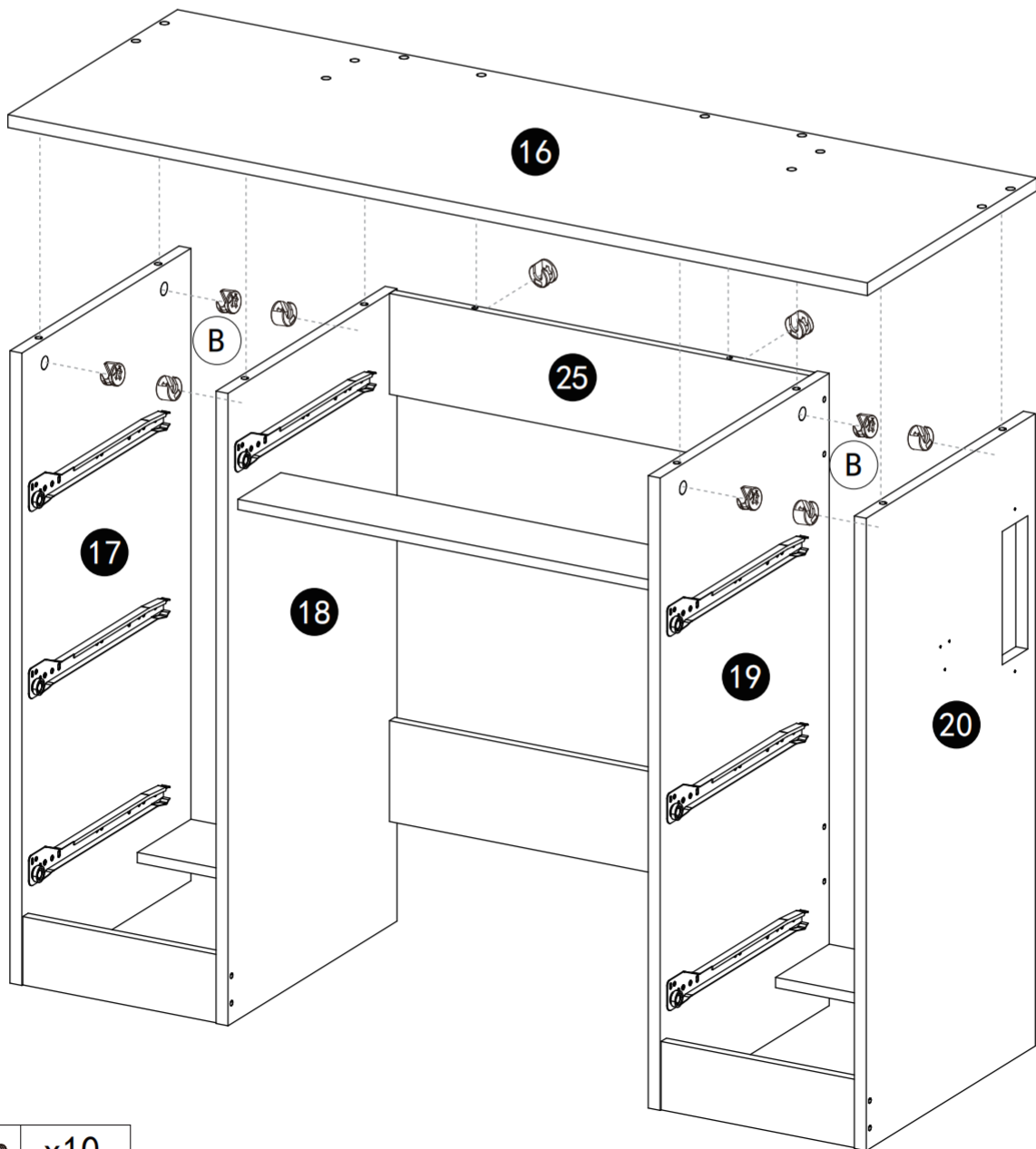
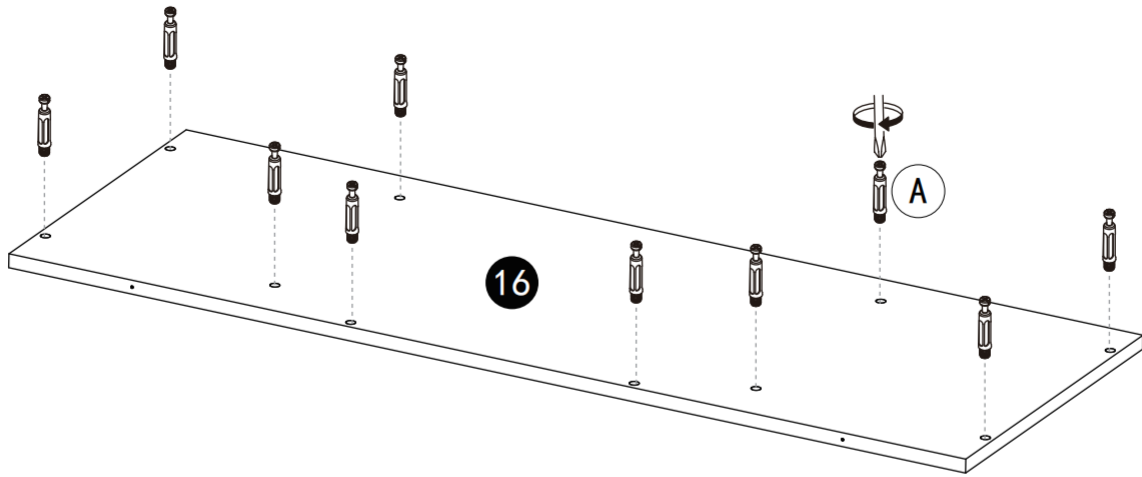
A		x2			
B		x2	F		x4





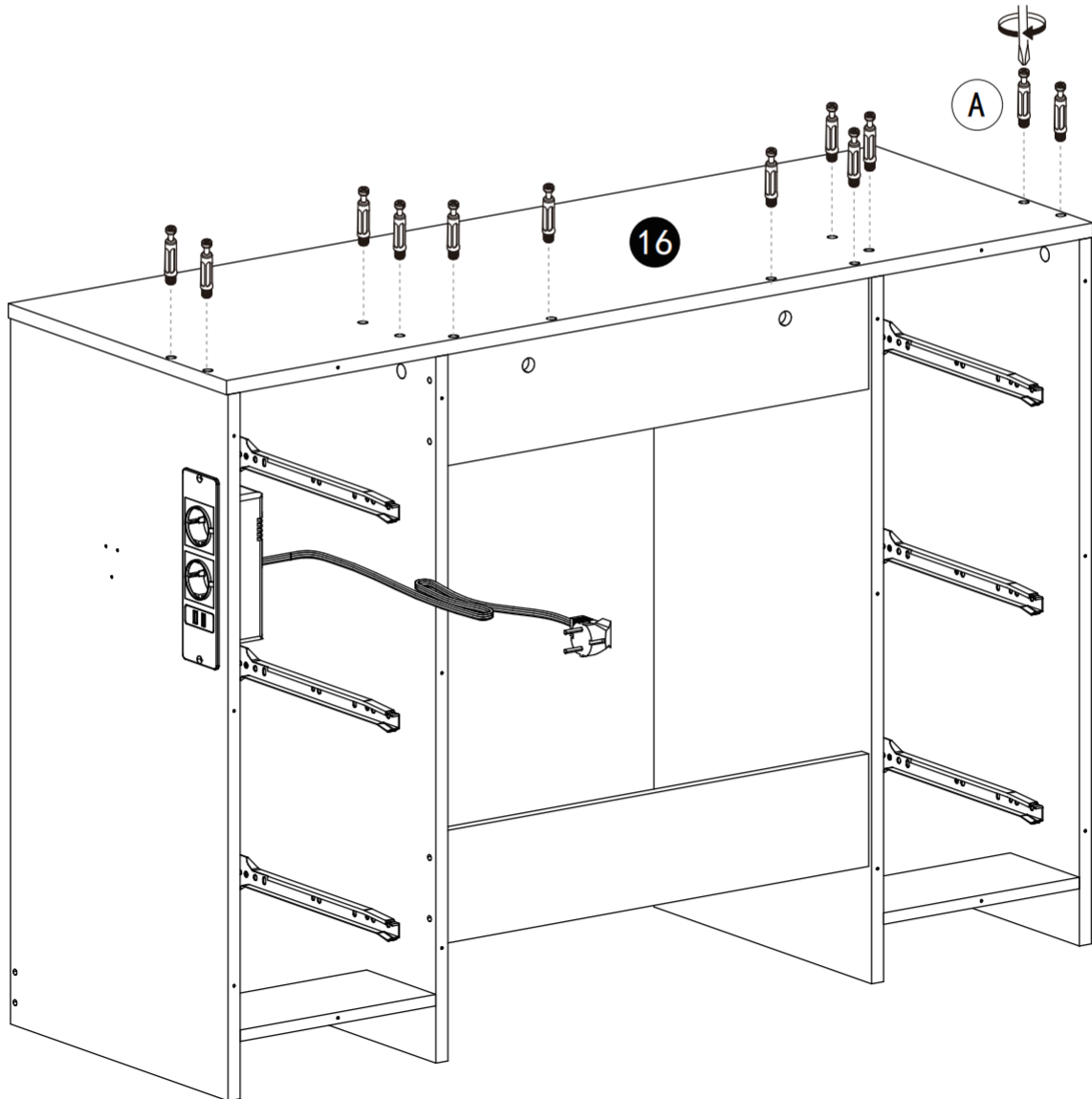
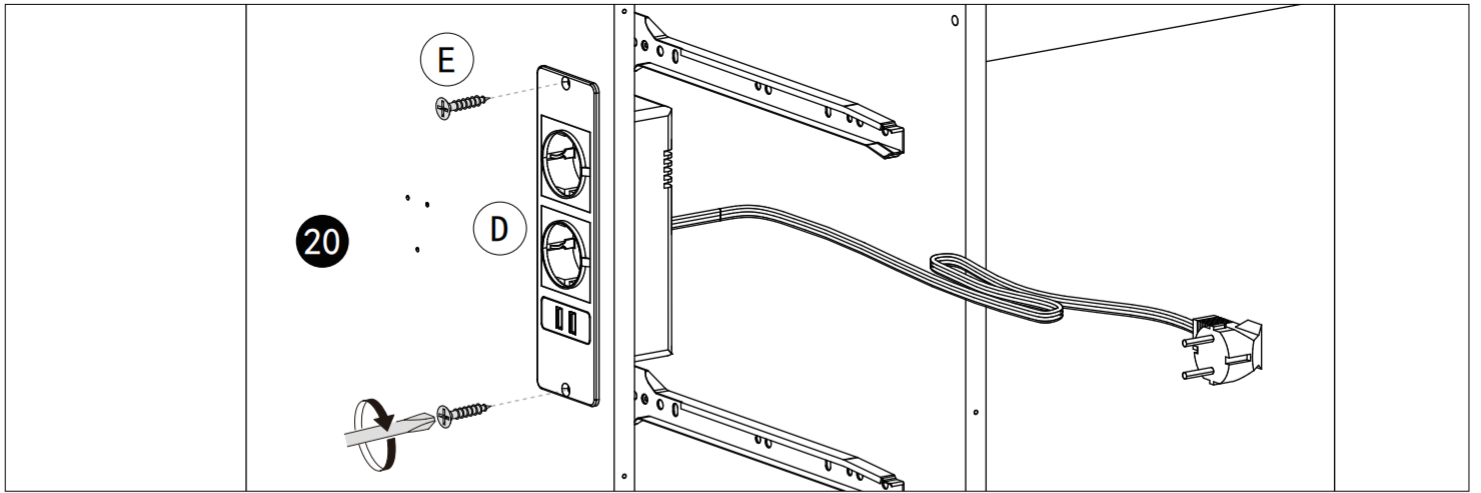
A		x4
G		x8






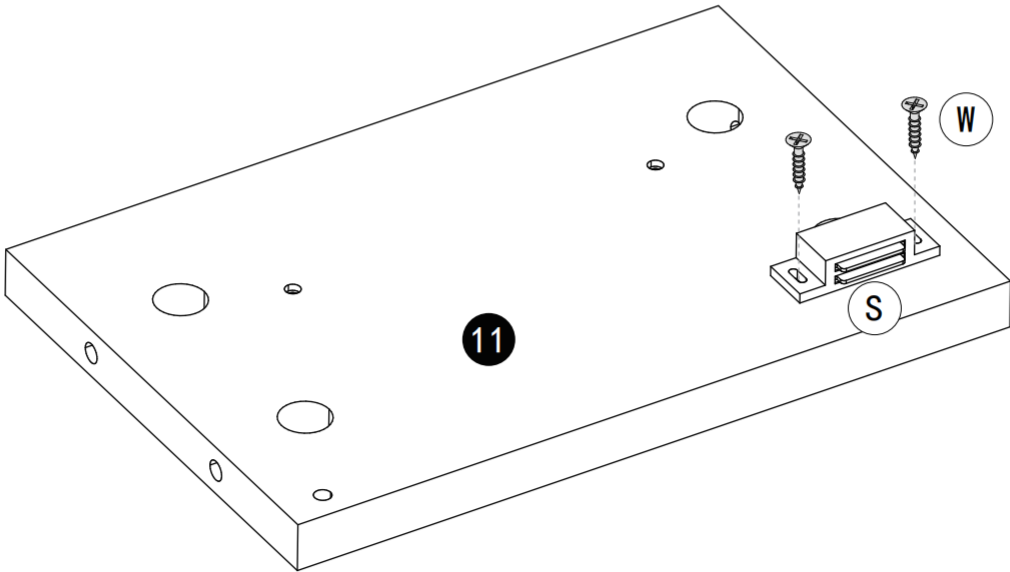
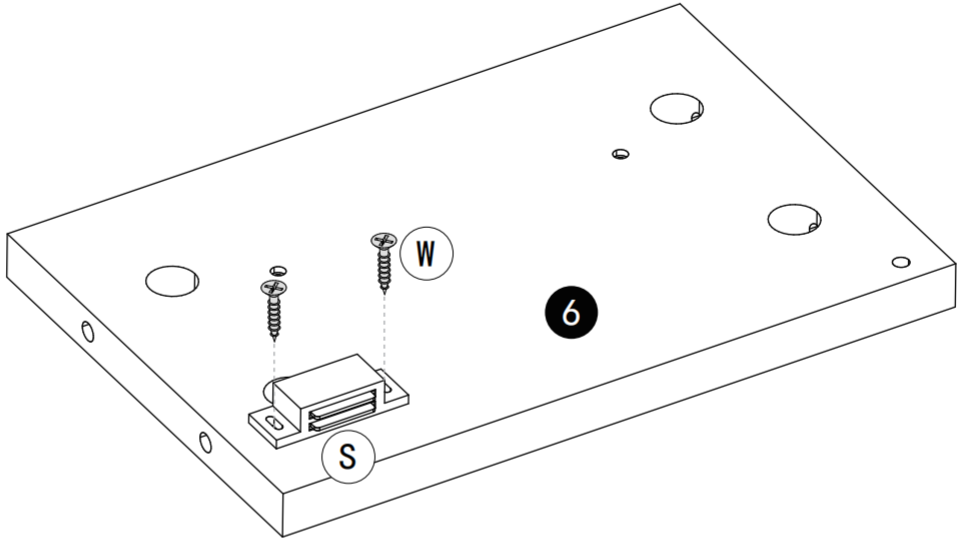
F		x8
B		x4





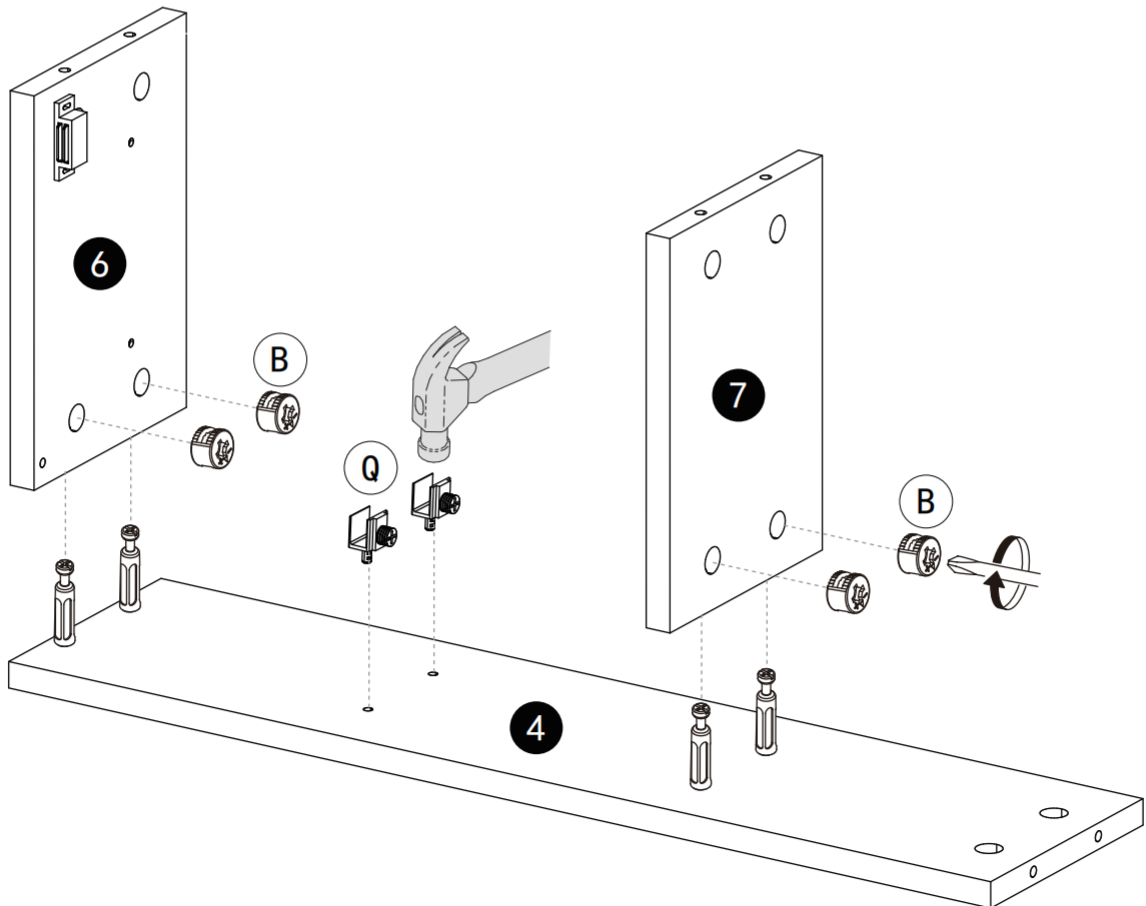
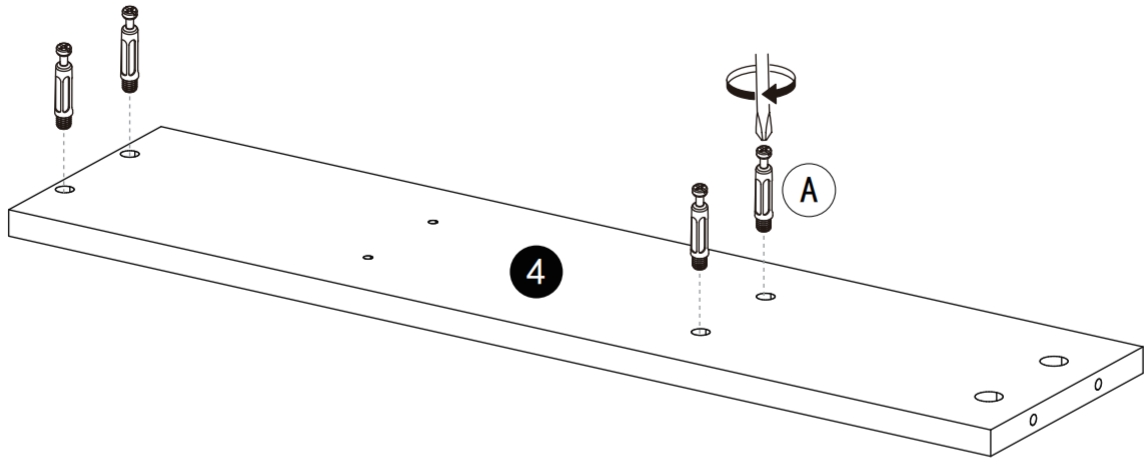
A		x10
B		x10






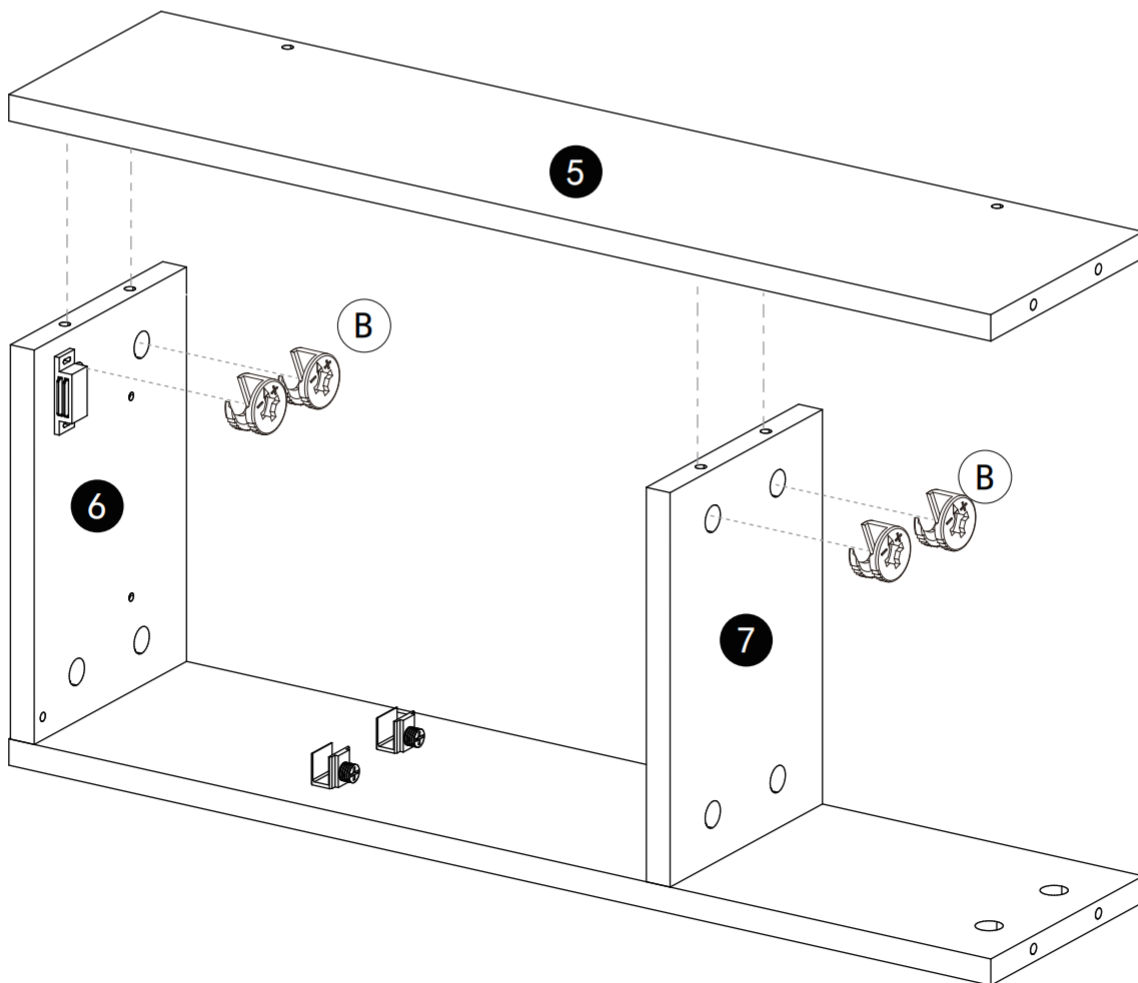
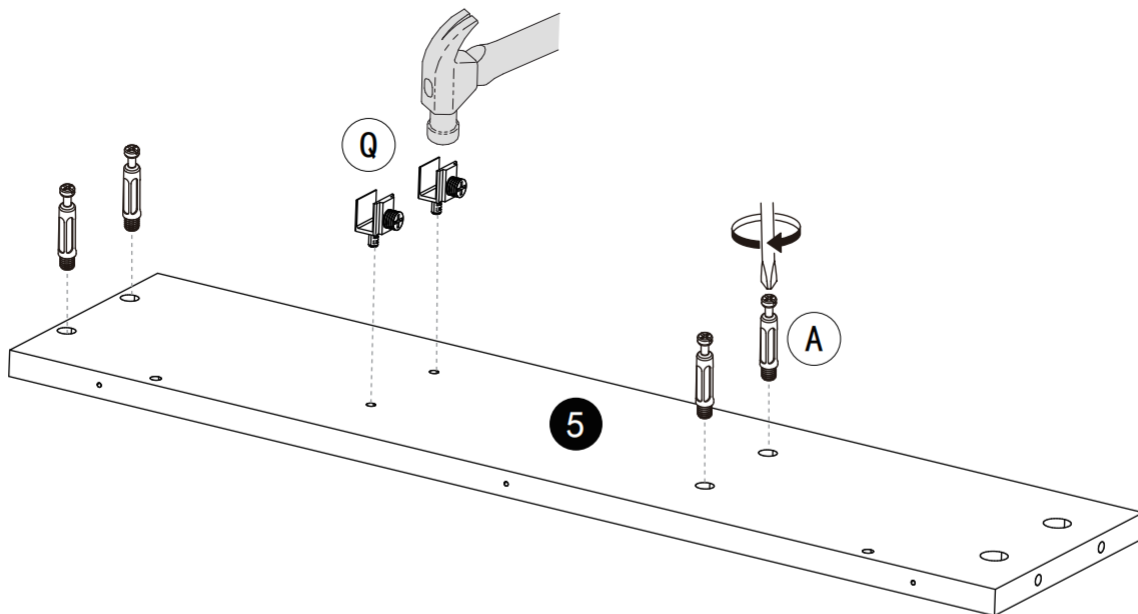
A		x12
E		x2
D		x1






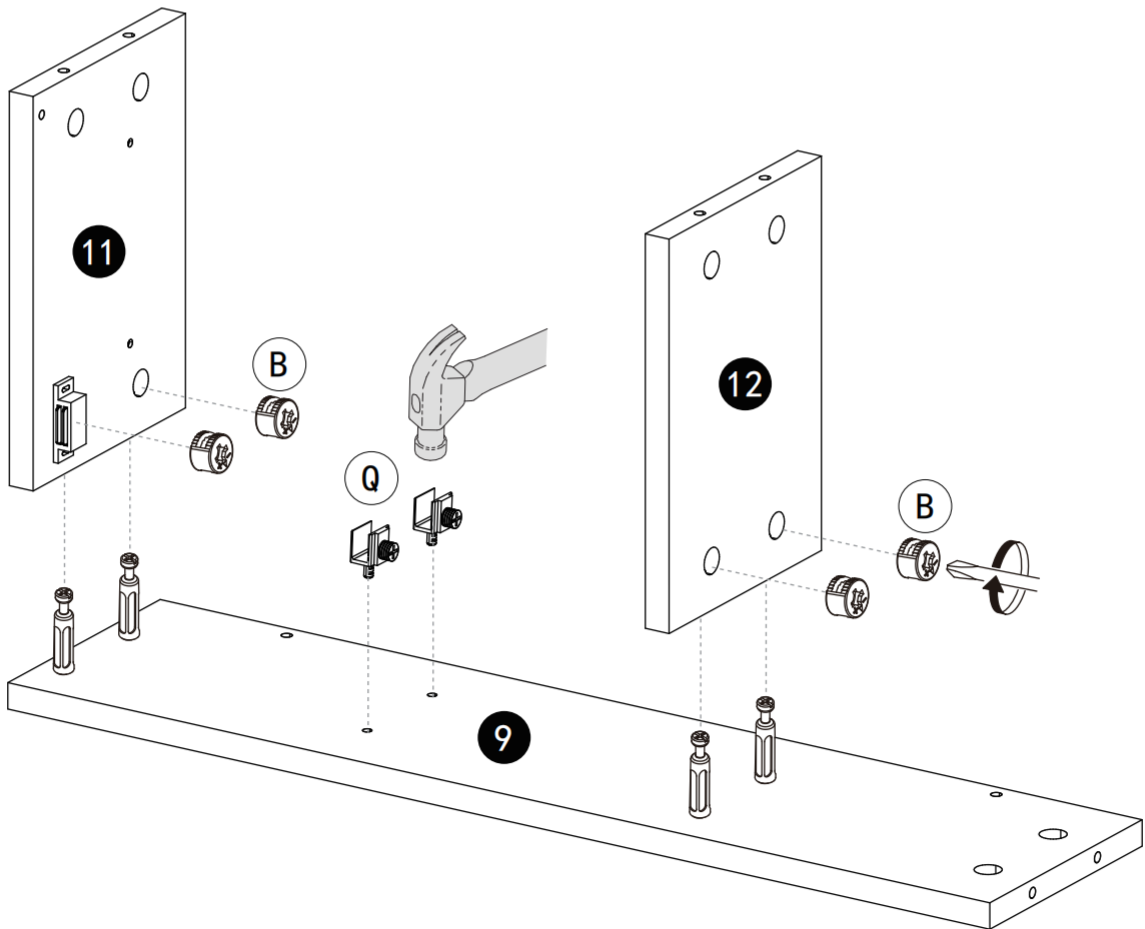
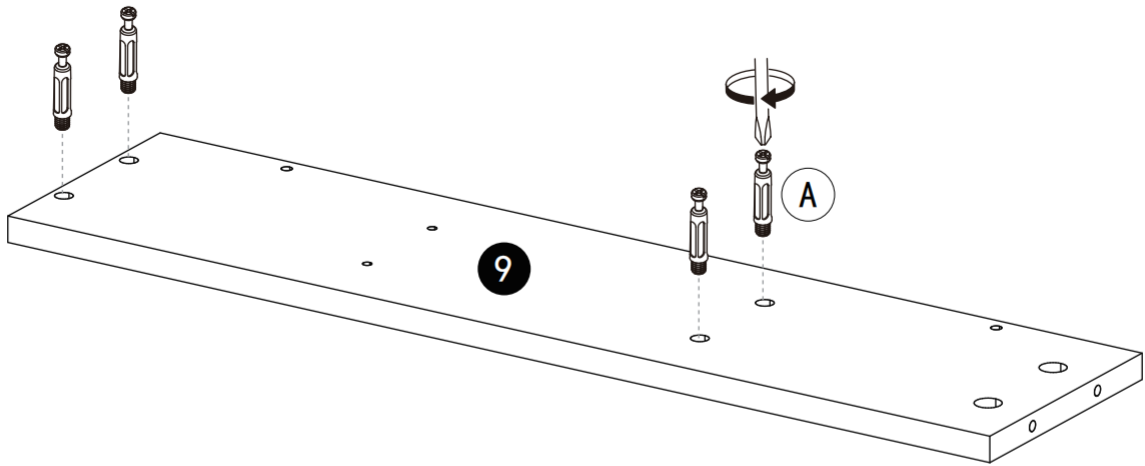
S		x2
W		x4






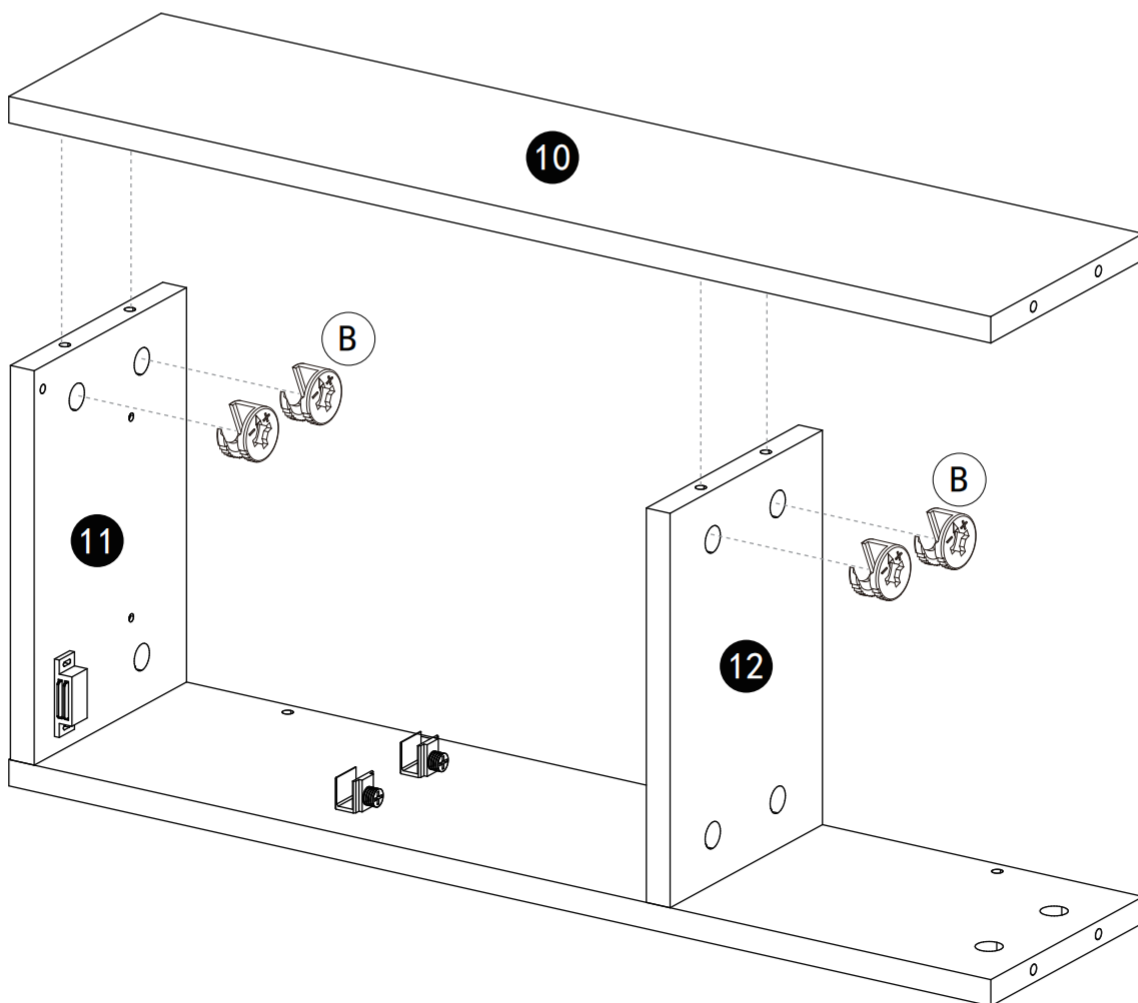
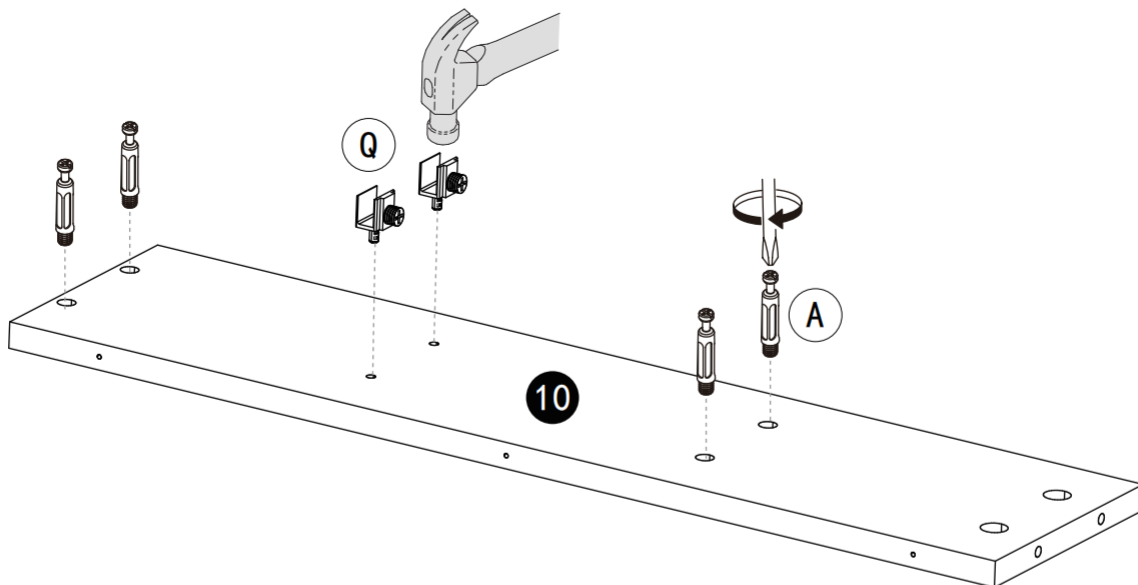
A		x4			
B		x4	Q		x2



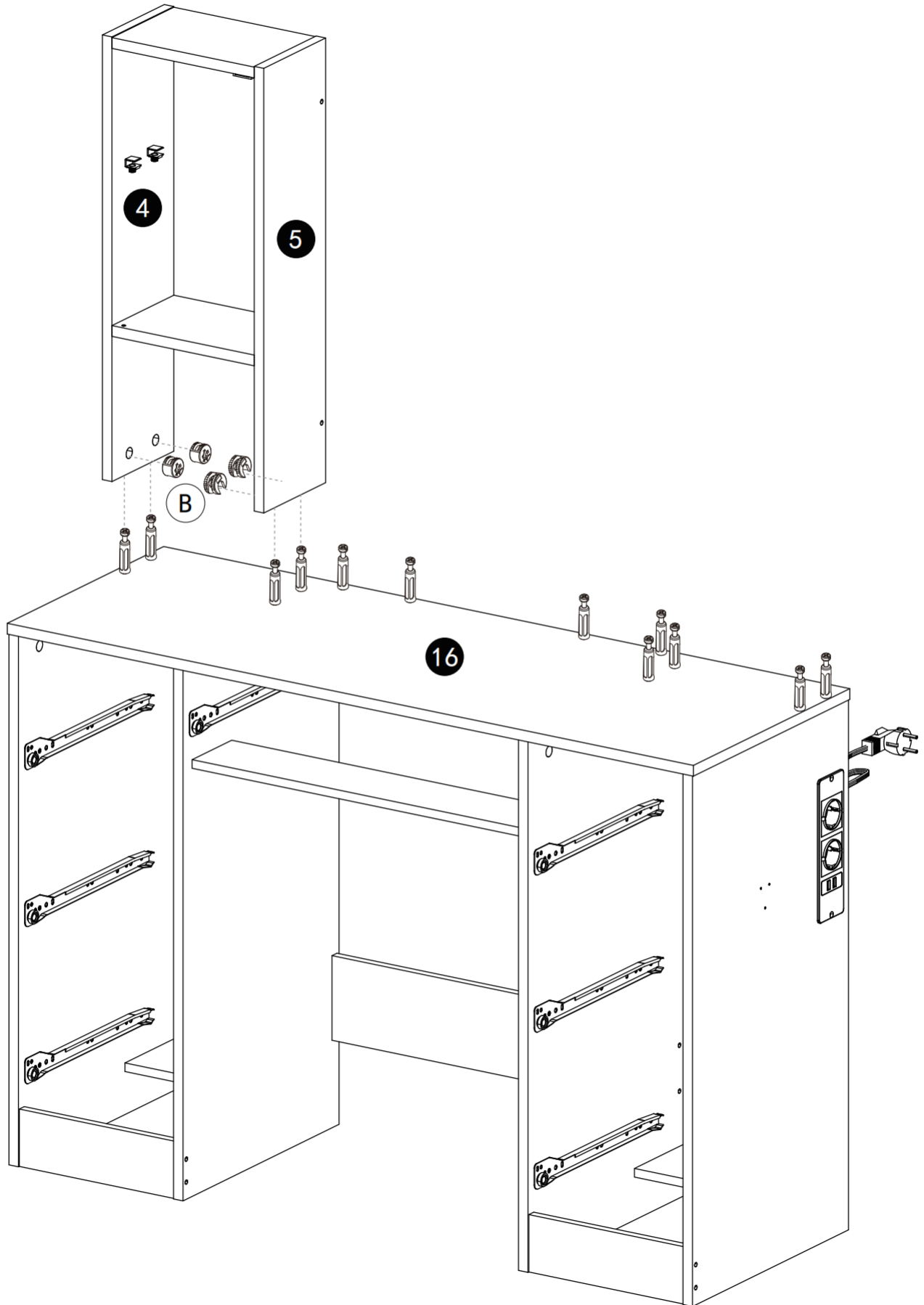
A		x4			
B		x4	Q		x2



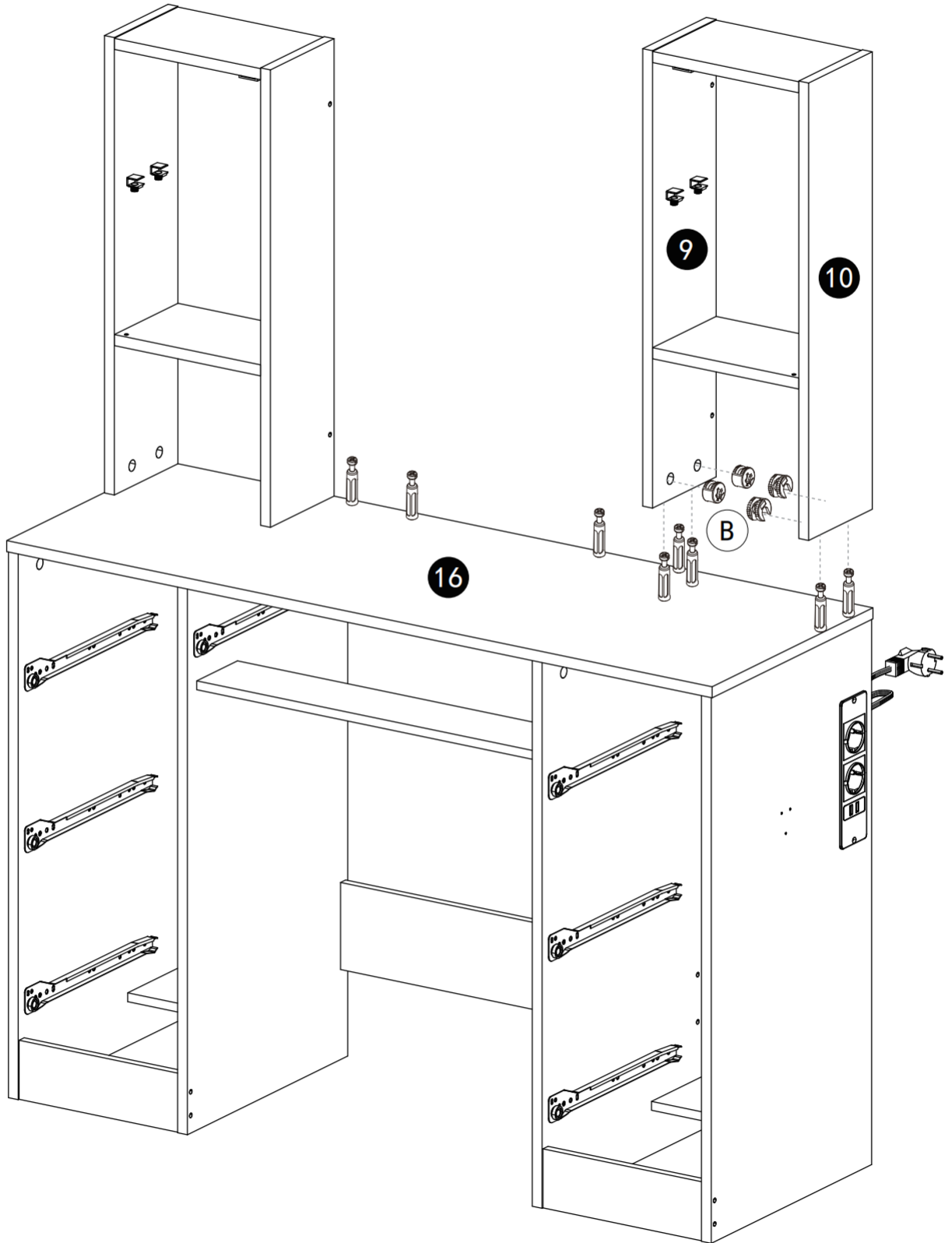
A		x4			
B		x4	Q		x2



A		x4			
B		x4	Q		x2



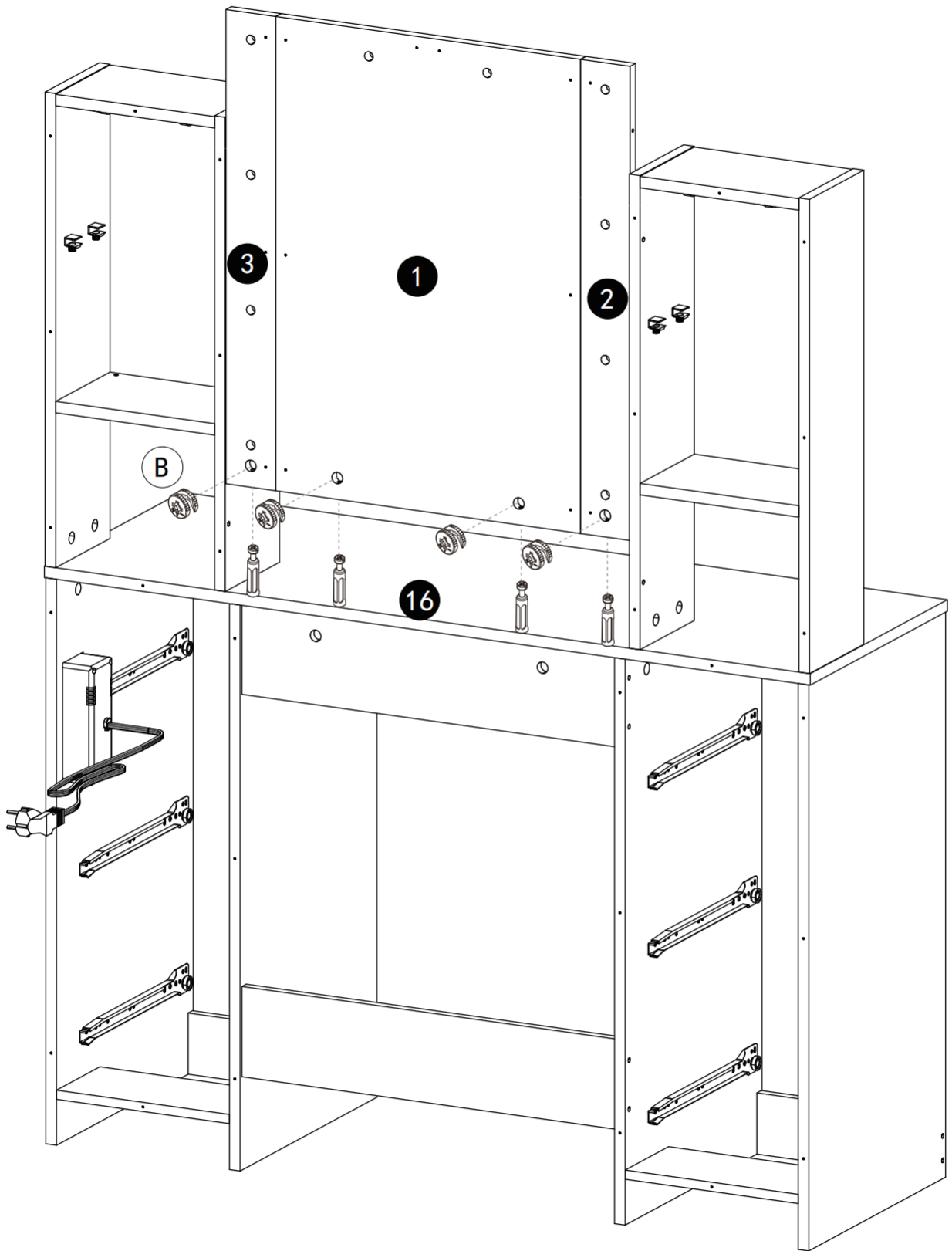
B  x4



B



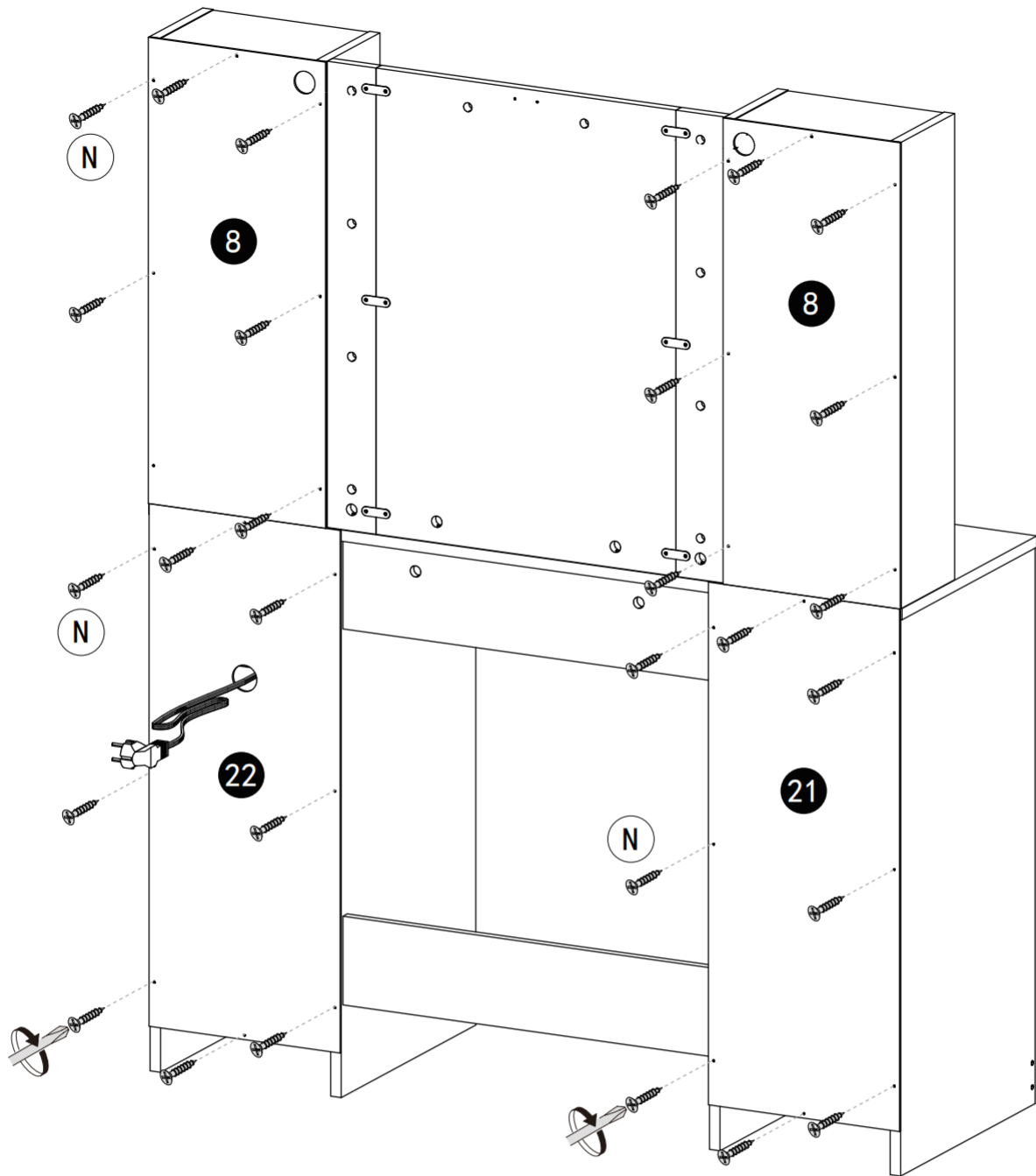
x4




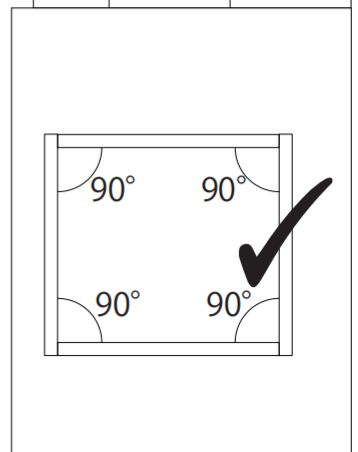
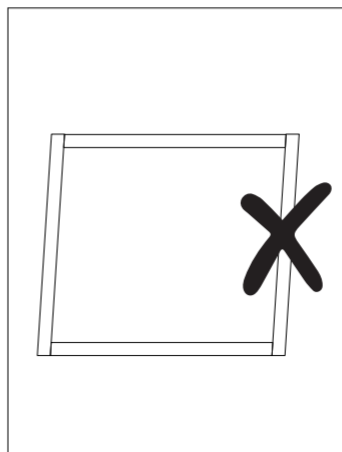
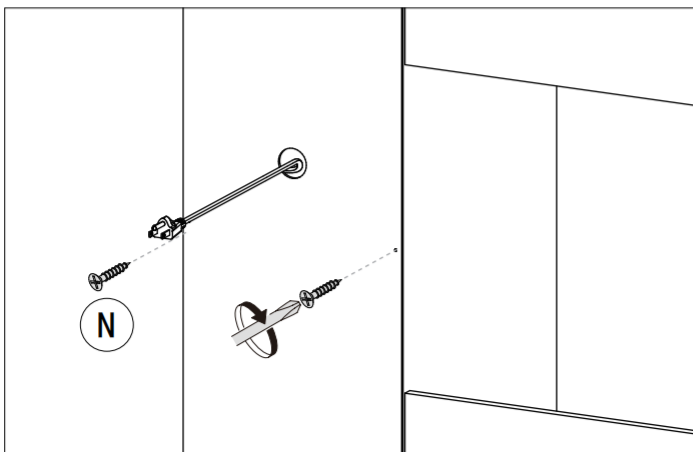
B

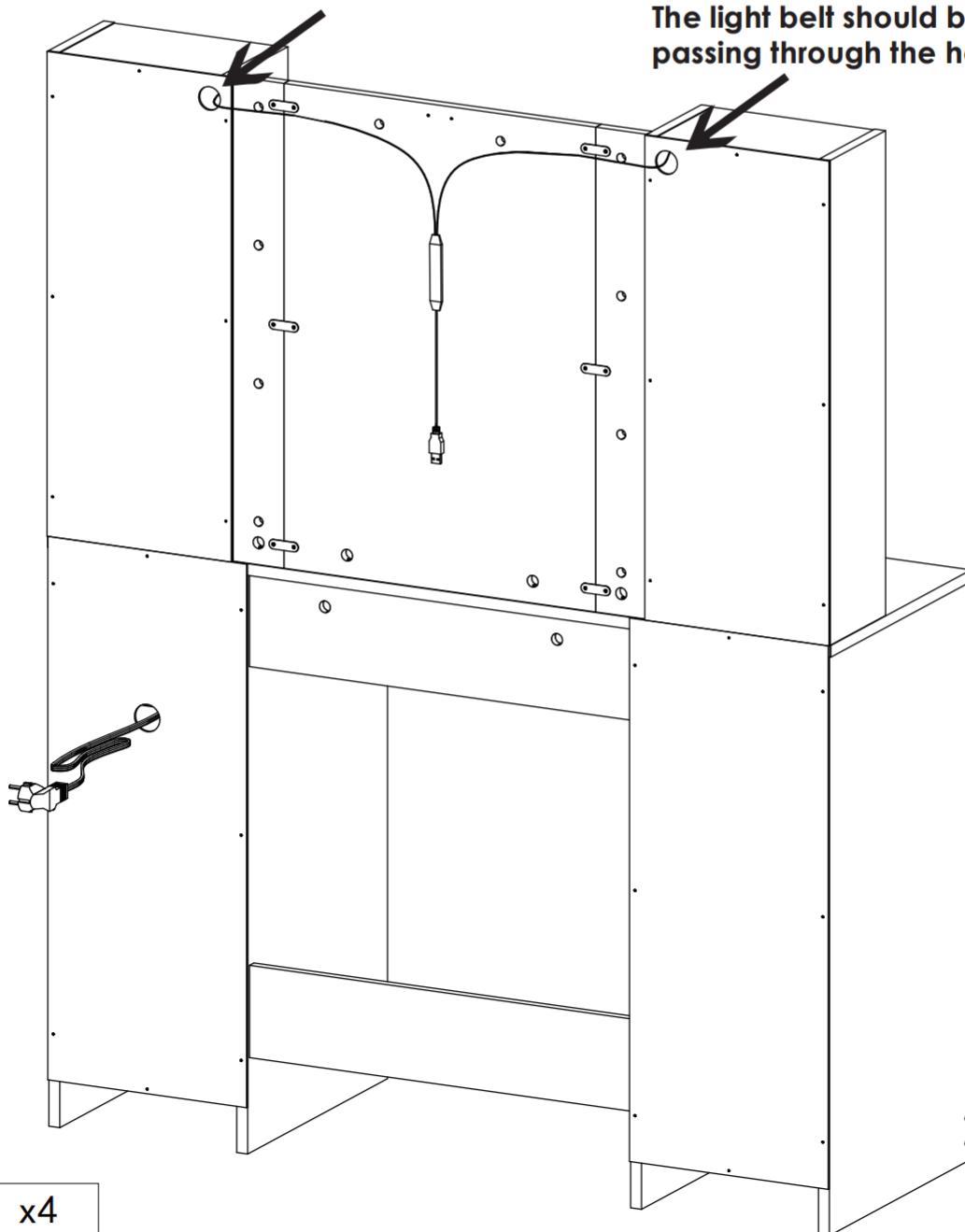
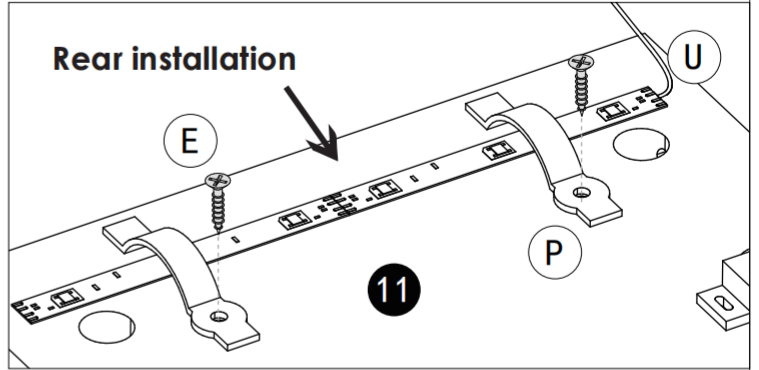
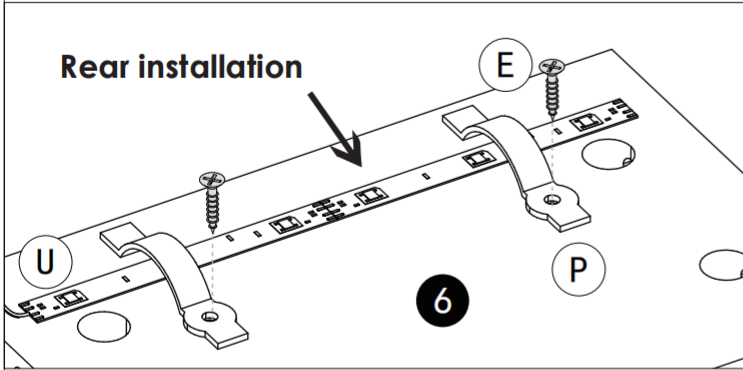
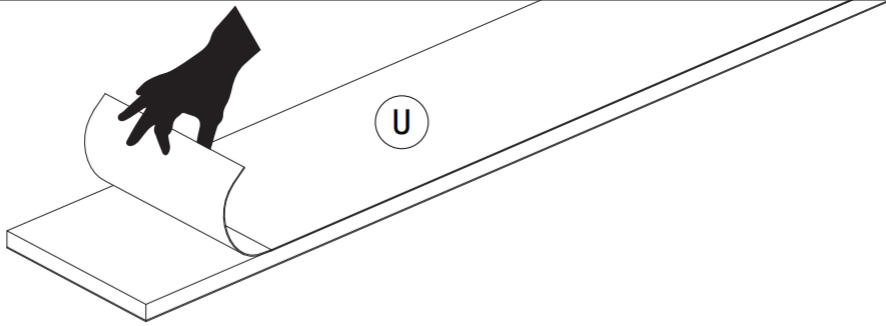




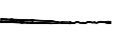
x4



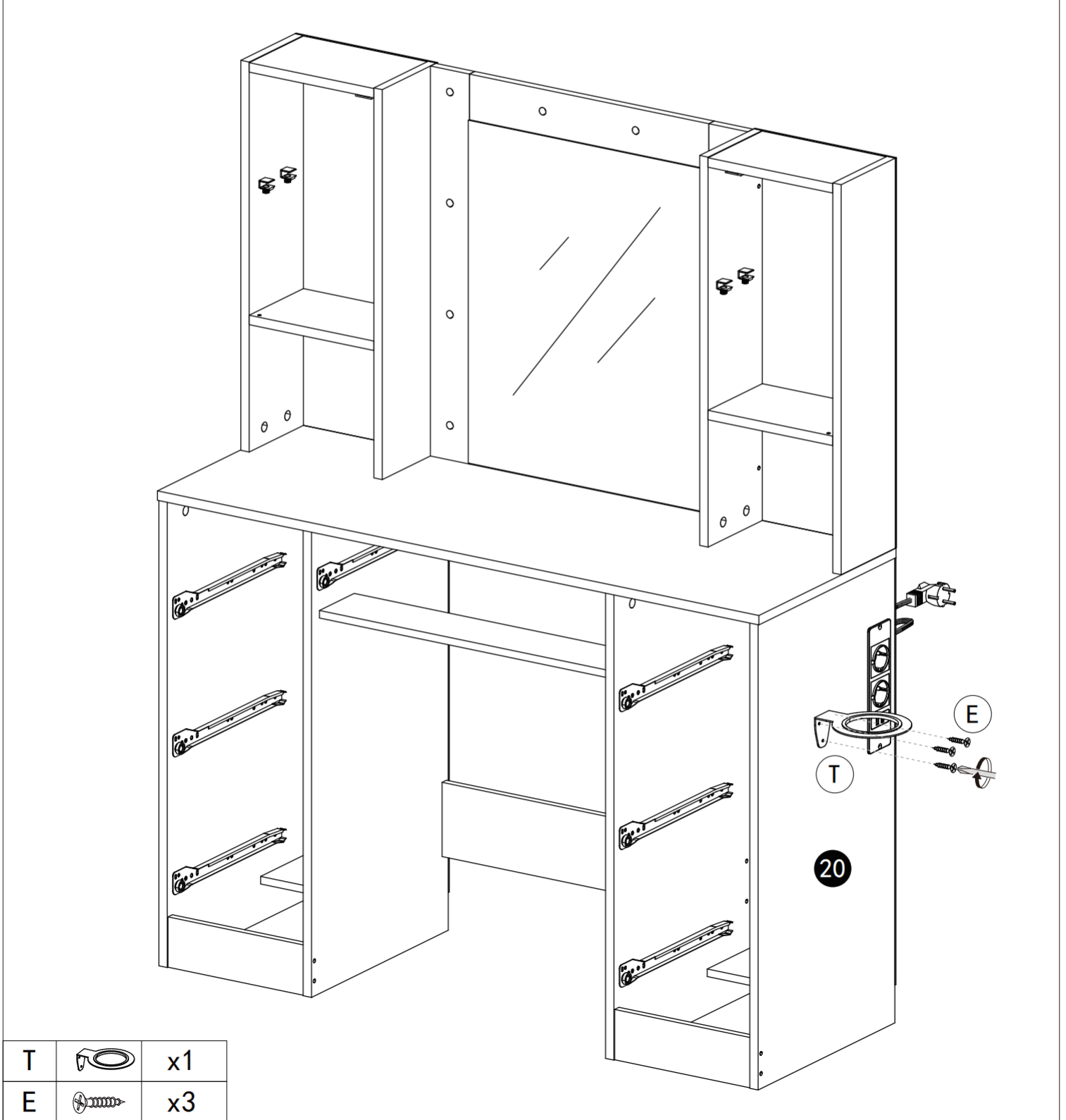
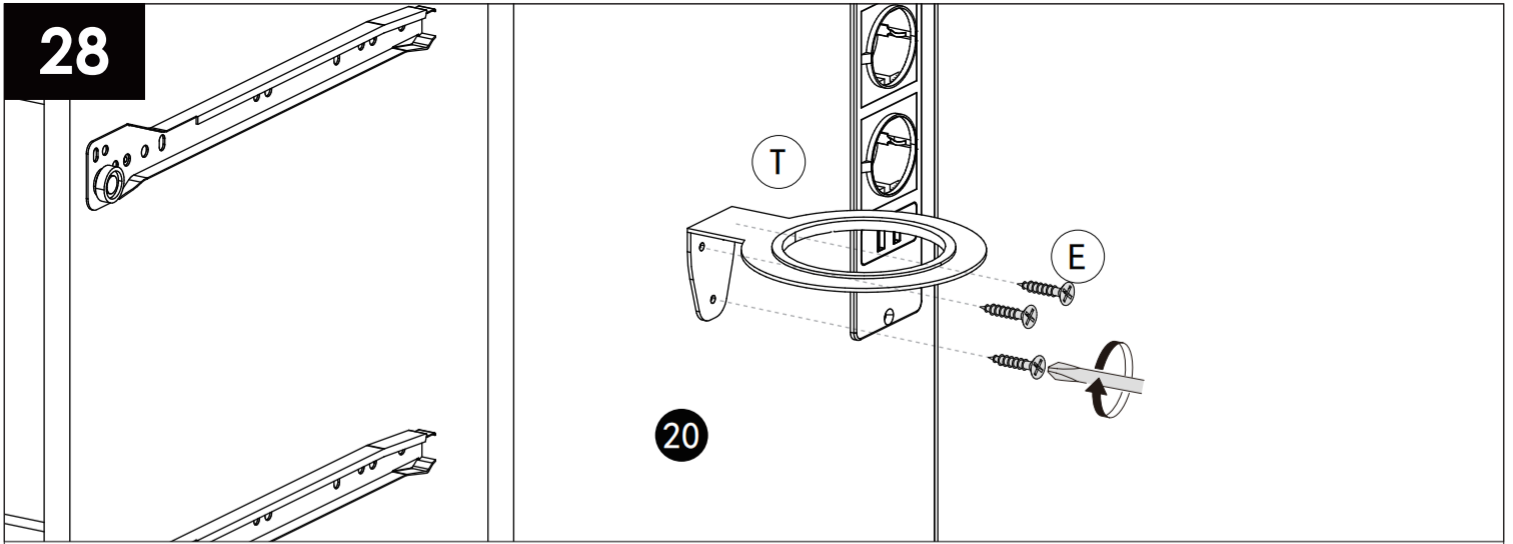
N		x29
---	---	-----





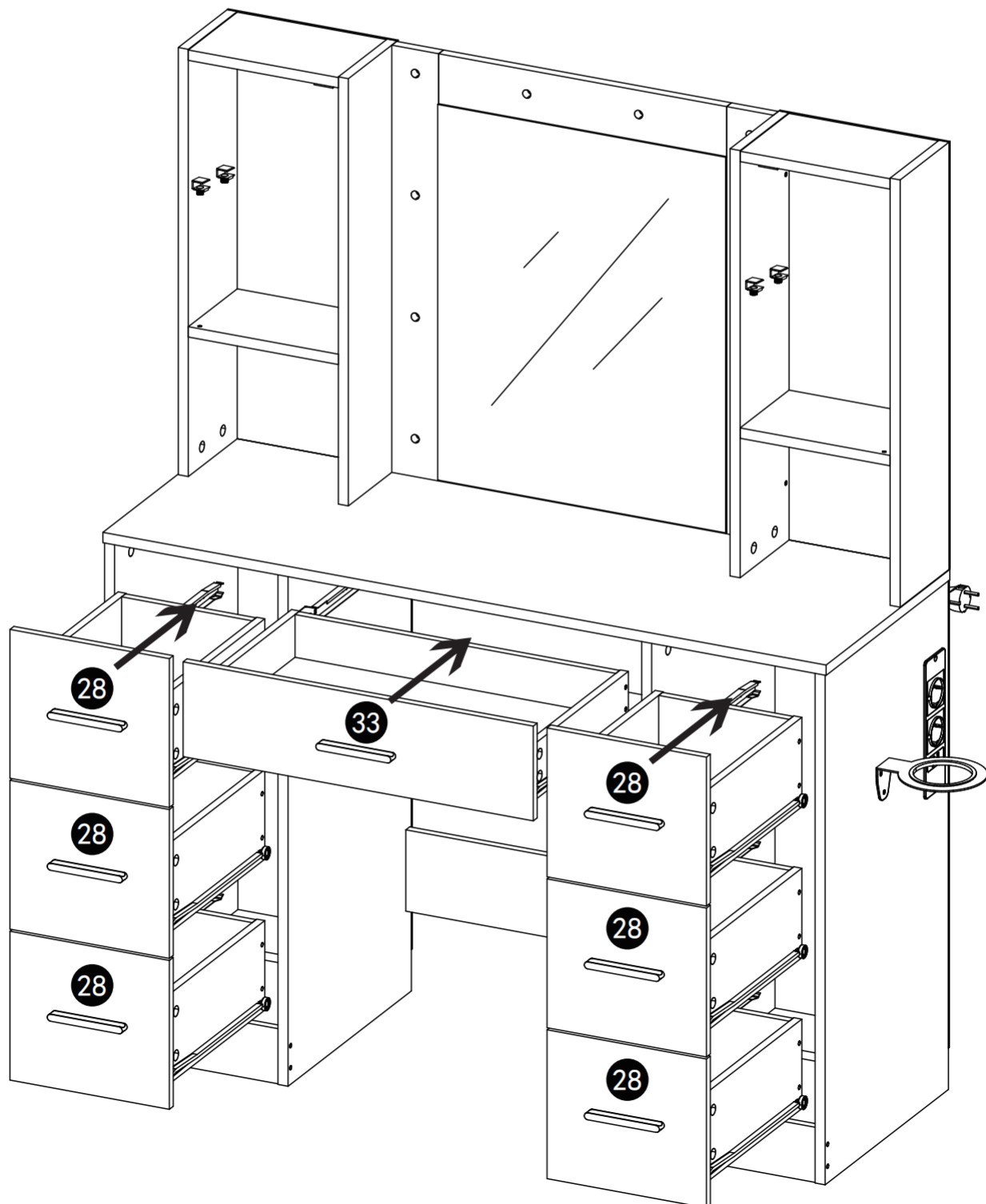
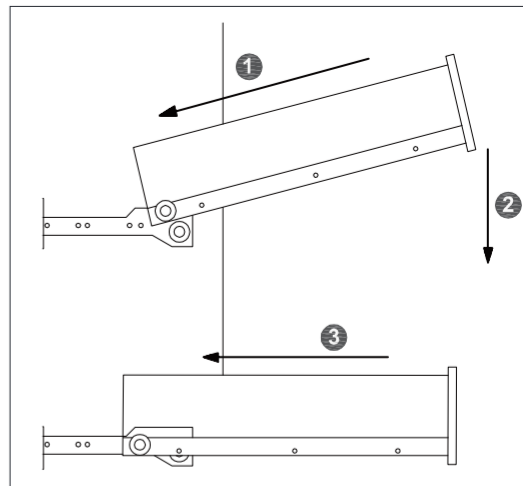
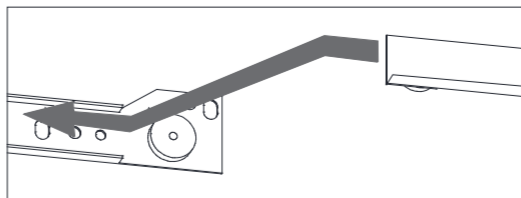


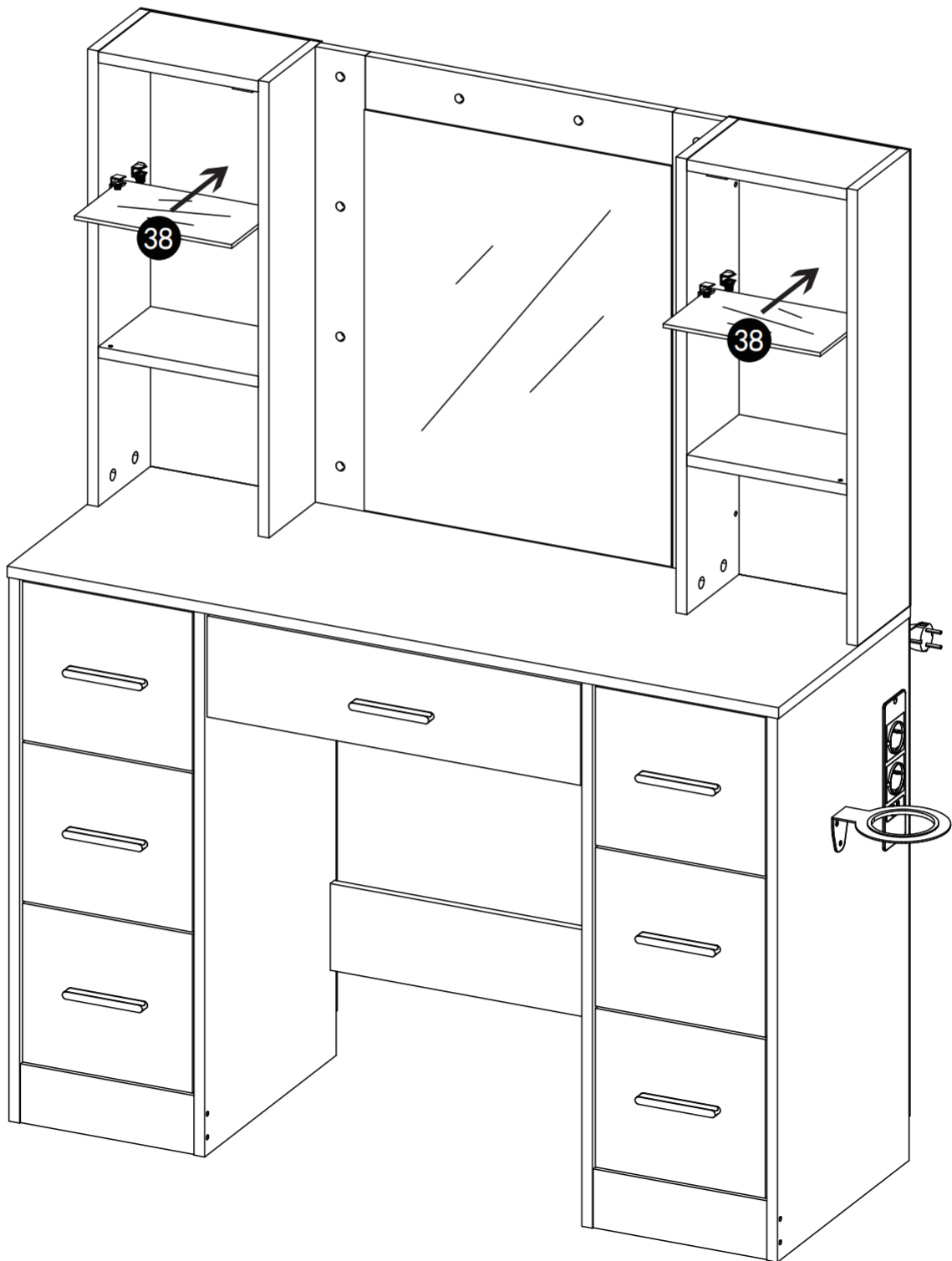
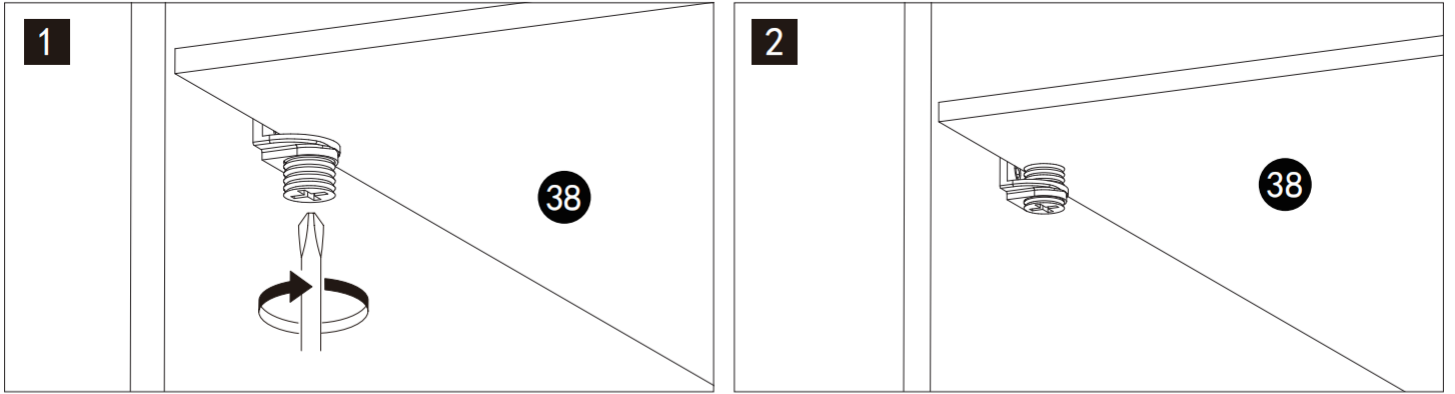
P		x4		
E		x4	U	 x1

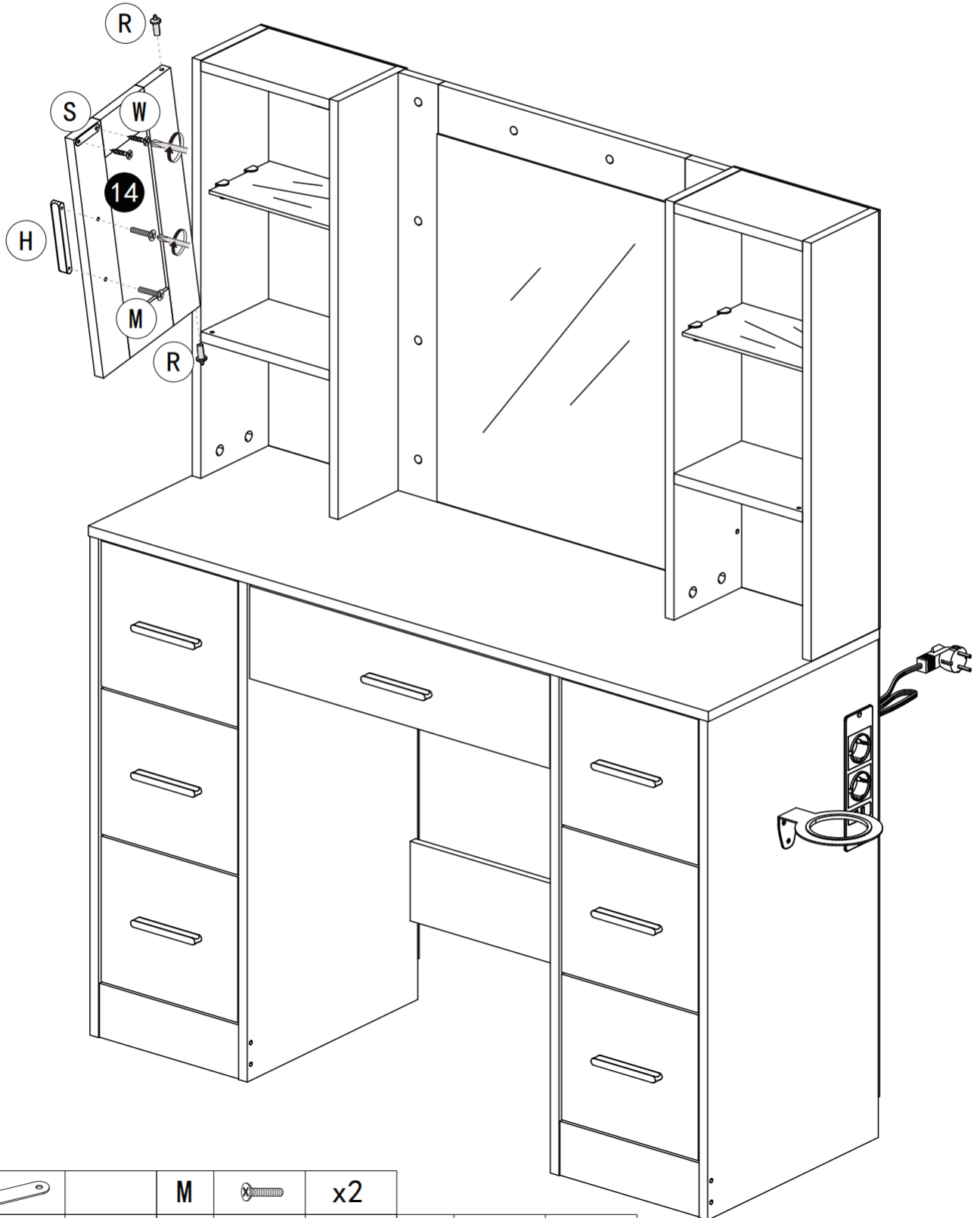
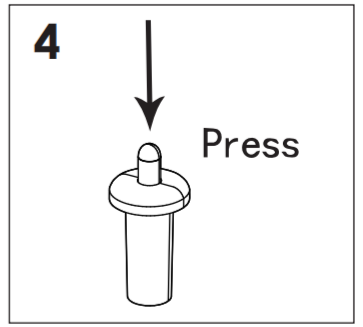
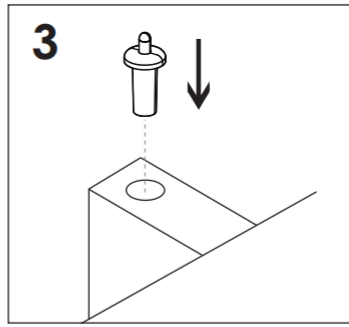
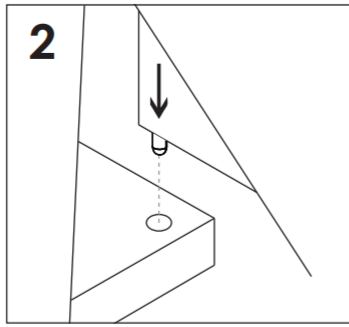
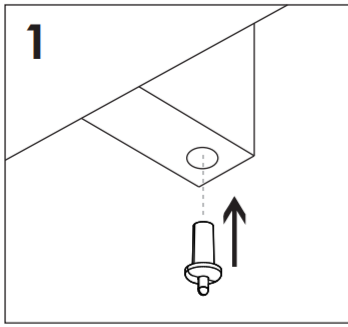
28



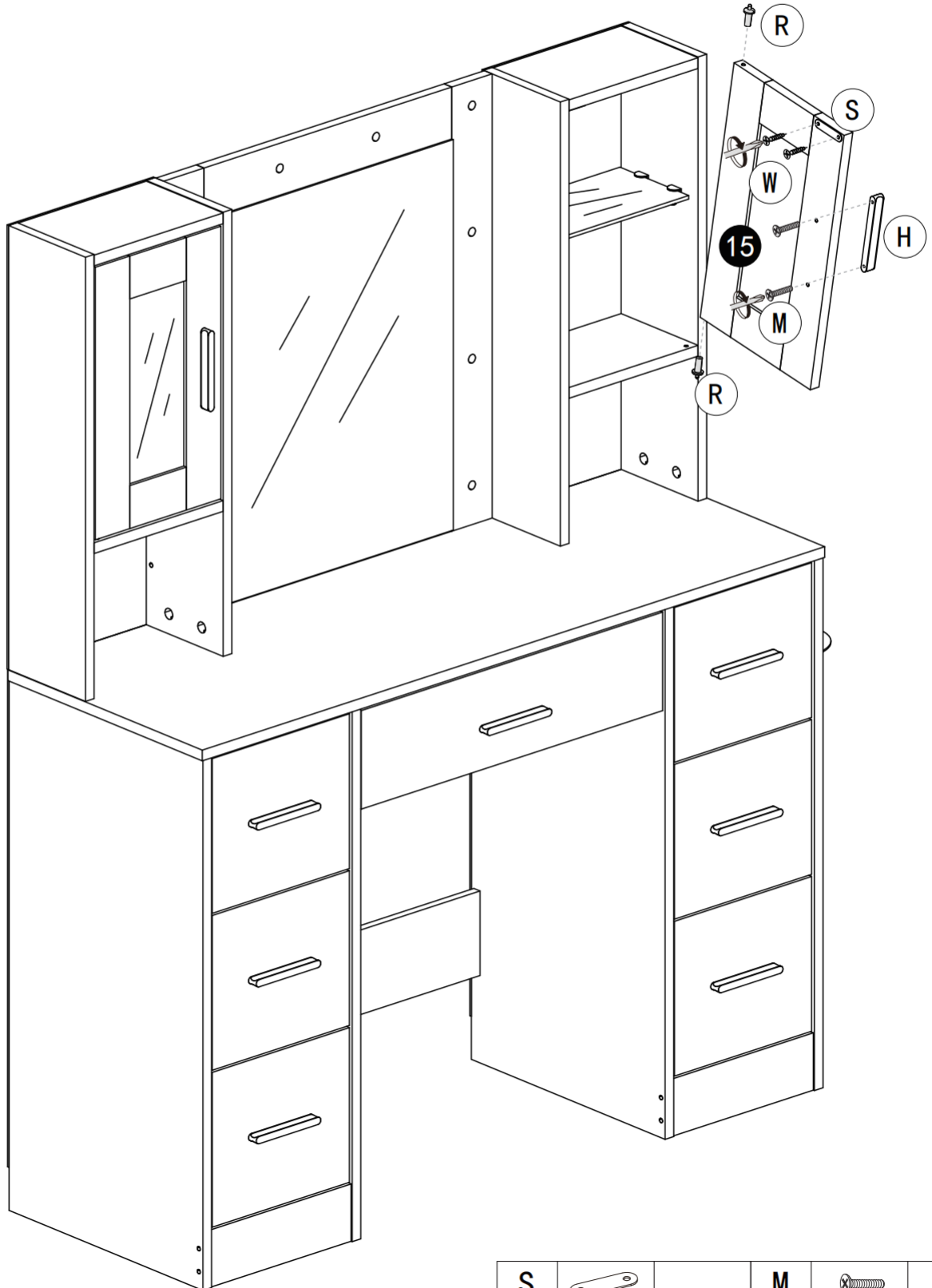
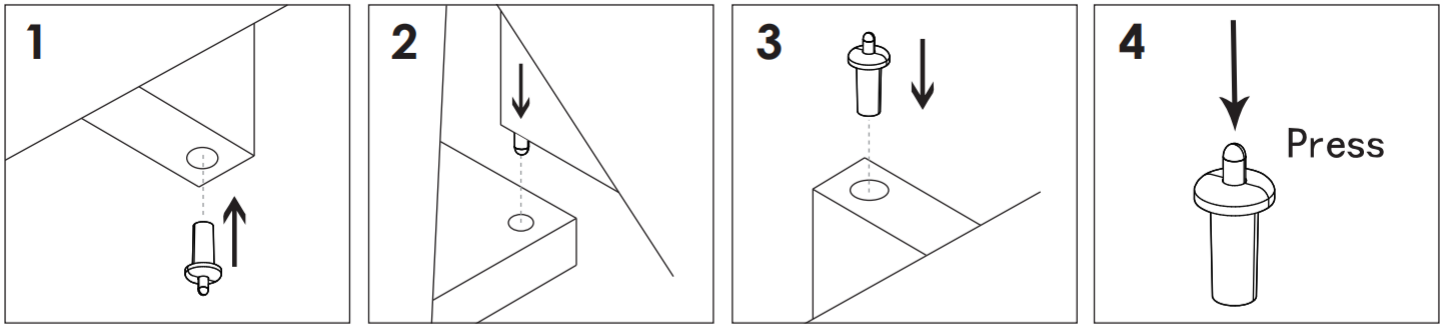
T		x1
E		x3





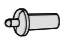






S			M		x2
W		x2	R		x2
			H		x1

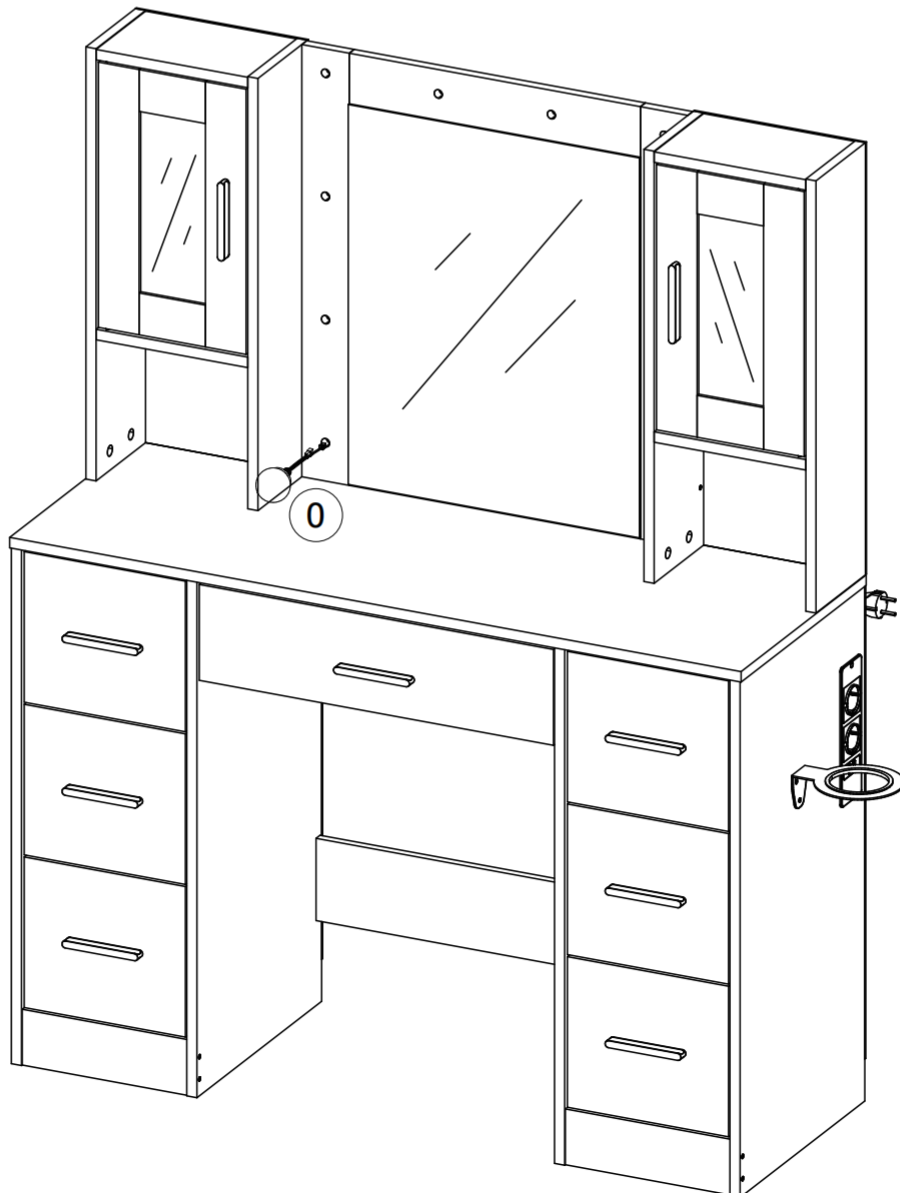
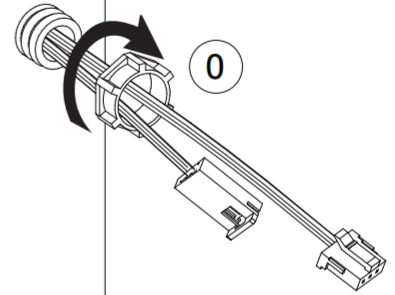
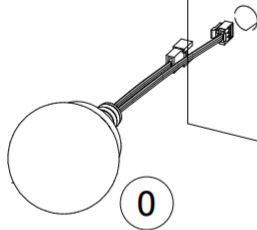


	S			M		x2		
H		x1	W		x2	R		x2

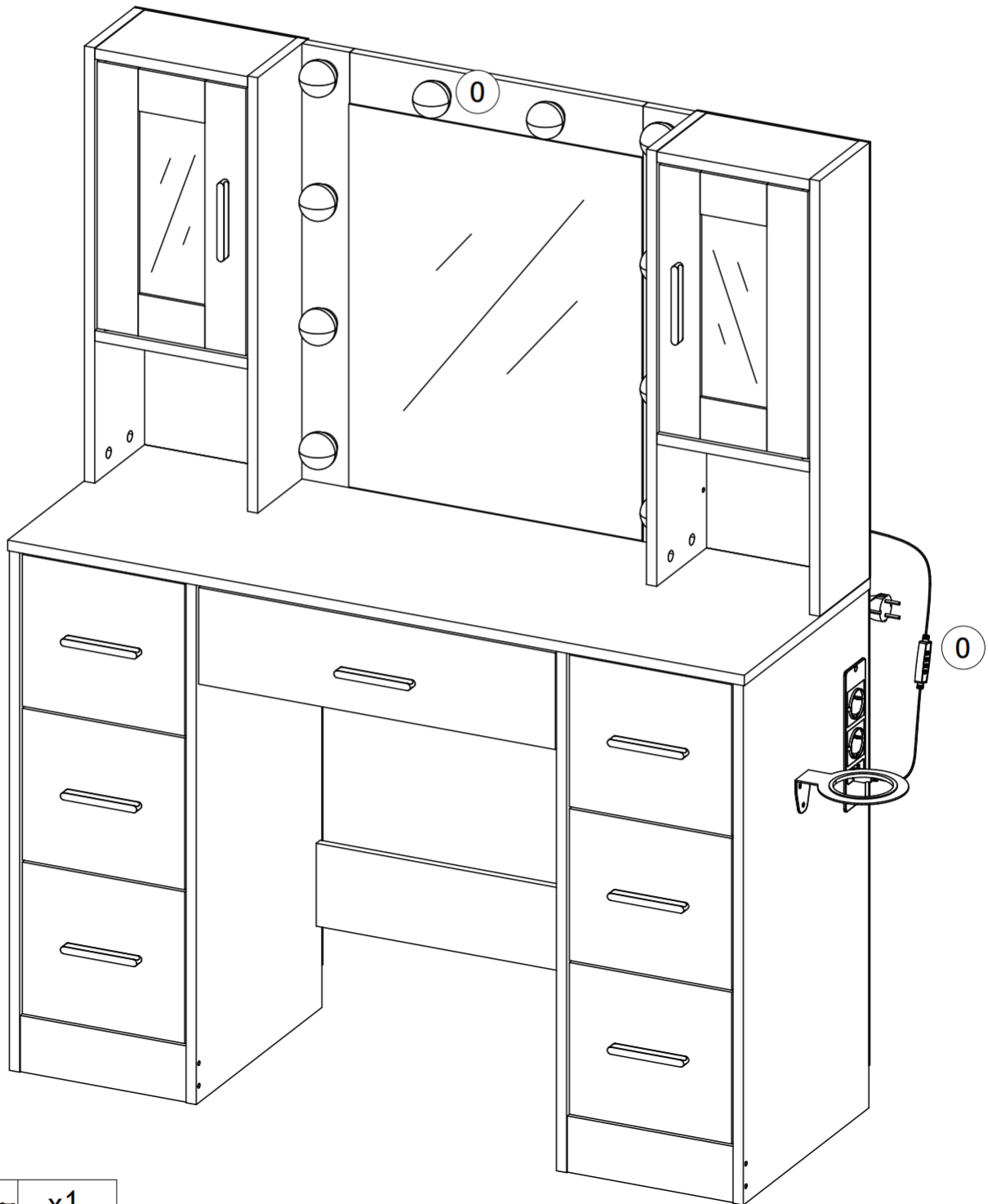
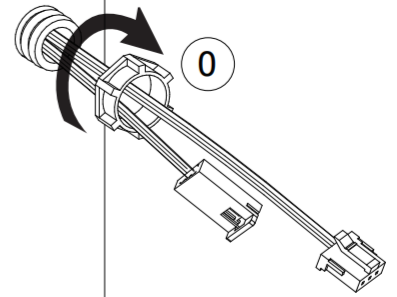
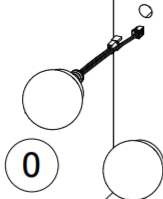


x10 PC

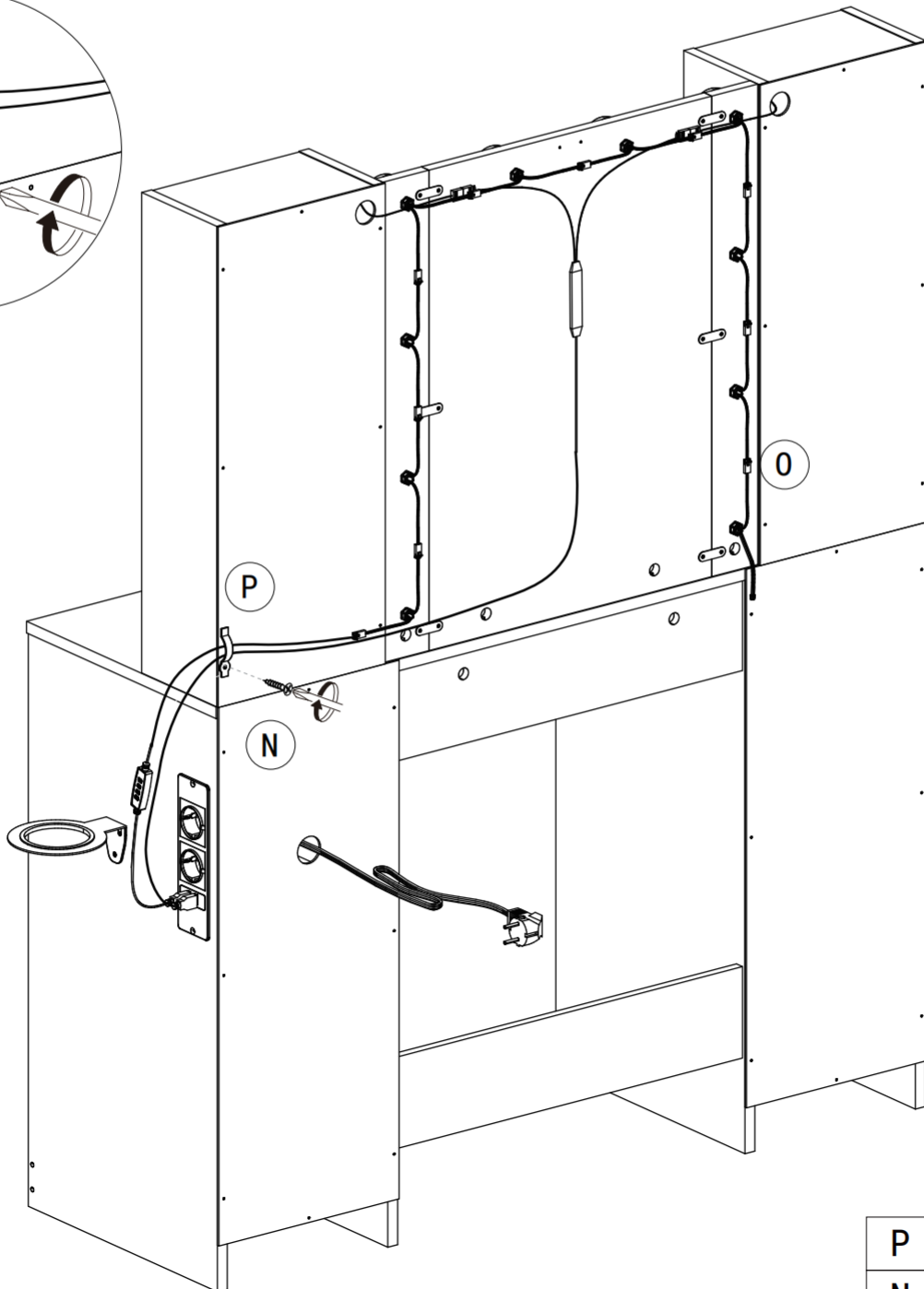
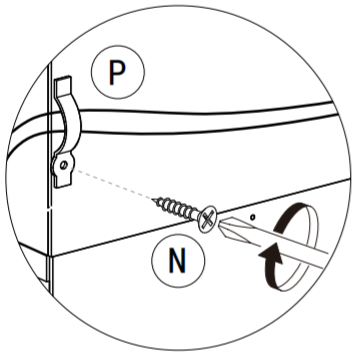
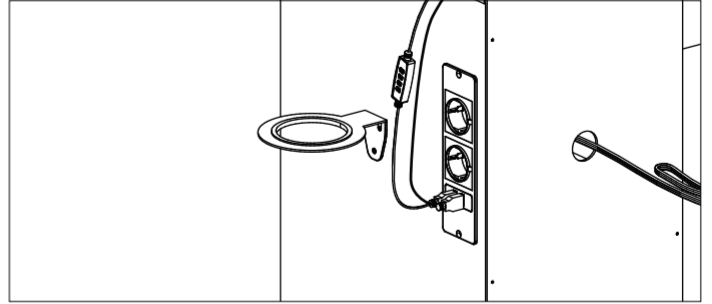
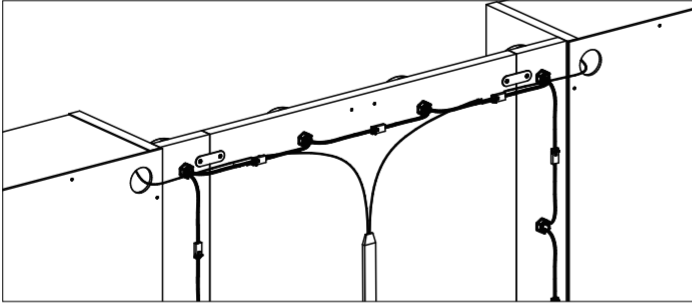
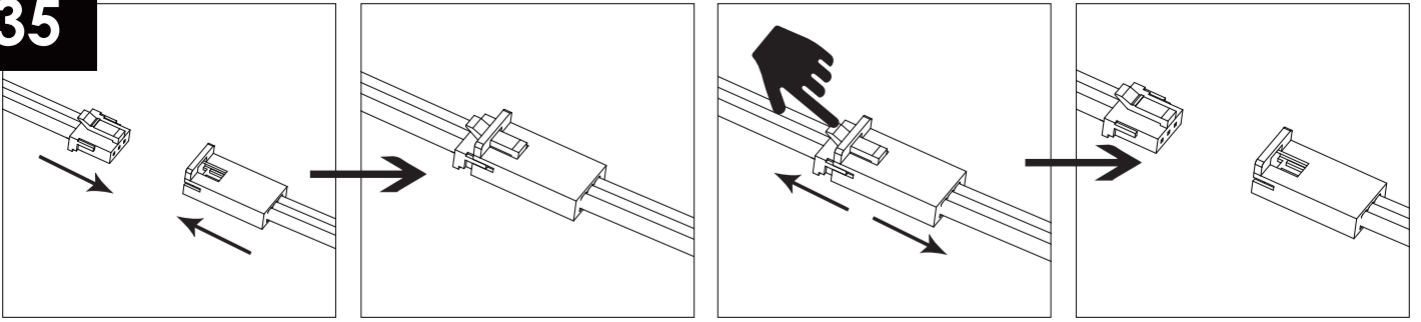
Install the
middle bulbs
(10 pcs)





34



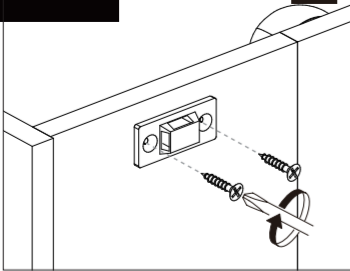
0  x1



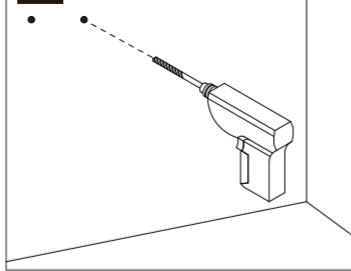
P		x1
N		x1

36

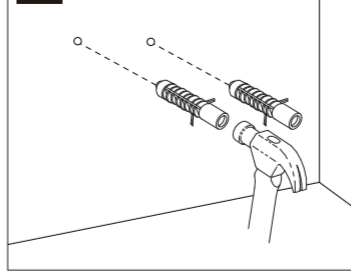
1



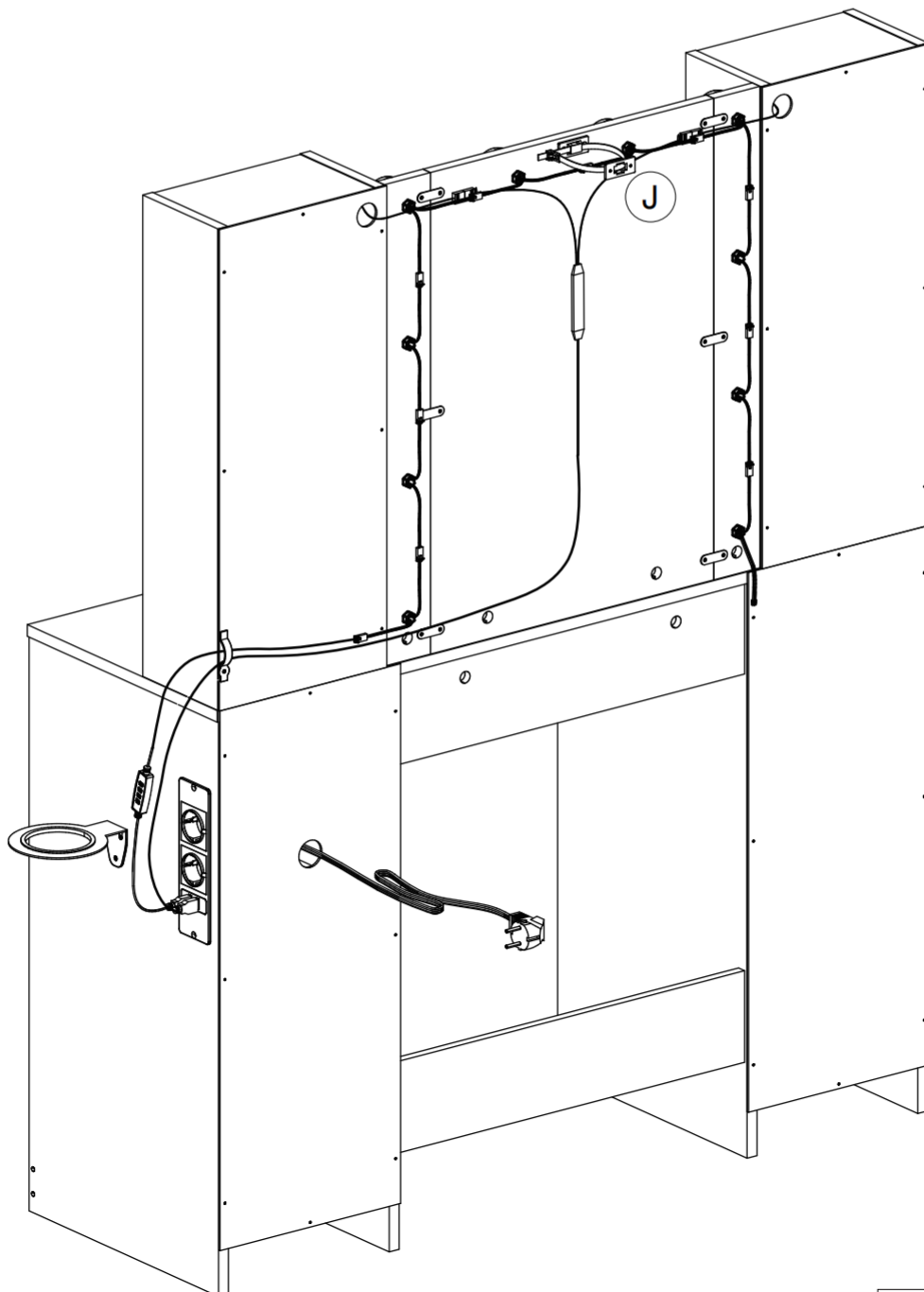
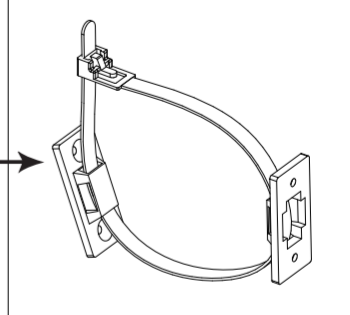
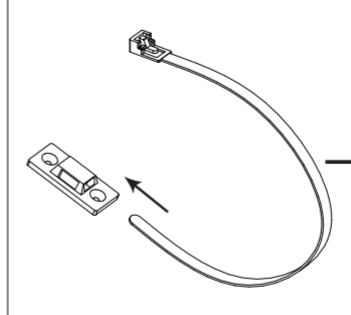
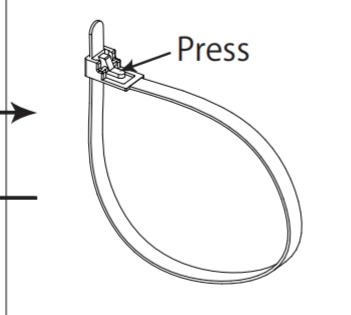
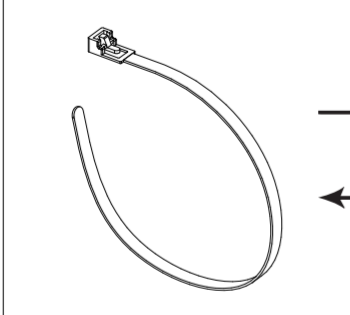
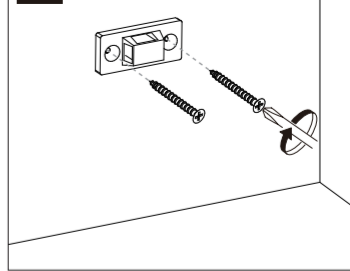
2



3



4

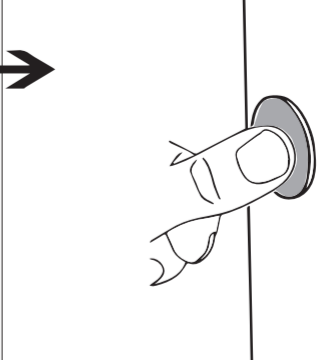
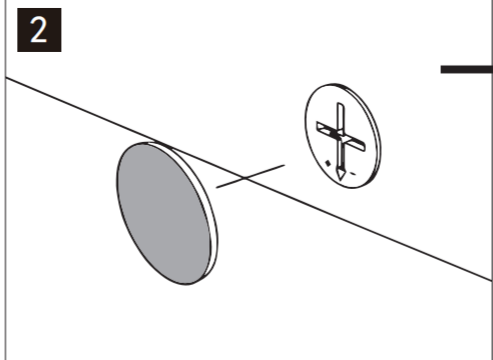
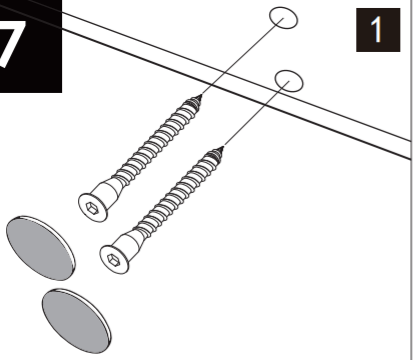


J  x1

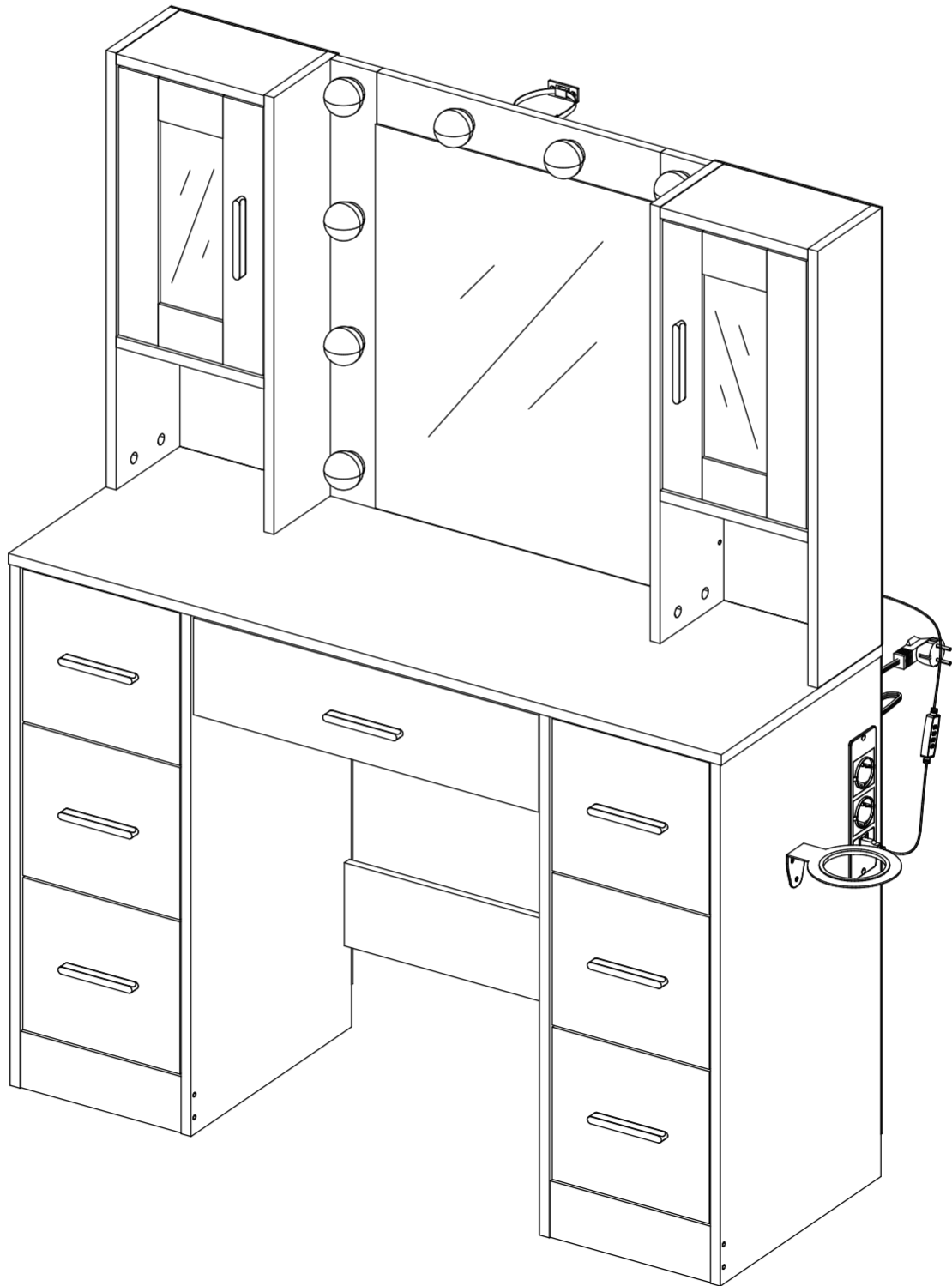
37

1

2



Add L fittings to all exposed holes on the front of the product



L  x20