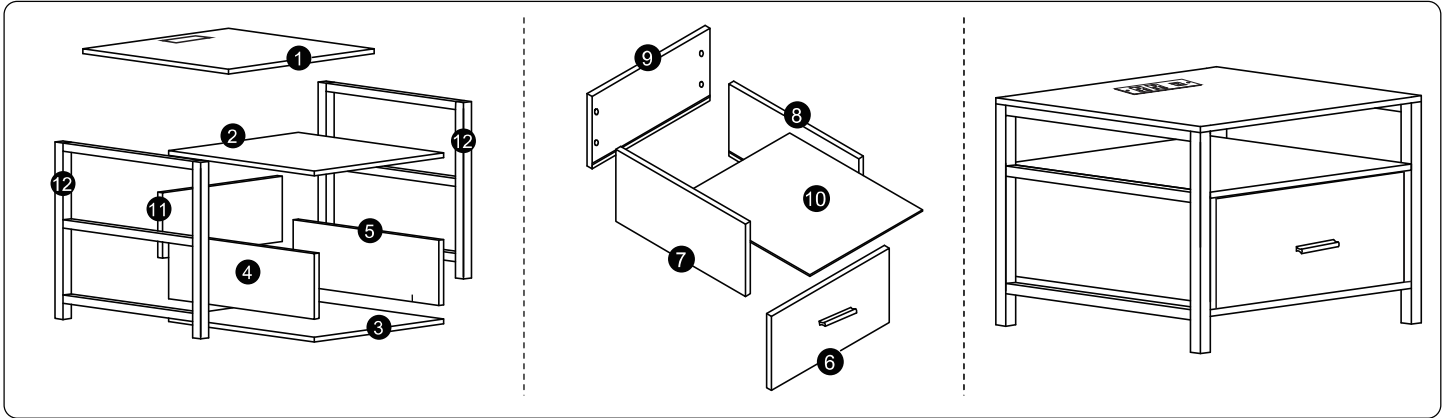


# Instruction Manual

## Tips!

Check all the components & screws before assembly. **Do not install in case part is missing, contact us to get**



## Components

1		1	8		1
2		1	9		1
3		1	10		1
4		1	11		1
5		1	12		2
6		1			
7		1			

## Screws&Tools

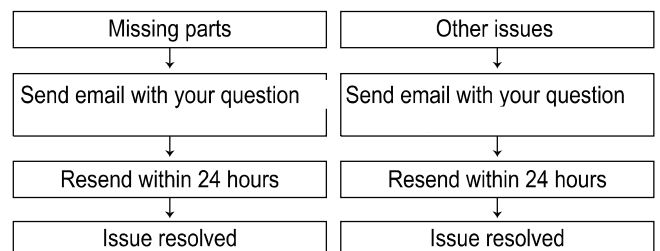
A			8
B		M5*40mm	10
C		M5*50mm	8
G		M6*25mm	4
S		M4*15mm	2
T		ST3.5*12mm	2
R			1
Z			1

## Return Policy

We believe you will absolutely love your new item. But if for some reason you want to return, please contact us directly before you decide to return your product. Our customer service organization can answer most concerns and assist you with any questions you may have about your new item, please email us first

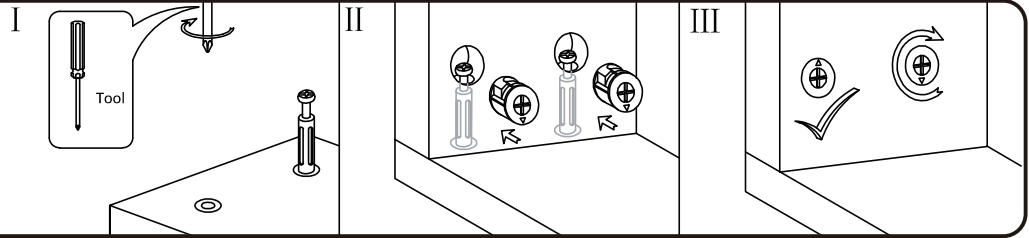
The item must be returned within 30 days of delivery for a full refund. The item must be returned in good condition, in original box, with all original proof of purchase, parts and accessories.

## Trouble shooting



We control manufacturing and distribution ourselves, ensure the quality.

# "A" Hardware installation example



## Step A: Drawer Assembly ( 1 2 3 )

**1**

**A**  
4PCS

**2**

**3**

**B**  
M5\*40mm  
4PCS

**4**

**Z**  
1PC

**S**  
M4\*15mm  
2PCS

**5**

**B**  
M5\*40mm  
6PCS

**6**

**A**  
4PCS

**7**

**C**  
M5\*50mm  
4PCS

**8**

**C**  
M5\*50mm  
4PCS

**9**

**T**  
ST3.5\*12mm  
2PCS

**R**  
1PC

**10**

**G**  
M6\*25mm  
4PCS

**11**

To prevent drawer slide off, the hinge should be opened as the picture shows.

Hinge

**12**