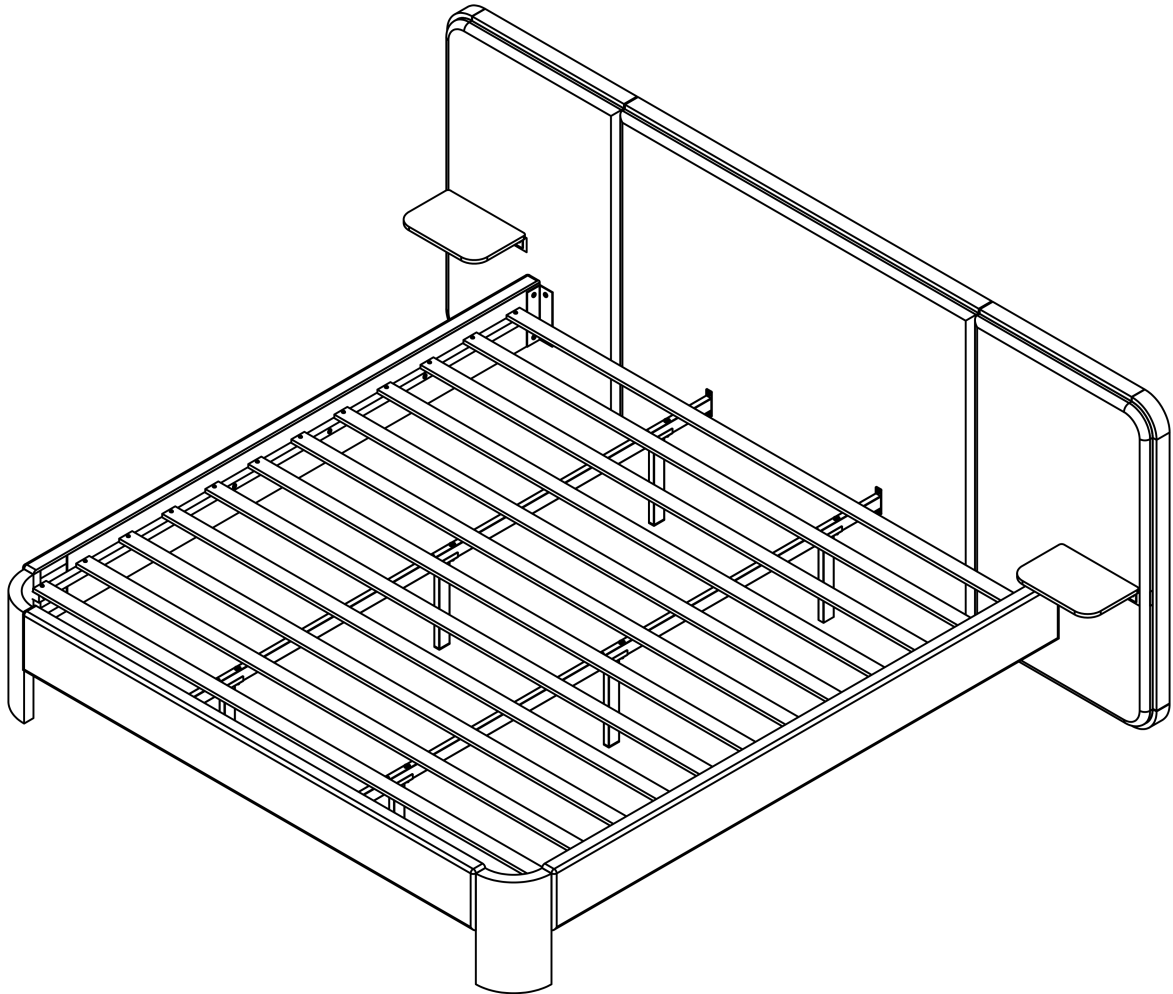


# ASSEMBLY INSTRUCTION













---


Our product will be delivered to you in 2 packages. The delivery times of these 2 packages may differ, please be patient and thank you for your understanding.

# ASSEMBLY INSTRUCTION

**Caution: You must read this before you proceed**

## Care & Maintenance

-  ● Not for commercial use. For residential use only.
-  ● Furniture may scratch floors. We recommend using furniture pads to protect your floors.
-  ● Do not put hot items directly on furniture surface.
-  ● Do not clean furniture with harsh cleansers or polish.
-  ● Do not place furniture under direct sunlight.
-  ● Do not place furniture near heating or cooling vents.
-  ● Do not write on furniture without a padded barrier to protect the surface
-  ● Do not place furniture outside. For indoor use only.
-  ● Stains may be removed with mild soap solution and damp cloth.
-  ● Children should not climb or jump on the furniture.

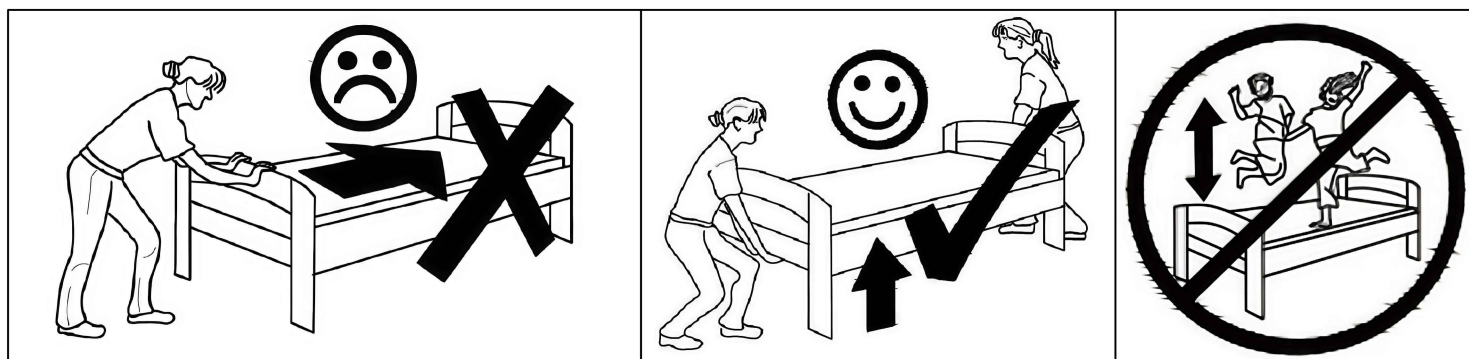
-  ● Dust and pick-up spills using a clean, non-colored, lint-free cloth

Please look in carton for hardware packs, bas and lamp.

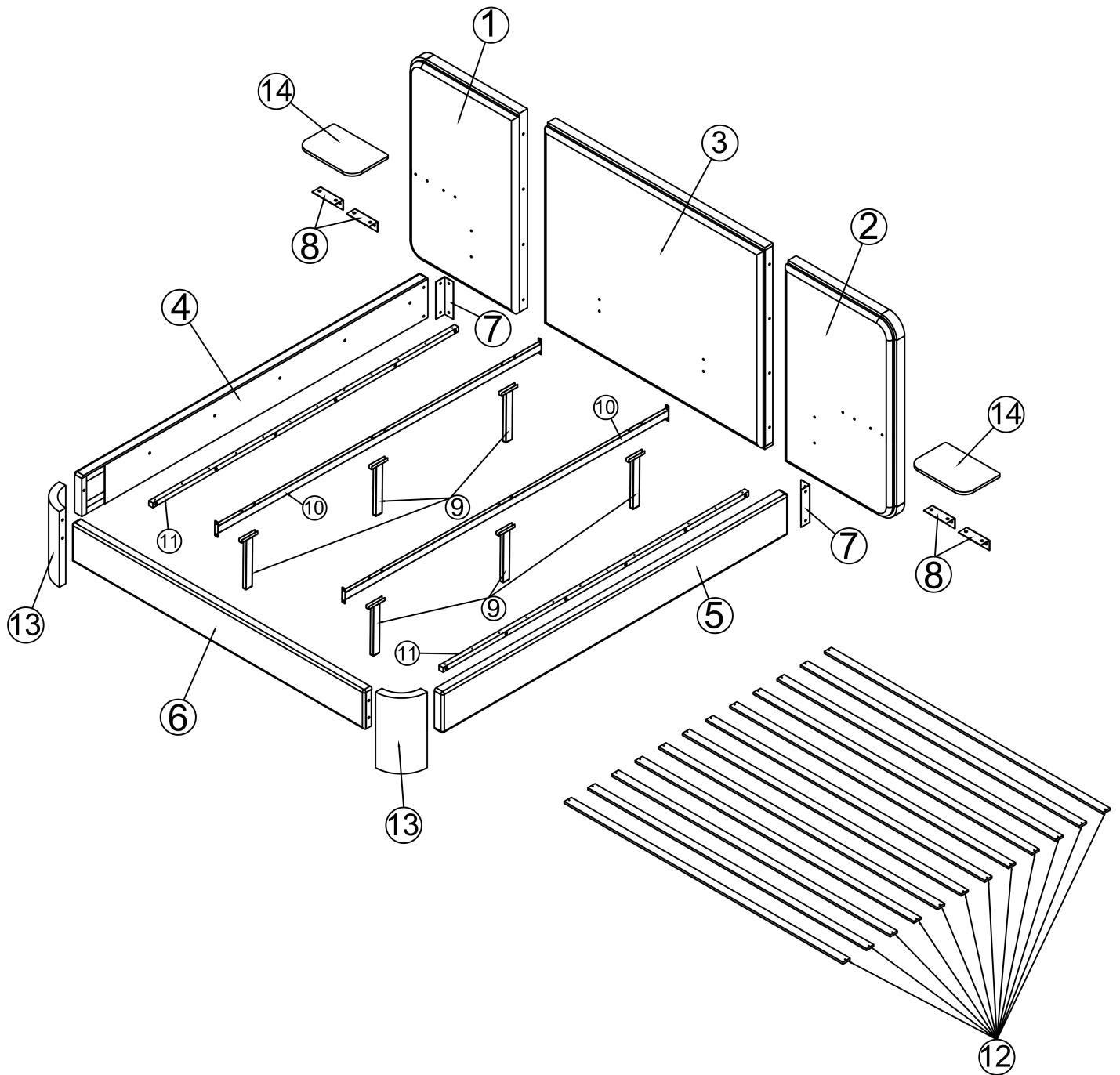
Before installation, insert the screws into the holes and tighten them, but do not tighten them to 100%, 70% to 80% is sufficient. Finally, after all screws are installed, tighten all screws to 100%. If you encounter these issues, such as if the holes cannot be aligned or some parts cannot be installed, please check if the screws are used correctly and adjust the tightness of the screws.

### IMPORTANT! KEEP FOR FUTURE REFERENCE READ CAREFULLY

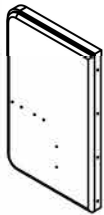
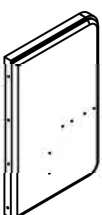
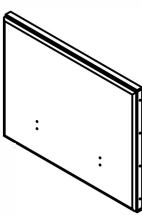
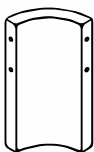
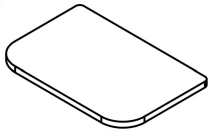
- To be assembled by two adults. Assembly must be checked by an adult before use
- WARNING! Keep all screws, small parts and plastic bags out of the reach of children
- Properly identify all parts before assembling
- Never use your item if any of its parts are broken or missing
- Should any problems arise, please contact our After Sales Service
- Manufacturer's instructions shall be followed at all times
- Care: Clean with a soft, dry cloth, In case of larger stains, carefully rub with a slightly damp, non-abrasive sponge
- Avoid the risk of fire by not placing furniture near sources of ignition or hot items
- Do not jump on the bed



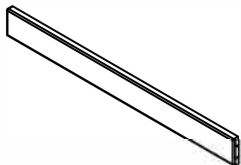
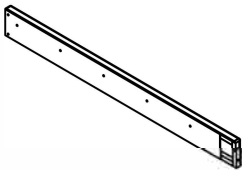
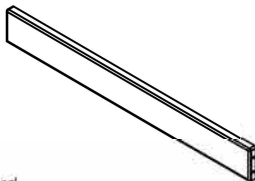


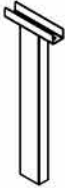
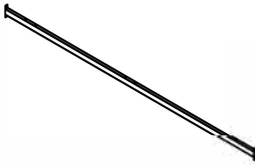
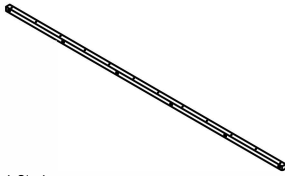

# ASSEMBLY INSTRUCTION



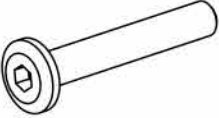
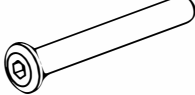
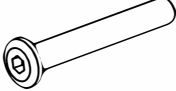




## Part List ( Box 1 )

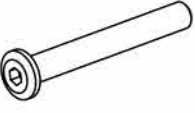
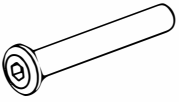
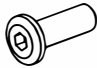

<p>① x1</p>  <p>Headboard Left</p>	<p>② x1</p>  <p>Headboard Right</p>	<p>③ x1</p>  <p>Headboard Middle</p>	<p>⑬ x2</p>  <p>Wooden Legs</p>
<p>⑭ x2</p>  <p>Parcel shelf</p>			

## Part List ( Box 2 )

<p>④ x1</p>  <p>Side Rail Left</p>	<p>⑤ x1</p>  <p>Side Rail Right</p>	<p>⑥ x1</p>  <p>FootBoard</p>	<p>⑦ x2</p>  <p>L-iron</p>
<p>⑧ x4</p>  <p>Small L-iron</p>	<p>⑨ x6</p>  <p>Middle Metal Legs</p>	<p>⑩ x2</p>  <p>Middle Support</p>	<p>⑪ x2</p>  <p>Support Slats</p>
<p>⑫</p>  <p>Bed Slat</p>			

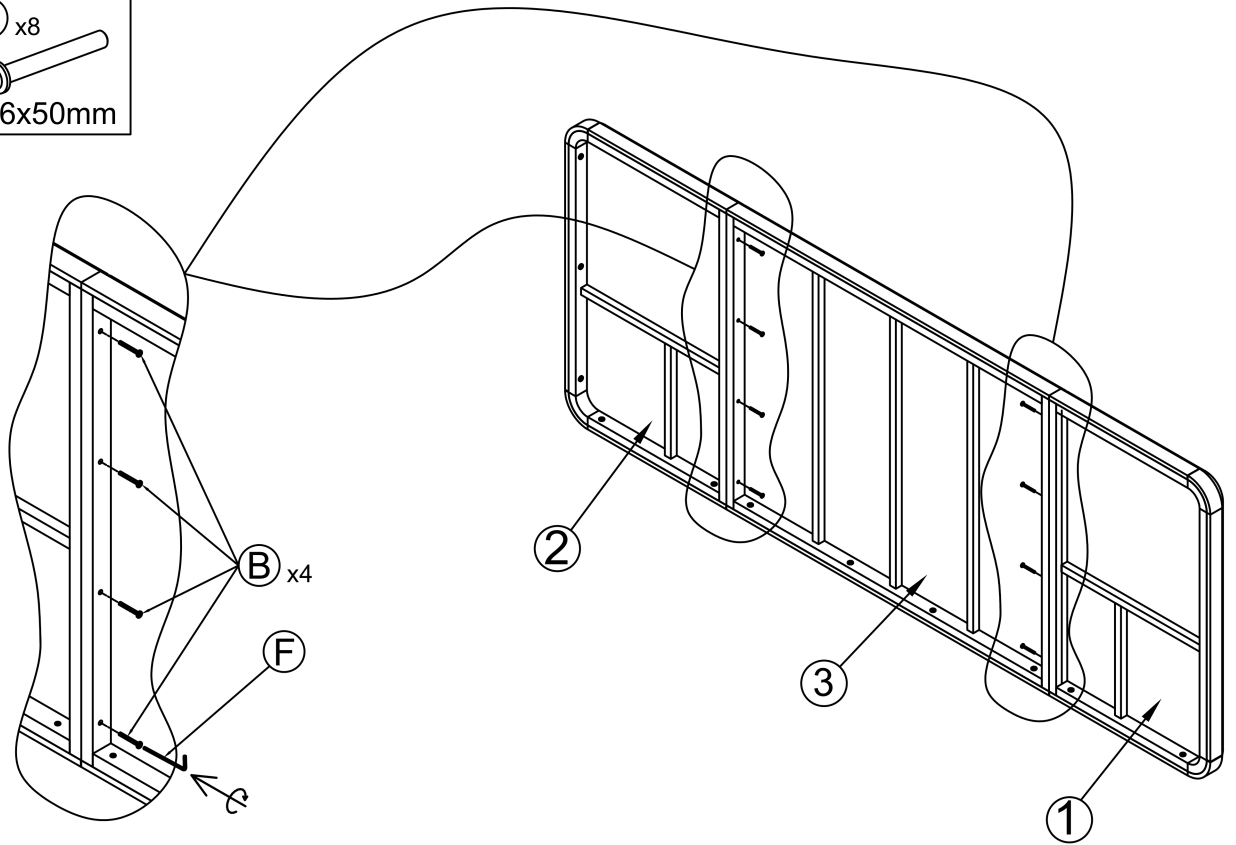
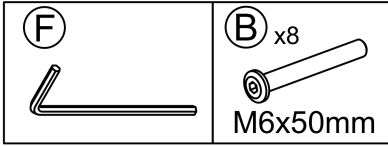
# Hardware List ( Box 2)

<p><b>A</b> x12 pcs</p>  <p>Bolts (M8x55mm)</p>	<p><b>B</b> x16 pcs</p>  <p>Bolts (M6x50mm)</p>	<p><b>C</b> x12 pcs</p>  <p>Bolts (M6x45mm)</p>	<p><b>D</b> x24 pcs</p>  <p>Bolts (M6x15mm)</p>
<p><b>E</b> x8 pcs</p>  <p>Bolts (M6x10mm)</p>	<p><b>F</b> x2 pcs</p>  <p>Allen Key</p>	<p><b>G</b> x24 pcs</p>  <p>Screw (M4x30mm)</p>	

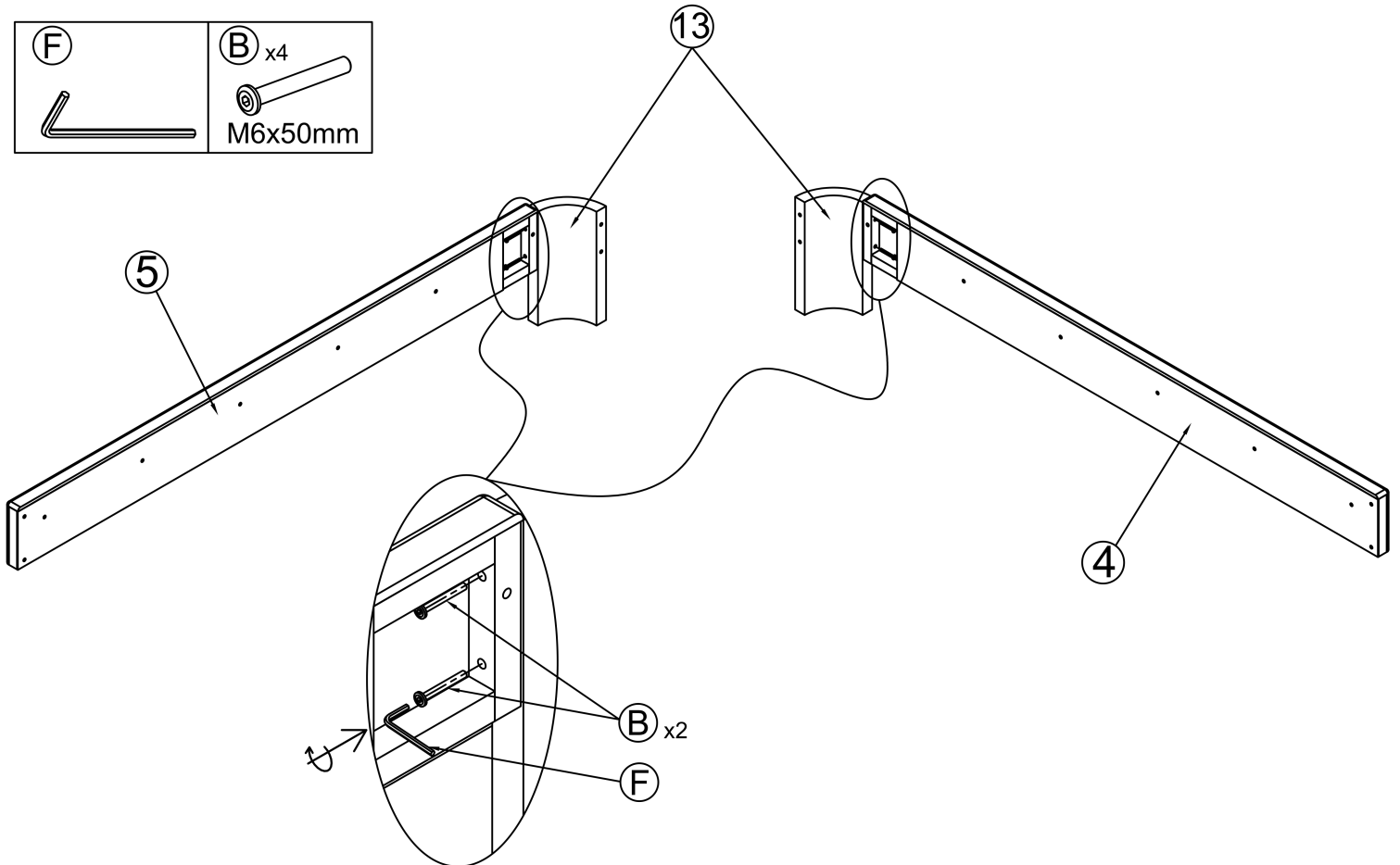
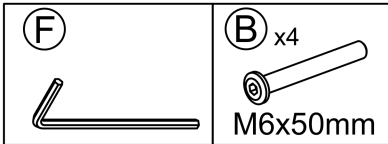
<p><b>B</b></p>  <p>Bolts (M6x50mm)</p>	<p><b>C</b></p>  <p>Bolts (M6x45mm)</p>	<p><b>D</b></p>  <p>Bolts (M6x15mm)</p>	<p><b>E</b></p>  <p>Bolts (M6x10mm)</p>
--	--	---	--

Please note that the shapes of screws B, C, D, and E are similar. Please install according to the instructions and distinguish them!

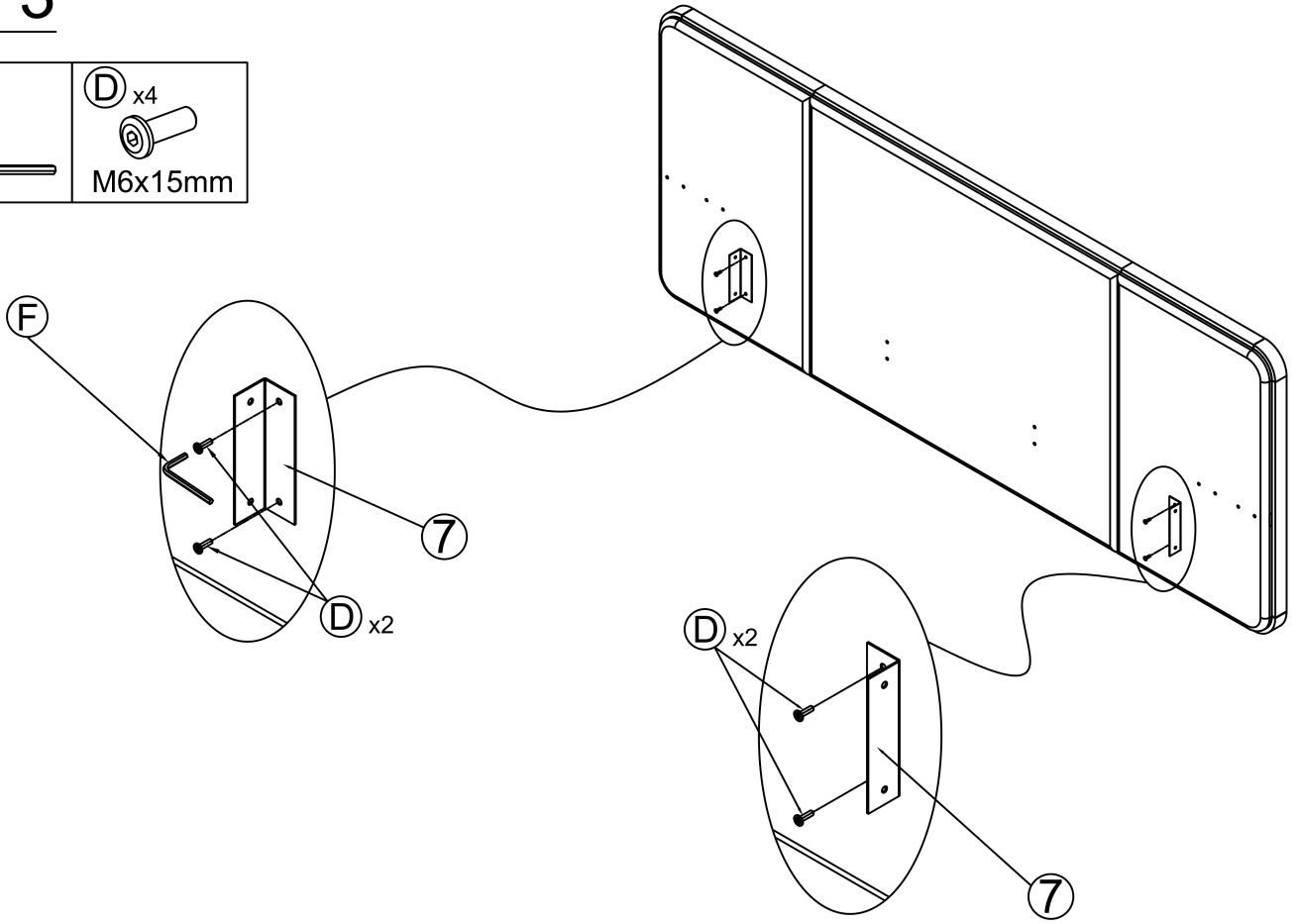
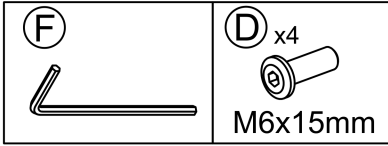
# Step 1



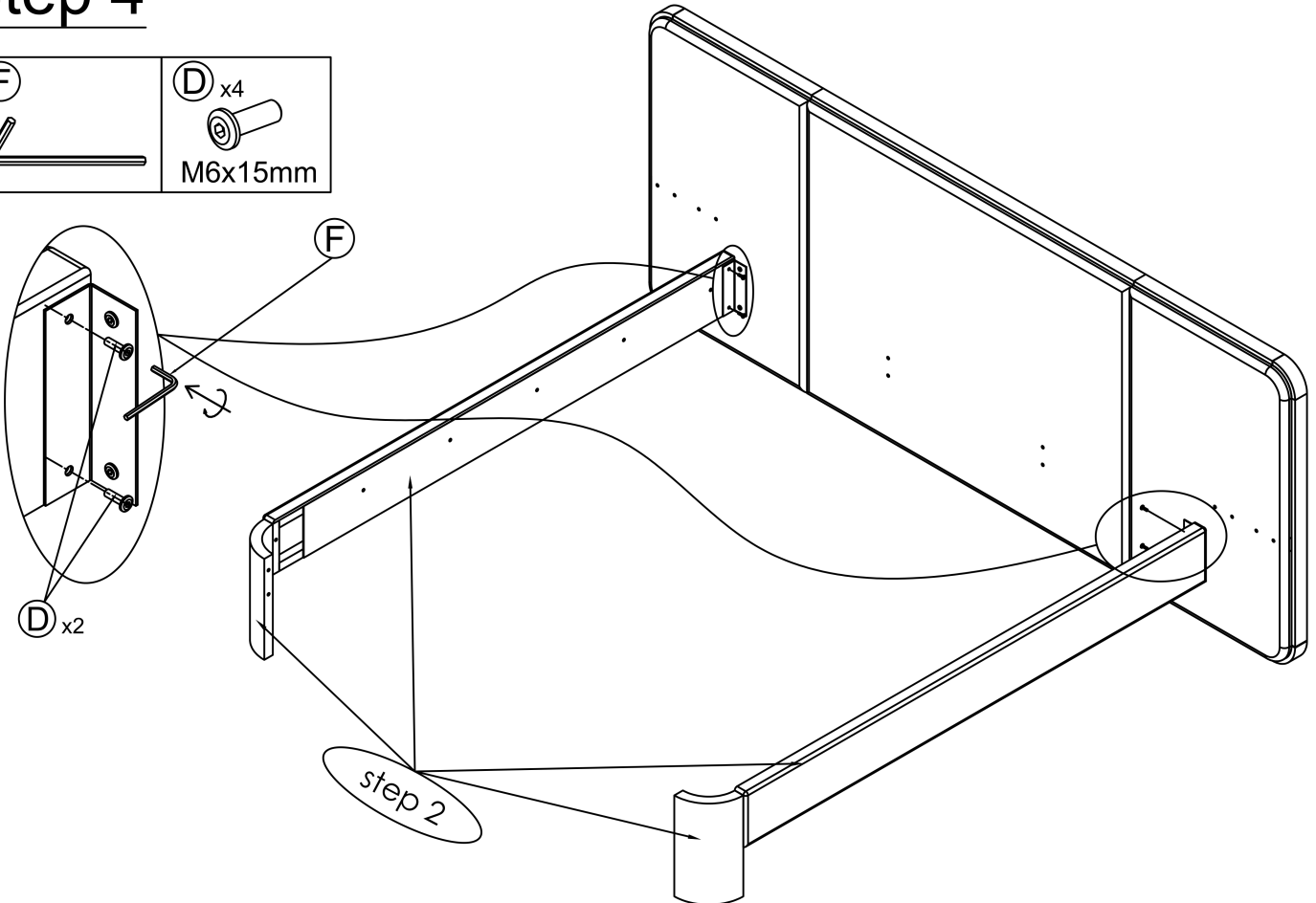
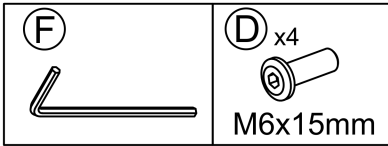
# Step 2



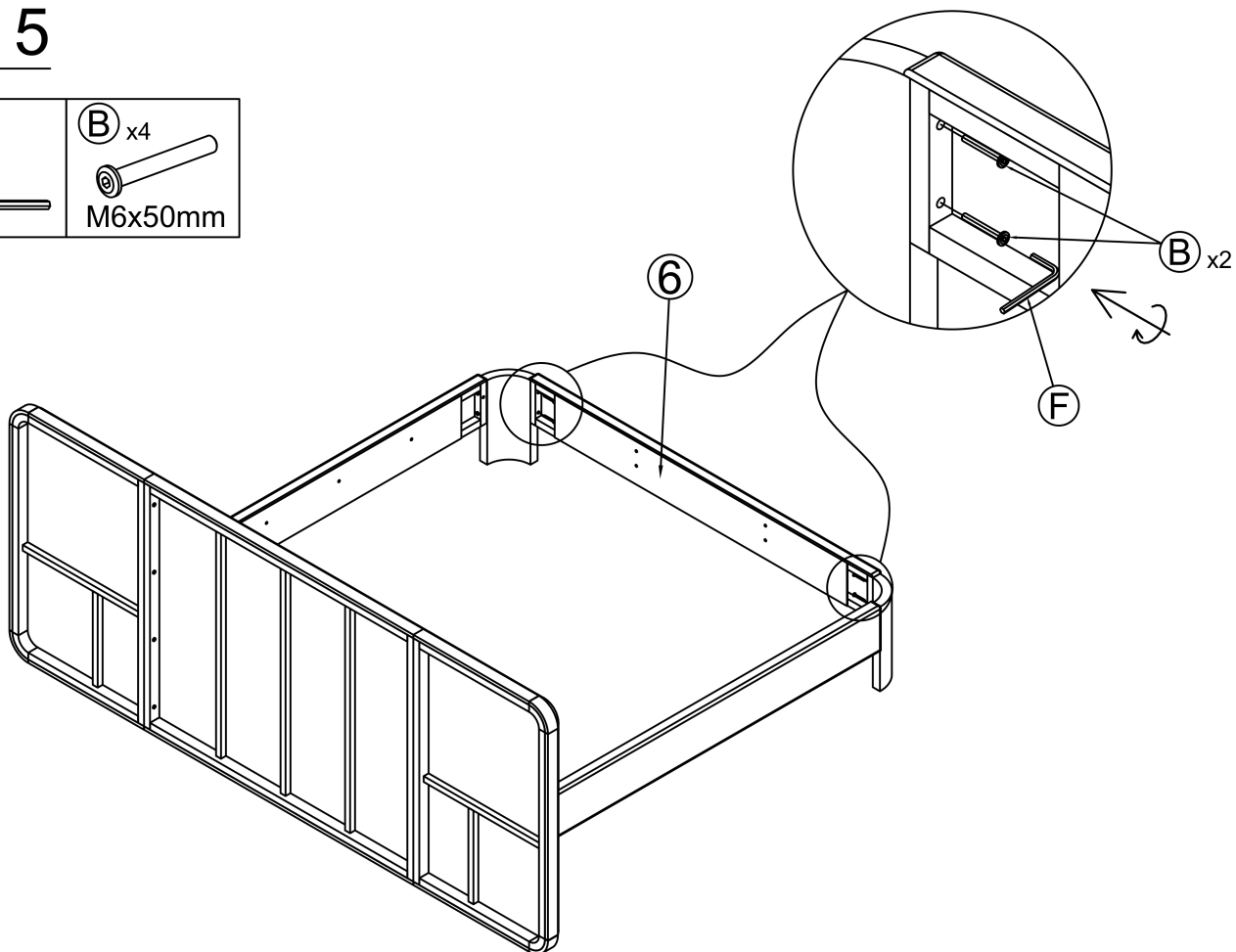
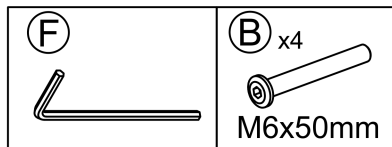
# Step 3



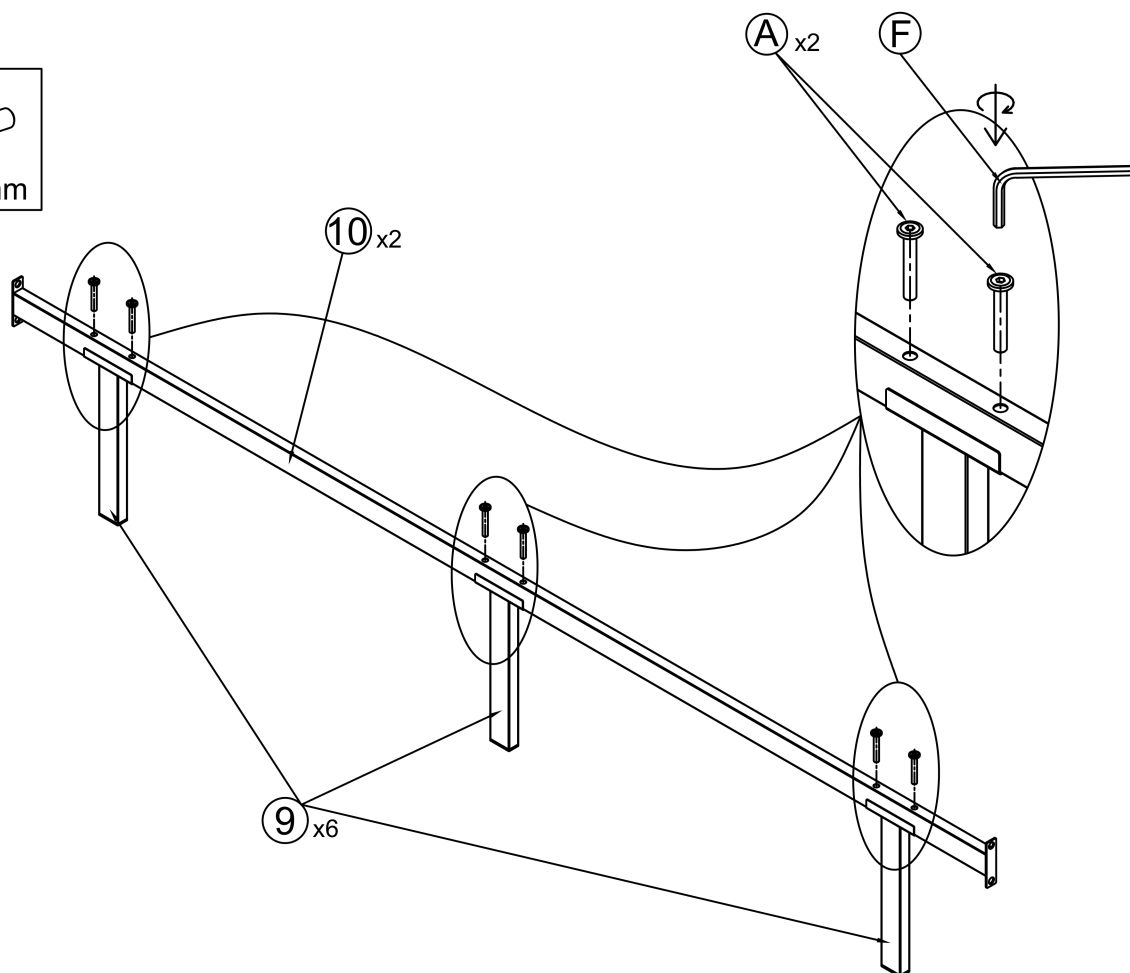
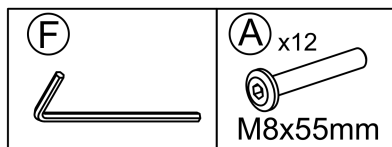
# Step 4



# Step 5

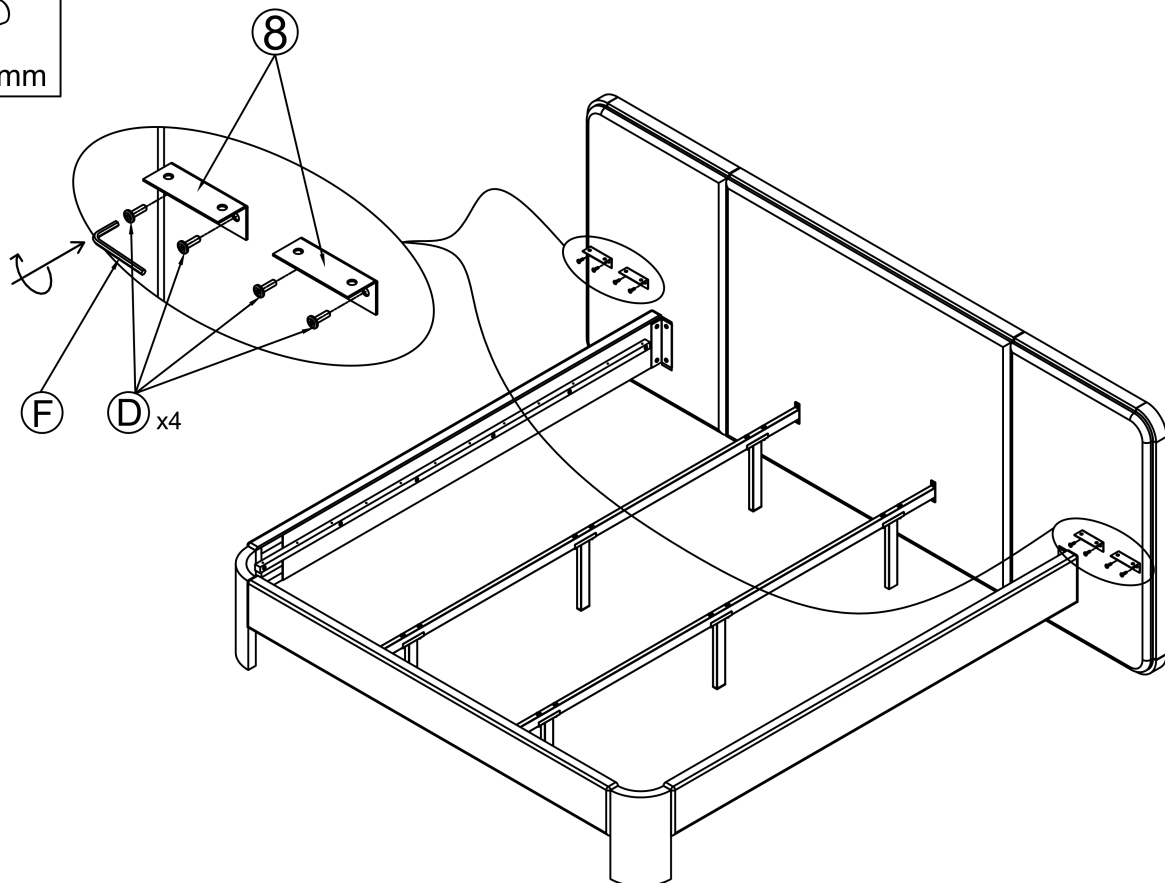
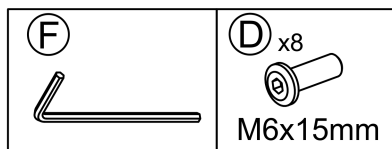


# Step 6

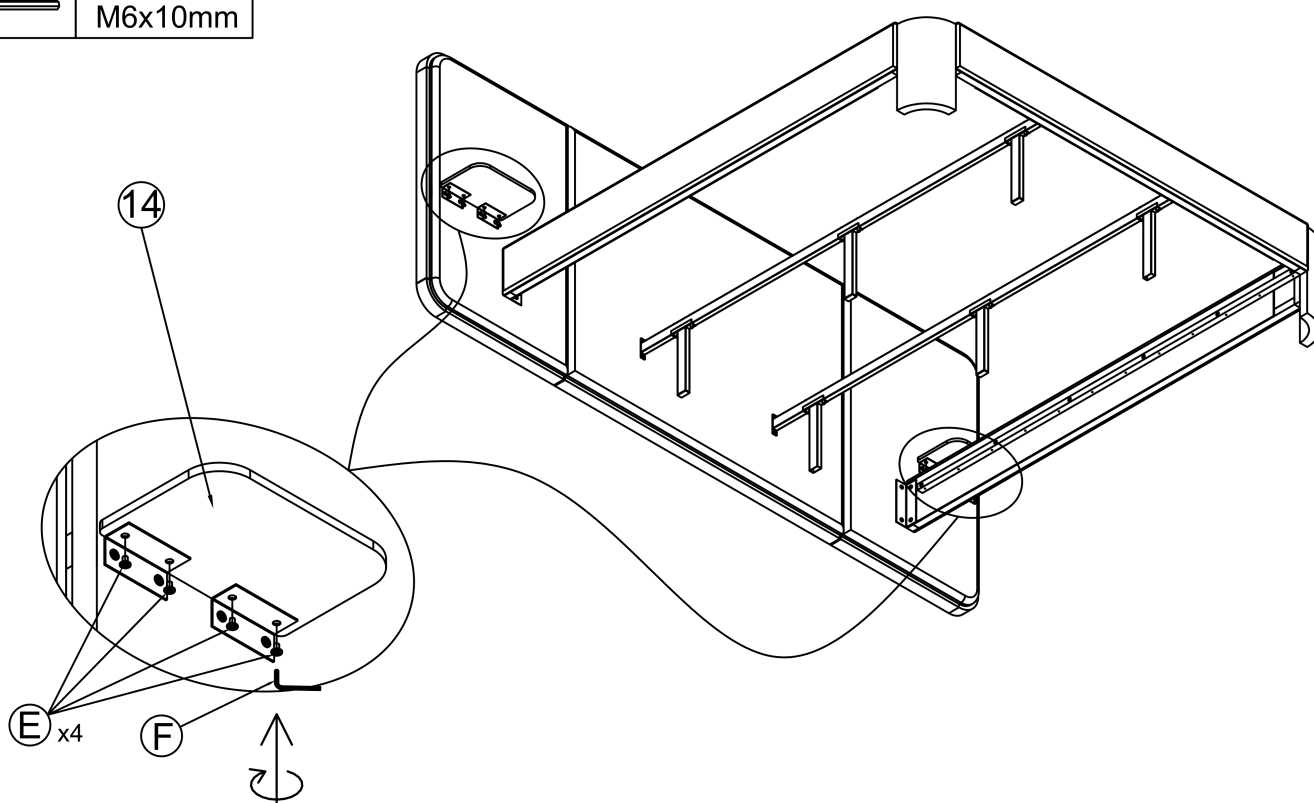
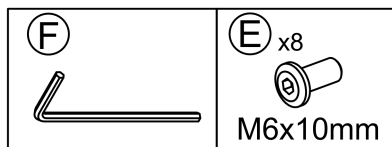




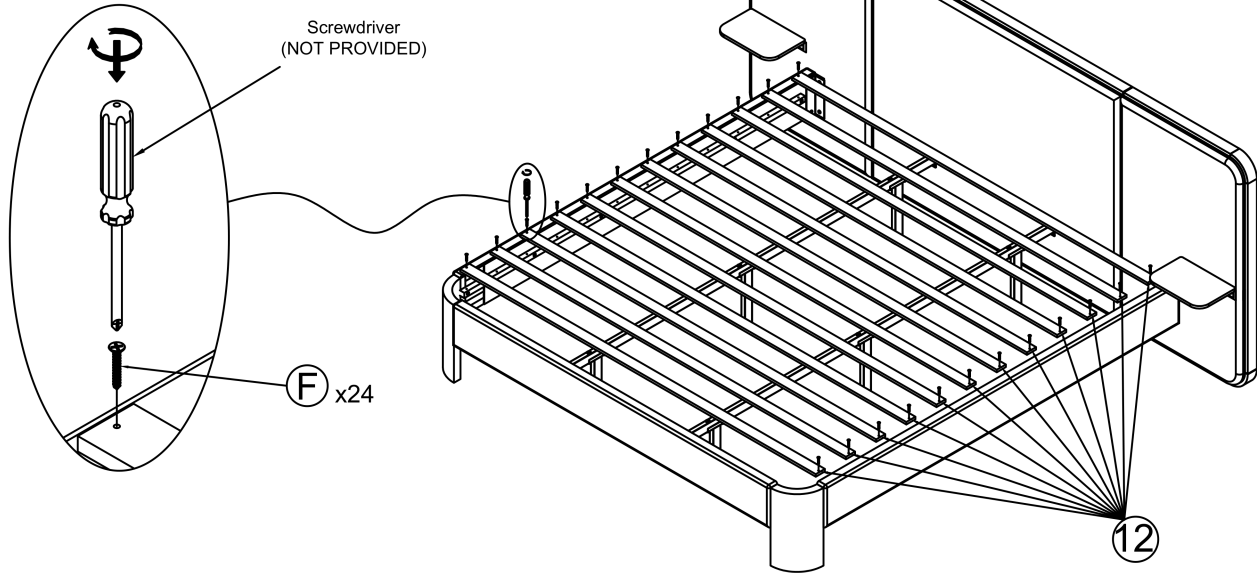
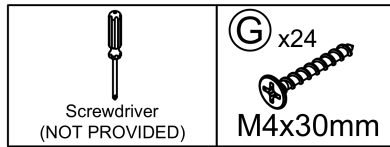
# Step 9



# Step 10



# Step 11



# Step 12

**COMPLETE**

