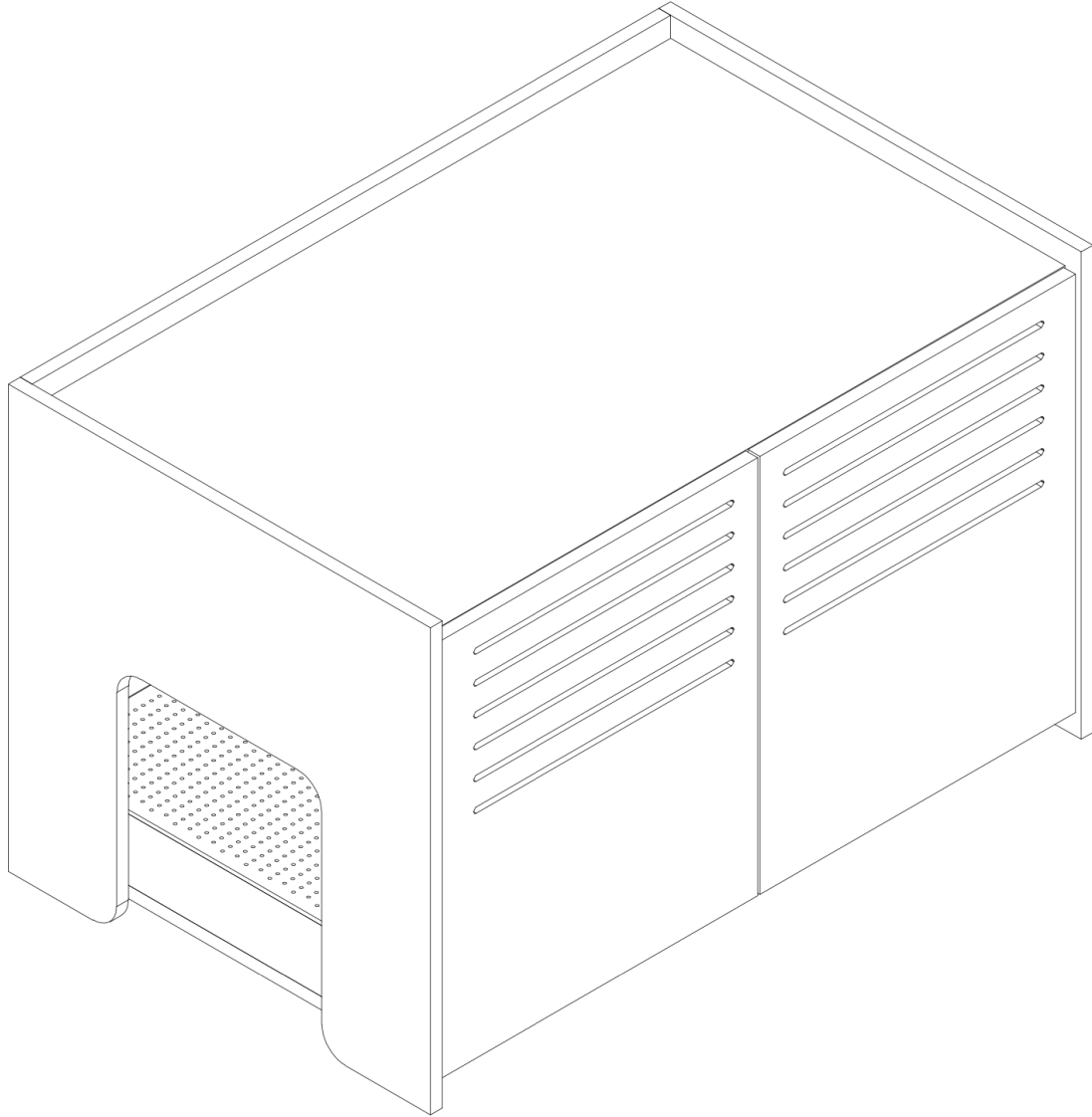


# Assembly Instruction

(SKU:710003)

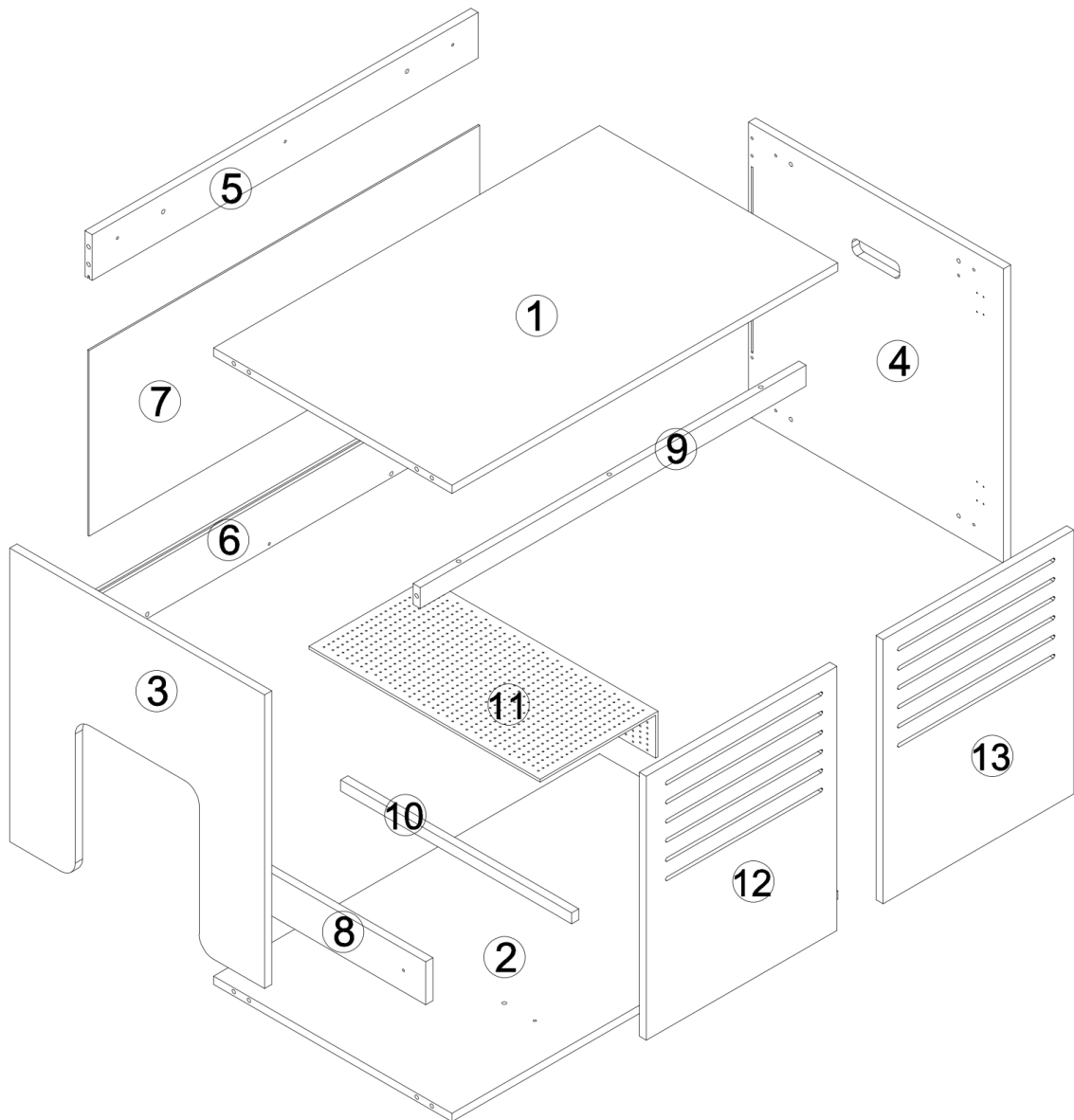


Product name





---

**Cat Litter Box Enclosure**

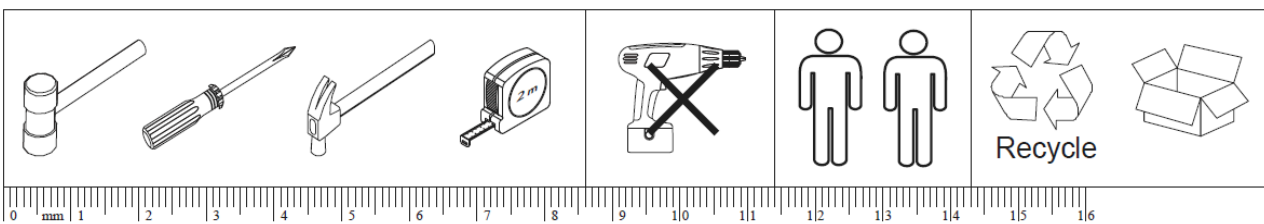
# The Accessories



# The Hardware

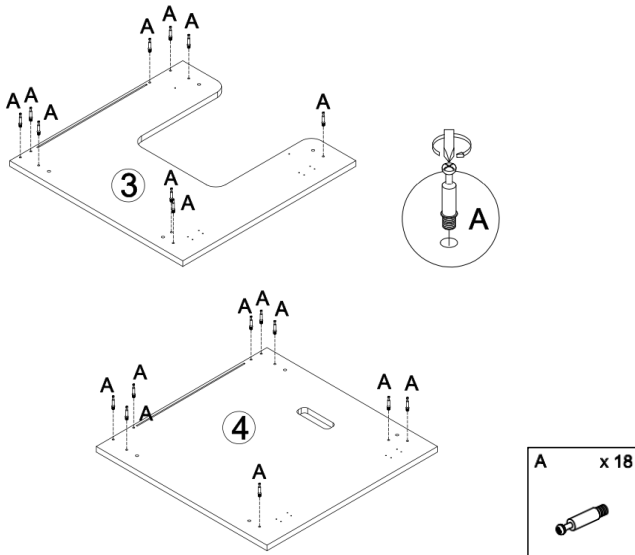
Code	Description	Qty	Code	Description	Qty
A	 $\phi 6 \times 35 \text{mm}$	24	G		2
B	 $\phi 15 \times 10 \text{mm}$	24	H		2
C	 $\phi 6 \times 30 \text{mm}$	15	I	 $\phi 3 \times 12 \text{mm}$	2
D	 $\phi 4 \times 25 \text{mm}$	4	J	 $\phi 3 \times 16 \text{mm}$	4
E	 $\phi 3 \times 14 \text{mm}$	30	K	 $\phi 4 \times 40 \text{mm}$	2
F		4			

**Purchased it from who will be able to resolve any issues.**

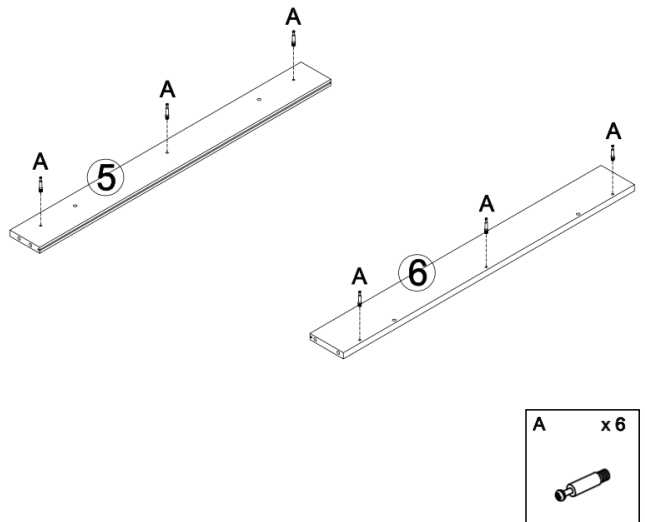


# Assembling

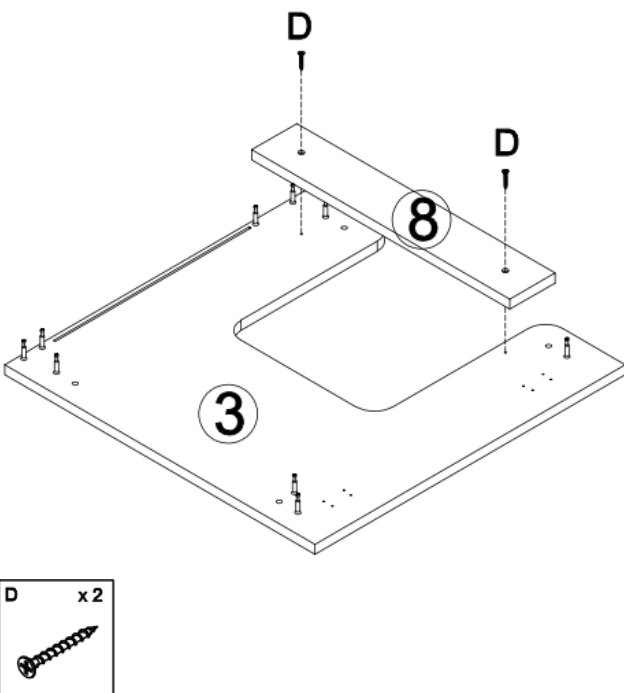
## Step 1



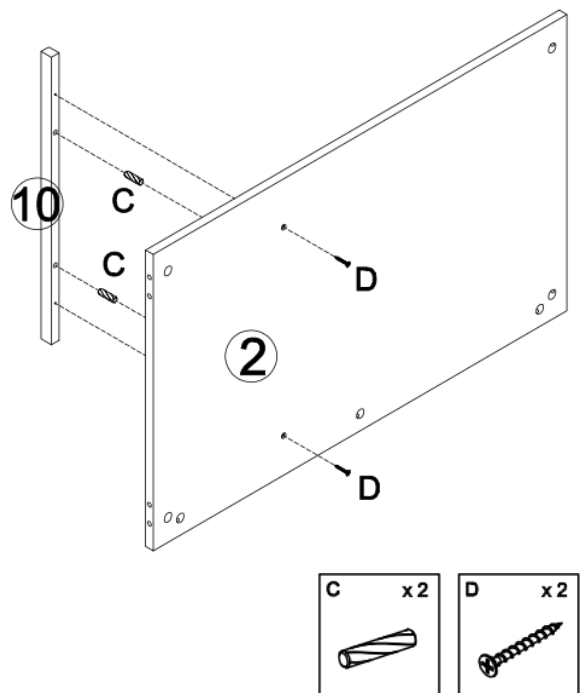
## Step 2



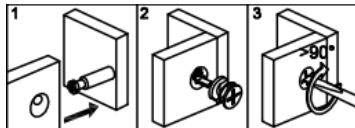
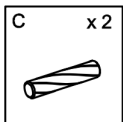
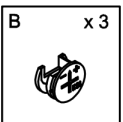
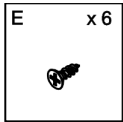
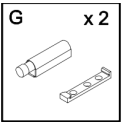
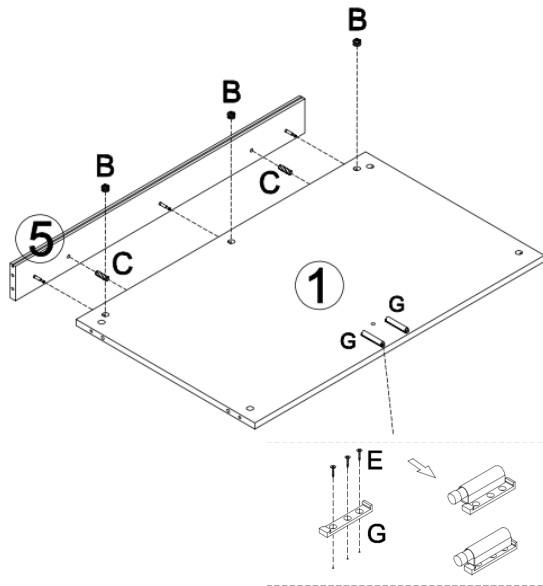
## Step 3



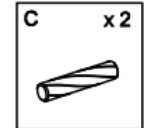
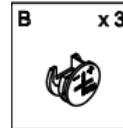
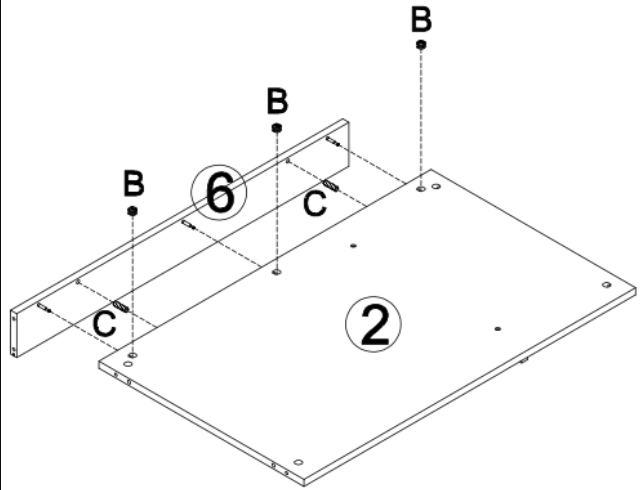
## Step 4



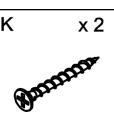
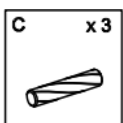
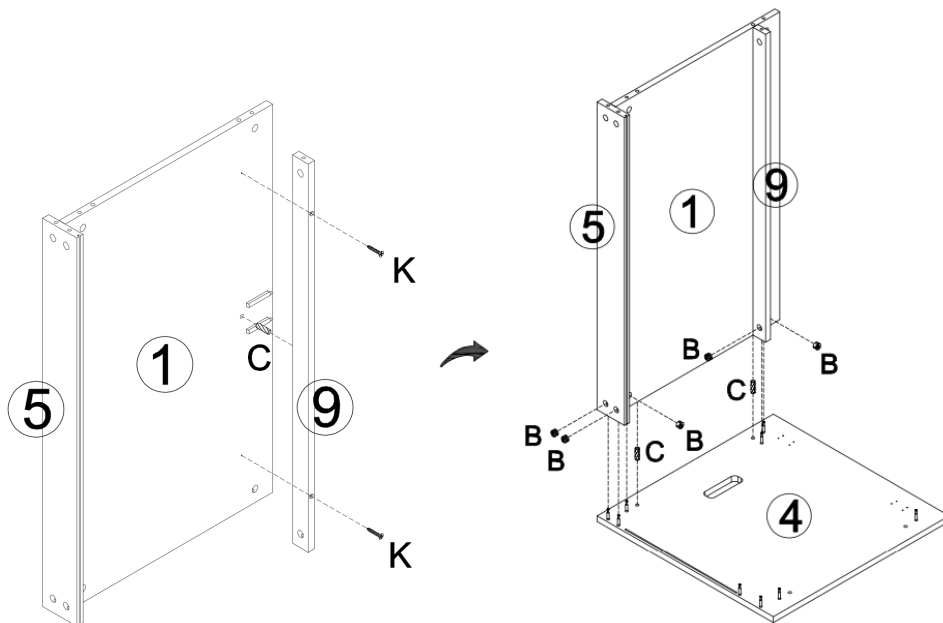
**Step 5**



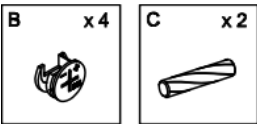
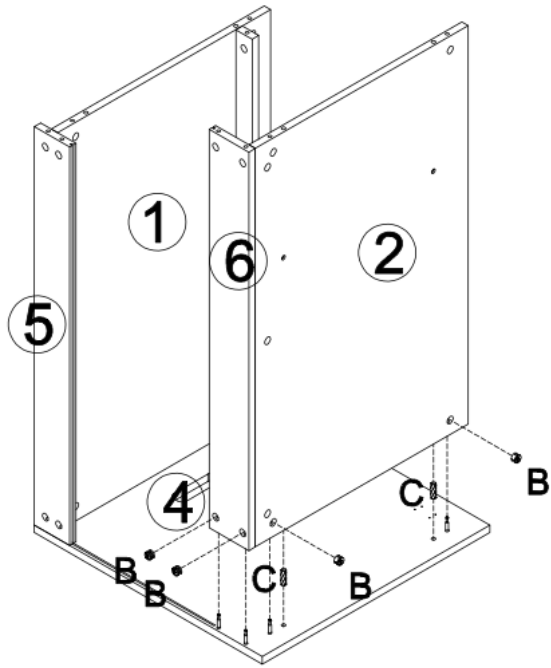
**Step 6**



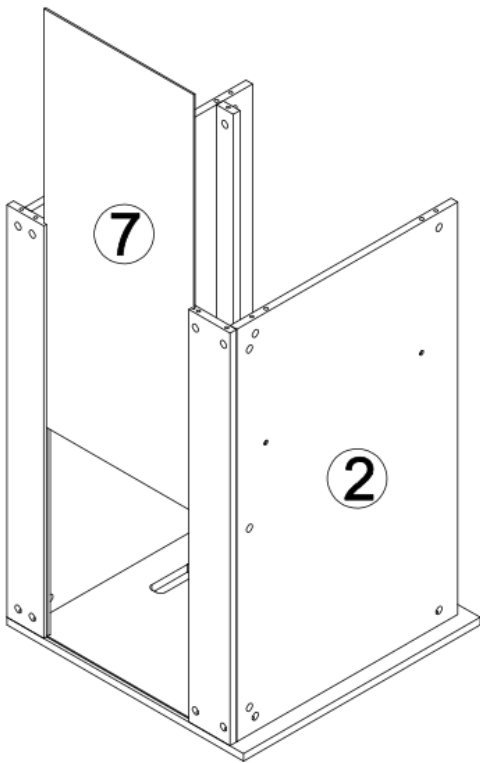
**Step 7**



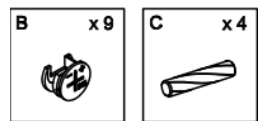
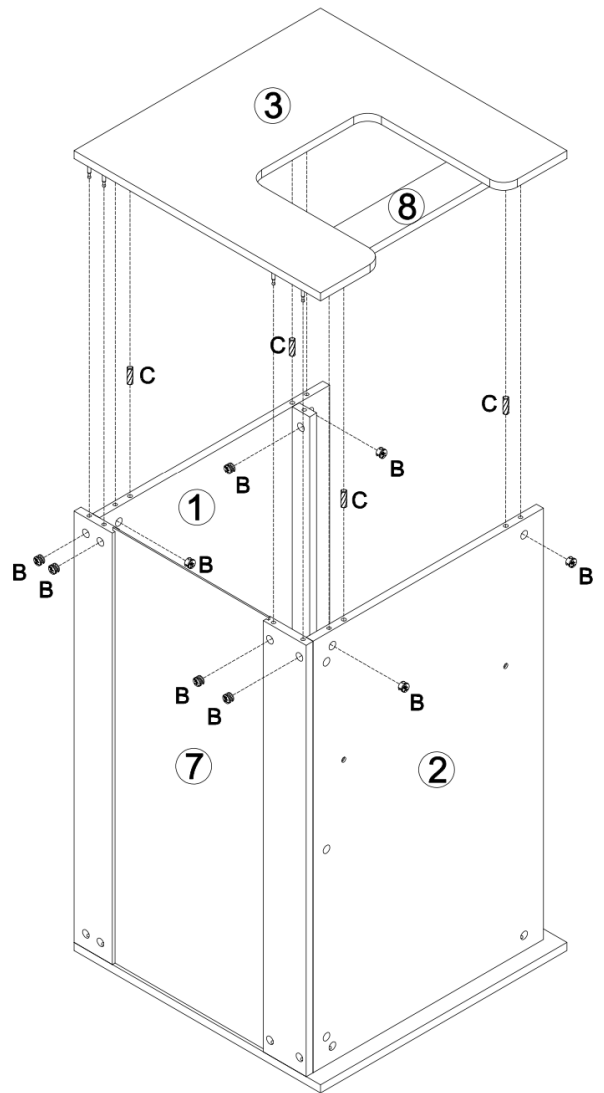
Step 8



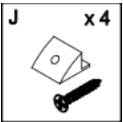
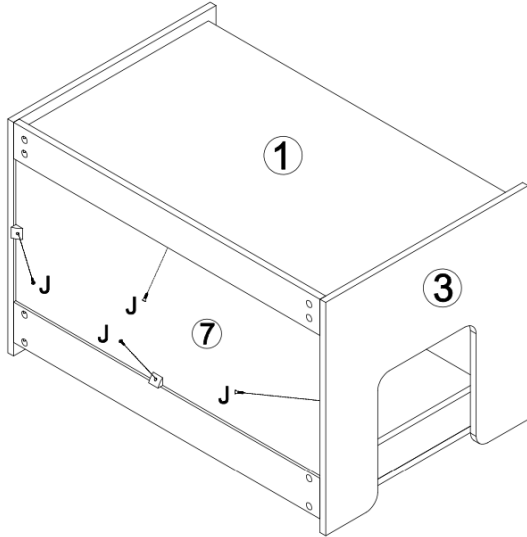
Step 9



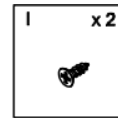
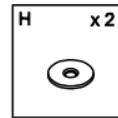
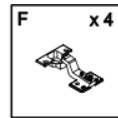
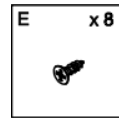
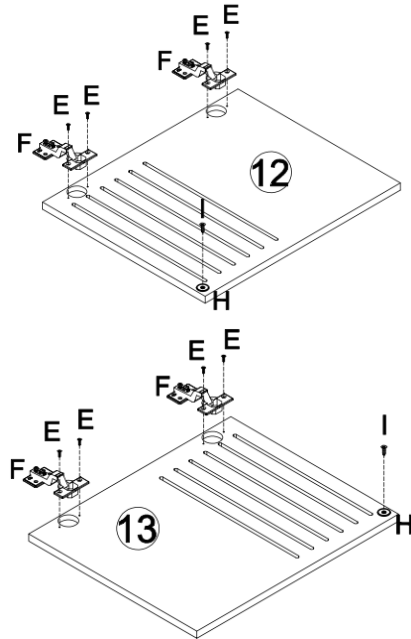
Step 10



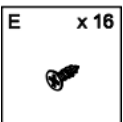
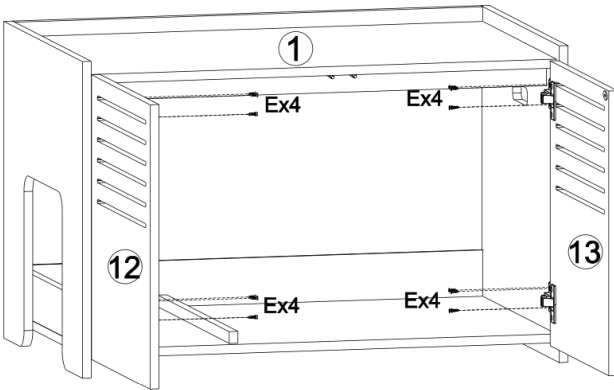
### Step 11



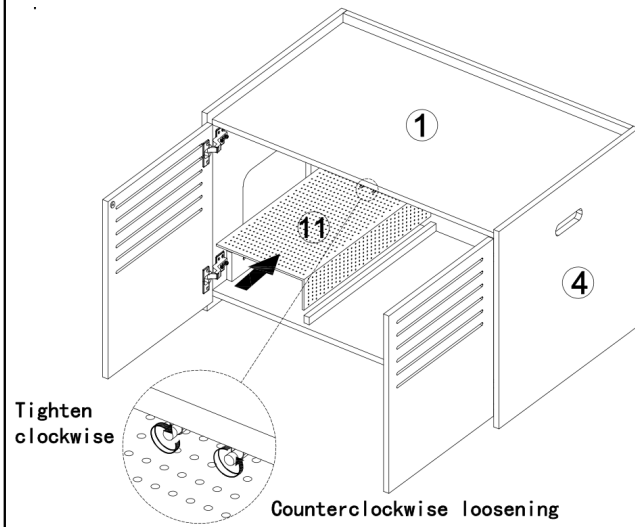
### Step 12



### Step 13



### Step 14



Tighten clockwise

Counterclockwise loosening

# Assembly Guidelines & Precautions

## Guidelines

- Read and follow the instructions carefully during assembly and use.
- Keep this manual for future reference or contact after-sales for support.
- If any parts are missing or defective upon unpacking, stop assembly and contact us for replacements.

## Precautions

- For indoor use only. Follow the manual for correct assembly and use. Any modifications may result in injury or damage. The seller is not responsible for misuse or improper assembly.
- Keep the product away from fire, heat, and direct sunlight. Avoid placing hot objects on it.
- Assemble on a spacious surface. Do not place parts directly on the ground to avoid damage.
- Do not stand or sit on any part of the furniture.
- Wear gloves during assembly to avoid injury from sharp edges.
- Match parts by their numbers in the manual. Loosely align all screws before tightening them.
- Regularly check screw tightness and re-tighten if needed to ensure stability.
- Keep the product away from sharp objects and corrosive substances to prevent damage.

## Warning

- Children should not assemble this product. Keep small parts and packaging out of children's reach to avoid choking or suffocation risks.
- In case of accidental spills, turn off any connected power immediately.