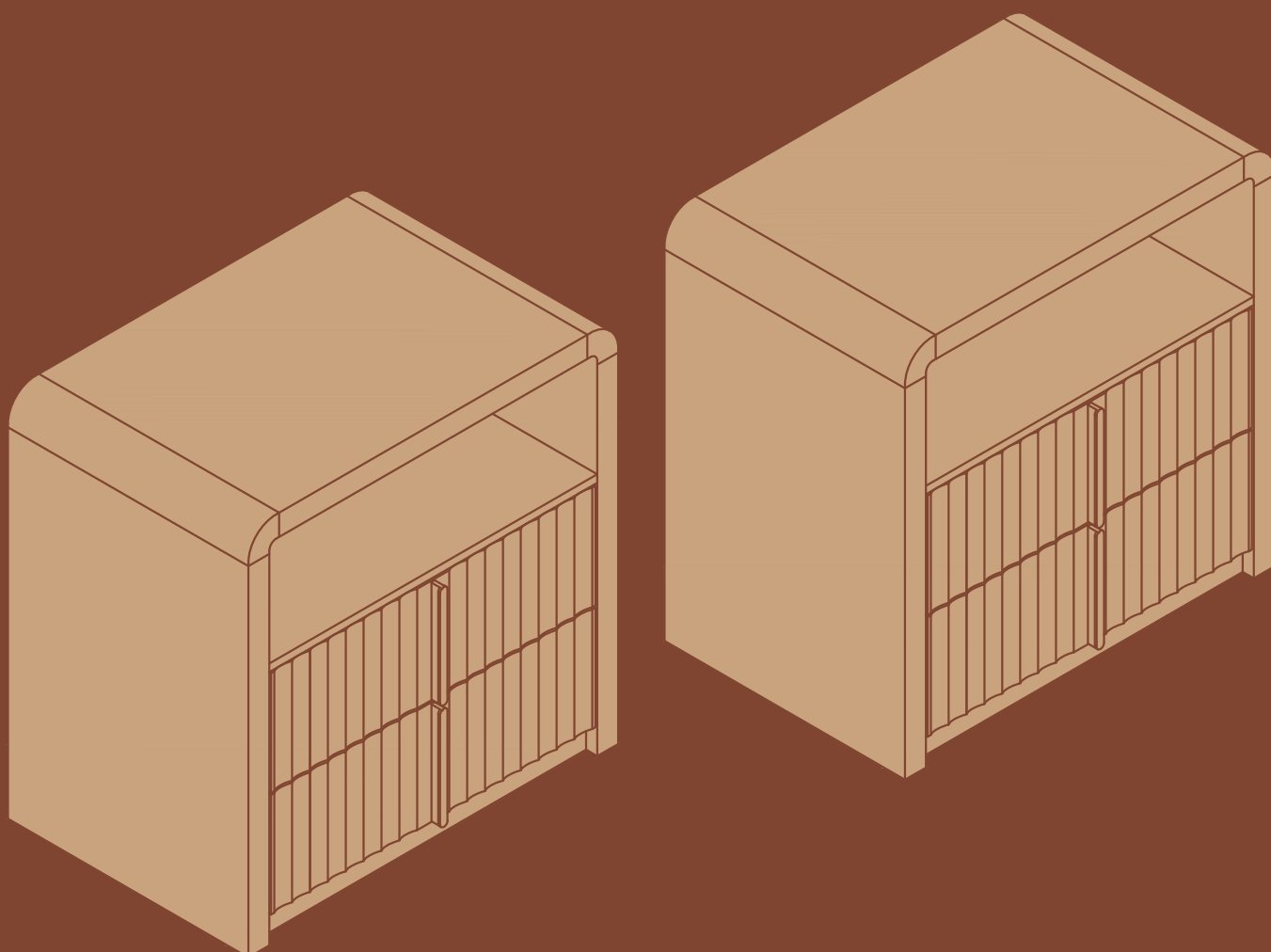


ASSEMBLY INSTRUCTION



Nightstand

CATALOGUE

Precautions	01
Parts List	02
Hardware List	03
Tools List	04
Assembly Process	05-20

INTRODUCTION

Thank you for purchasing our products. Please read the instructions carefully before installation and keep it in a safe place for future reference. If you need any assistance or support, please feel free to contact our customer support team.

PRECAUTIONS

This package contains numerous components and hardware pieces. Please identify and verify all parts against the parts list before you begin assembly.

WARNING: Choking Hazard. This product contains small items. Keep all parts and hardware out of the reach of children during assembly.

To prevent scratches, assemble the product on a soft, non-abrasive surface such as a carpet, blanket, or the flattened cardboard packaging.

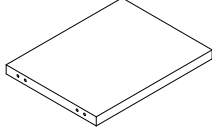
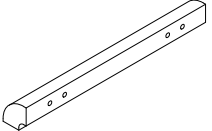
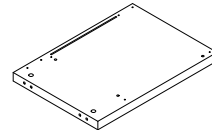
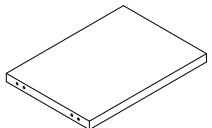
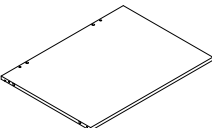
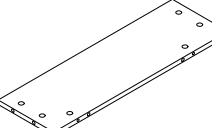
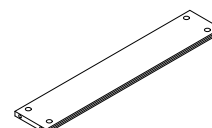
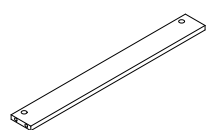
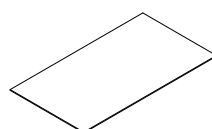
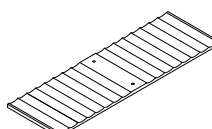
Some components are heavy. For safety, we recommend this product be assembled by two adults.

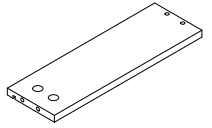
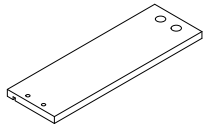
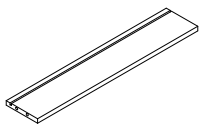
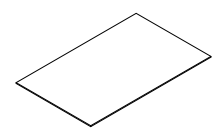
The unit may be unstable until assembly is fully complete. Do not move the product until all steps are finished.

If you encounter any issues or have questions, please contact our customer service team for assistance.

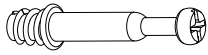



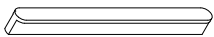
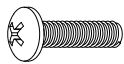


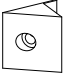

- * **Please be sure to follow the installation steps in the manual to avoid unnecessary losses caused by improper installation.**
- * **If you need further assistance, please contact the customer service online.**

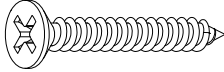

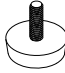
Parts List

ID	Parts	QTY
1		2
2		4
3		2
4		2
5		2
6		2
7		2
8		2
9		2
10		4

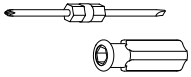
ID	Parts	QTY
11		4
12		4
13		4
14		4

Hardware List

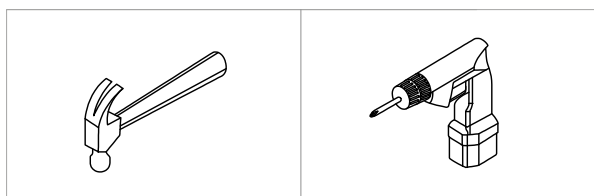
ID	Parts	QTY
A	 A long screw with a hexagonal head and a threaded shaft.	64+6
B	 A flat washer with a hexagonal hole in the center.	64+6
C	 A long, thin rod with a hexagonal cross-section. Ø6*30mm	40+4
D	 A screw with a hexagonal head and a pointed tip. Ø9.5*M5*50mm	4
E	 A long, thin metal bracket with a U-shaped end.	4
F	 A screw with a hexagonal head and a threaded shaft. M4*22mm	8
G	 A set of four screws with hexagonal heads and threaded shafts.	4
H	 A screw with a hexagonal head and a threaded shaft. Ø3.5*12mm	48+4
I	 A small metal bracket with a circular hole.	8
J	 A screw with a hexagonal head and a threaded shaft. Ø3*15mm	8

ID	Parts	QTY
K	 A screw with a hexagonal head and a threaded shaft. Ø4*38mm	16+1
L	 A flat washer with a circular hole in the center.	64+6
M	 A small metal bracket with a circular hole. M6	8

Tool List

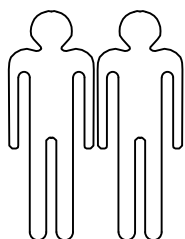
ID	Parts	QTY
Z1		1

Required Tools (Not Included)

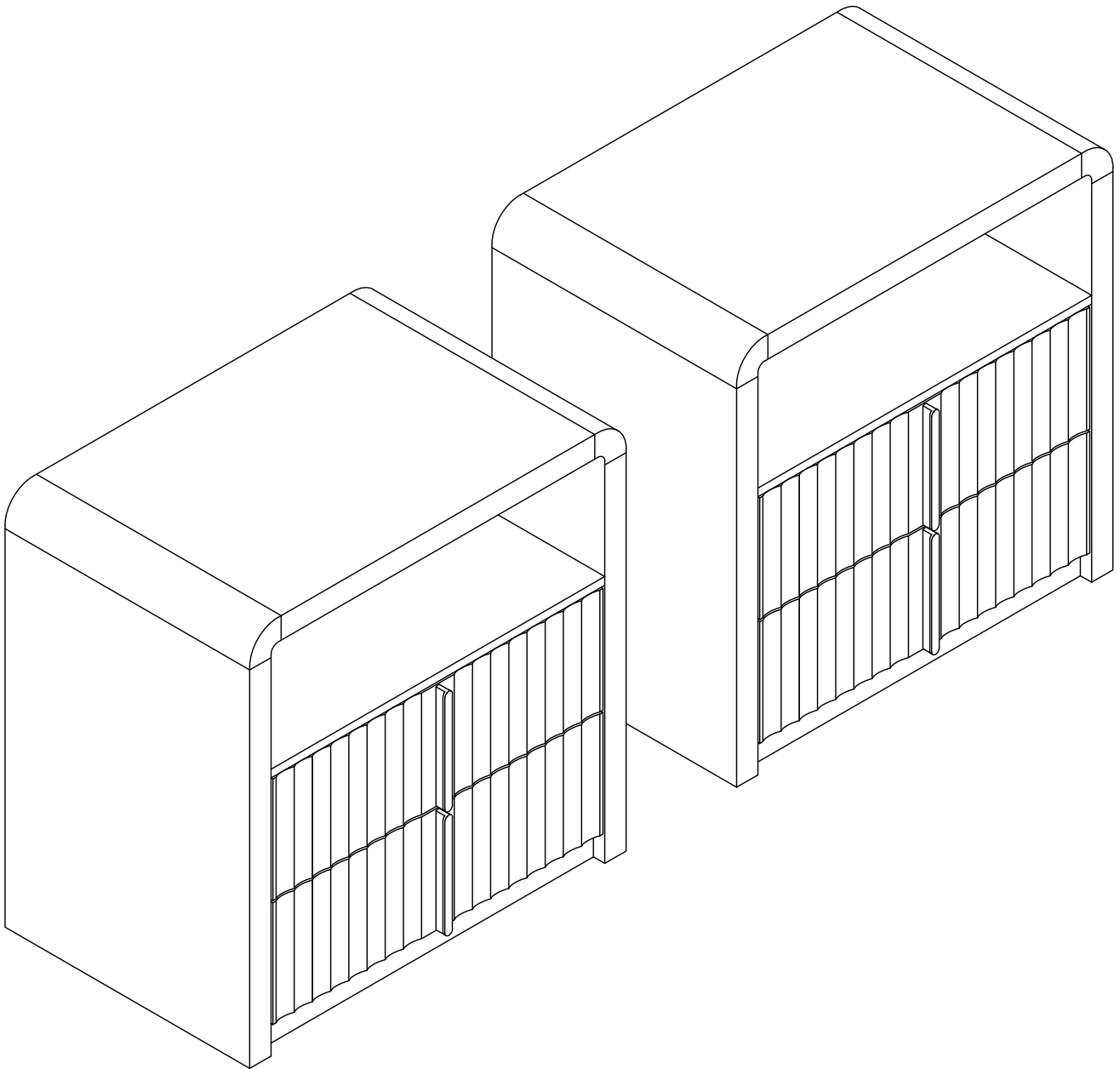


Wall mounting only

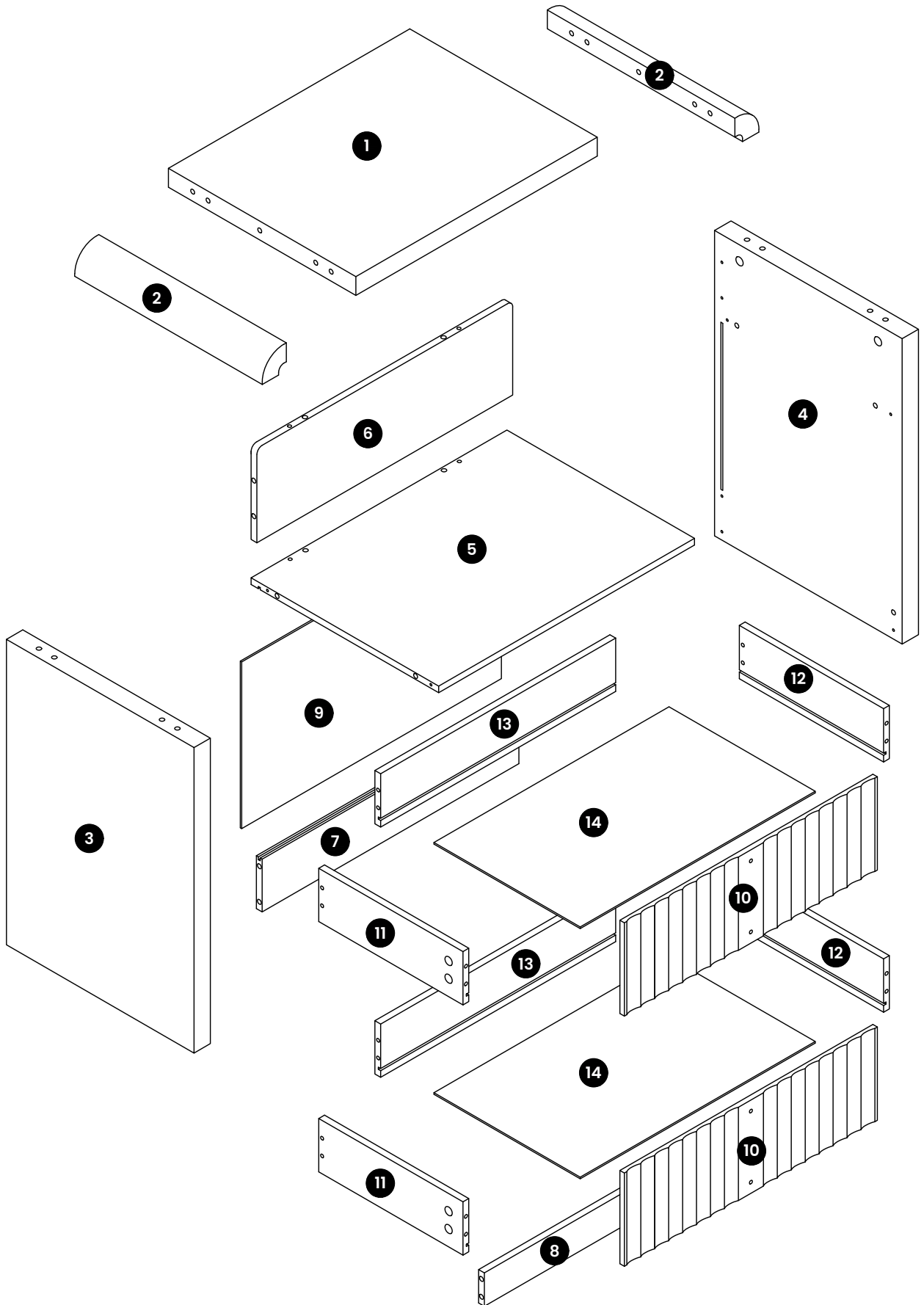
These tools are not required for product assembly.






Multi-person installation

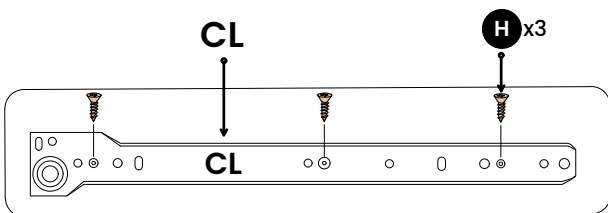
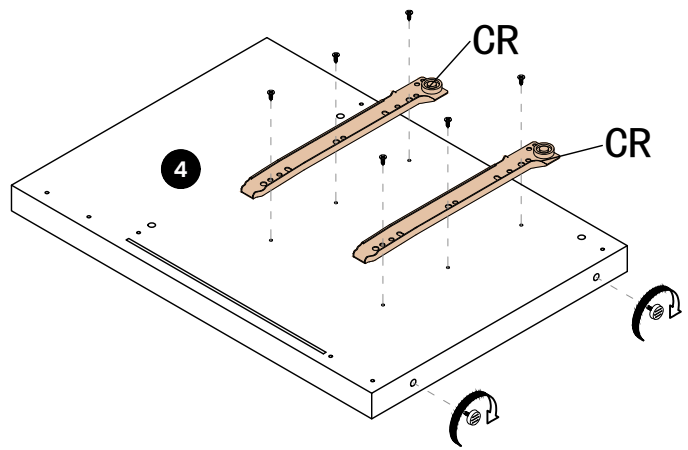
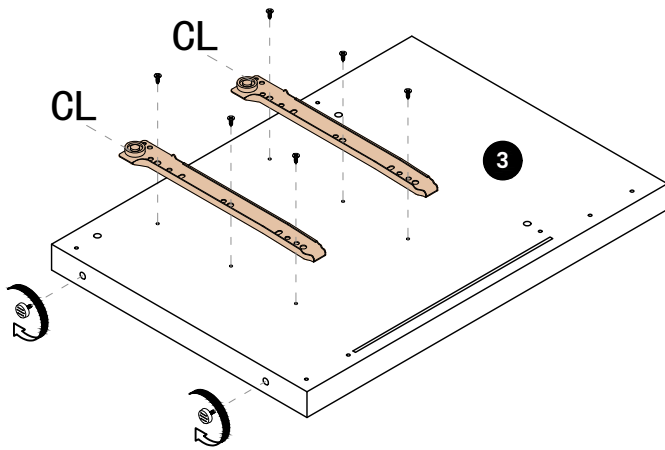


Note: Assembly steps are identical for both units included in this package.

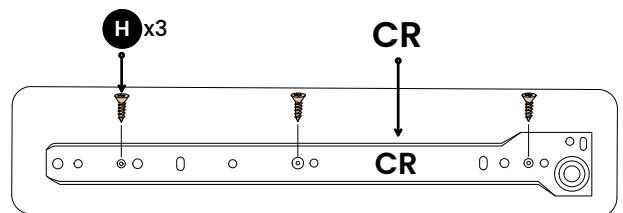


STEP 1

-  **G** X2
-  **H** X12
-  **M** X4

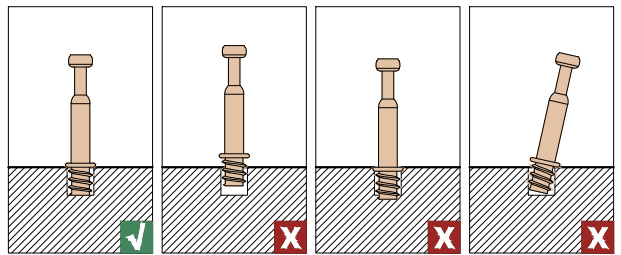
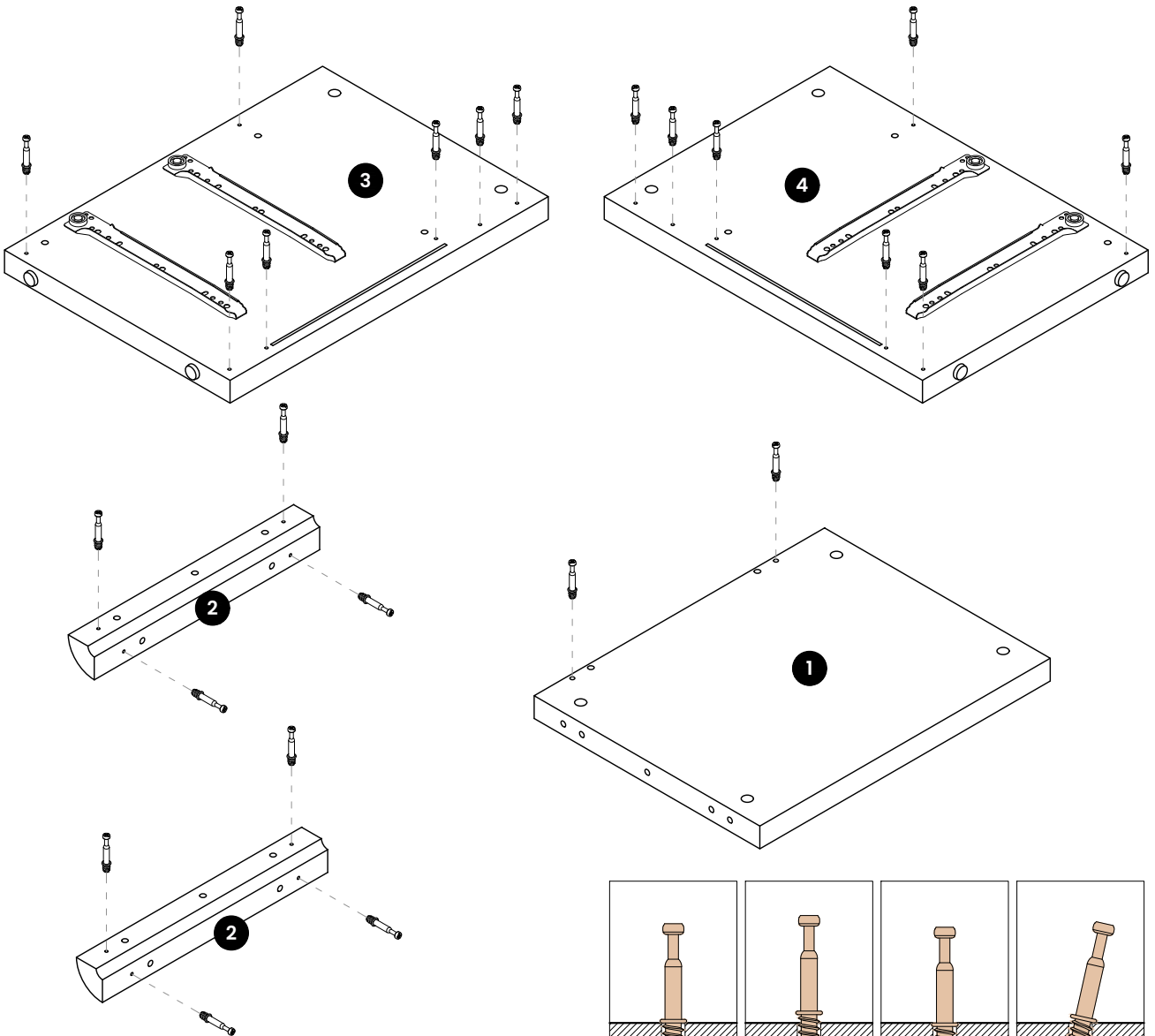


! Pay attention to the position of the screws



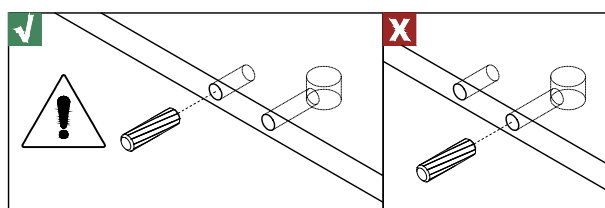
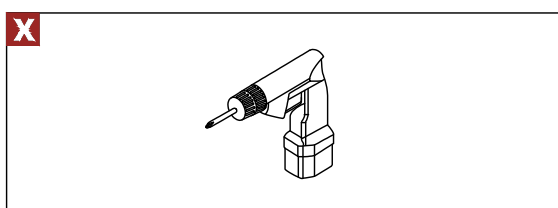
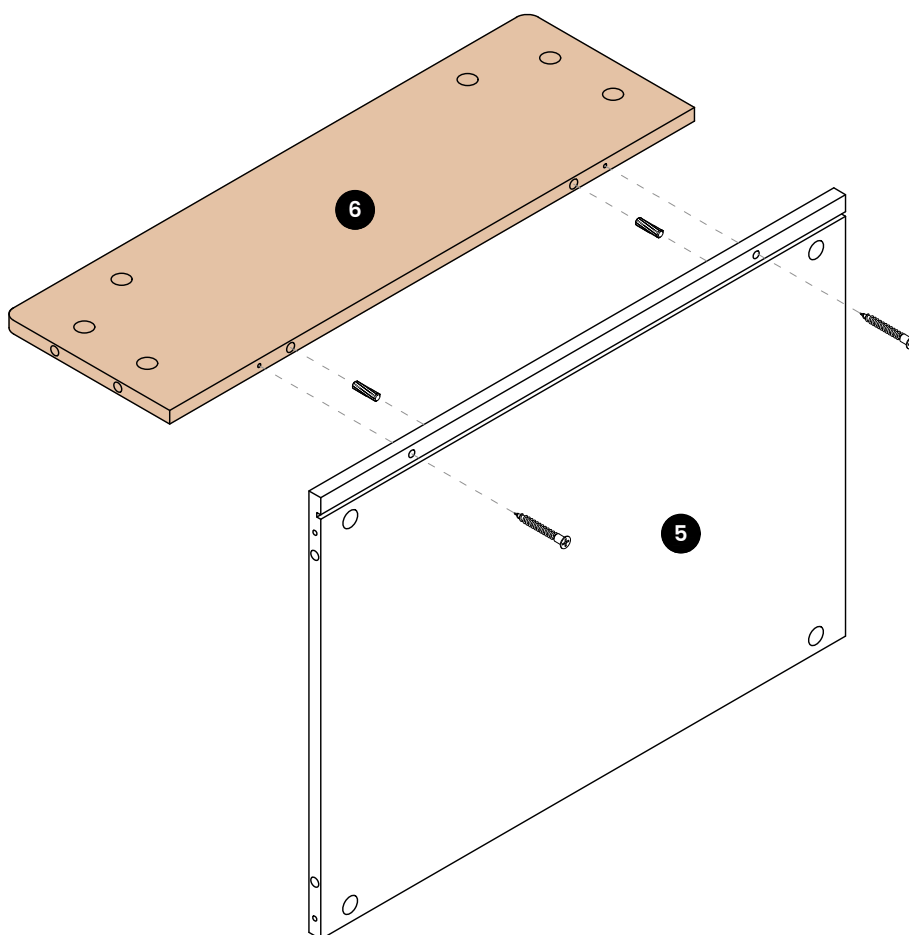
! Pay attention to the position of the screws

STEP 2



Install the screw correctly to secure the screw.

STEP 3



 Do not use this tool for installation.

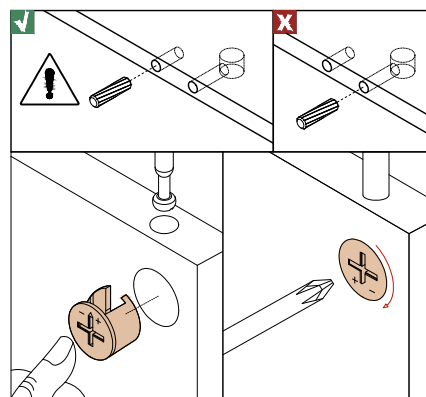
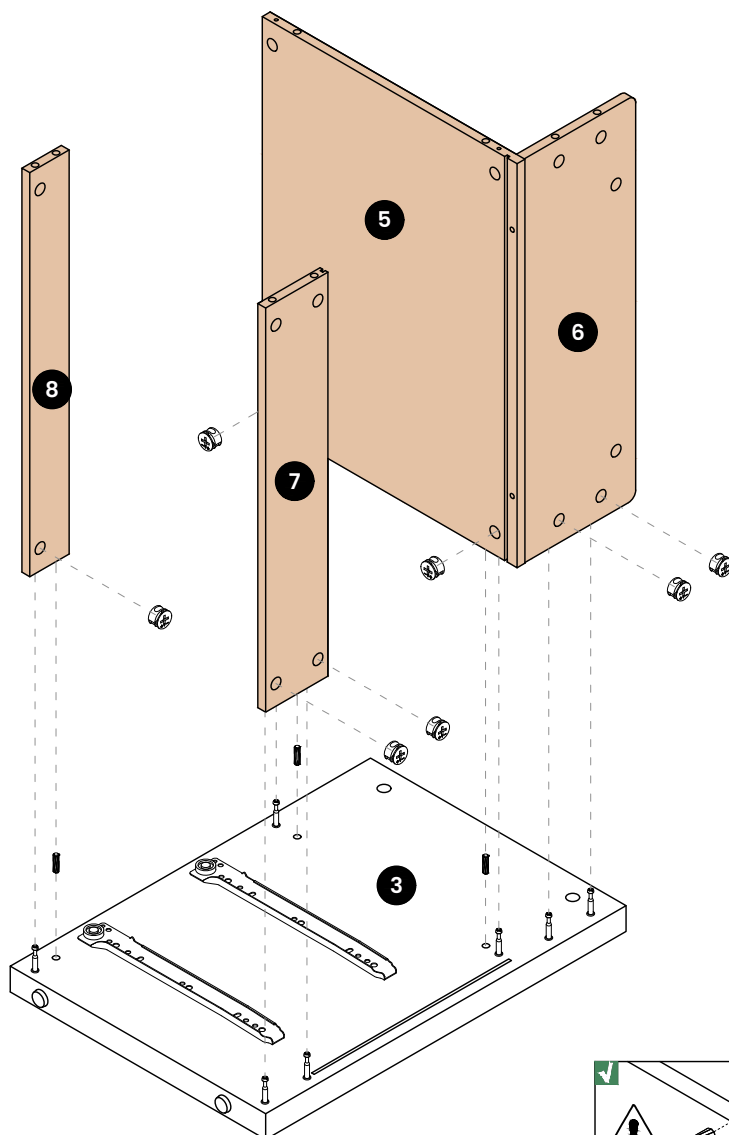
STEP 4



B X7



C X3



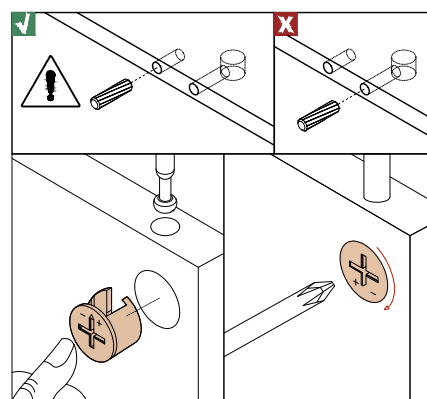
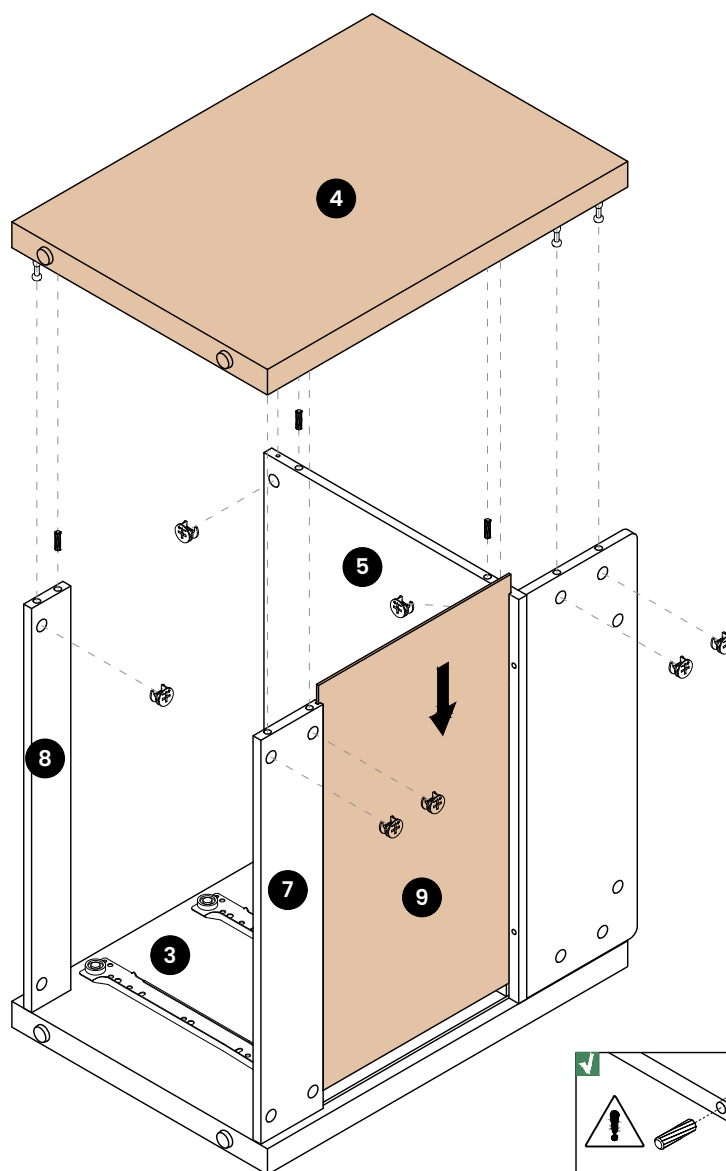
STEP 5



B X7



C X3



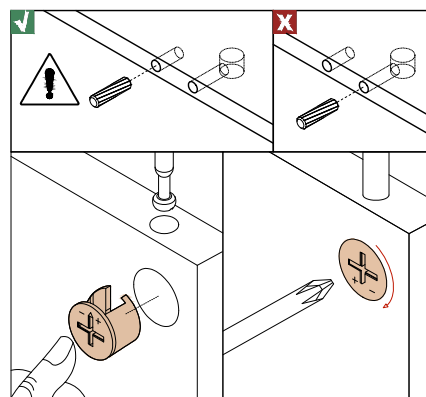
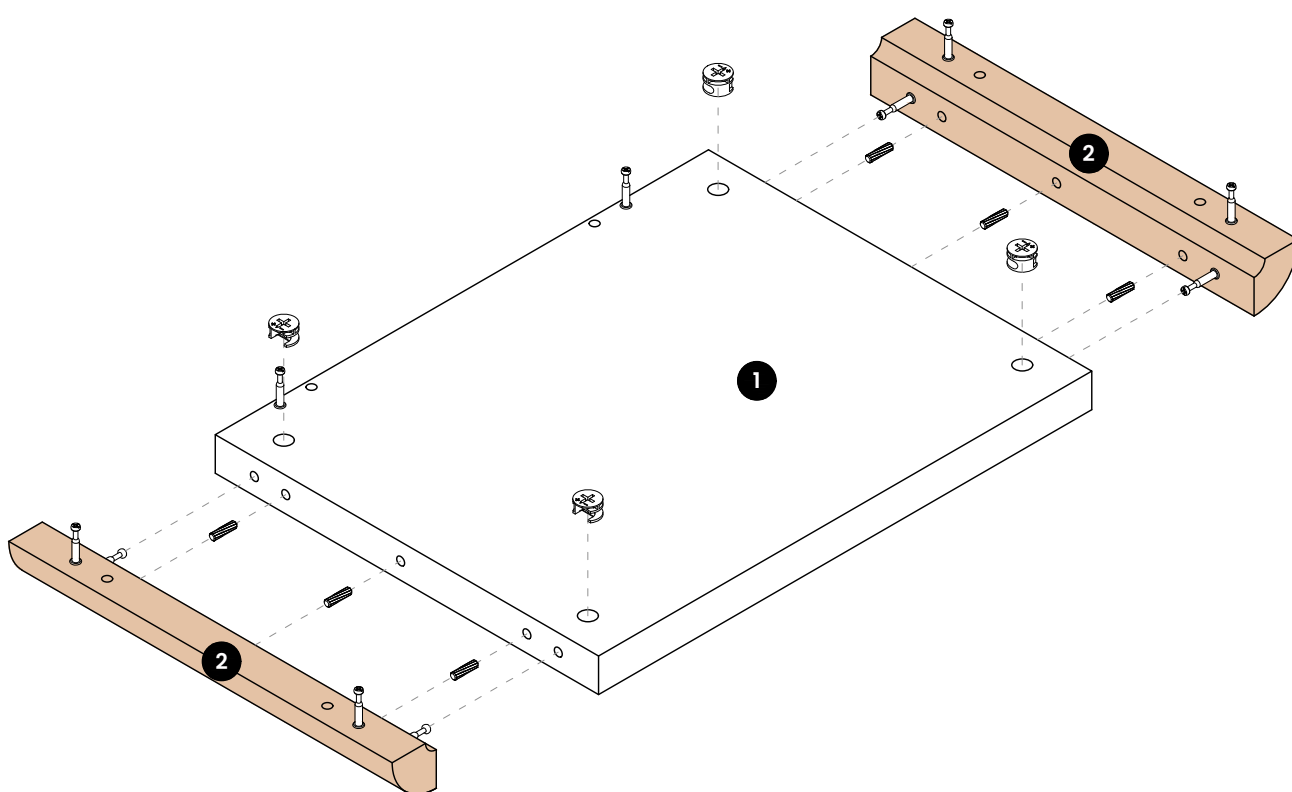
STEP 6



B X4



C X6



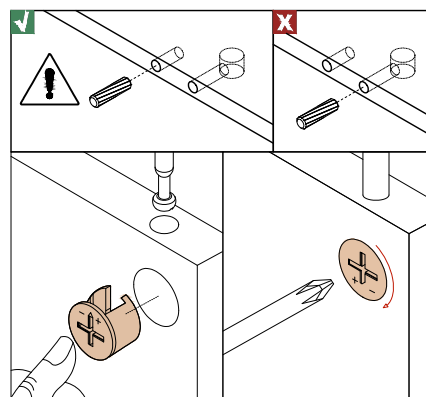
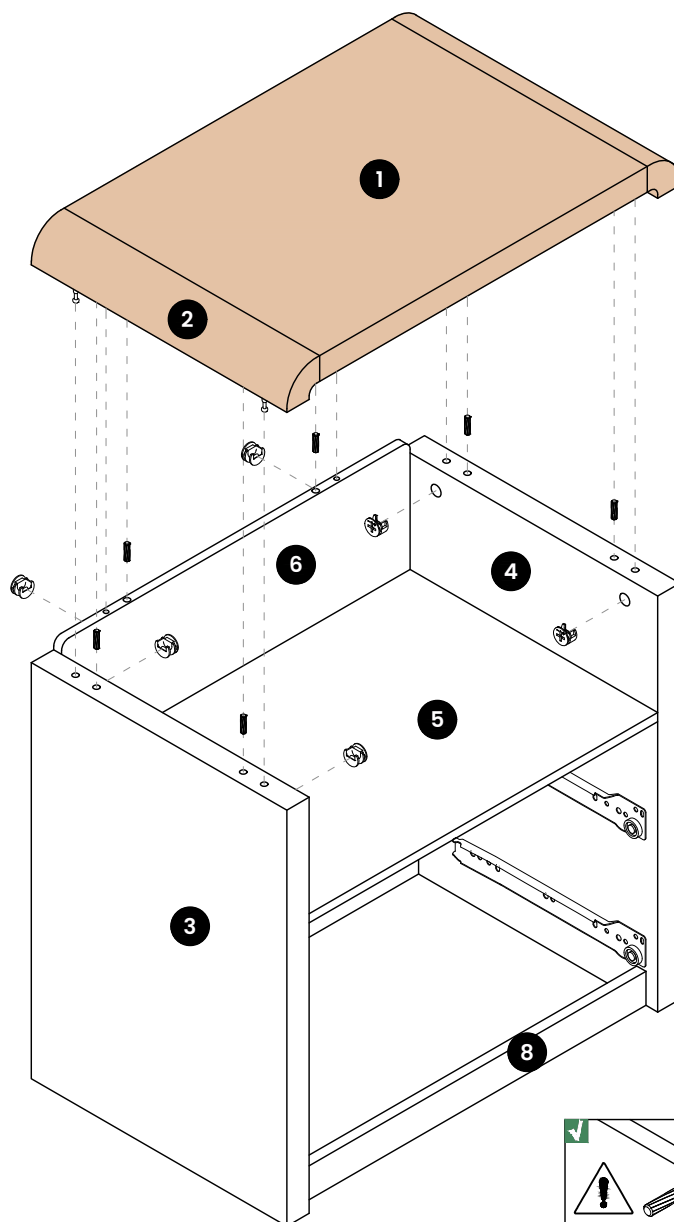
STEP 7

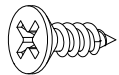
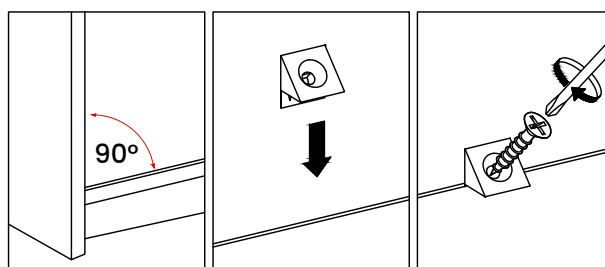
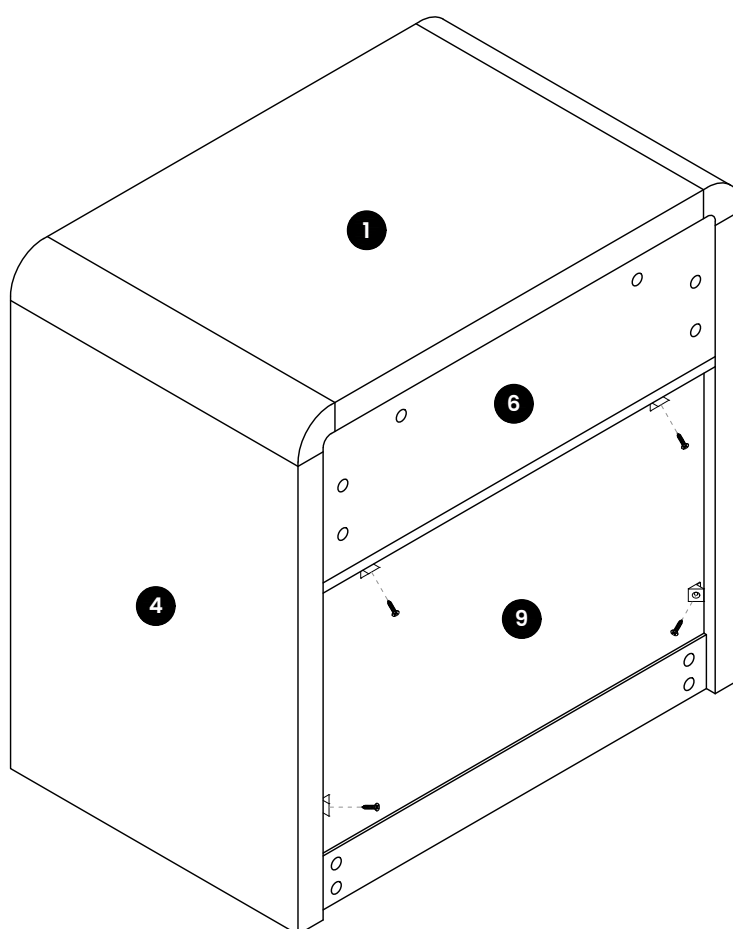


B X6

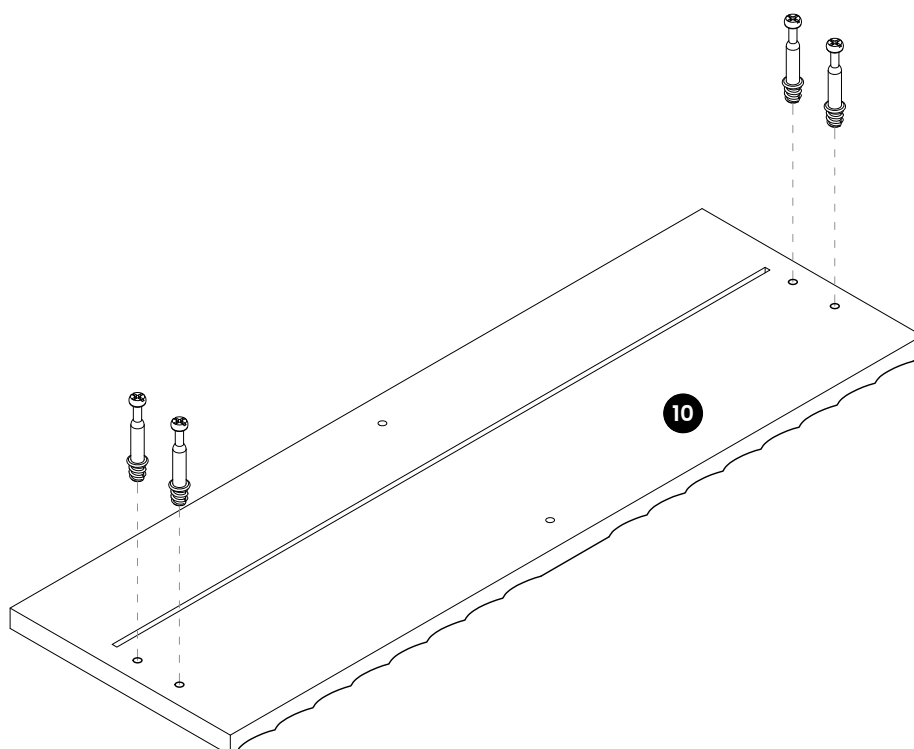


C X6

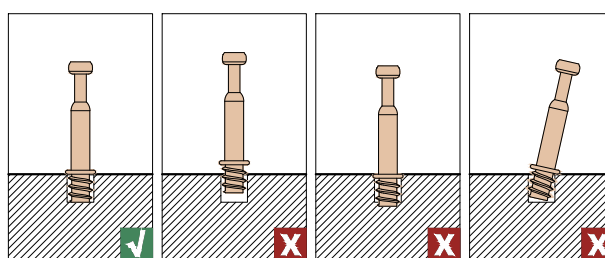


STEP 8**I** X4**J** X4

STEP 9

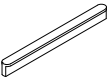
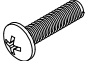


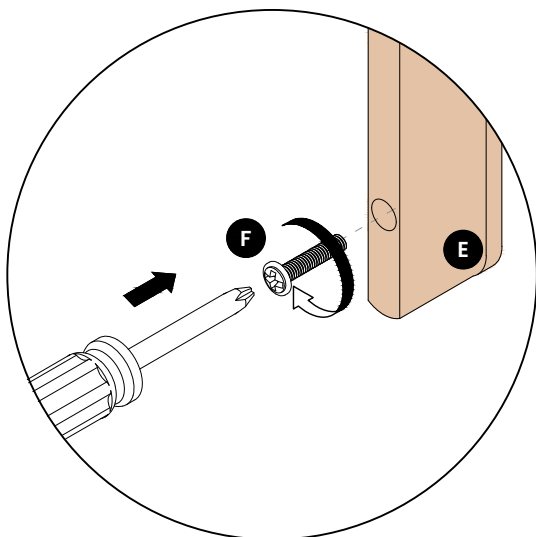
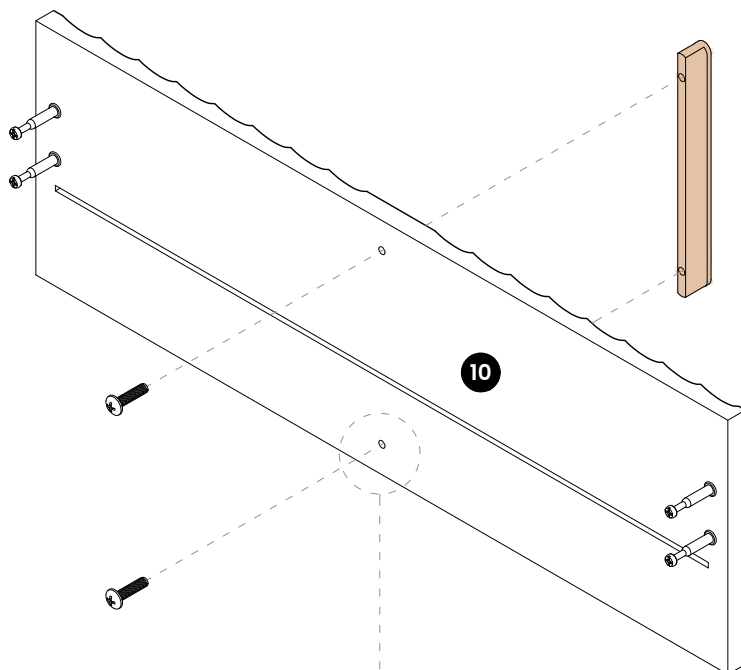
x2



Install the screw correctly to secure the screw.

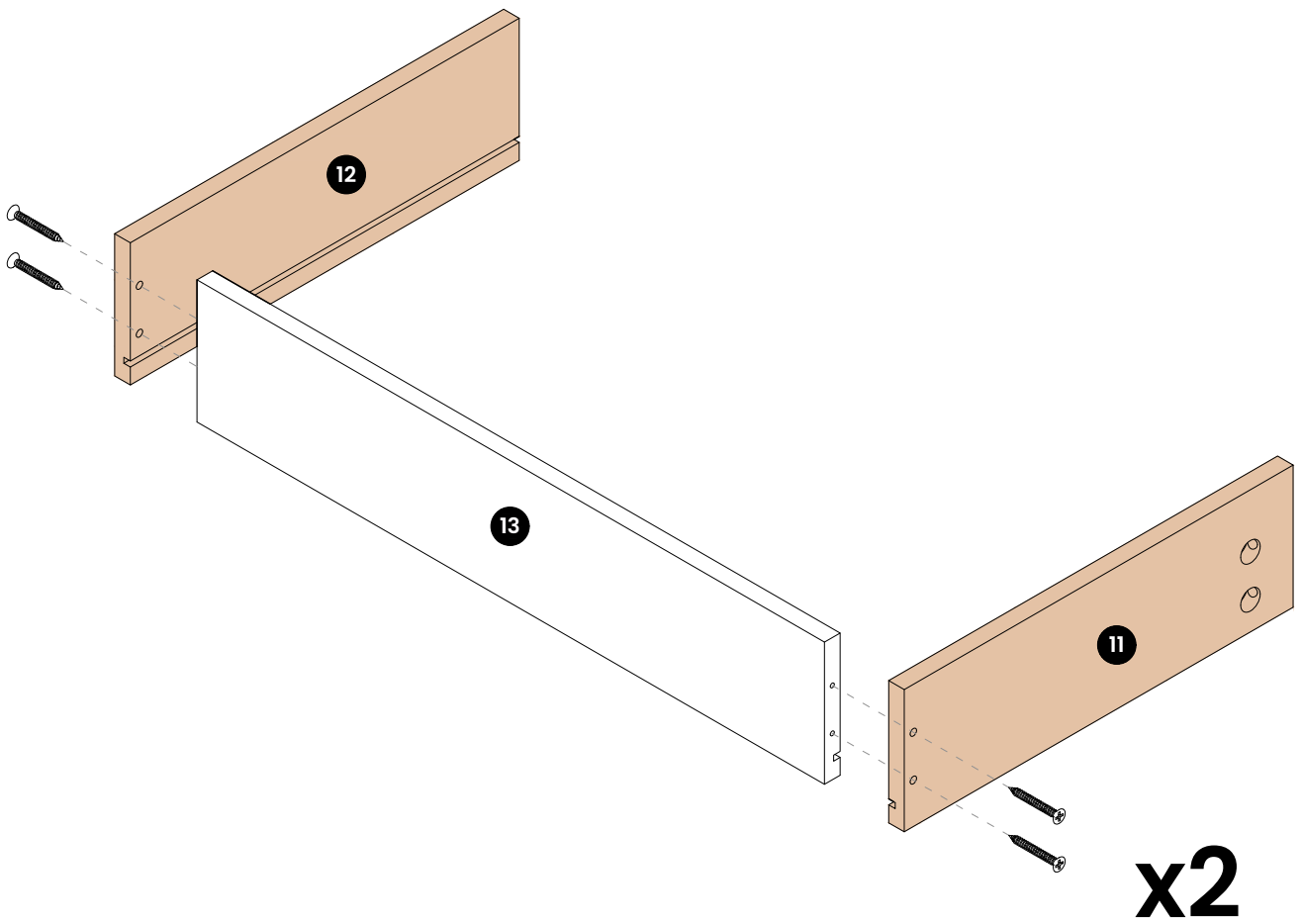
STEP 10

-  **E** X2
-  **F** X4



x2

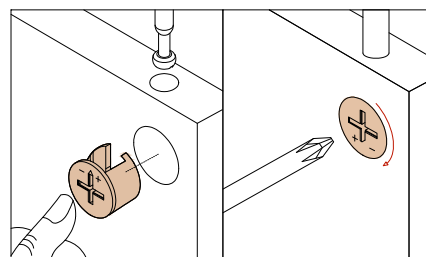
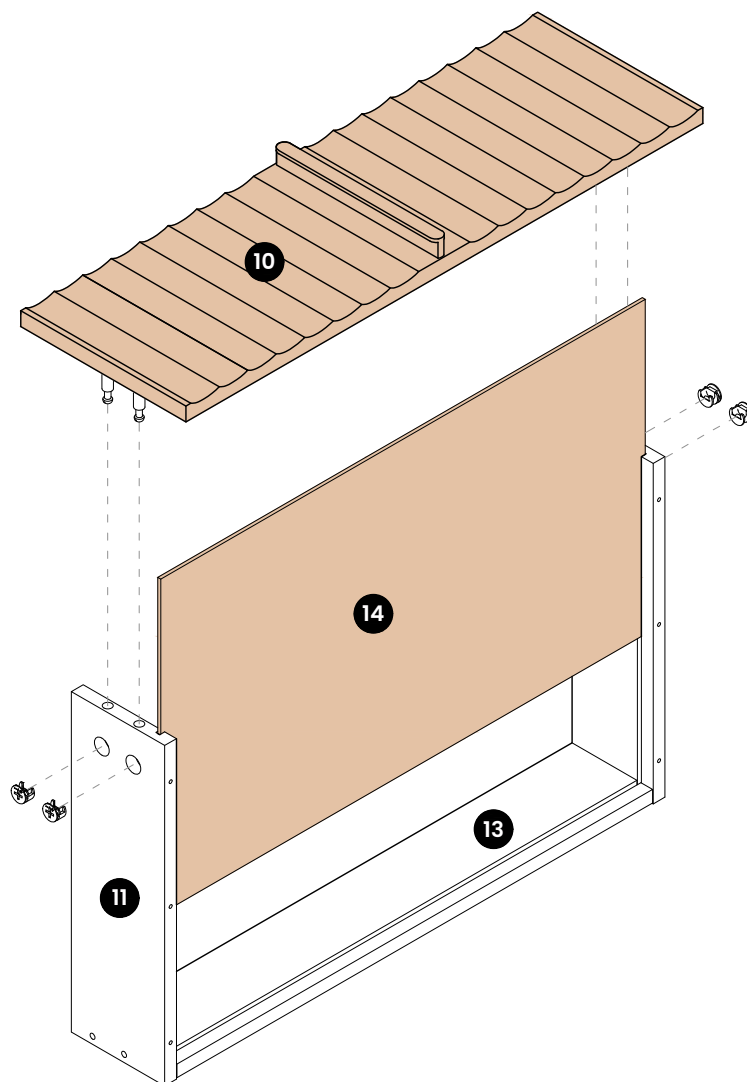
STEP 11



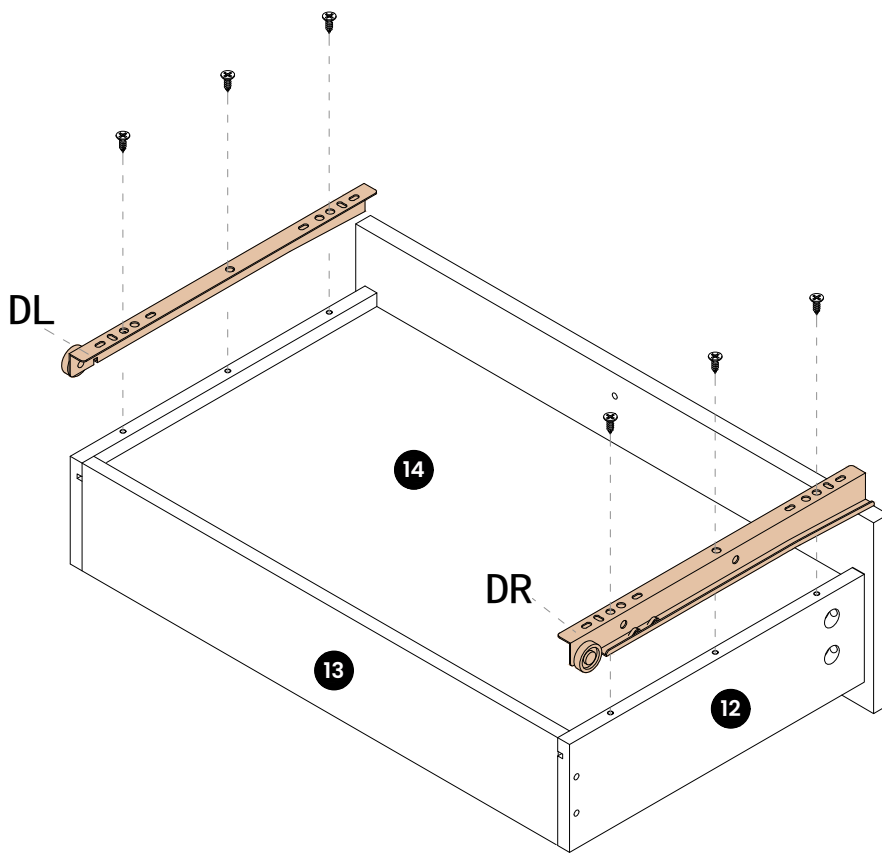
STEP 12



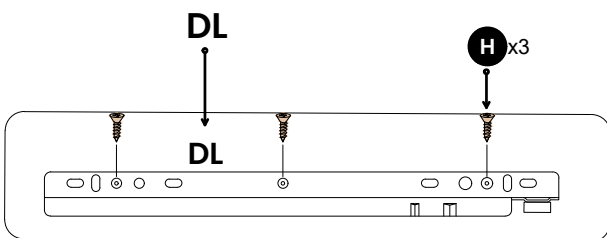
B X8



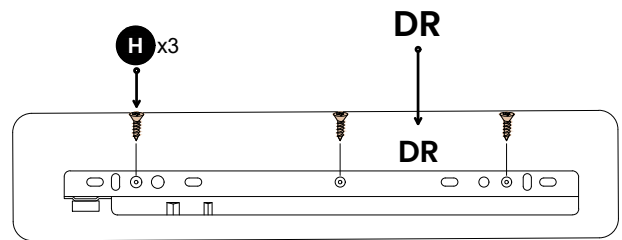
STEP 13



x2



! Pay attention to the position of the screws

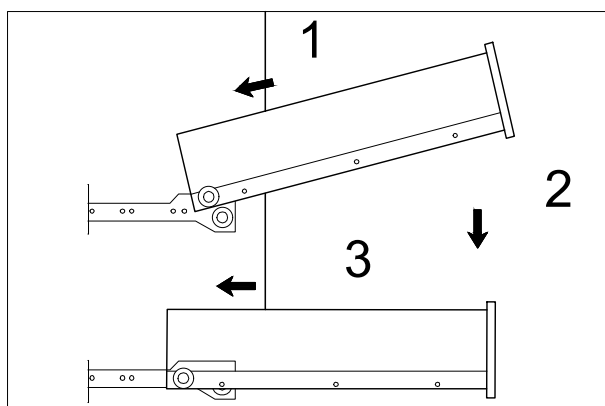
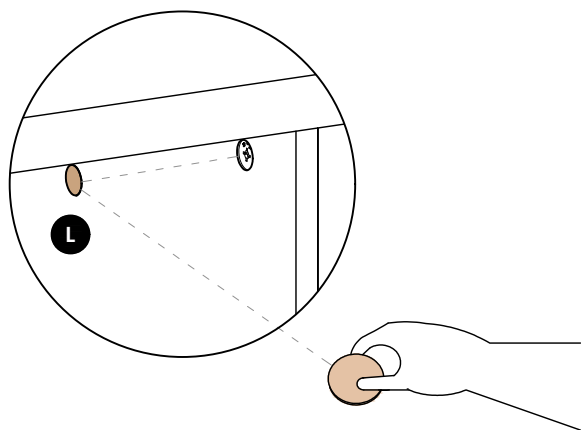
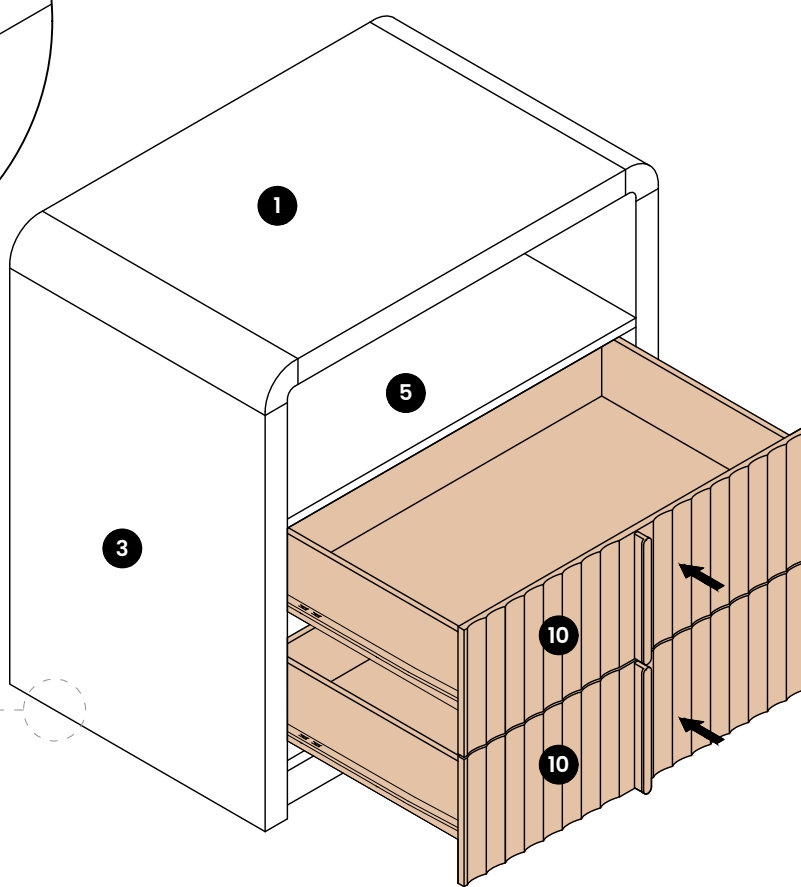
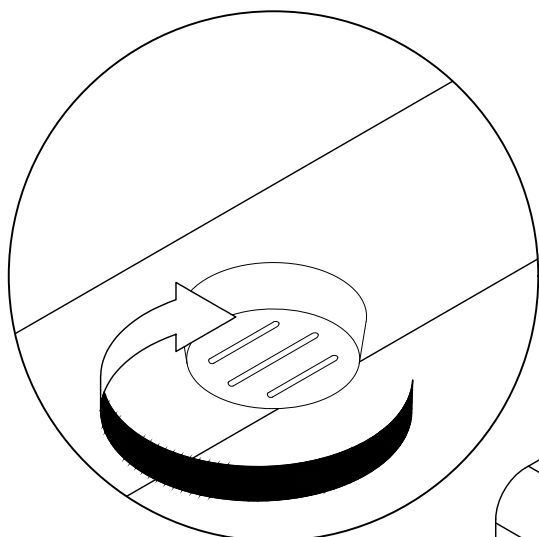


! Pay attention to the position of the screws

STEP 14



L X32





After-Sales Service Hotline: (800) 661-5928