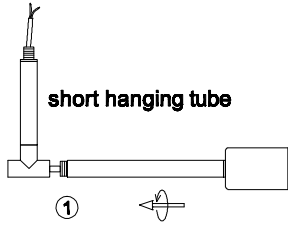
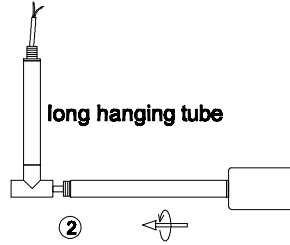


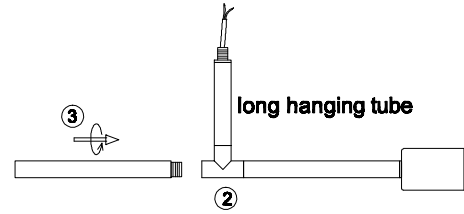
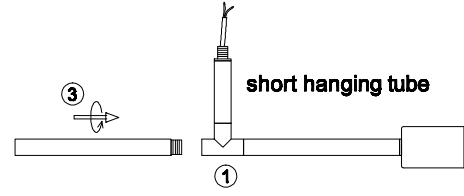
Do not pull out the wire!!!!



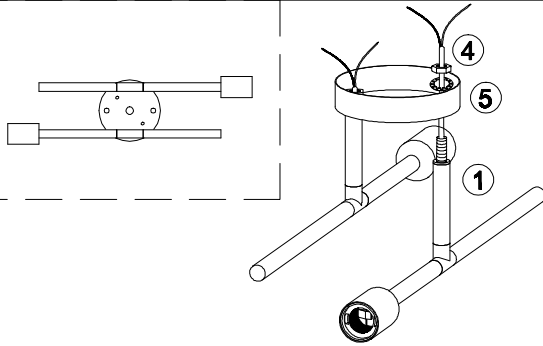
Do not pull out the wire!!!!



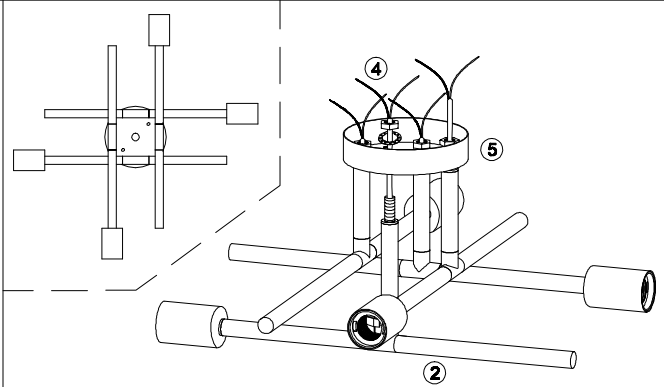
1. Rotate to install the light arm ① & ② to the hanging tube.



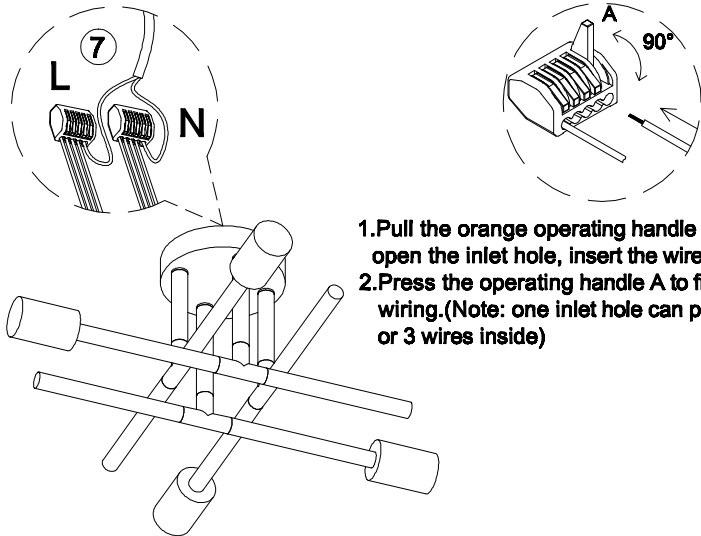
2. Rotate to install the tube ③ to the light arm.



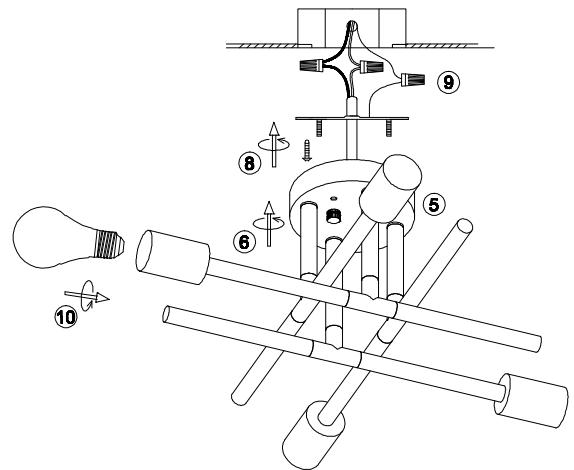
3. Let the wire of light arms ① go through the canopy ⑤, fixed arm ① to the canopy ⑤ with lock nut & teeth lock washer ④.



4. Let the wire of light arms ② go through the canopy ⑤, fixed arm ② to the canopy ⑤ with lock nut & teeth lock washer ④.



5. Connect all the wires by parallel with connectors ⑦ (all live line-L use one connector, and neutral Line-N use another connector).



6. Install the bracket to the ceiling junction box with screw ⑧.
7. Connect the wire to your homeline with cap connector ⑨.
8. Install the light fixture to the bracket with cap nuts ⑥.
9. Install the bulbs ⑩.

Please read carefully before installation!!!

Note : Please make sure that the electricity is powered off during installation !

Only a professional electrician should install this kind of product !