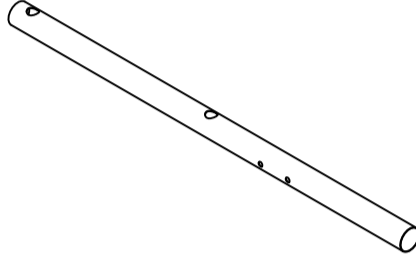
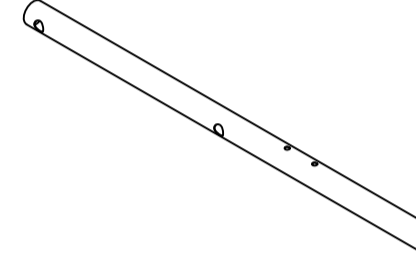
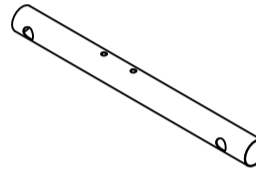
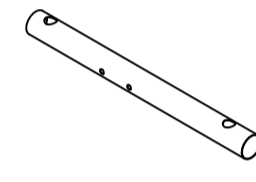
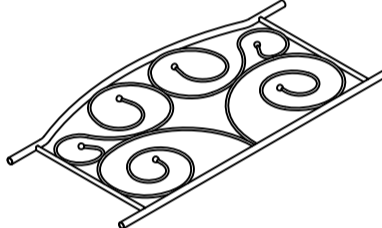
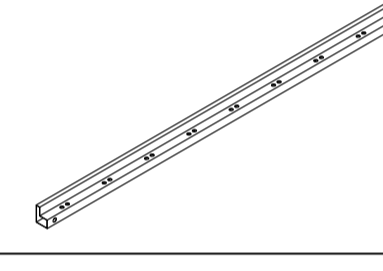
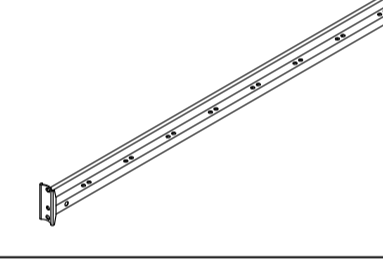
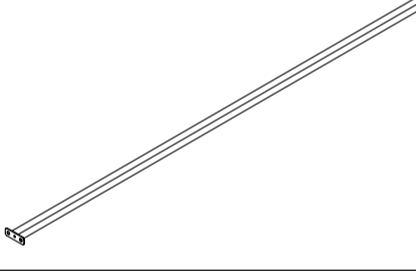
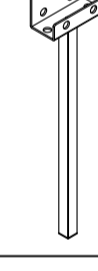
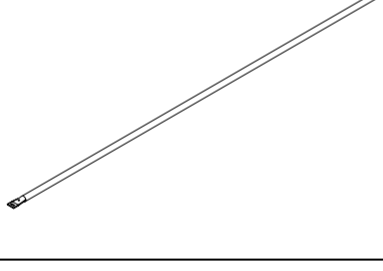
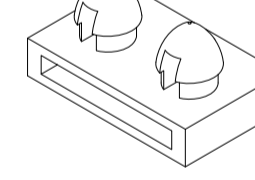

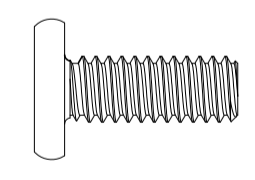
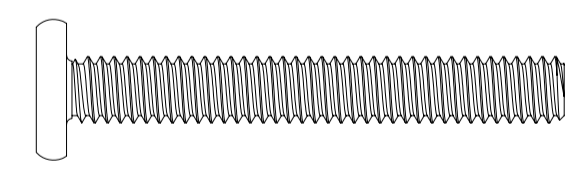
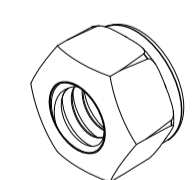

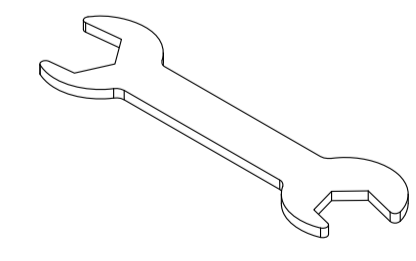


www.homesourceind.com
service@homesourceind.com

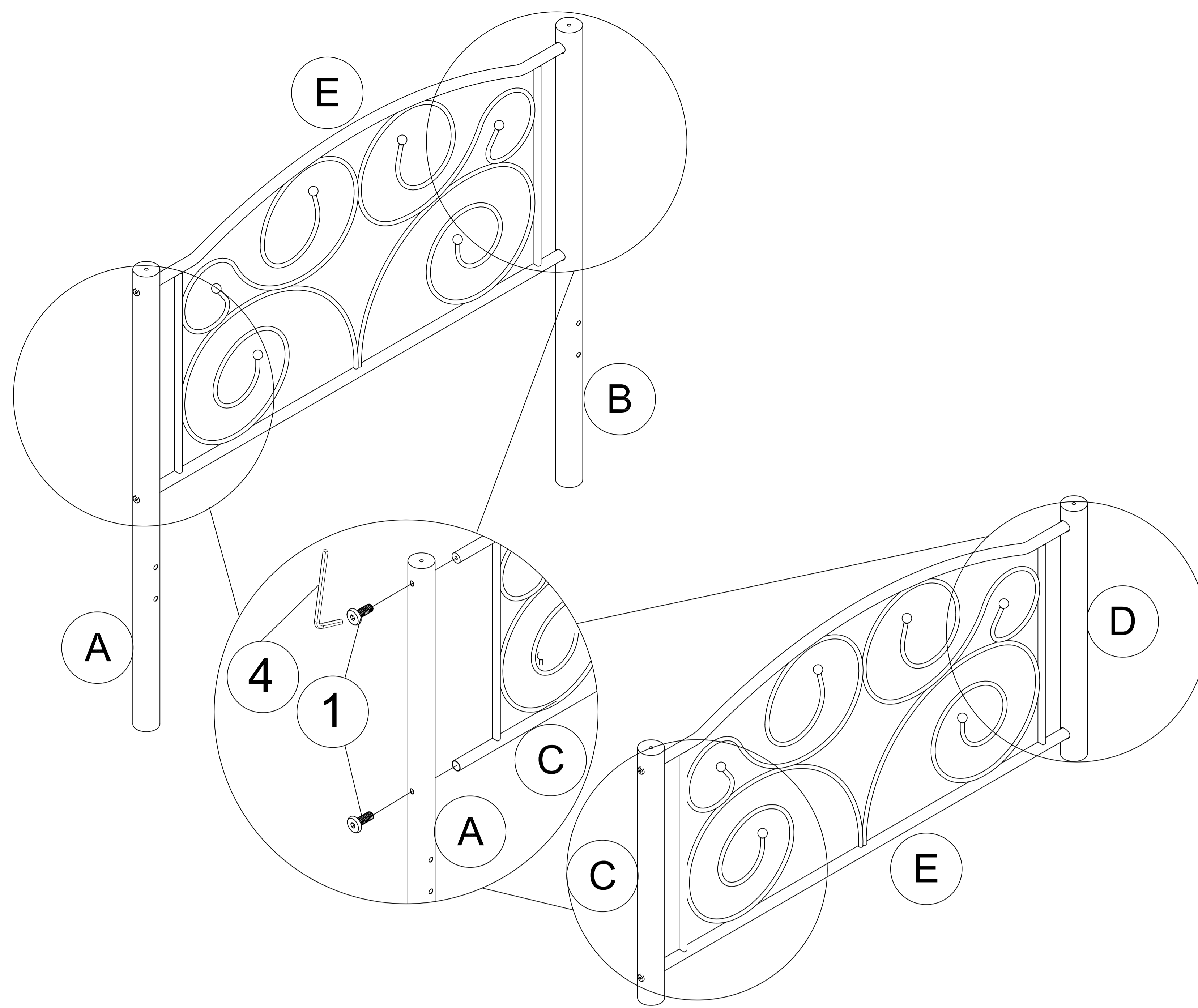
PARTS&HARDWARE LIST

A		HEADBOARD LEG	1PC
B		HEADBOARD LEG	1PC
C		FOOTBOARD LEG	1PC
D		FOOTBOARD LEG	1PC
E		HEADBOARD / FOOTBOARD	2PCS
F		RAIL SECTION	2PCS
G		RAIL SECTION	2PCS
H		CENTER SUPPORT BAR	1PC
I		RAIL SUPPORT LEGS	2PCS
J		SLAT	16PCS
K		SLAT CAP	32PCS
L		BALL	4PCS
1		BOLT 1/4" X 16MM	20PCS
2		BOLT 1/4" X 46MM	4PCS
3		NUT 1/4"	4PCS
4		L-ALLEN-KEY M4	1PC
5		WRENCH	1PC

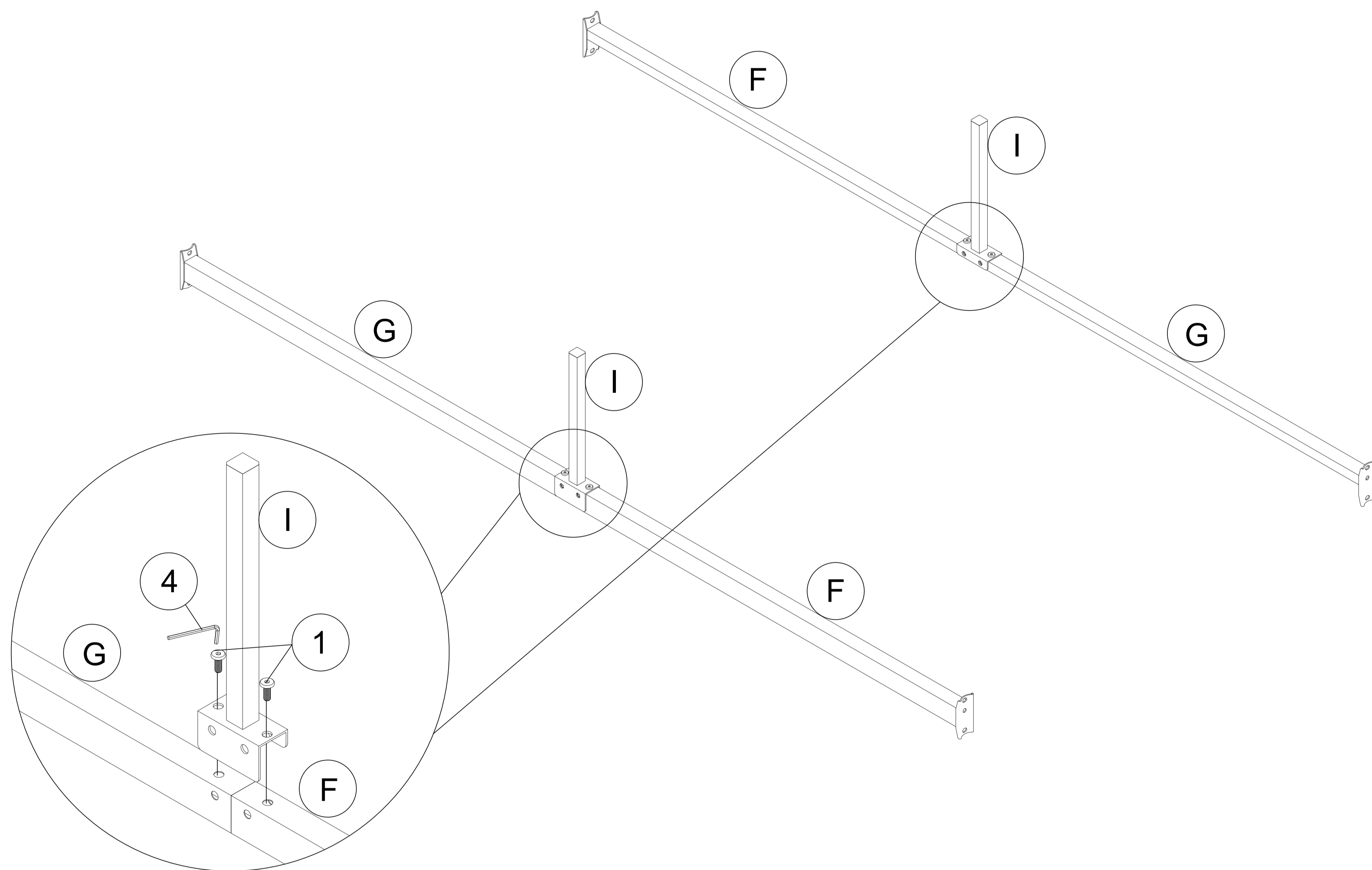


IMPORTANT NOTE:PLEASE NOT TIGHTEN ANY BOLTS UNTIL ALL OF THEM ARE PUT IN PLACES THEN TIGHTEN THE BOLTS.

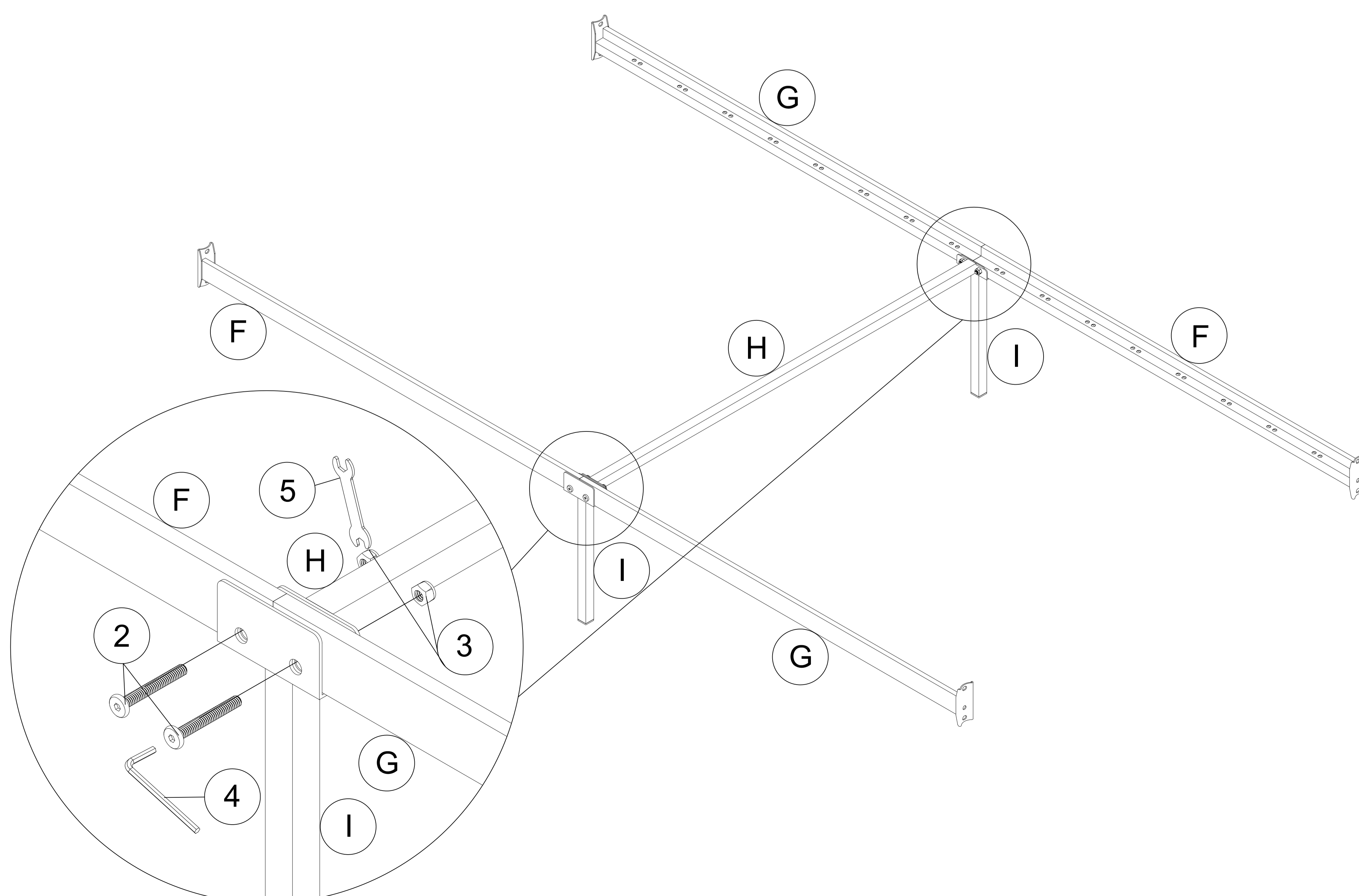
STEP 1



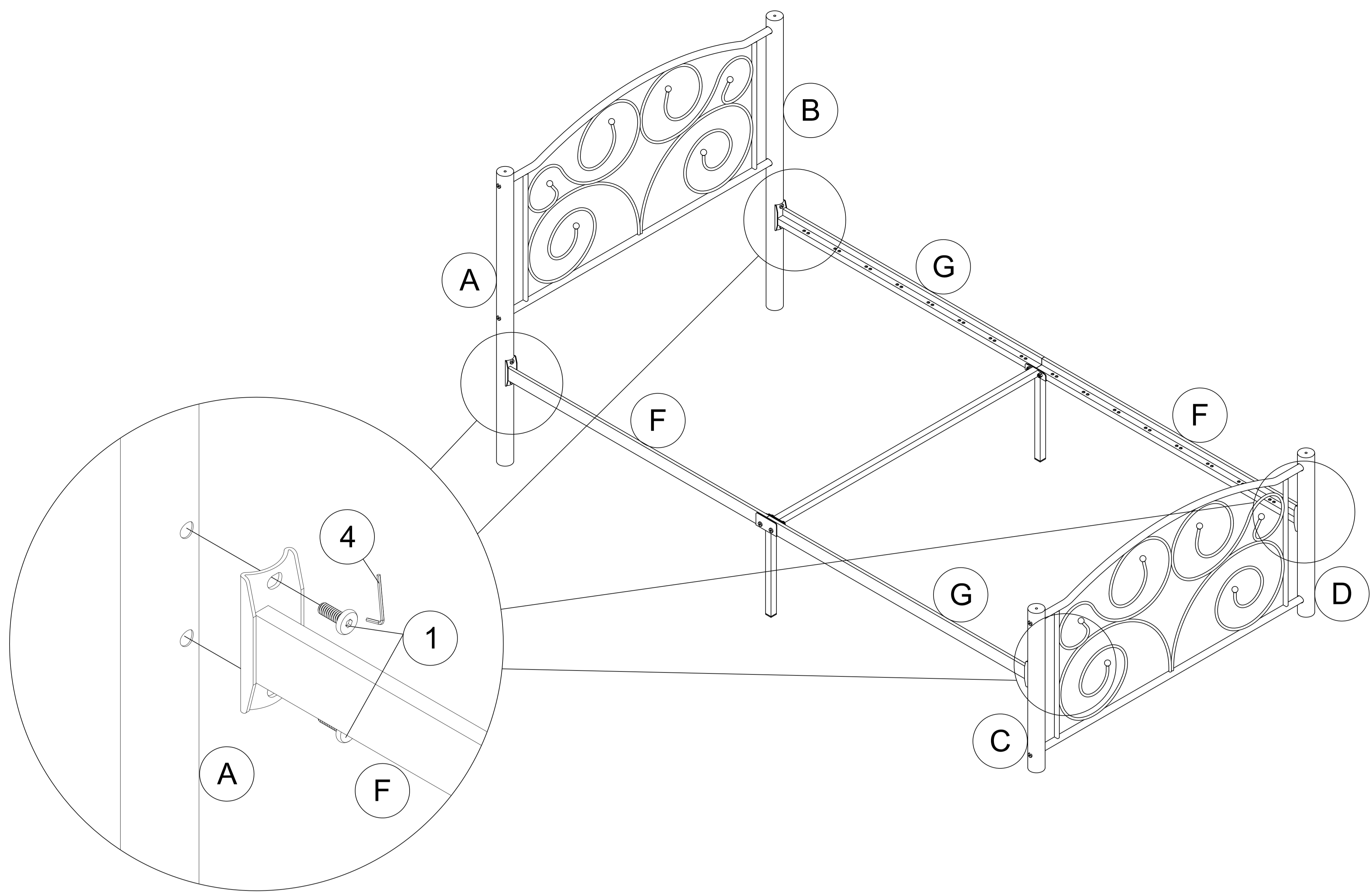
STEP 2



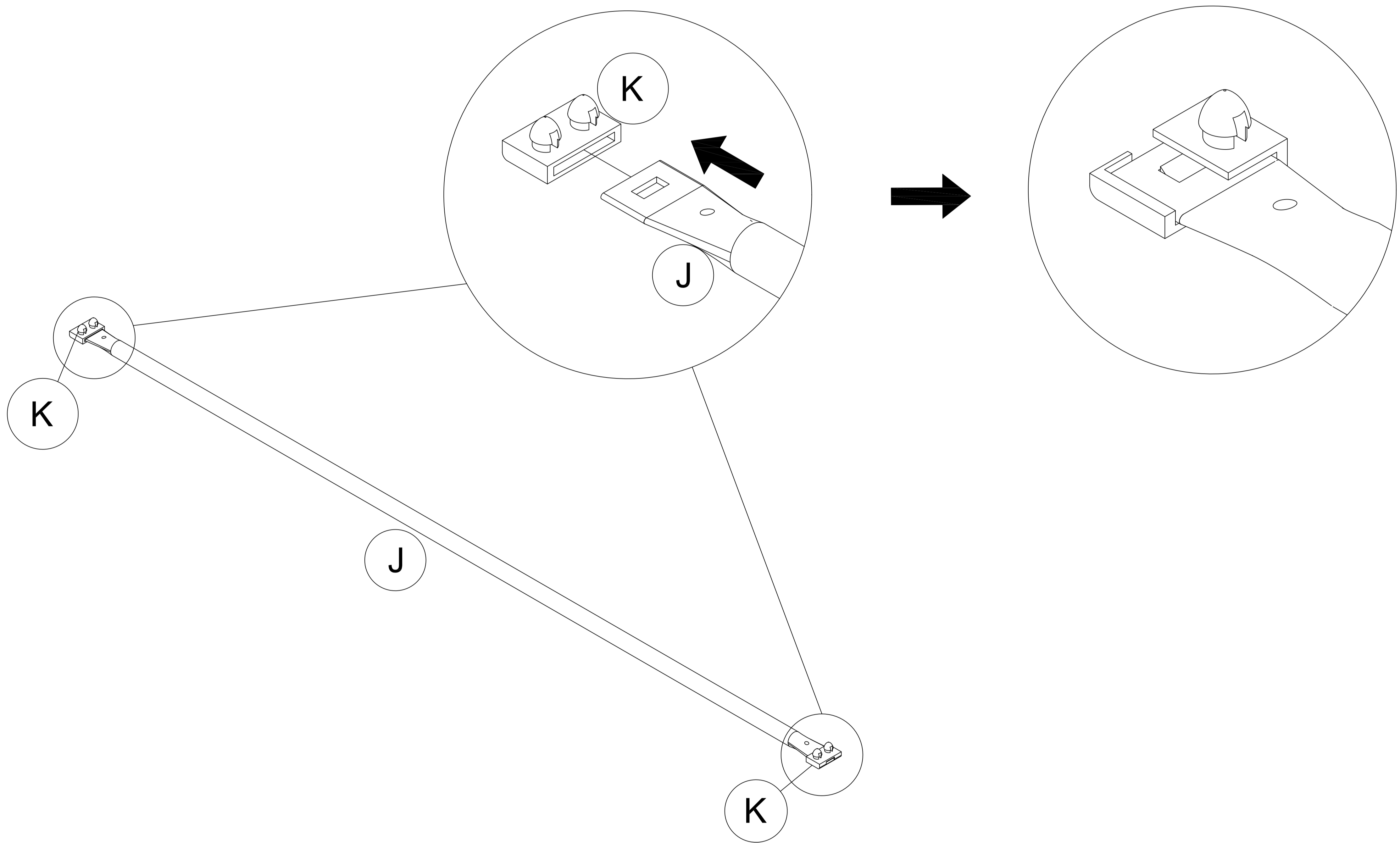
STEP 3



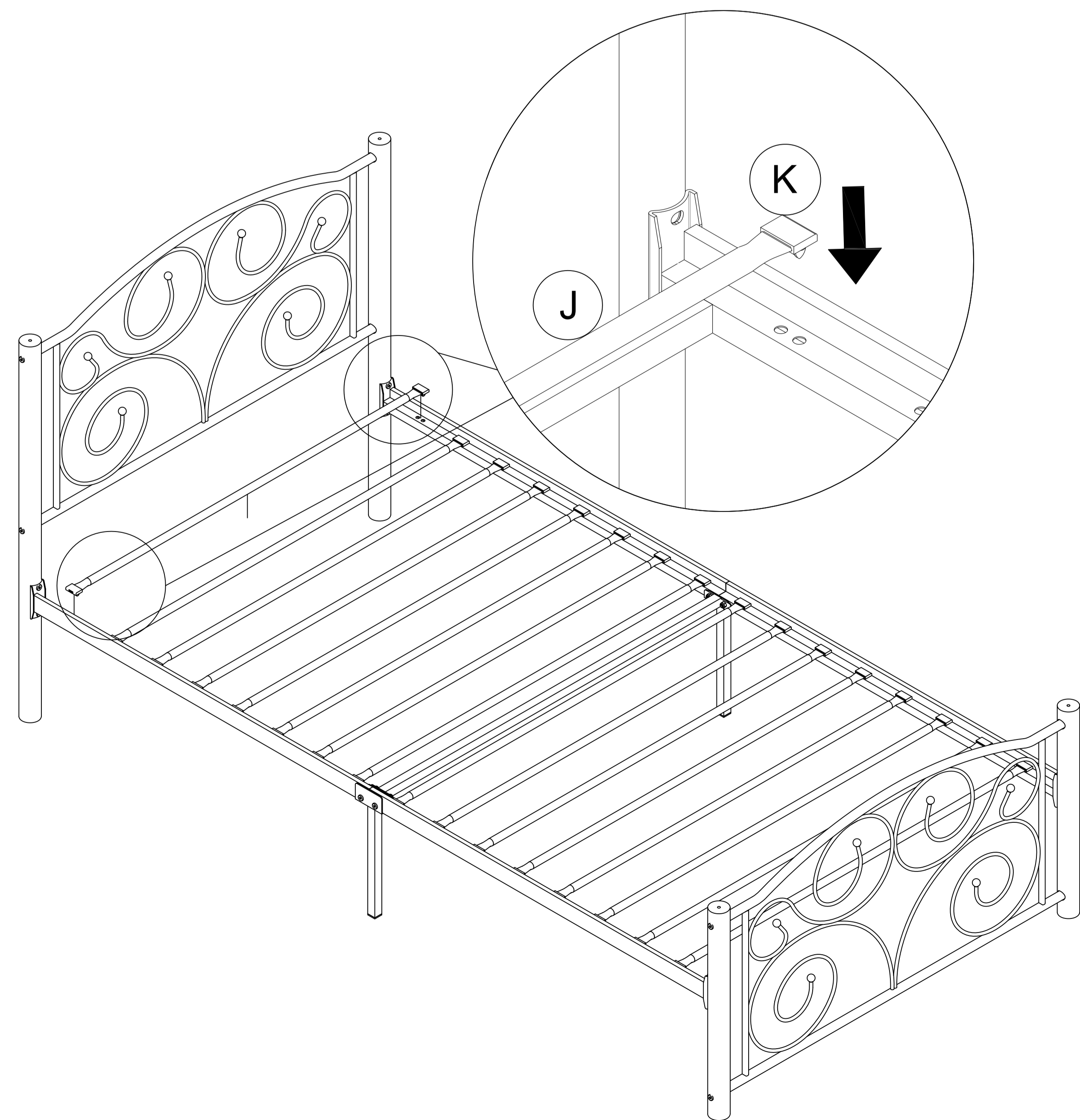
STEP 4



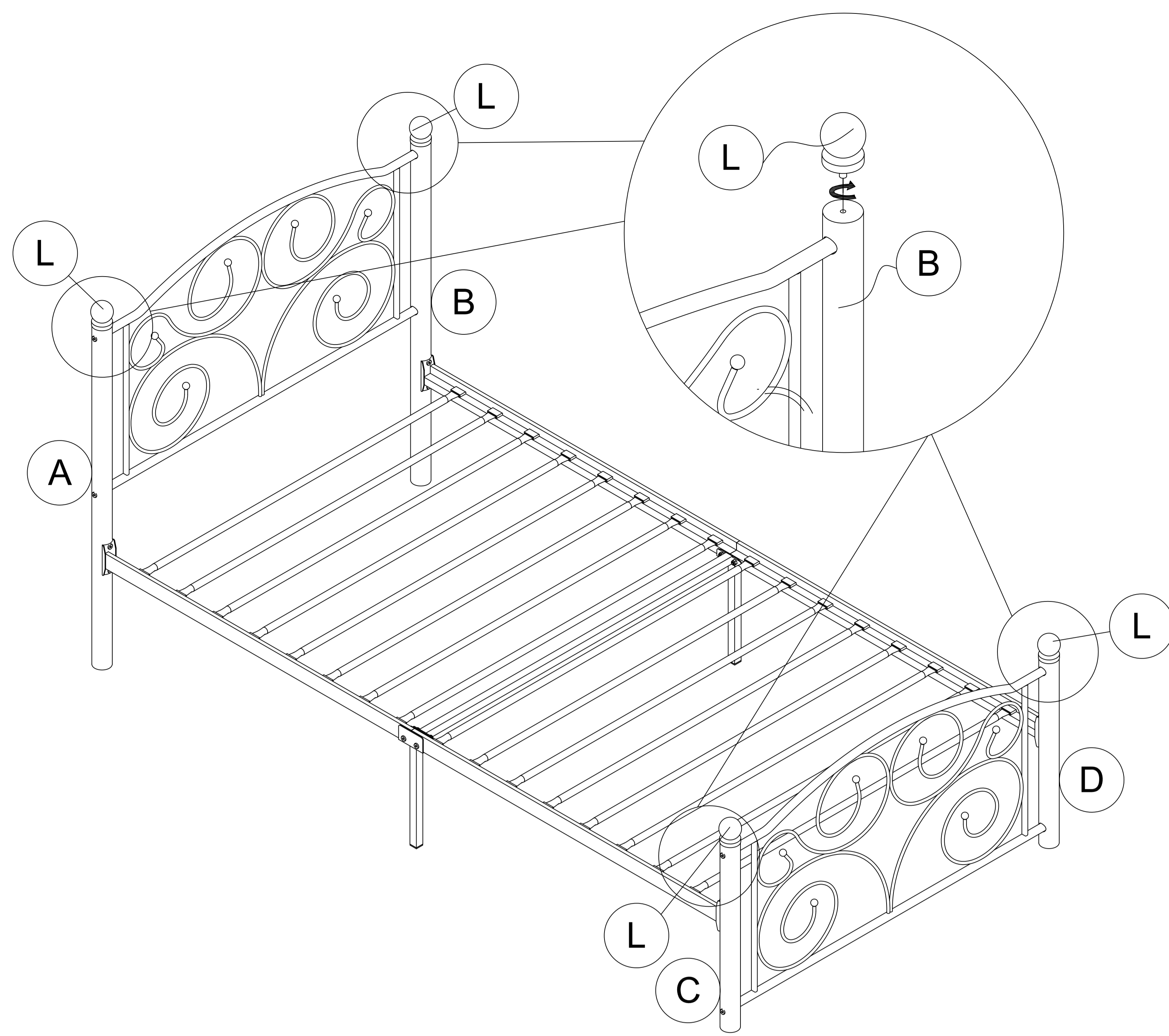
STEP 5



STEP 6



STEP 7



COMPLETED

