
Vanity

INSTRUCTION MANUAL

LaRoyal

2018 Late Edition

Your Dream We Build

STATEMENT

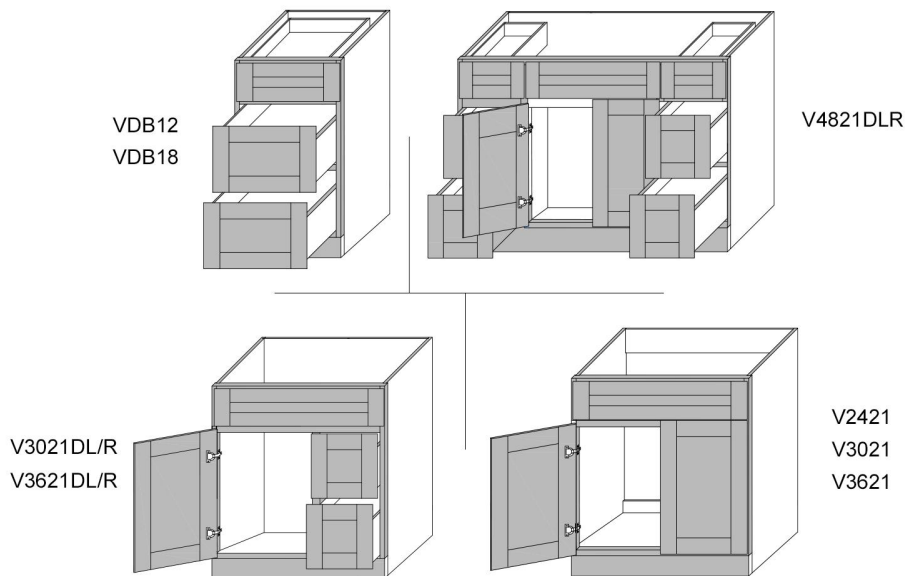
Thank you for purchasing our vanity cabinet product. We strive for premium quality in our products and exceed industry standards as well as certified by different international organizations. Please use our product with the outmost confident as we provide one year of after-sales customer service for free.

Disclaimer:

This installation manual is created based on our 36" vanity cabinet model. Therefore, if you are assembling a different size model, the installation process will be slightly different, however, the general procedure will remain similar if not the same.

V2421, V3021 and V3621 will have a different back panel installation process than the other model sizes, the manual will show the a section of different steps on how to install back panel of the above sizes.

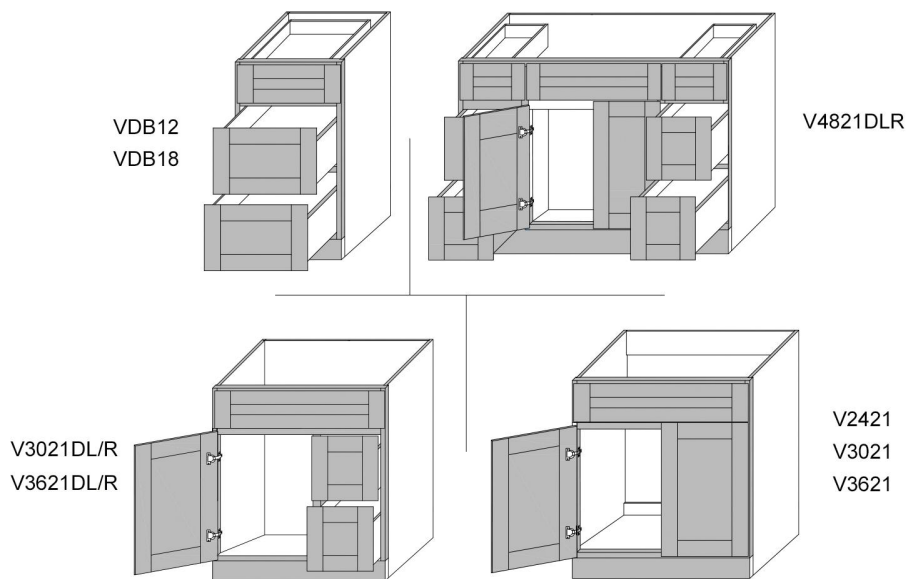
Below are eight different cabinet layout and available sizes for your reference. Please disregard the door style which is for aesthetic purpose.



STATEMENT

首先感谢您使用我们的三角牌定制卫浴柜产品。我司所提供的配套卫浴柜产品均达到相关国际认证标准，请您放心使用。同时我们的产品将为您免费提供为期一年的售后服务。

本段落旨在为接下来的安装说明书提供三点技术免责声明：
一.该册说明书提供的是36英寸三角牌卫浴柜产品的安装过程，所以您购买不是该尺寸的产品安装过程会稍有偏差，但大体安装过程是相同的；二.V2421 / V3021 / V3621该三款产品背板是上下拉带结构，实际安装过程中请注意区分；三.下列为八款三角牌卫浴柜样式，请供参考，请忽略门板造型。



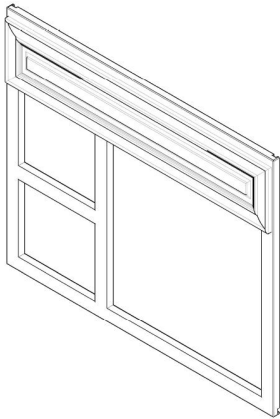
STATEMENT

NOTICE

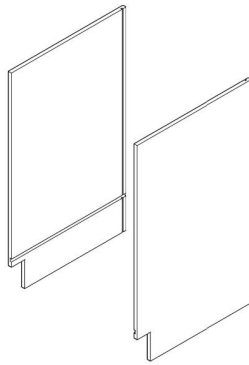
- Please read this assembly guide thoroughly and carefully before assembly
- Please ensure your assembly area is clear of any debris or sharp objects which could scratch or damage the cabinet.
- Our cabinets are treated with paint, which can be fire hazardous, please avoid storing in areas with high temperature or near the fire.
- Please take caution with small parts inside the package, losing or misplacing them could affect your overall assembly
- We recommend using power tools (ie: drill, pneumatic nail gun, etc) for your assembly. This will facilitate your assembly experience.
- In event of missing or damaged/defective parts not caused by wear-and-tear, please contact our authorized dealer for assistance and we apologize for any inconvenience.
- If you are not a professional or have no prior experience in cabinet assembly. We advise excessive caution and follow closely to this assembly guide.

NOTICE

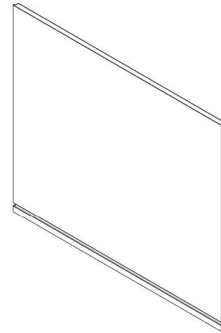
MATERIAL LIST



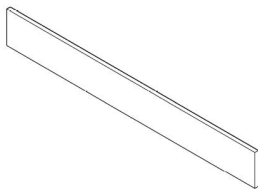
Face Frame



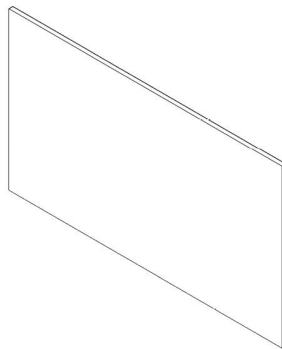
Side Panel



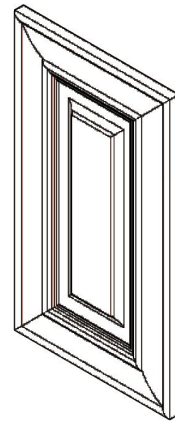
Back Panel



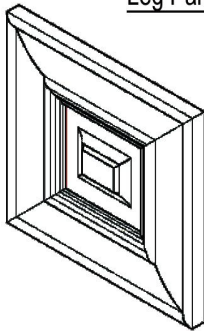
Leg Panel



Bottom Panel



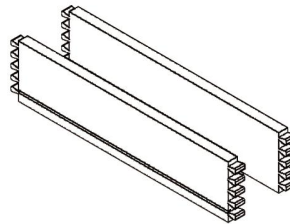
Door Face



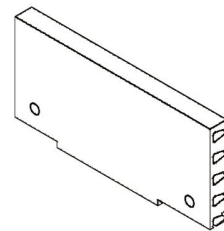
Drawer Face



Drawer Bottom Panel



Drawer Side Panel

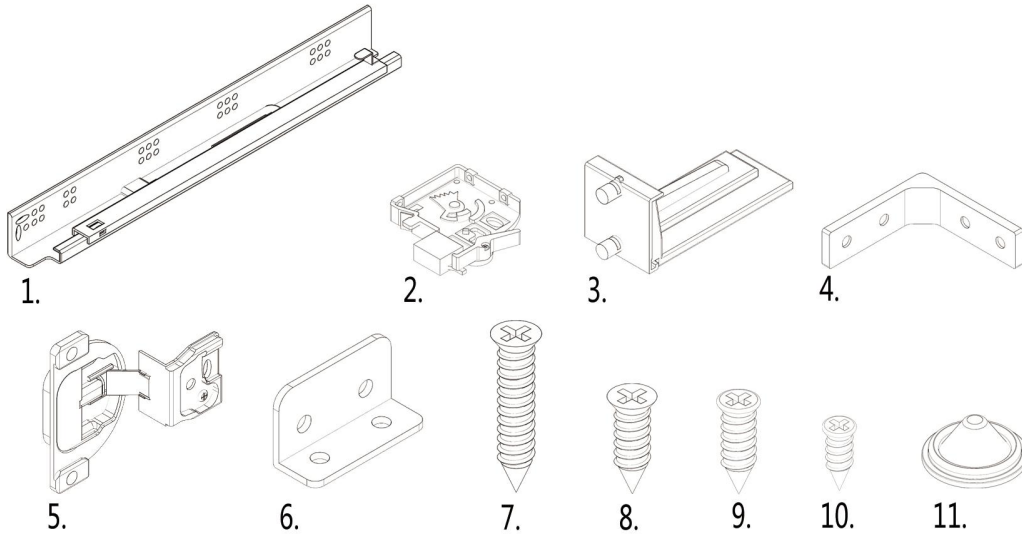


Drawer Back Panel

MATERIAL LIST

MATERIAL LIST

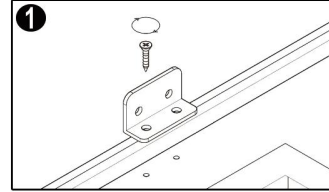
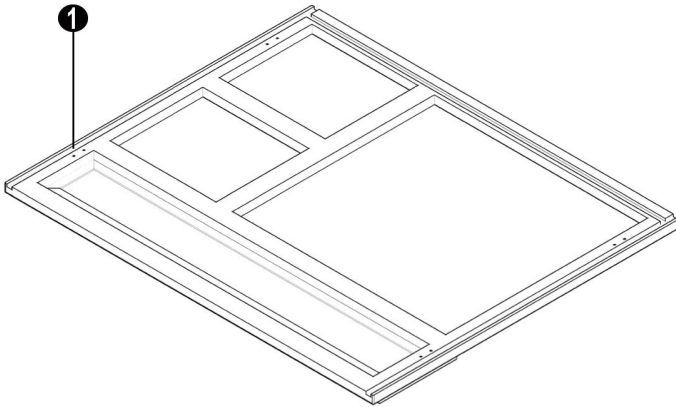
NO.	Item	Quantity							
		V24	V30	V36	VDB12	VDB18	V30D	V36D	V48DLR
1	Drawer Glide	0	0	0	6	6	4	4	12
2	Drawer Glide Connector	0	0	0	6	6	4	4	12
3	Back Brackets	0	0	0	6	6	4	4	12
4	Support Brackets	4	4	4	4	4	4	4	4
5	Door Hinge	4	4	4	0	0	2	4	4
6	L-Shape Connector Clip	4	4	4	4	4	4	4	4
7	1 1/8" Philips Screw	4	4	4	4	4	4	4	4
8	5/8" Philips Screw	20	20	20	24	24	22	22	30
9	1/2" Philips Screw	24	24	24	24	24	24	24	24
10	1/4" Philips Screw	0	0	0	12	12	8	8	24
11	Bumpers	4	4	4	6	6	6	8	16



MATERIAL LIST

INSTRUCTION

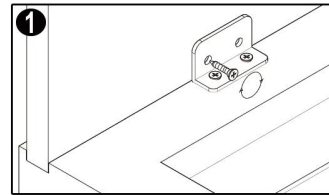
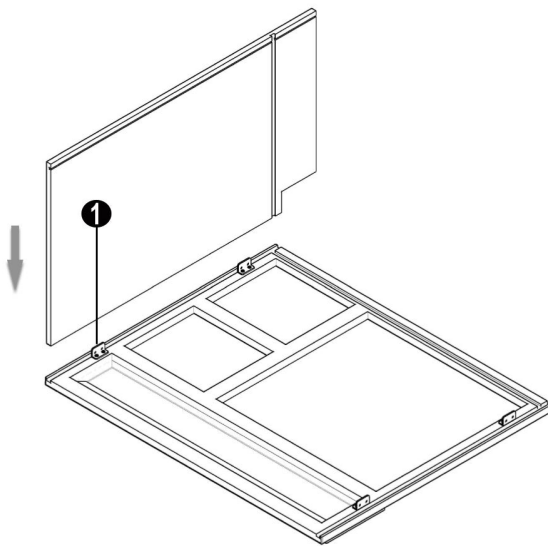
STEPT 1



► Place the face frame in a face down position to a flat surface. Secure the L-Shape connector clip with 1/2" Philips screws to the pre-drilled holes # 1

► 将前框正面朝下放置于水平地面，然后在五金包内找到直角角码，用1/2" 圆头螺丝钉与①中预留眼固定，同理将其余三个直角角码固定好

STEPT 2

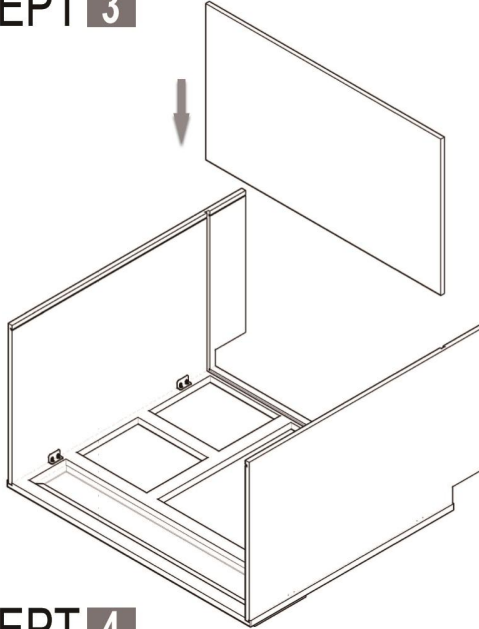


► As show in this picture, slide the side panel into the face frame's groove located on the left or right. Then, secure the side panel to the L-shape connector clip #1 using 1/2" Philips screws. Repeat this step for the other side panel.

► 如图示中侧板有槽面朝内，并插入前框侧板槽中，参考图 ① 用1/2" 圆头螺丝钉固定侧板；同理将另外一块侧板用同样方法固定好

INSTRUCTION

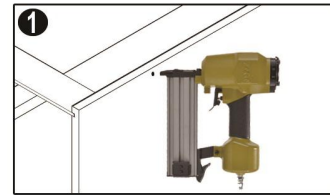
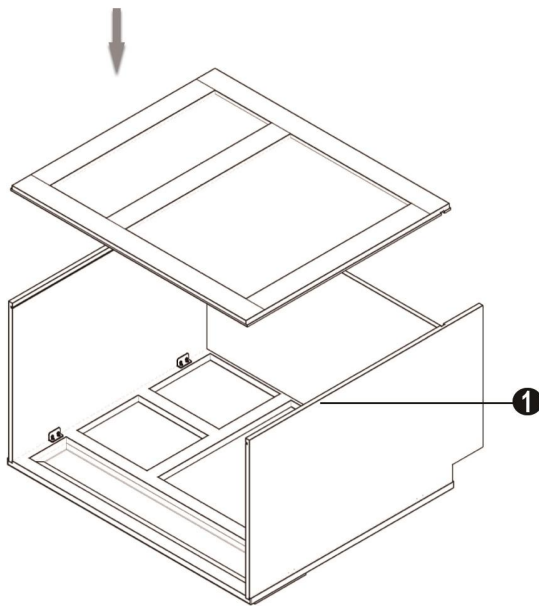
STEPT 3



► After assembling the two side panels, insert the bottom panel through the side panels' groove (see illustration). Make sure the bottom panel is pushed all the way to the end.

► 安装完两块侧板后, 取出底板 (如图示), 顺着侧板插入, 并轻拍入槽点, 使完全嵌入槽内

STEPT 4

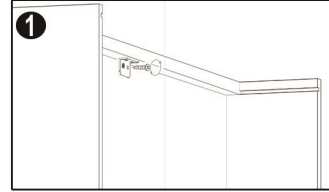
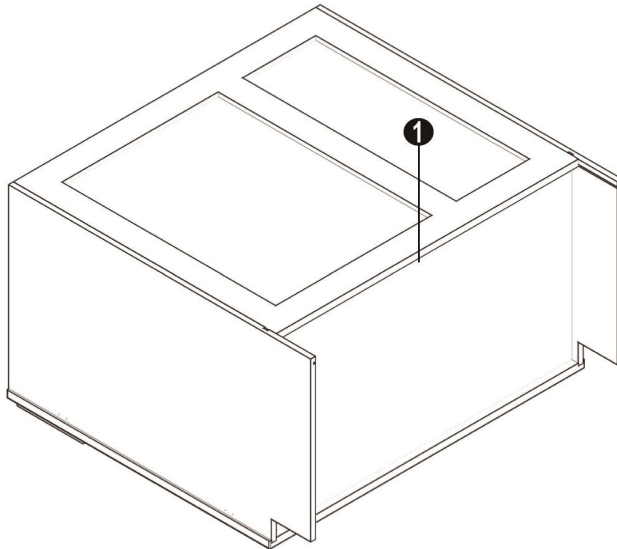


► Now slide the back panel to the back grooves of the side panel. Make sure its fully inserted, then nail the side panel to the back panel. (About 1/6 to 1/4 inches from the end of the side panel, see picture # ①). We suggest three nails per side panel.

► 底板安装固定后, 取出背板 (如图示), 嵌入侧板槽内, 请注意: 背板有槽位置, 需将底板嵌入其中; 根据图①所示位置 (离侧板边5-7mm) 打入适当的枪钉 (建议均分三根即可)

INSTRUCTION

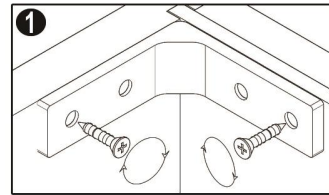
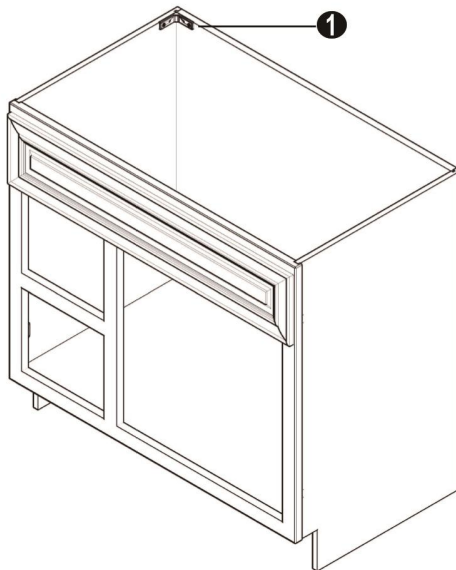
STEPT 5



► (Optional) Locate the bottom of the bottom panel shown on ❶, using a L-shape connector clip, connect the center of the bottom panel and back panel like the illustration above.

► 旋转柜体如图示角度，在图❶位置上（即背板或底板边缘正中间处）用角码连接底板与背板，该步骤可以省略

STEPT 6

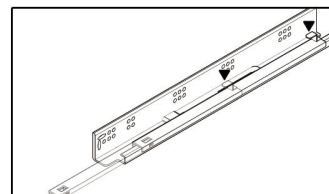
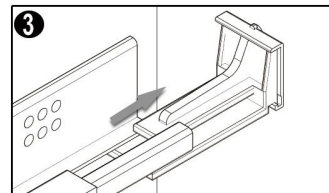
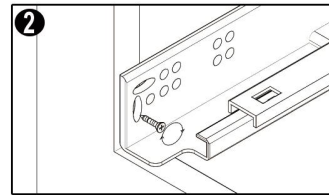
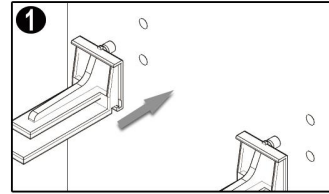
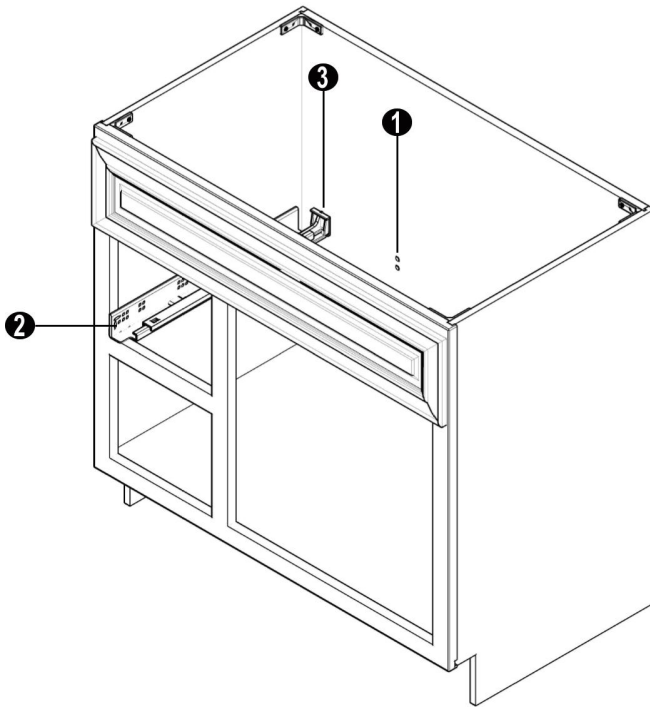


► Turn the cabinet box to the standing position. Secure the top four corners using the "Support Brackets". Use 5/8" Philips screws. Two screws per bracket will be enough.

► 踢脚安装好后，将其立放，在五金包内取出柜体连接件，如❶图示，使其与柜体顶端齐平，用5/8" 螺丝钉使其与柜体固定，可以如❶图只用两个螺丝，也可四个全用

INSTRUCTION

STEP 7



Picture shown is the complete set of the drawer glide. Part shown as semi-transparent indicates this object is movable, which will help in identifying in the following step.

图示为阻尼滑轨示意图，半透明部分代表该部件可移动，在安装抽屉时会用到倒三角所指部件

► After securing the four corners with brackets. Attach the back bracket to the pre-drilled holes on the back panel. Then, as shown on #1 slide the U-shape end of the drawer glide into the back bracket, adjust the depth accordingly. Lastly, secure the front end of the drawer glide to the face frame using 5/8" Philips screws. Make sure the front of the drawer glide is recessed approx. 3mm from the face frame. (Not flushed with the face frame)

► 四角固定后，根据①图所示，将滑轨后托件嵌入背板预留眼内；然后如③图所示，将滑轨尾部U型槽插入后托件内，根据实际情况决定深浅；最后如②图所示，用5/8" 螺丝钉将滑轨与前框固定，滑轨前端比前框外边短大约3mm

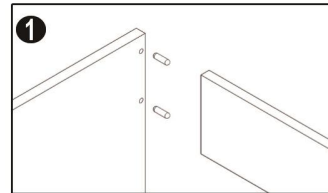
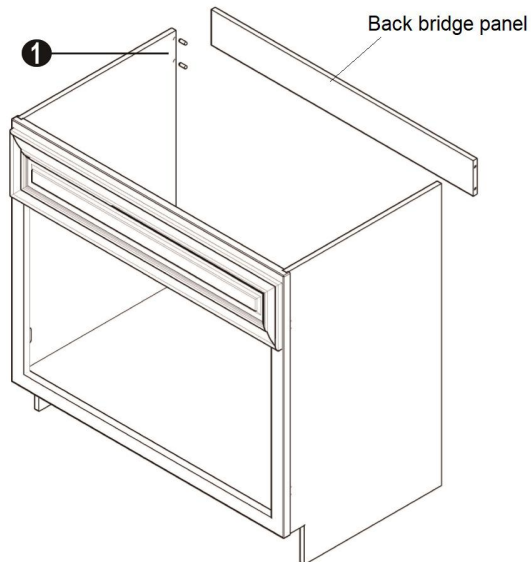
INSTRUCTION

EXTRA

Difference in back panels for V2421 / V3021 / V3621

关于 V24 / V30 / V36 的背板不同的温馨提示

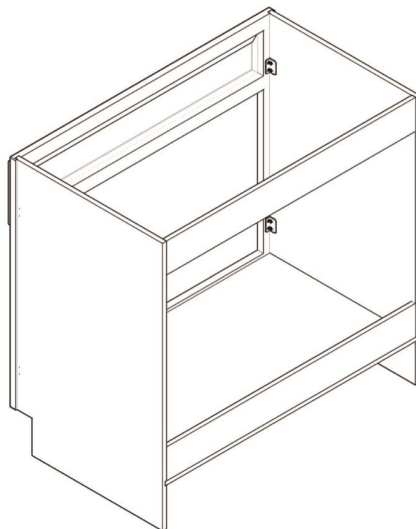
I.



► Find the R=6mm wood dowel pins from the accessory bag. Follow and insert the pins into the side panels first, and then connect it with the back bridge panel.

► 请在五金包内找到R=6mm的木肖，根据图①所示务必先将其插入侧板槽内，再将拉带与侧板连接

II.

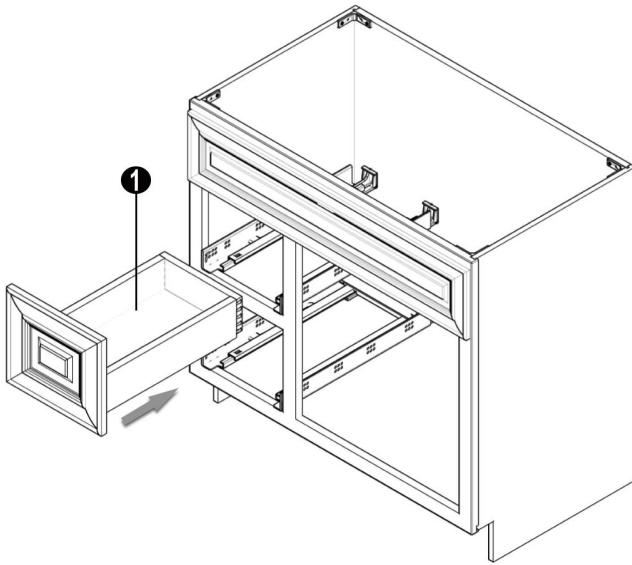


► There are total of two back bridge panel to connect to the side panels, please make sure the second one is installed the same way as above.

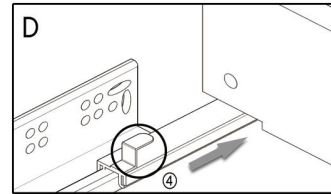
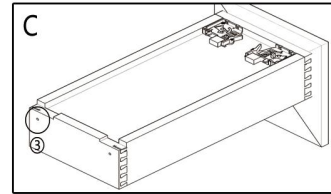
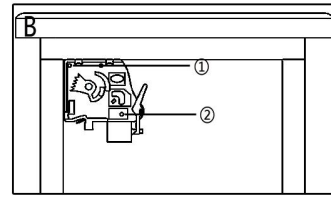
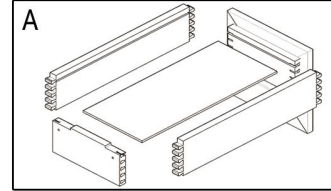
► 上下一共两块拉带请根据上一步安装，左图为安装完成图

INSTRUCTION

STEP 8



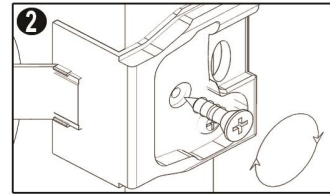
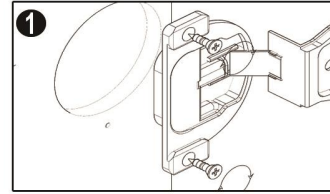
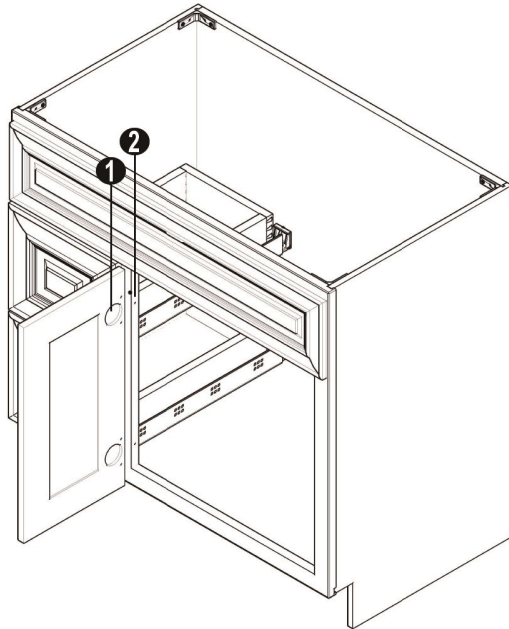
1 Assembling the drawer box



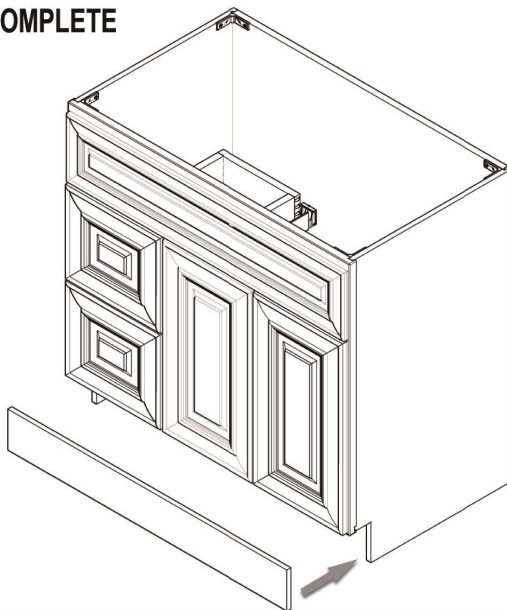
- ▶ After securing the drawer glides to the cabinet box. Assemble the dove-tailed drawer box. Properly secure the dove-tailed drawer box panels with each other. Attach the drawer glide connectors underneath the drawer box as shown on #B (Two connectors per drawer box as shown on #C). Secure the connectors using screws at the location shown #① and #② on picture B. Then, position the hole (Picture C, #③) on the back of the drawer box and insert it to the movable glide mentioned in Step 7 (Refer to Picture D, #④). Once inserted, push the drawer box all the way into the cabinet box, the drawer assembly is complete.
- ▶ 将滑轨与柜体固定后，先安装抽屉，抽屉采用燕尾榫结构，如图A所示4个部件组合固定即可；将组合好的抽屉底面朝上，取出抽屉底板连接件（如图B所示部件），分别于图示所指①，②位置用其包装内最小螺丝钉固定（该部件相关为独立包装）；安装完两个对称的抽屉底板连接件后，参照图C中圆圈标示的预留孔③与图D中圆圈标示的滑轨部件④（该部分可移动，请参考STEP 7 中的滑轨参考），将④嵌入③中，另一个同理，至此将抽屉推进柜体内，安装完成

INSTRUCTION

STEP 9



COMPLETE



► Last step, install the doors to the face frame using provided hinge shown on # ❶ and # ❷. Using 5/8" Philips screws, attach one end of the hinge to the pre-drilled hole on the door and attach the other end of the hinge to the pre-drilled hole on the face frame.

► 进行最后一步，安装门板，参照图❶所示预留眼，用5/8" 螺丝钉将铰链与门板固定；再参照图❷ 将铰链另一端与前框预留眼用5/8" 螺丝钉拧紧固定...至此卫浴柜安装完成

► After finishing all other steps, look for the Toe Kick board inside the package, use nail gun or adhesive to attach it to the bottom of the cabinet box as illustrated. Congratulations! You have finished assembling your vanity cabinet!

► 当您的所有标准柜安装排列完成后，在包装内找到踢脚板，用枪钉或者热熔胶将其与侧板下方连接，此时恭喜您，我们的产品安装完成！

Thank you for
choosing our product



Product Department

