



10'X10'/9'X11.5'

PATIO UMBRELLA

Assembly and Operation Manual


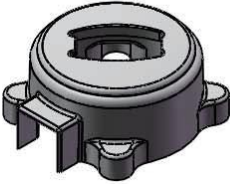
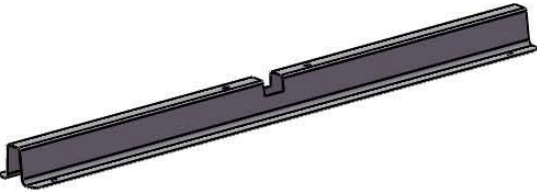
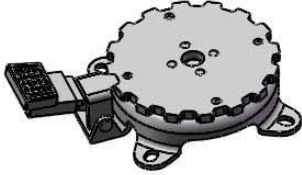


***T**hank you for your purchase*


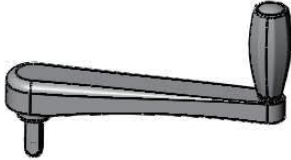
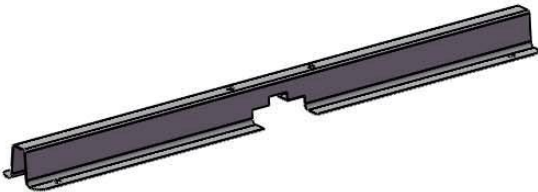



Read and follow this assembly and operation guide.

*To reduce personal injury and damage to your umbrella,
Please **close** your umbrella when it is incoming over **30 mph** wind.
We recommend a **two-person team** for assembly and disassembly.*

*If you like our products, please tell other customers
If you have problem with our products, please tell us*

Please feel free to contact us.

A	 <p data-bbox="416 233 714 272">Cantilevered Canopy</p>	1X
C	 <p data-bbox="501 504 663 541">Base Cover</p>	1X
E	 <p data-bbox="472 767 678 804">Cross Base Bar</p>	1X
G	 <p data-bbox="506 1031 658 1067">Foot Pedal</p>	1X
J	 <p data-bbox="495 1294 669 1331">M8*15 Bolts</p>	4X
L	 <p data-bbox="539 1461 573 1498">S6</p> <p data-bbox="483 1525 674 1562">Allen Wrench</p>	1X

B	 <p data-bbox="1599 233 1740 269">Base Tube</p>	1X
D	 <p data-bbox="1570 504 1760 541">Crank Handle</p>	1X
F	 <p data-bbox="1559 767 1765 804">Cross Base Bar</p>	1X
H	 <p data-bbox="1581 1031 1756 1067">M8*20 Bolts</p>	4X
K	 <p data-bbox="1715 1230 1760 1254">Φ8</p> <p data-bbox="1585 1294 1749 1331">Flat Washer</p>	8X
M	 <p data-bbox="1424 1525 1845 1562">Corner Canopy Connect Tube</p>	4X

Important

Prior to assembly, it is important to choose the location of the umbrella.

- We recommend a **two-person team** for assembly and disassembly.
- Allow **ample height** to avoid damage to your umbrella during assembly and usage.
- Choose a location that is **level and sturdy**.
- Consider a location that will maximize the umbrella's rotating swivel function. Placing the umbrella **between two entertaining areas is ideal**.
- To avoid personal injury or damage to the umbrella, make sure the **area** around you is **clear** from any outdoor structure or furniture.
- **Keep all the flame and heat sources away** from this umbrella.

STORAGE: Properly store the umbrella when not in use. Close the umbrella, fasten the strap around the canopy and cover the umbrella with a protective cover.

NOTE: DO NOT discard any packaging or box until assembly is complete.

CAUTION:

Moving the umbrella when it is fully open will increase the risk of damage to your umbrella or will cause serious injury.

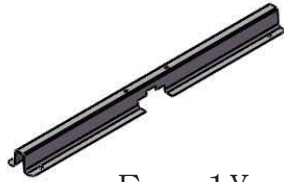
ATTENTION:

Please remove the protective film prior to use

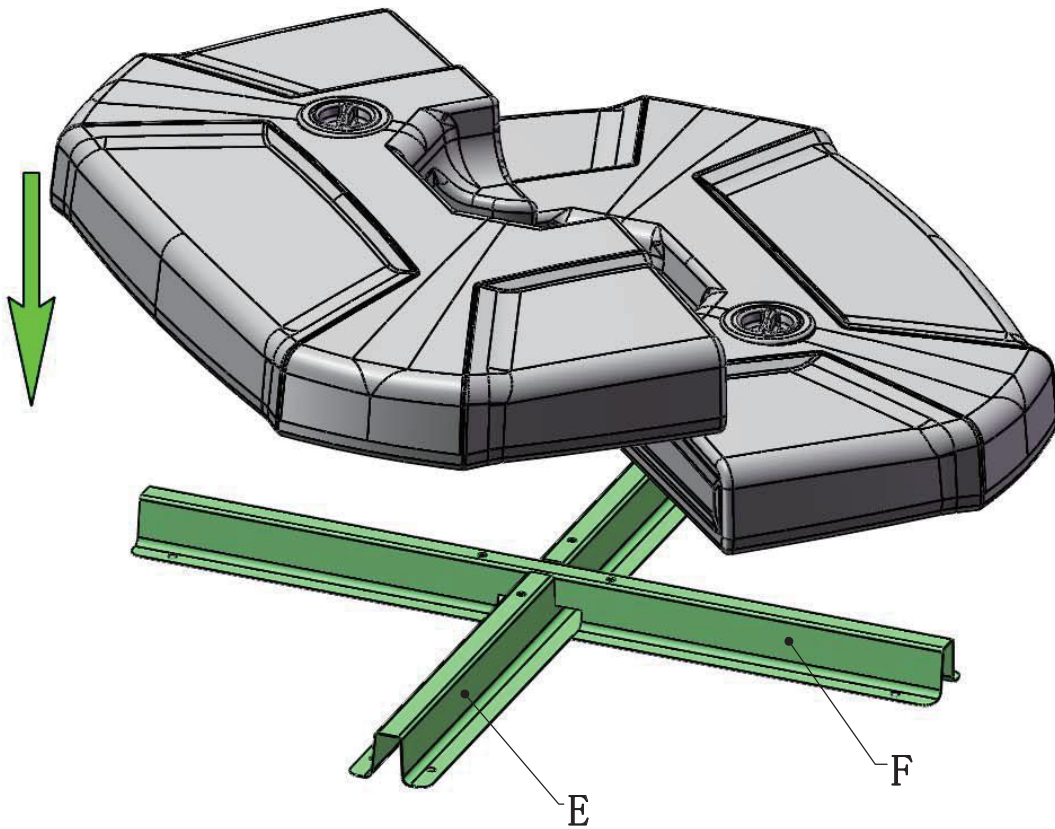
Base Tube Assembly



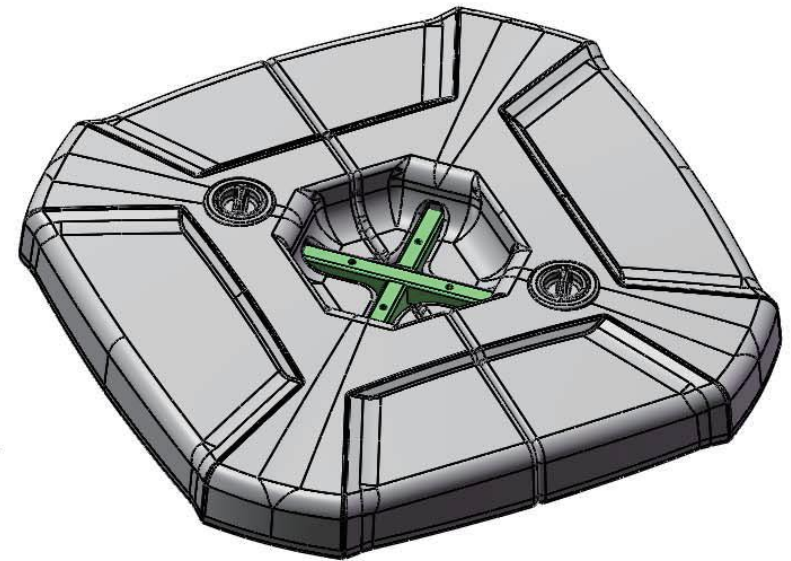
E 1X



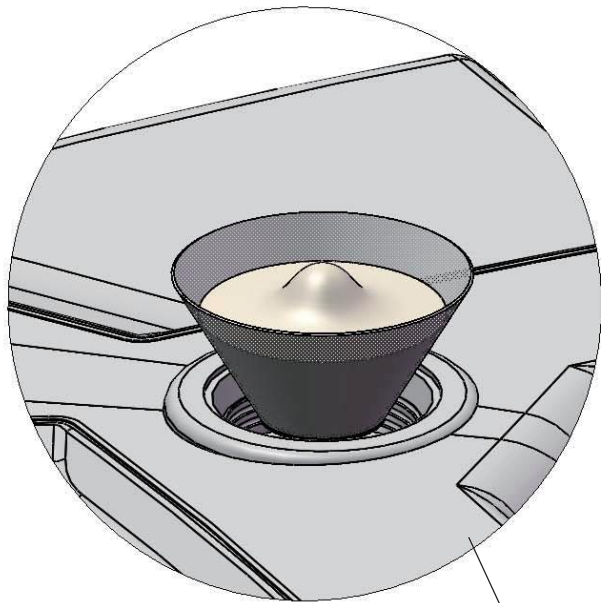
F 1X



Option 1: **Water Tank Base**
(Sold Separately)

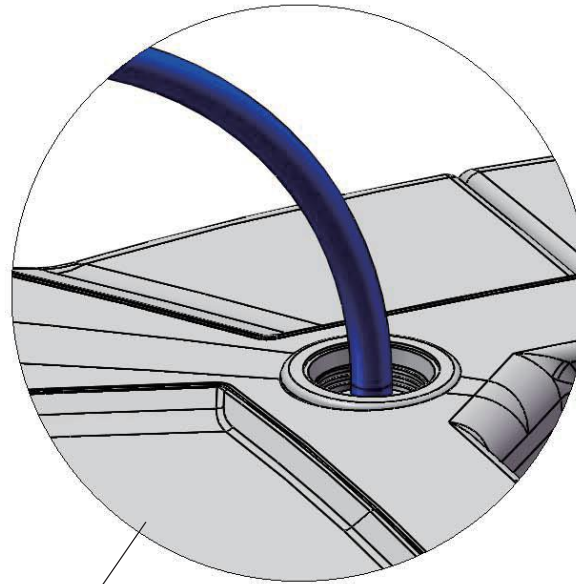


Base Tube Assembly



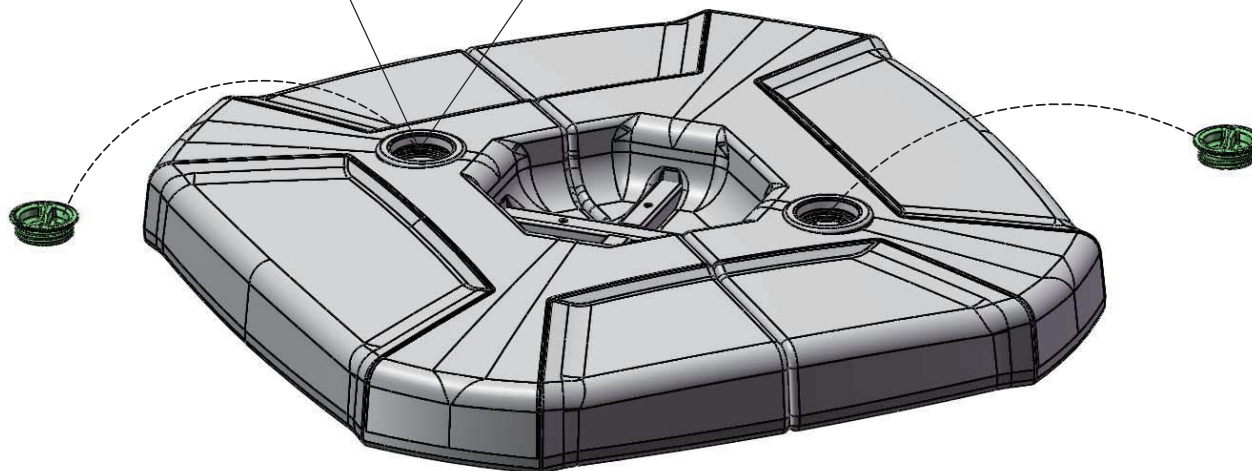
stand

or

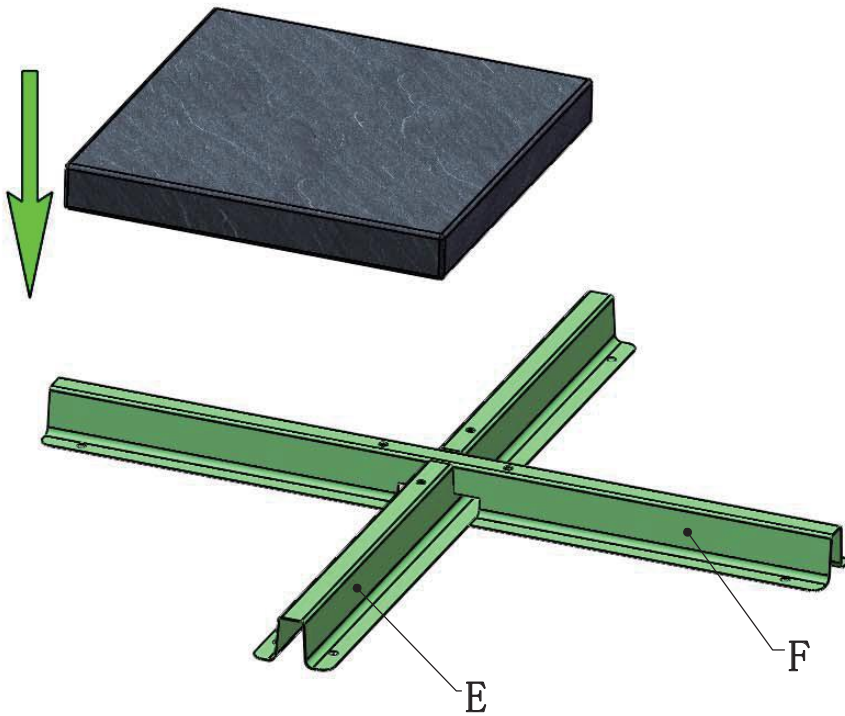
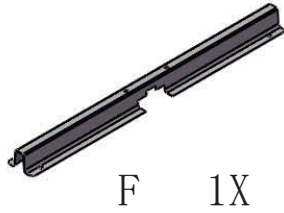
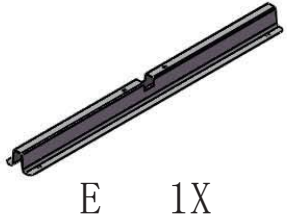


water

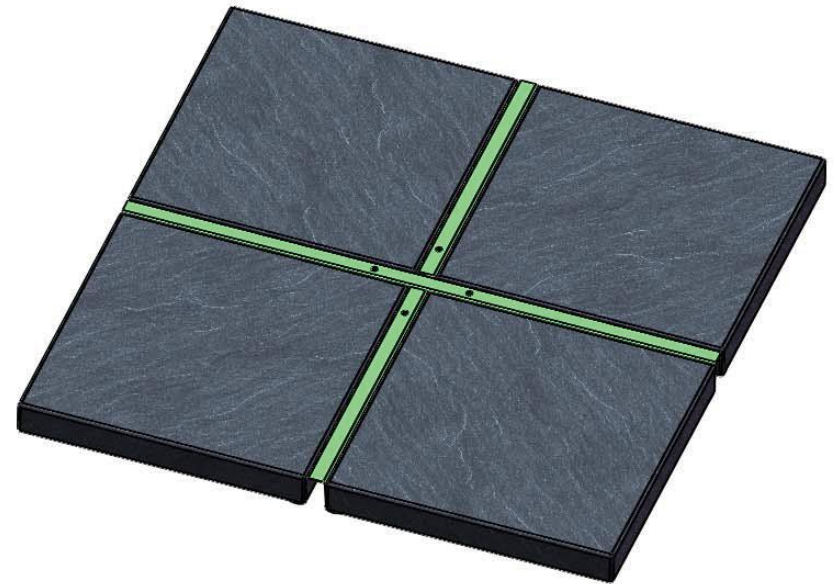
Water and sand can
both be injected



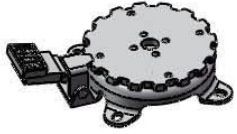
Base Tube Assembly



Option 2: **Granite Base**
(Prepare By Yourself)



Base Tube Assembly



G 1X



M8*20

4X



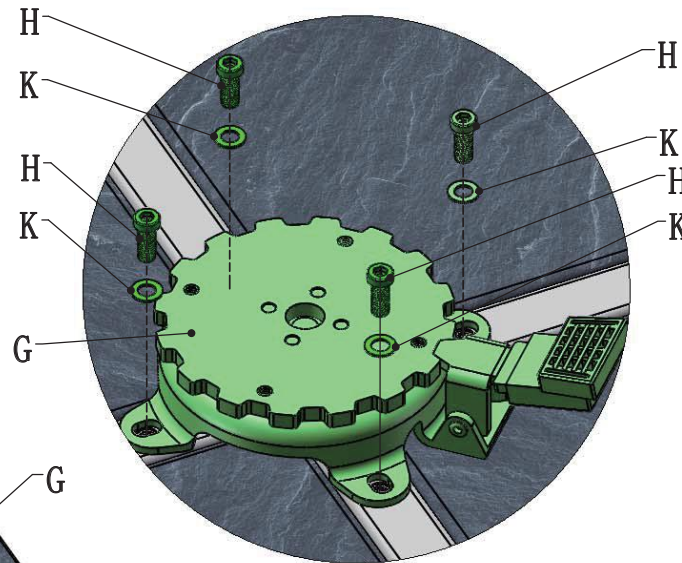
Φ8

K 1X

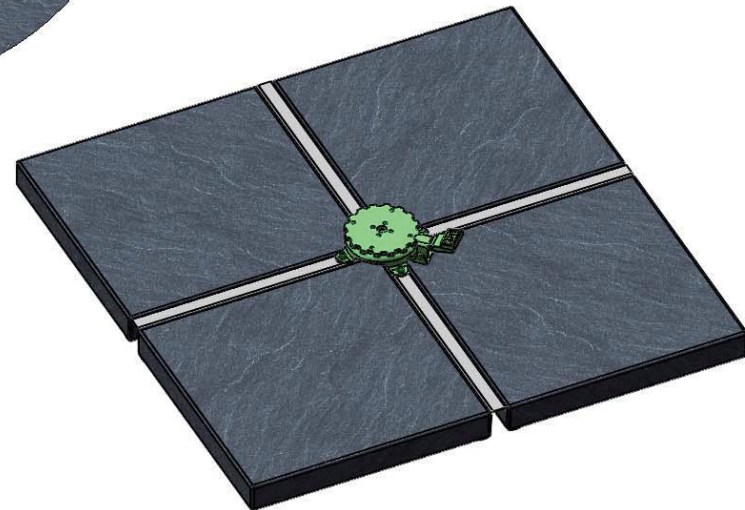
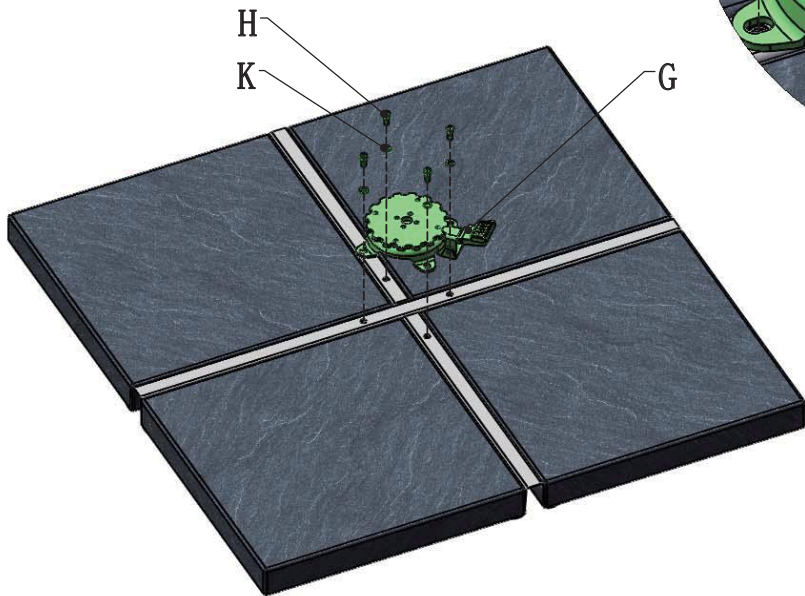


S6

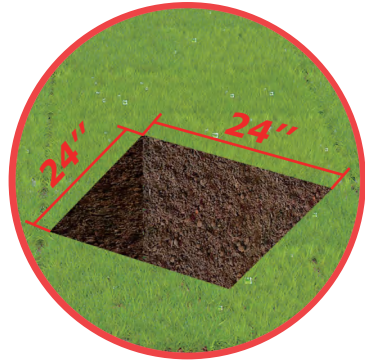
L 1X



Notice: Make sure you have enough space to operate the pedal before installation.

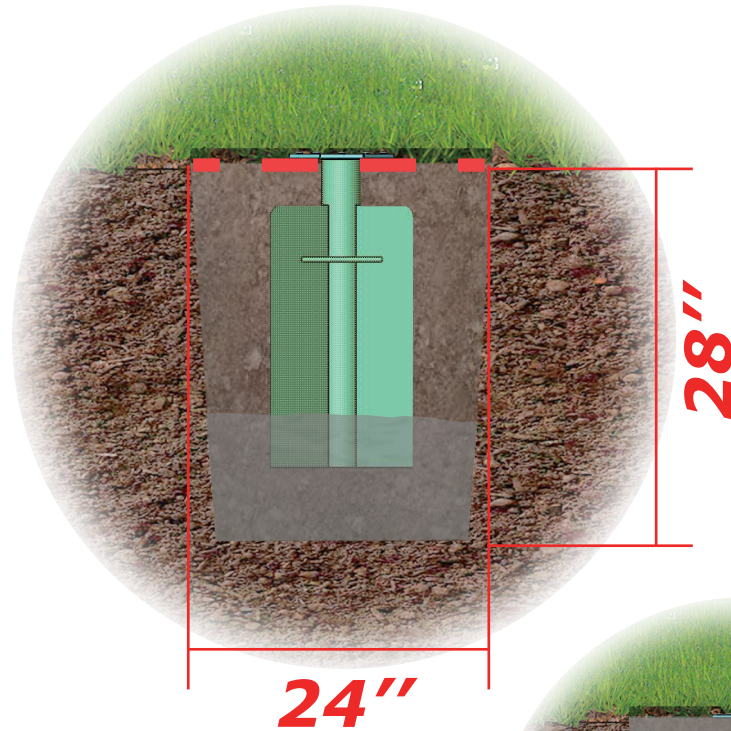


Base Tube Assembly



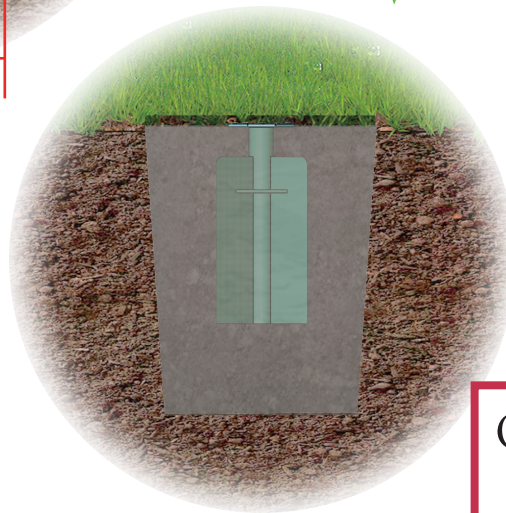
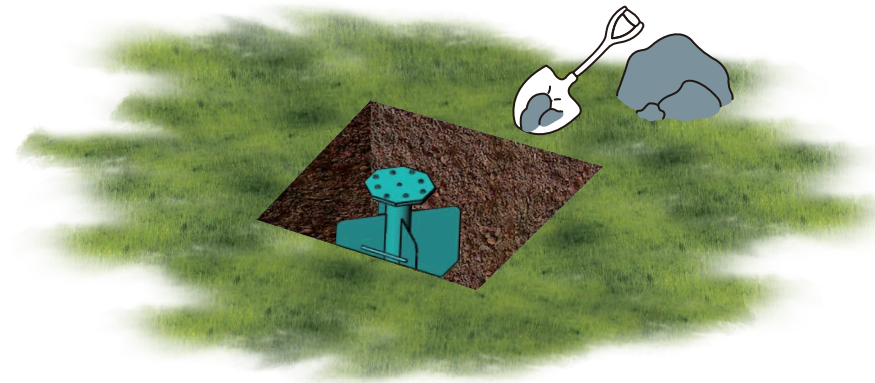
Step 1:

Dig a hole (24" x 24" x H 28").



Step 2:

Fill with 1/3 cement and gently put the inground base down to make sure it's horizontal to the ground.



Step 3:

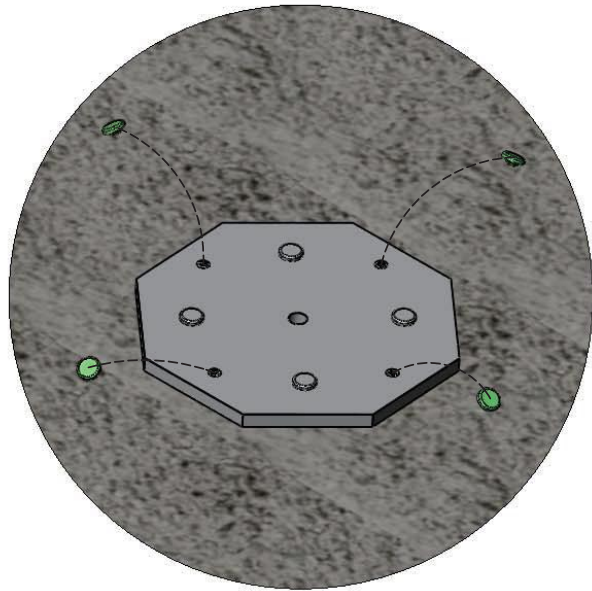
Fill up with 100% cement.

**Option 3: In-ground Base
(Sold Separately)**

**wait for the solidification of the cement
to process the following assembly**

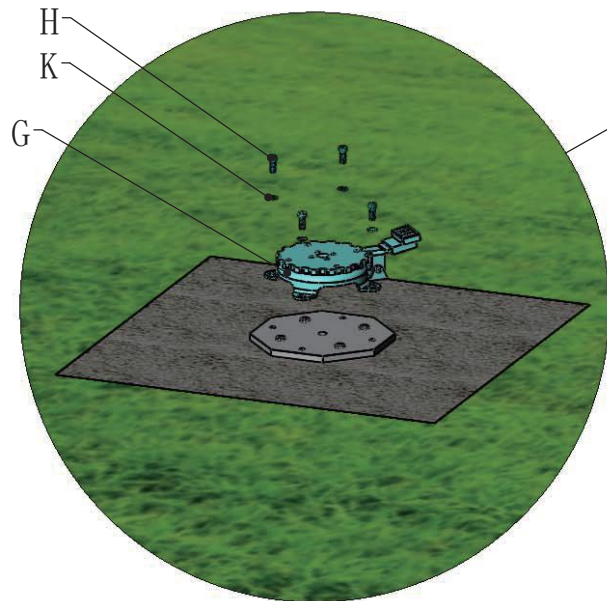
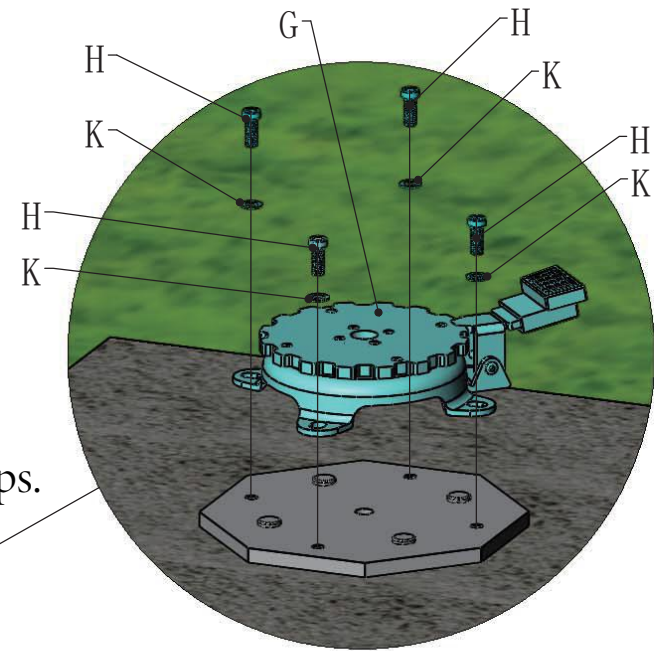
Concrete > 700lbs

Base Tube Assembly



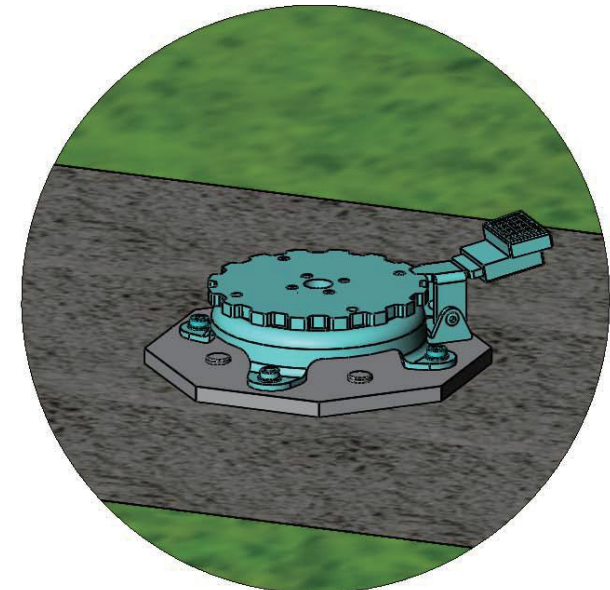
Step 1:

Remove the 4 plastic caps.



Step 2:

Install the foot pedal.



Base Tube Assembly



B 1X



M8*20

J 4X



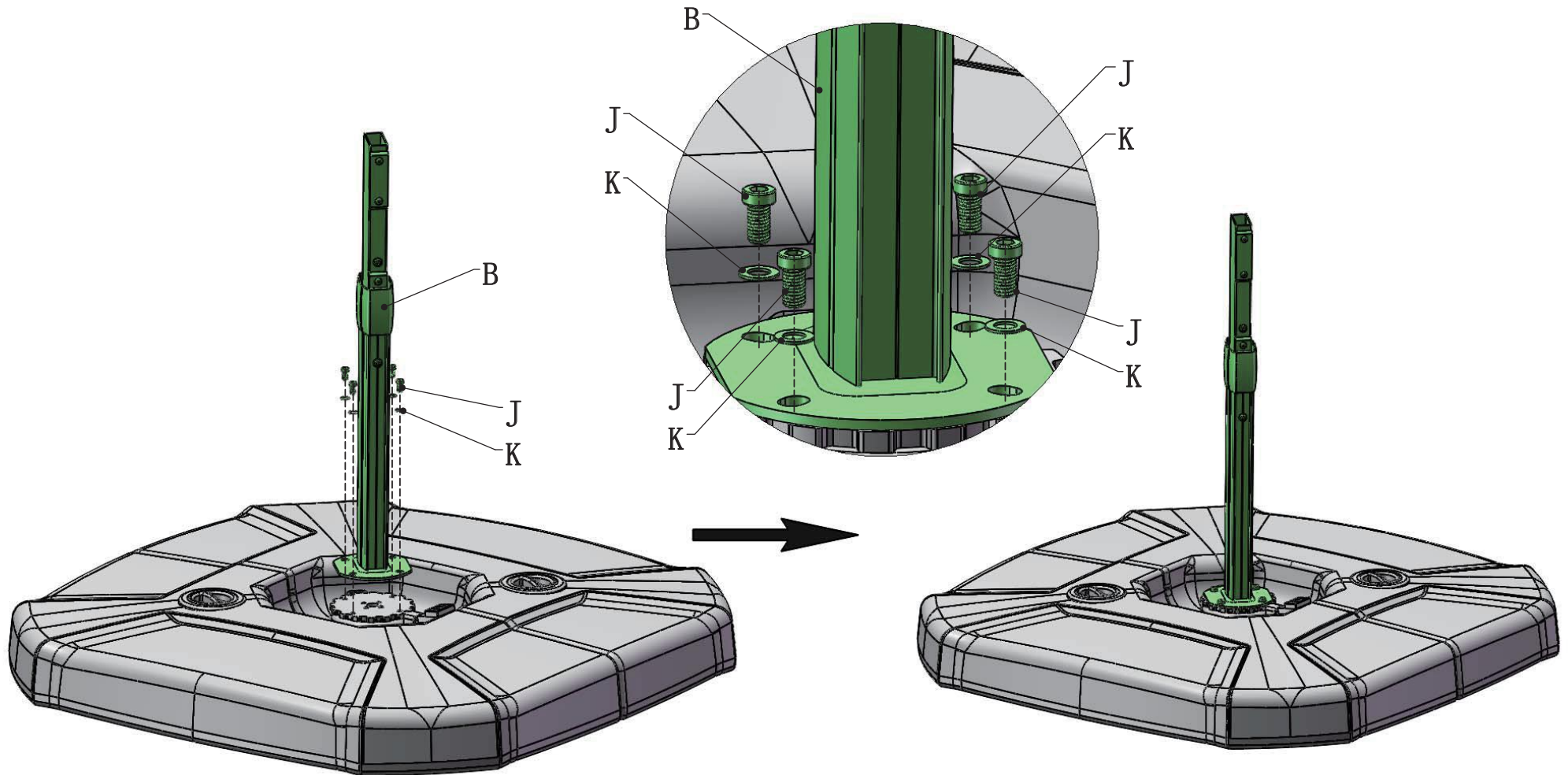
$\Phi 8$

K 4X

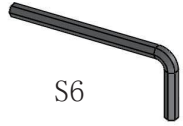


S6

L 1X



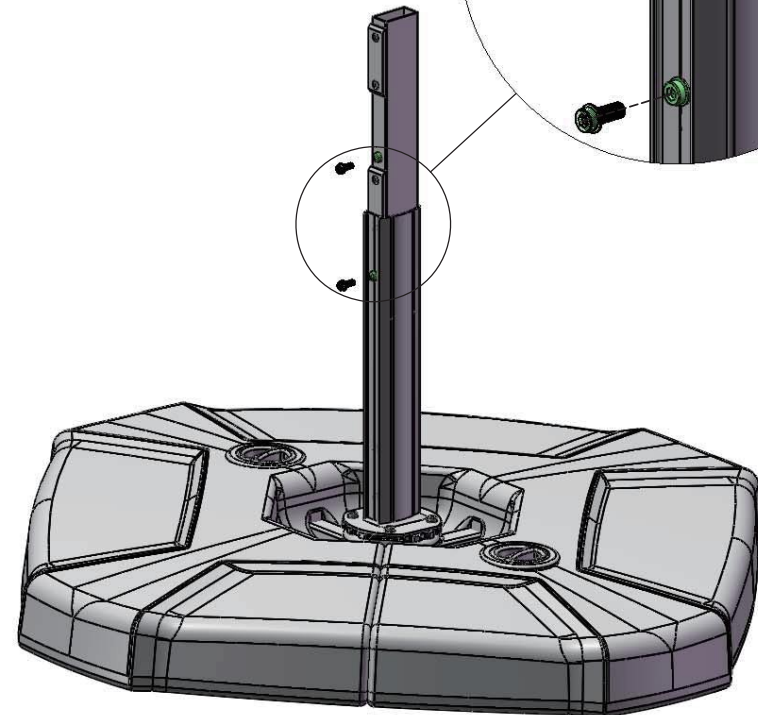
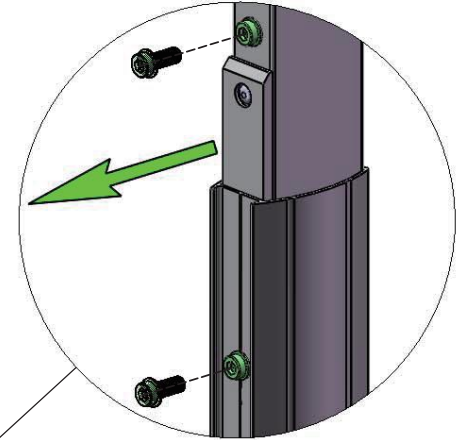
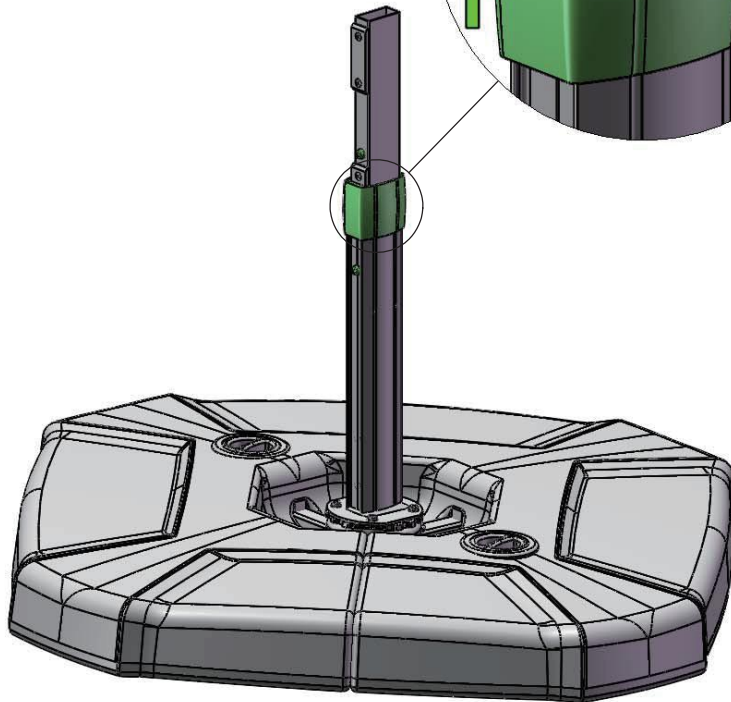
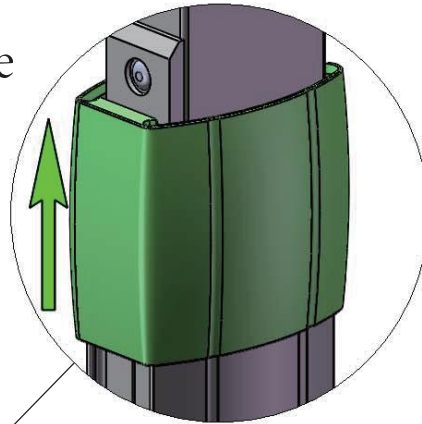
Base Tube Assembly



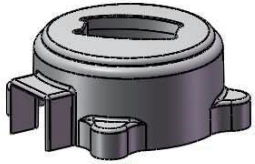
S6

L 1X

Pull out the plastic cover from the base tube #B and Unscrew the 2 bolts as shown.

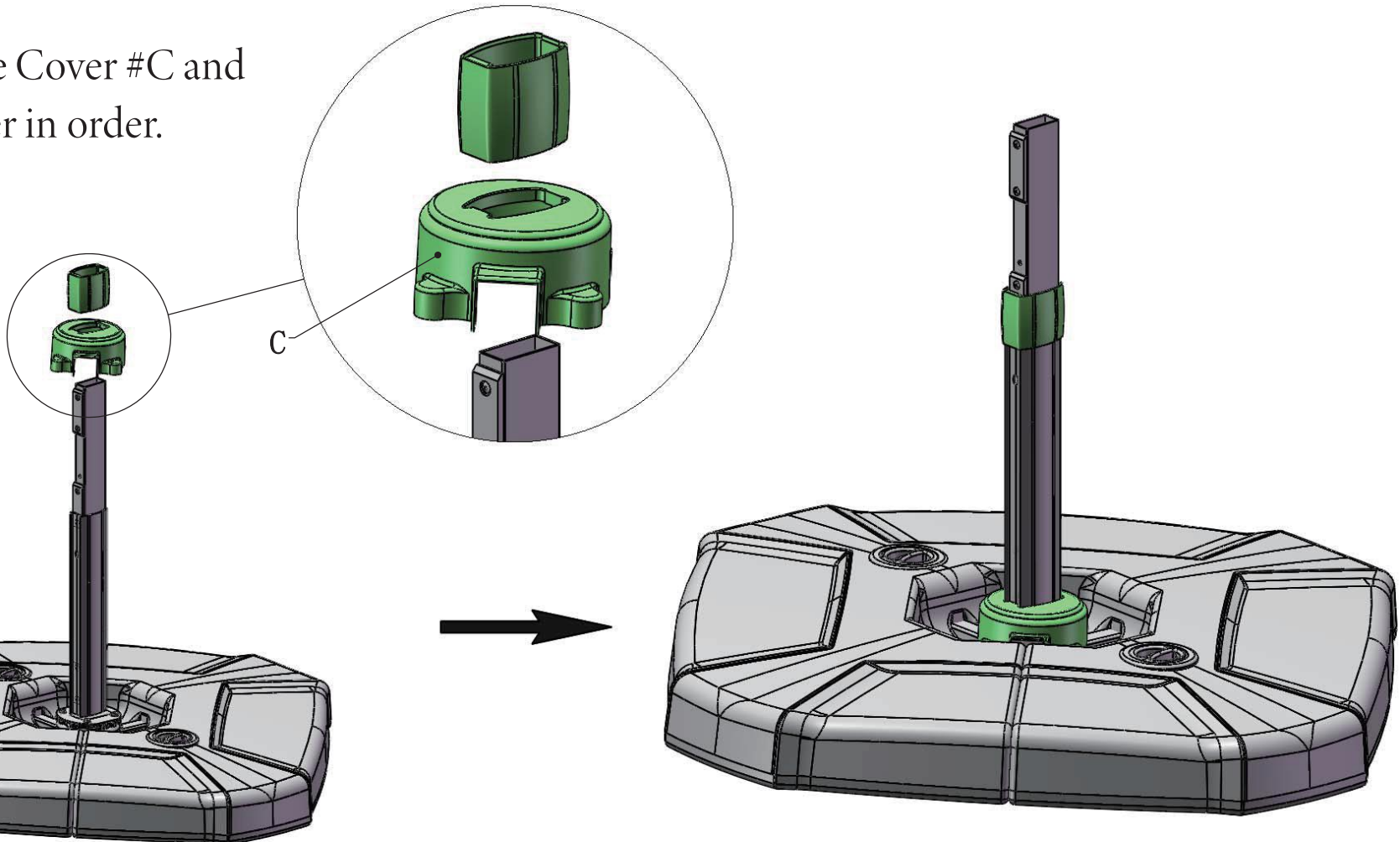


Base Cover Assembly



C 1X

Put on the Base Cover #C and the plastic cover in order.



Umbrella Assembly

Two-persons recommended for team lift and to complete assembly.

Please remove all of foam material from the frame before opening umbrella.



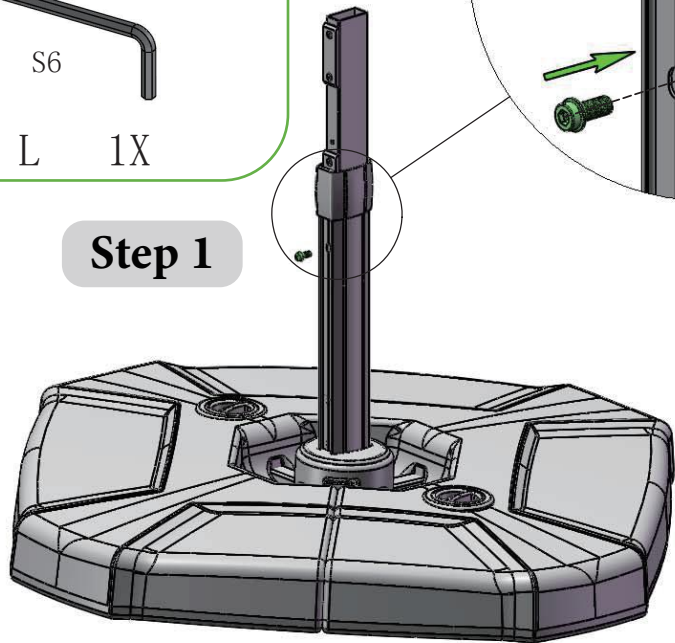
A 1X



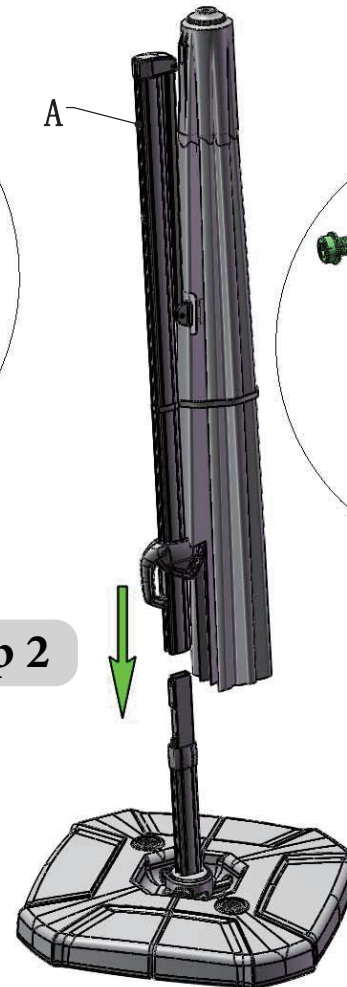
S6

L 1X

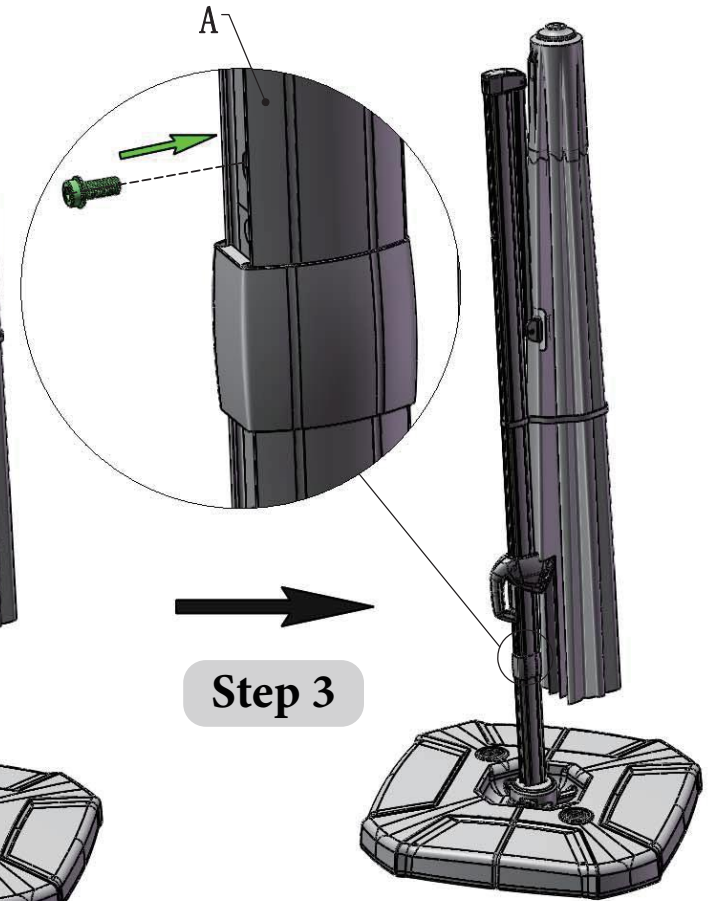
Step 1



Step 2



Step 3

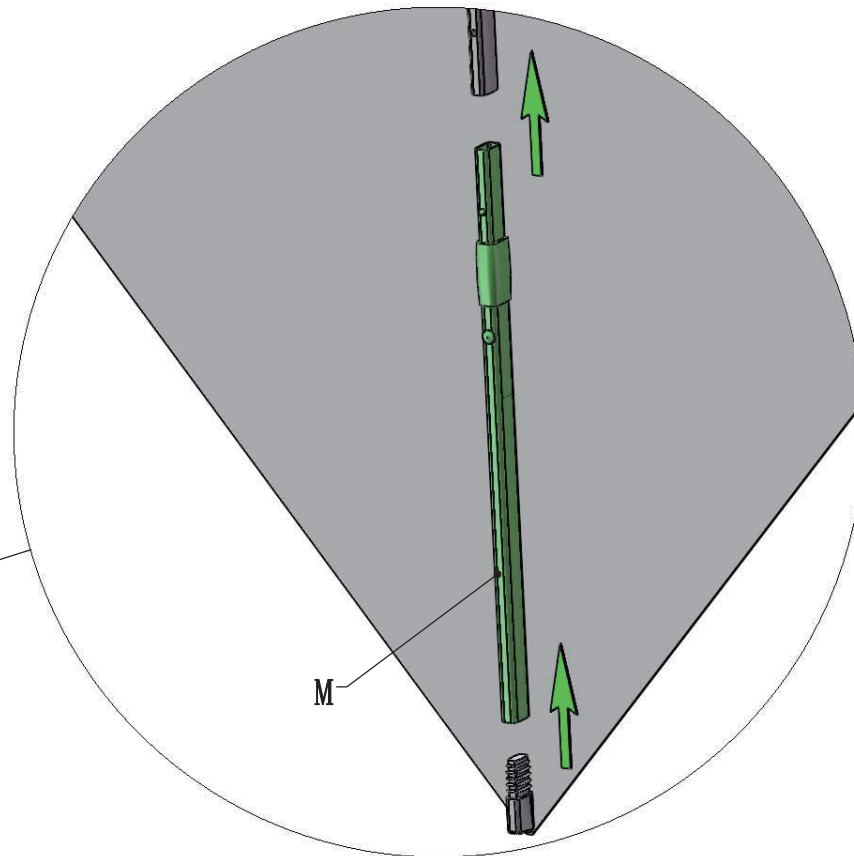
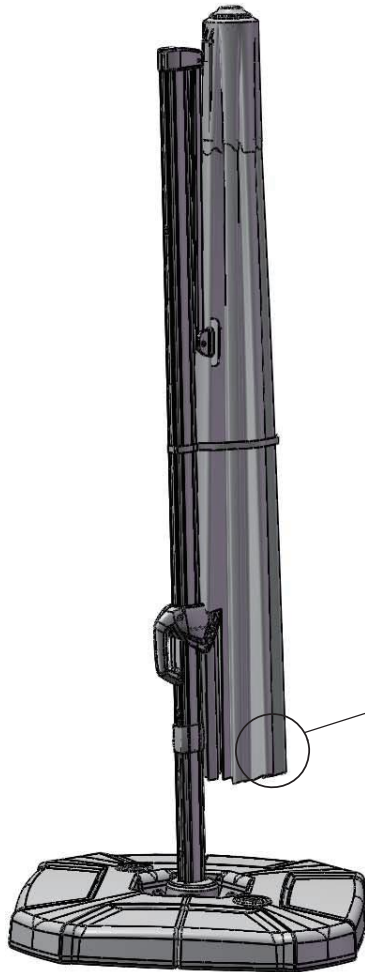


Umbrella Assembly



M 4X

Insert the 4 corner canopy connect tube #M.



Operation

CAUTION: Stop turning the crank handle as soon as the umbrella cover is completely open and the sleeve on the umbrella pole has reached its maximum height.

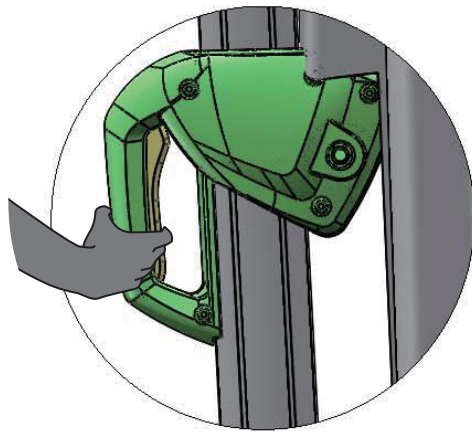
IMPORTANT: PRIOR TO USING THE TILT FUNCTION.

To avoid personal injury or damage to the umbrella, make sure the area behind you is clear and free from any furniture or structure.

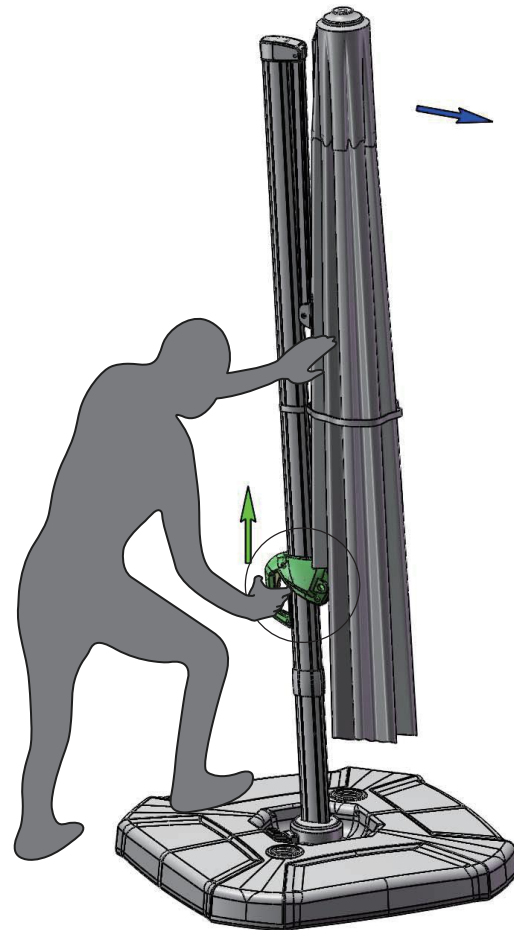
Operation

Slide the umbrella handle to the top of the pole by squeezing the trigger.

 :Open the canopy a little and stop.



squeeze
the
Trigger

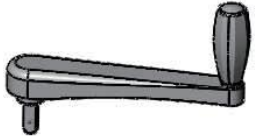


Be sure to remove all the
protective material inside

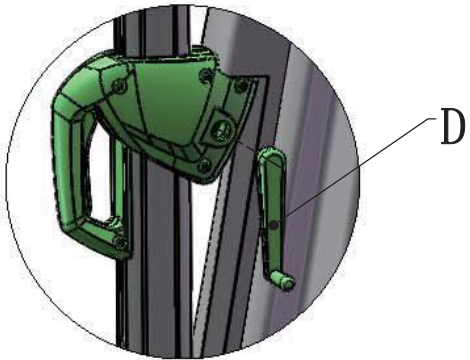


Note: Be mindful of the packaging in the umbrella canopy. It Must be removed before opening.

Operation



M 4X



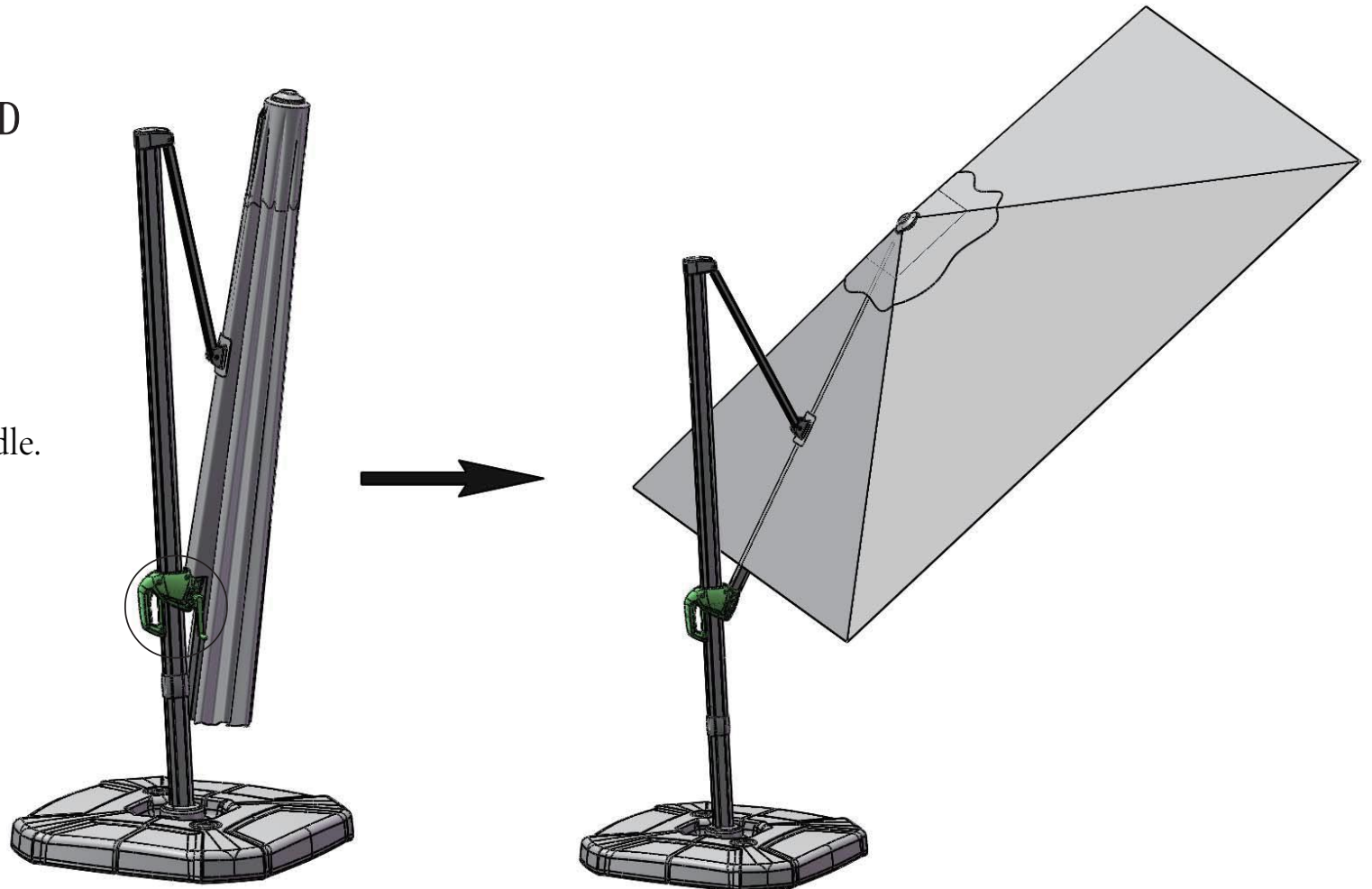
Step 1:

Insert the crank handle #D into the small hole of the handle.



Step 2:

Rotate the crank clockwise



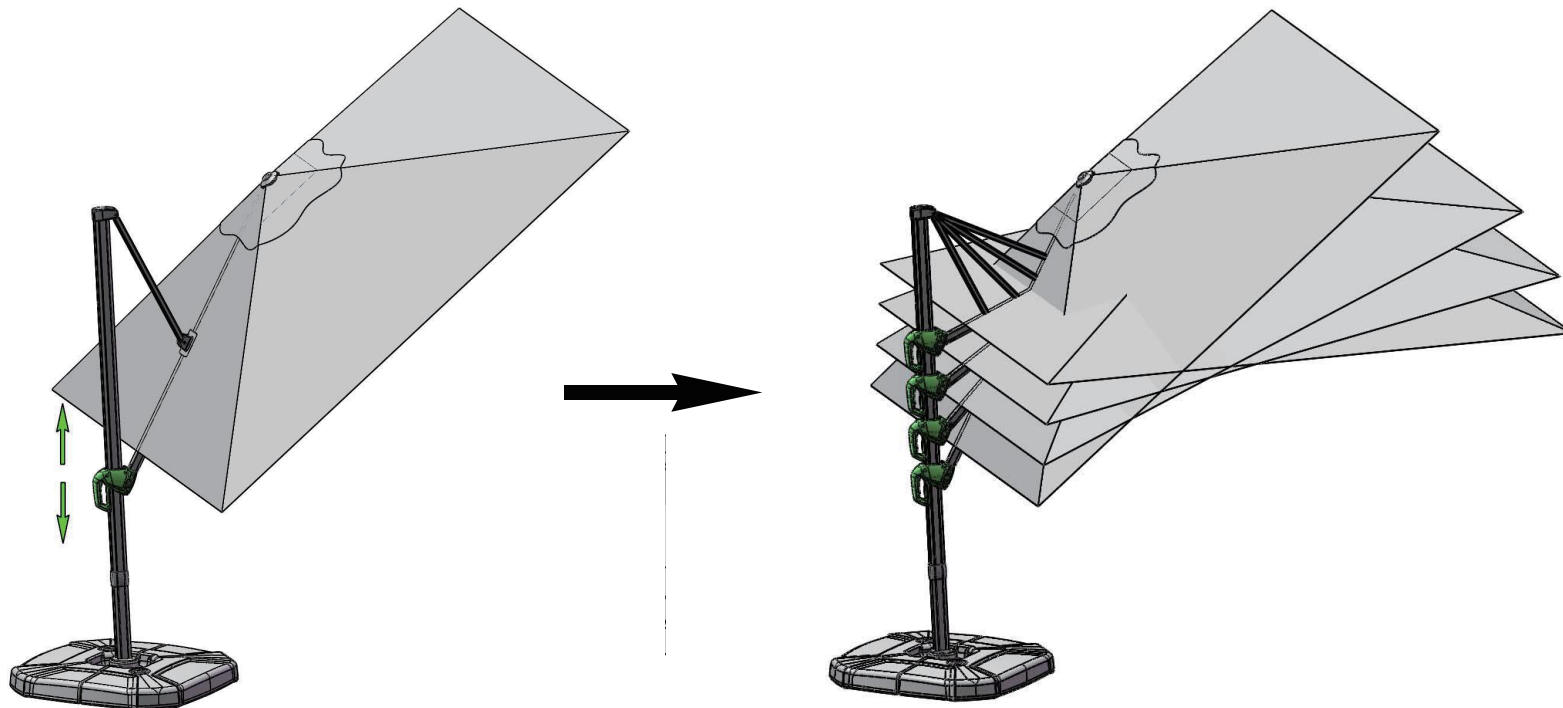
Operation

To Tilt Canopy

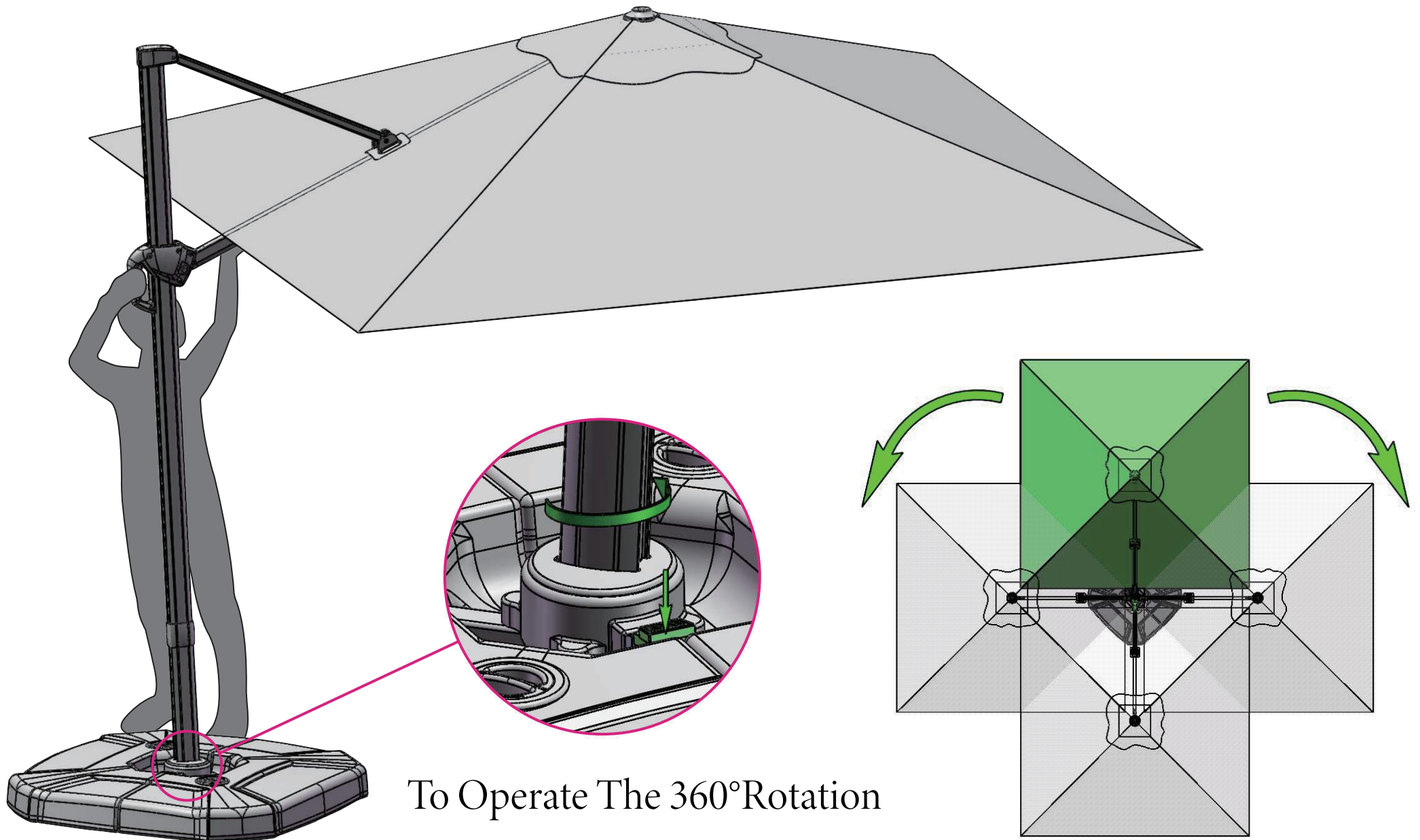
Press on the handle trigger and move the handle up and down to adjust the angle of the umbrella canopy.

IMPORTANT: PRIOR TO USING THE TILT FUNCTION.

To avoid personal injury or damage to the umbrella, make sure the area behind you is clear and free from any furniture or structure.

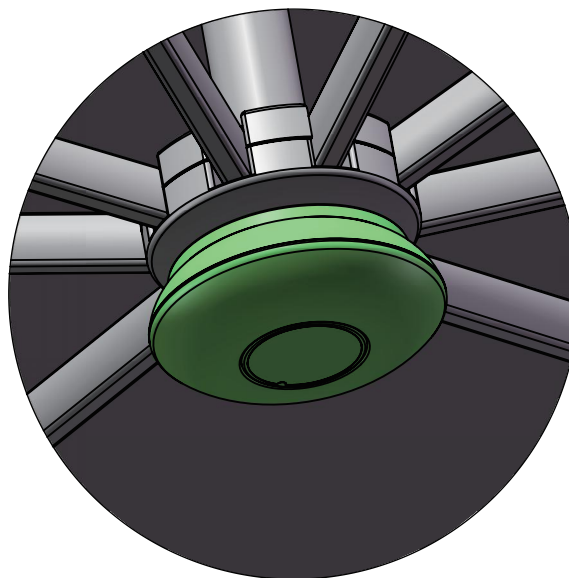
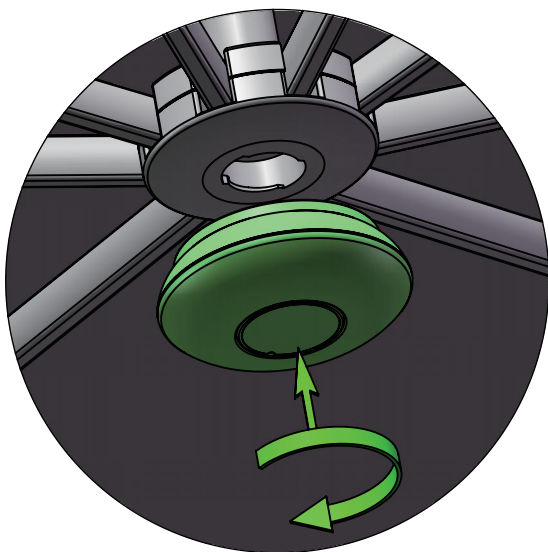
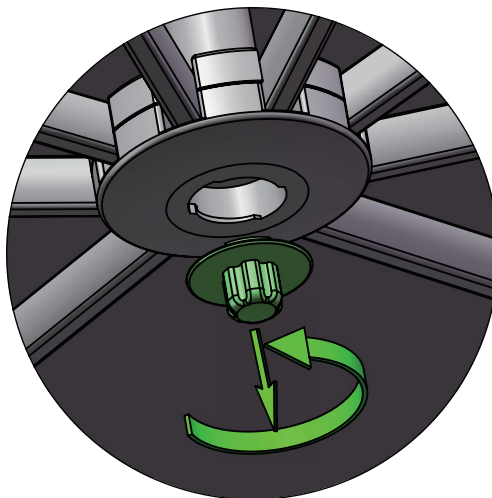
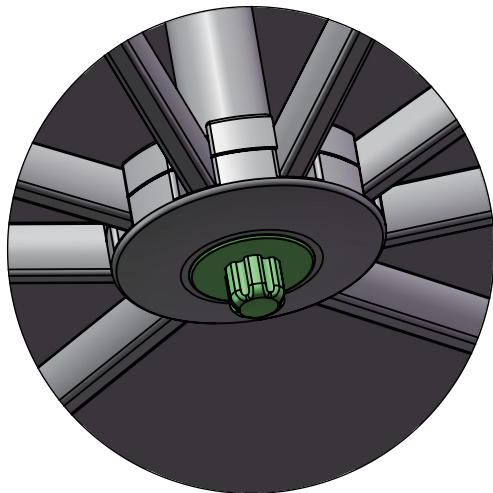


Operation



To Operate The 360° Rotation

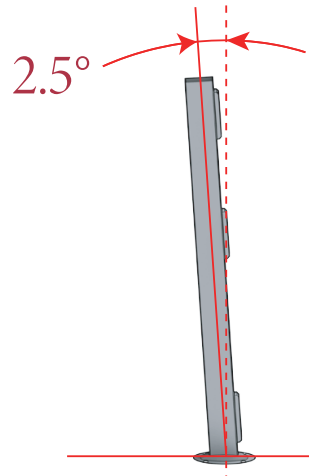
Operation



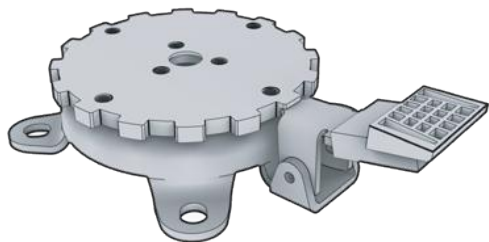
To install Umbrella Light
(Sold Separately)



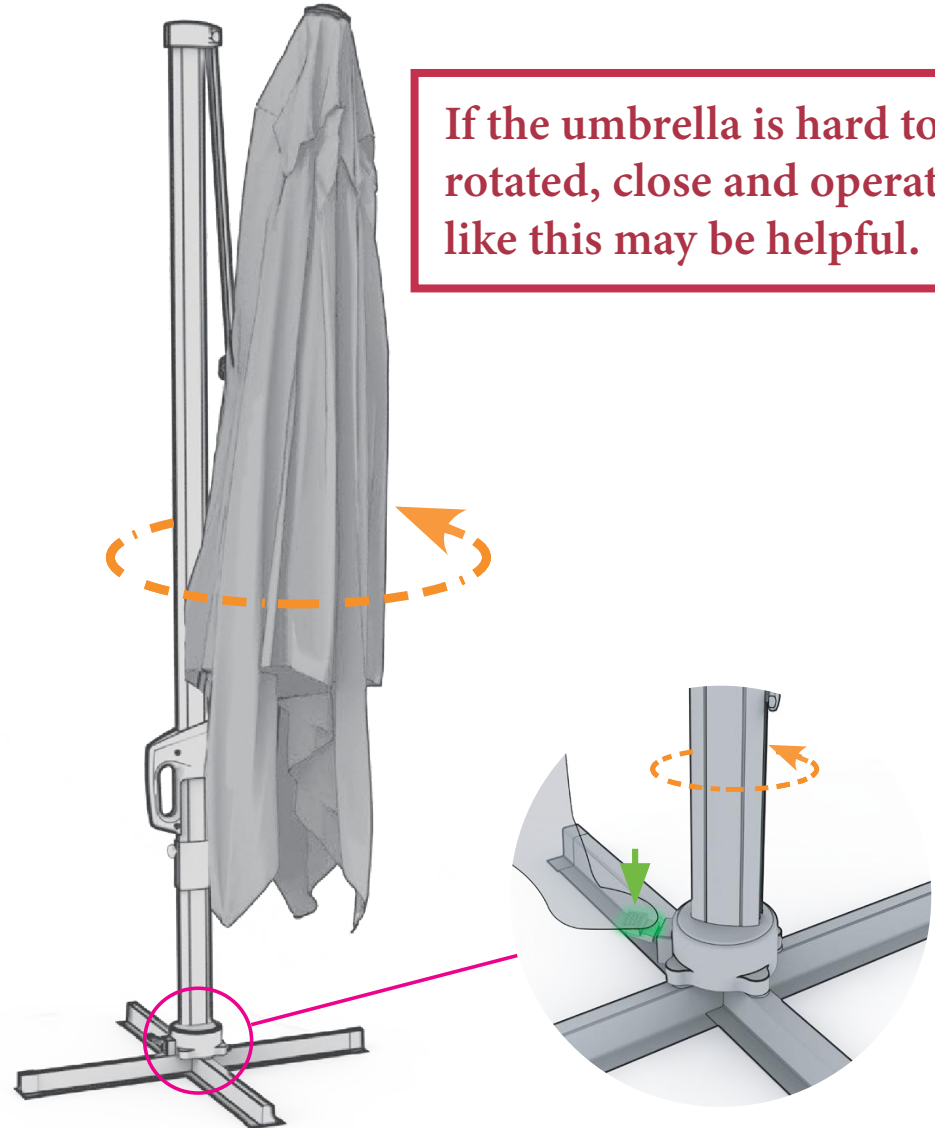
Notice



Umbrella base tube have 2.5° backward to the vertical for engineering purpose.



Foot Pedal won't be rotatable before the installation of umbrella.



If the umbrella is hard to be rotated, close and operate it like this may be helpful.

Notification

WARRANTY

- This warranty is extended to the original purchaser and applies to defects in materials and workmanship of your patio furniture provided your furniture is maintained with care and used only for personal, residential purposes.
- The frame is warranted to be free from defects in material or workmanship for one (1) year.
- Fabric is warranted for a period of three(3)years. Fading or discoloration resulting from exposure to the elements, chemicals, or from spills is not covered.

Notification

SAFETY PRECAUTIONS

Close the umbrella in windy conditions or when a storm approaches.

Never allow the umbrella to flap in the wind. This could damage the canopy.

Properly store umbrella when not in use. Close umbrella, and cover umbrella with a protective cover.

Do not leave an open umbrella unattended. If damage occurs, this is not covered by the warranty.

When adjusting the umbrella, make sure that no person(s) or item(s) is close to the umbrella. This is important to prevent injury or material damage.

Notification

SAFETY PRECAUTIONS

When not in use, close and cover umbrella with a protective cover.

If necessary, clean the fabric with lukewarm water.

Allow a wet canopy to dry slightly opened, but do not leave unattended.

Wipe sliding marks on the aluminum poles with a damp cloth.

Winter Storage: Store in A Dry Place.