



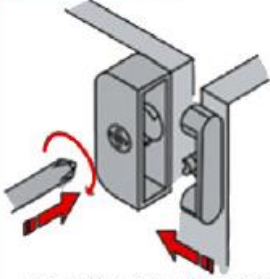


CODE	A	B	C	D
Iron				
Number	6PS	8PS	8PS	32PS

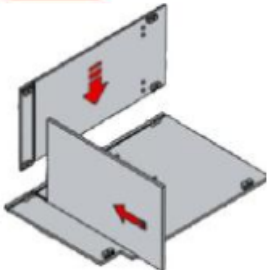
**BASIC**



.....

Set female cam into place on top of male cam, then turn metal claw mechanism with phillips screwdriver to lock into place

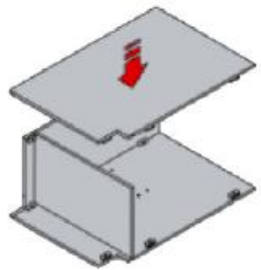
**Step 1**



.....

Slide the sides of the cabinet and lock the fasteners in place.

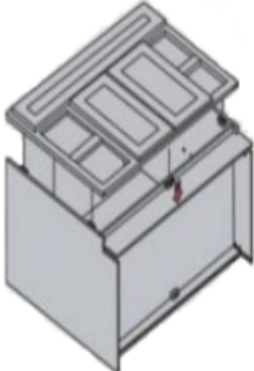
**Step 2**



.....

Attach the fourth side and lock the fasteners in place.

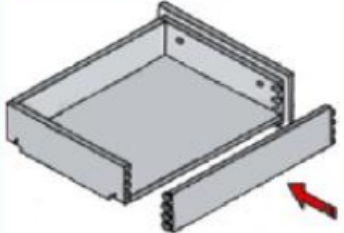
**Step 3**



.....

Line up fasteners on the sides of the cabinet with fasteners on the back side of the cabinet, locking the fasteners in place.

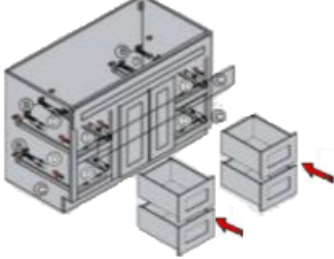
**Step 4**



.....

Repeat the last procedure for the drawer by fitting tongue and groove joints in place.

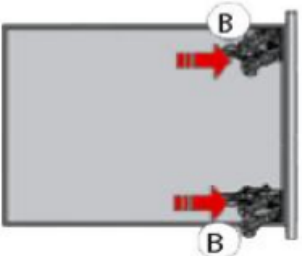
**Step 5**



.....

Attach the sliding rails into position as in steps 6 and 7


**Step 6**



.....

Attach the metal brackets to the back side.

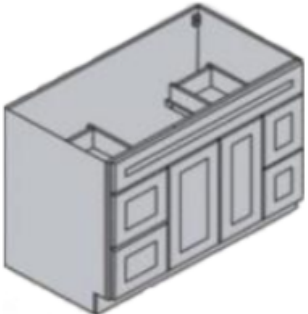
**Step 7**



.....

Put the sliding rail on the brackets and fasten with the included screws.

**Step 8**



.....

Enjoy the Completed Project.