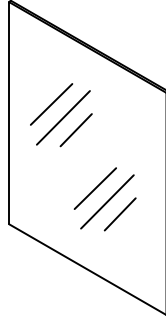
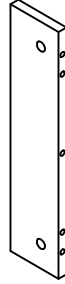


Ax1



Bx1



Cx1



Dx2



Ex2



Fx4



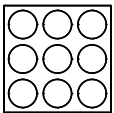
Gx3



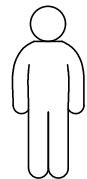
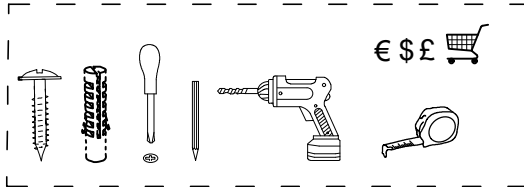
Hx8



Ix9



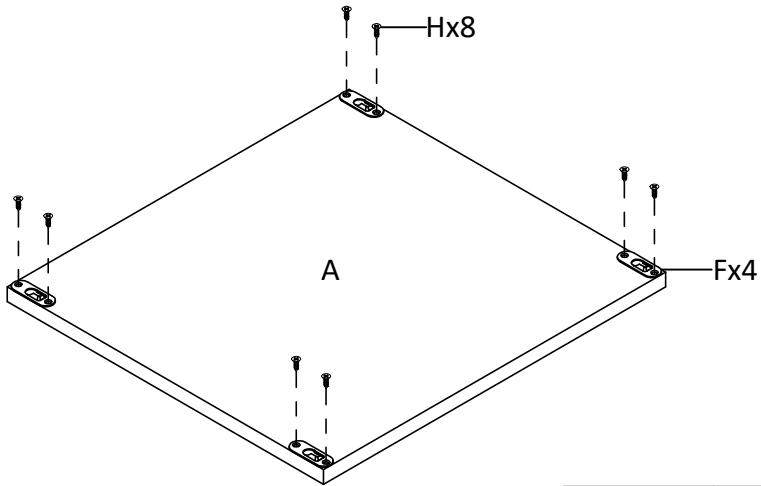
Jx1



mm
inch

x1

①



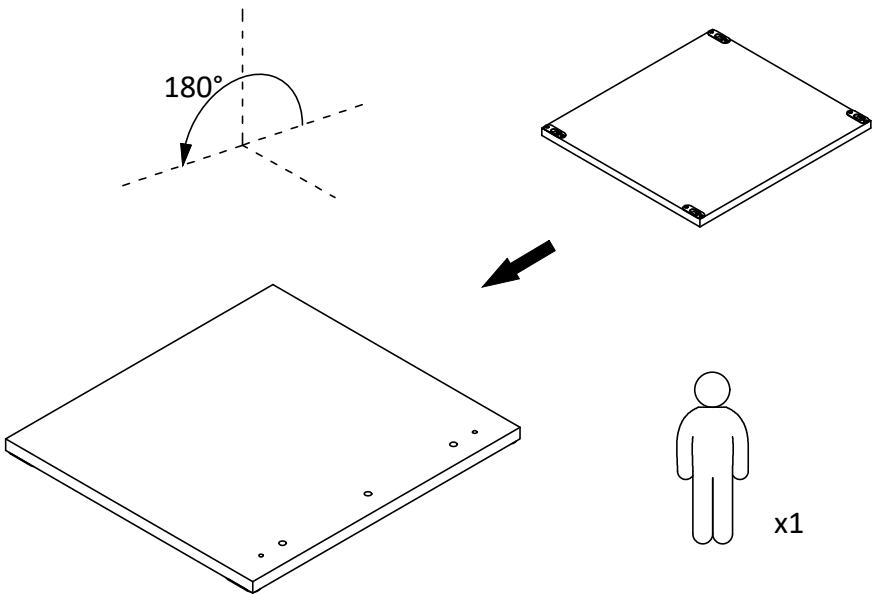
Fx4

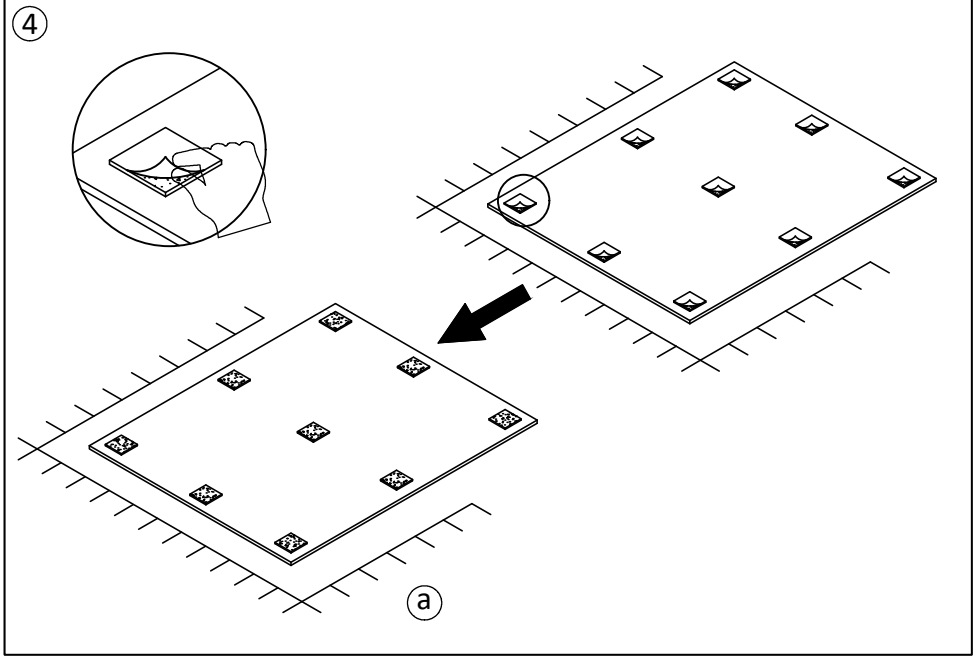
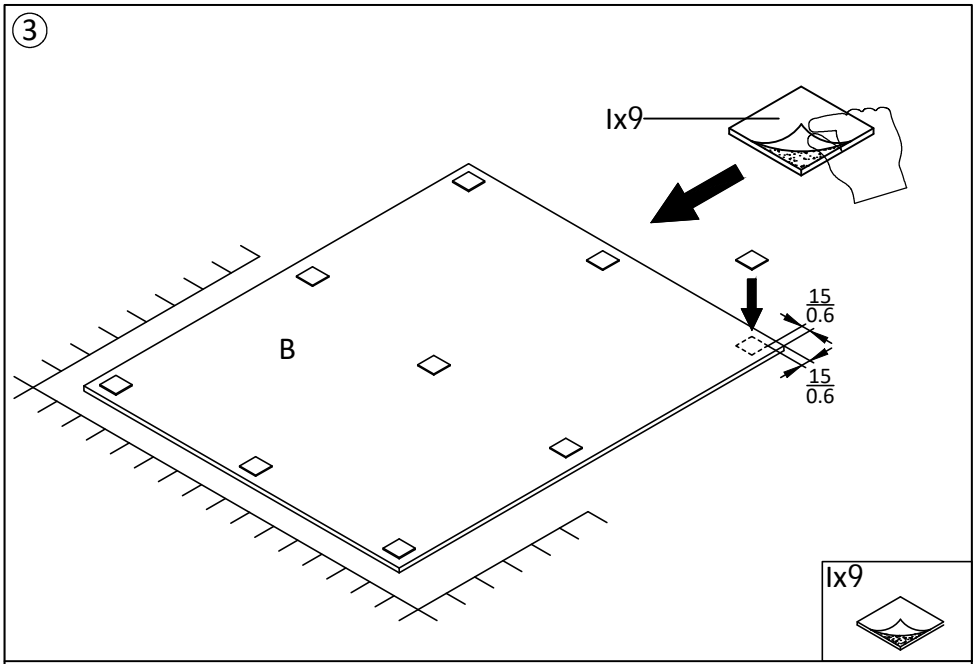


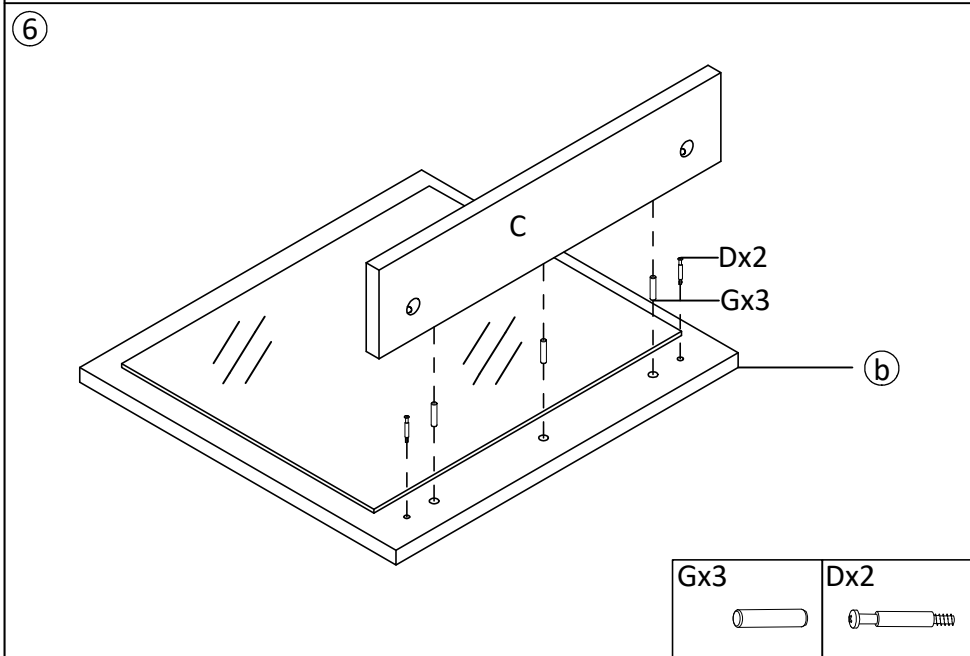
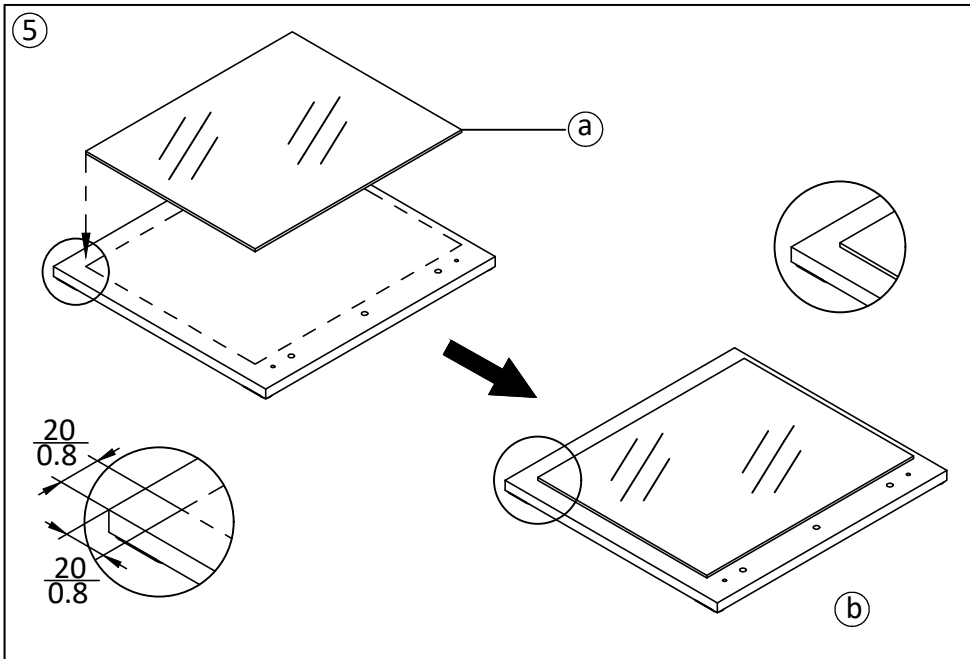
Hx8

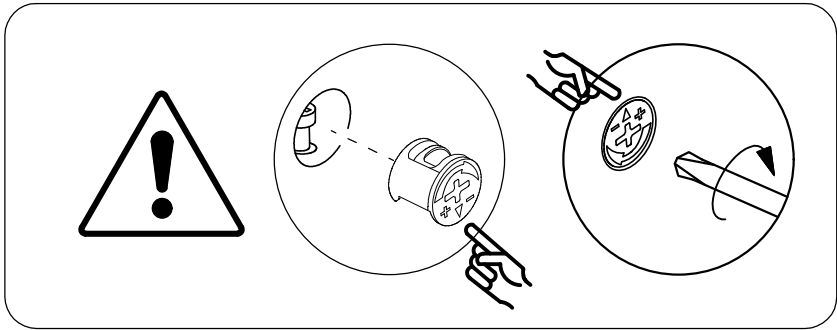


②

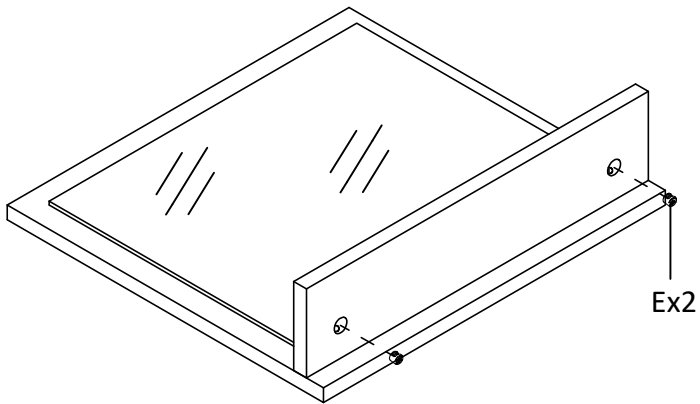








⑦



Ex2



