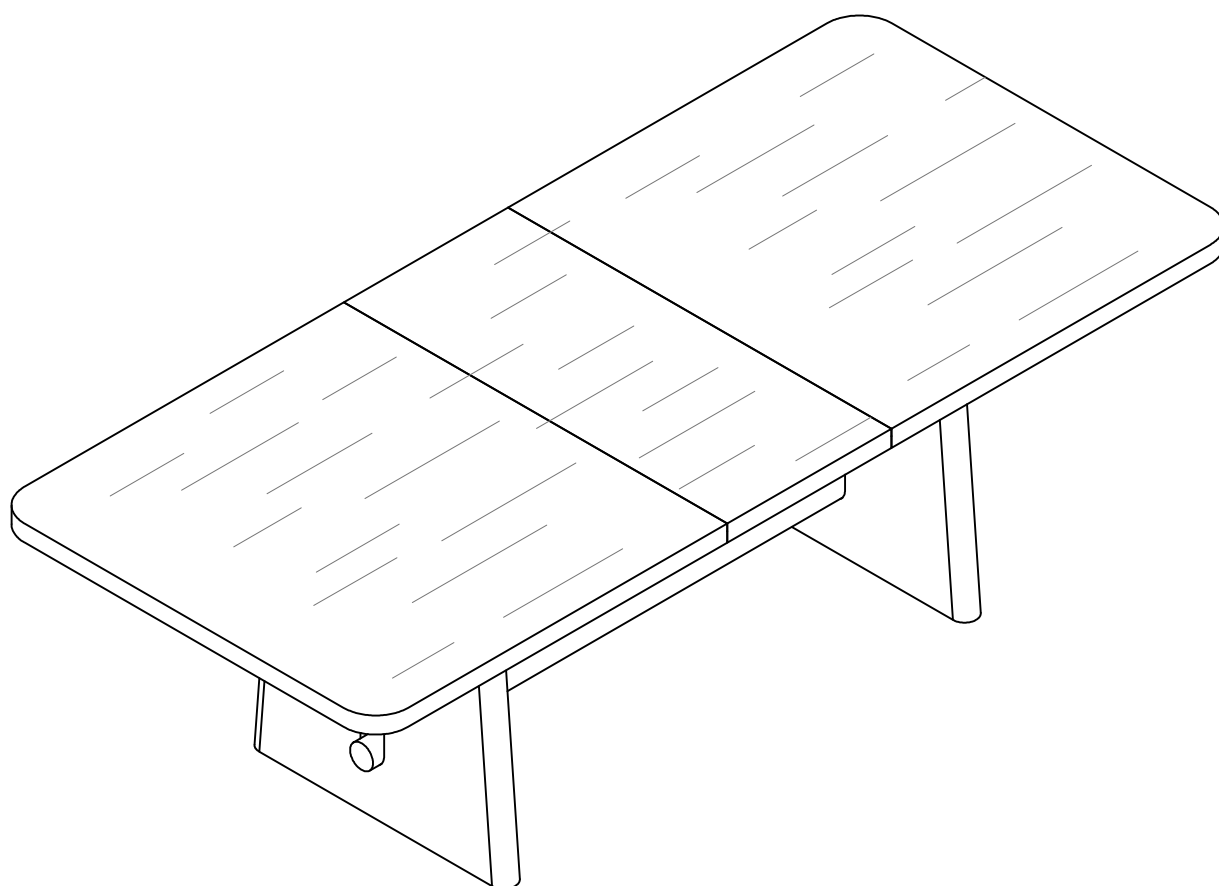


Owner Manual



MAINTENANCE AND WARNINGS

Thank You For Choosing Our Furniture.

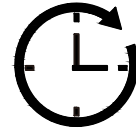
Please read the instructions and warnings carefully before use, to ensure safe and satisfactory operation of this product.

NOTE :

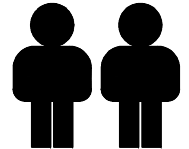
This brochure contains IMPORTANT safety info. Please read and keep it for future reference.



Weight Limit
207 LBS



Installation:
30 minutes.







Two Person



Before You Start

Please follow the steps below:


-  Unbox the package and check if all parts and accessories are complete.
-  If you find something missing, stop assembly and contact your supplier immediately.
-  Please do not completely tighten all the hardware until the entire assembly is completed! Be sure to tighten all the hardware once the assembly completed.
-  NOTE: Should be assembled on soft surface to keep balance.


After-Sales Service


- If you encounter any issues or need technical support during use, please contact our after-sales team. We offer long-term maintenance and warranty services.



Warranty

-  We strive to offer high , quality products, and we also try our best to satisfy each and every customer that orders from us with product or service as needed. Each customer must provide a record of their order such as the order number, or item receipt for any items that are out of the warranty period you may also still receive replacement parts by purchasing them with our company if they are available.

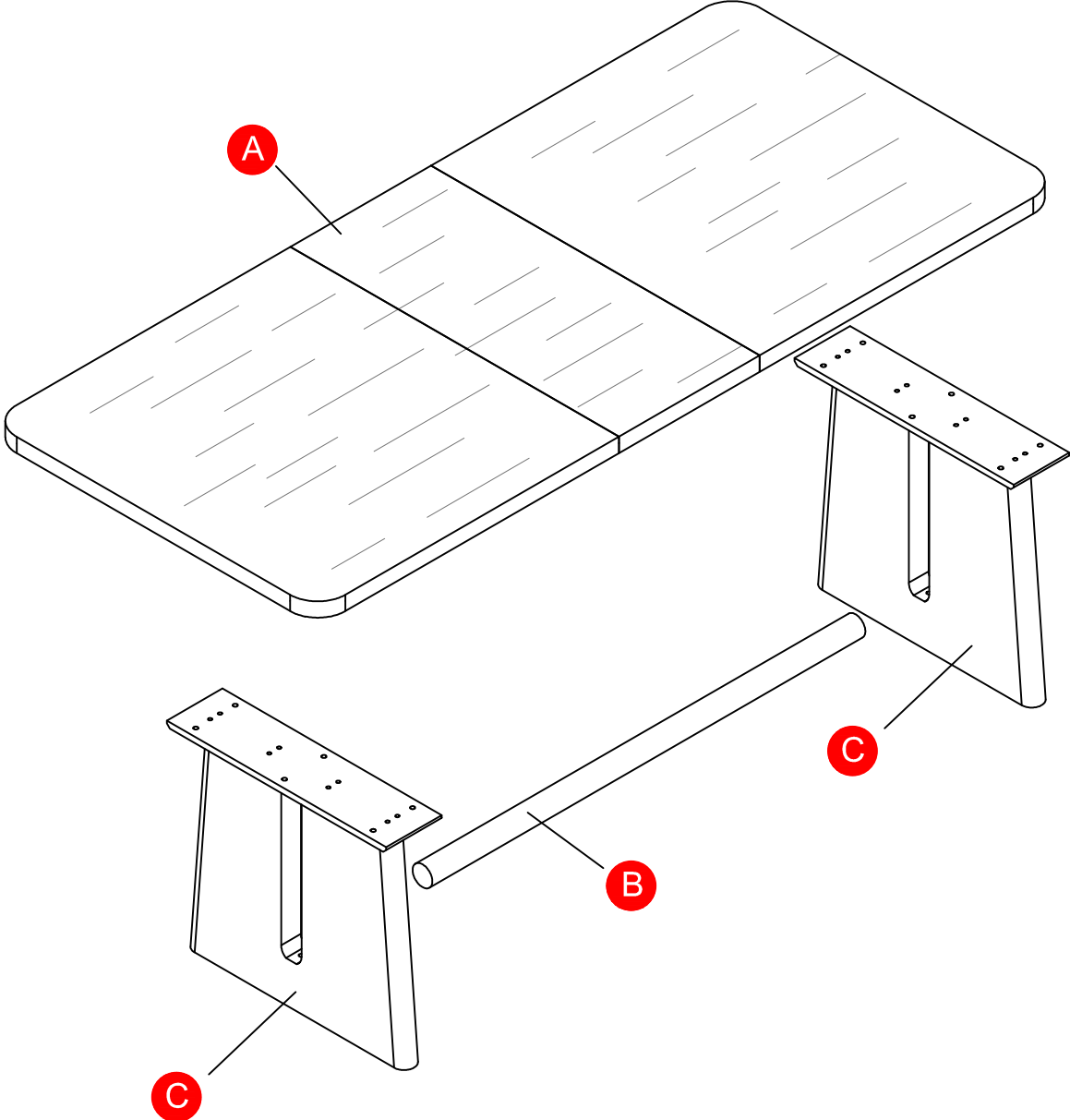
-  Are you having difficulty with assembly? Missing parts?

-  For return, please check the return policy with the retailer or market place you bought from. Appreciate your purchasing from us. Pop up your life by our furniture piece!

Daily Maintenance

- Keep furniture away from heat.
- Do not use cleaning agents containing acids, alkalis, or corrosive substances, as they may damage the surface. It is recommended to use neutral cleaning agents or specialized furniture cleaners.
- Do not place furniture under direct sunlight, material will possibly fade over time.
- Do not use on site dry cleaning machine.
- Children should not climb or jump on the furniture.
- Do not write on furniture without a padded barrier to protect the surface.
- Not for commercial use, for residential use only.

Exploded Diagram



Parts List

A x1

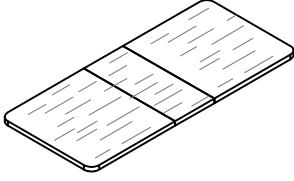
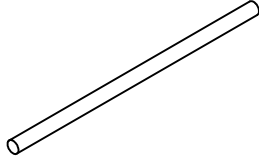


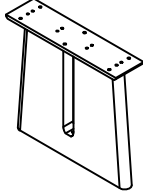
Table top

B x1



Stretcher

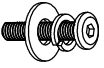
C x2



Side frame

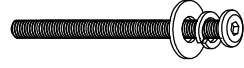
Hardware List

1 x12+1



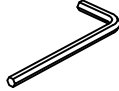
Bolts-Ø5/16"x45mm

2 x2



Bolts-Ø5/16"x127mm

3 x1





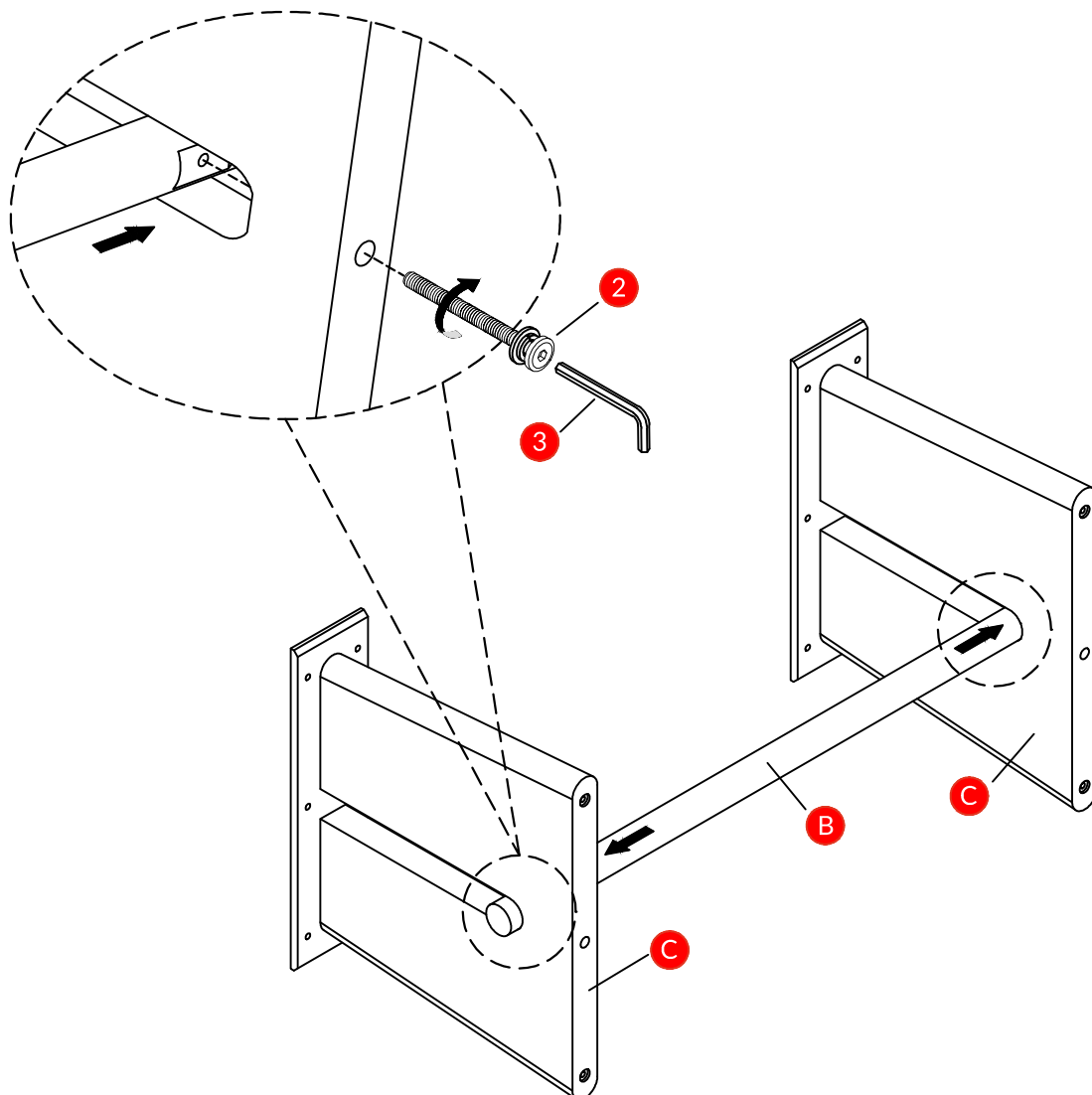
Allen key - 80*40*4mm

Assembly Instructions

Step 1

Insert the stretcher (B) into side frame (C), make sure all holes align aligned, using bolt (2), then tighten the bolt with an Allen key (3).

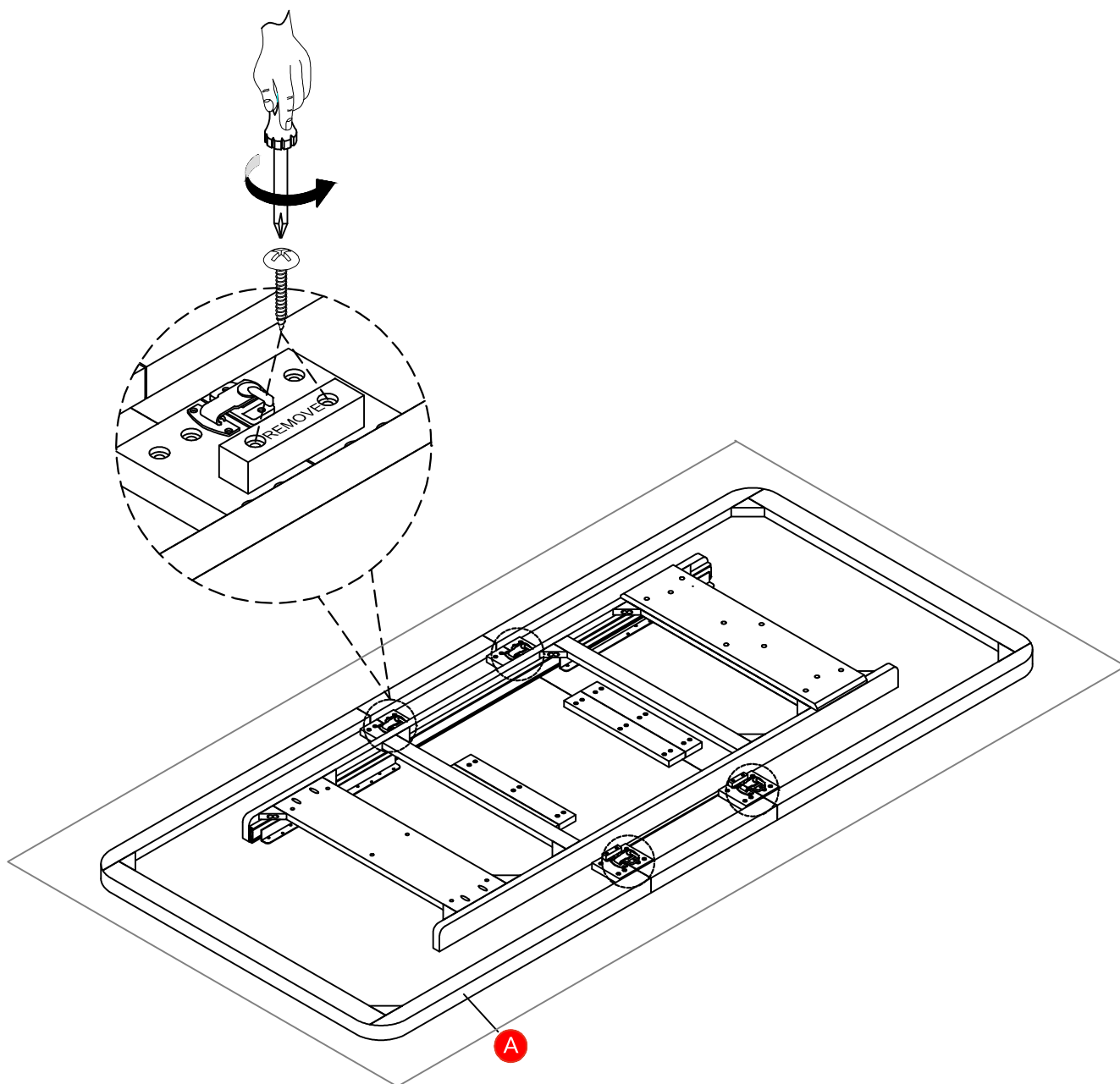
2	 x2	Ø5/16"x127mm
3	 x1	80*40*4mm



Step 2



Lay the table top (A) upside down on a non abrasive working surface.

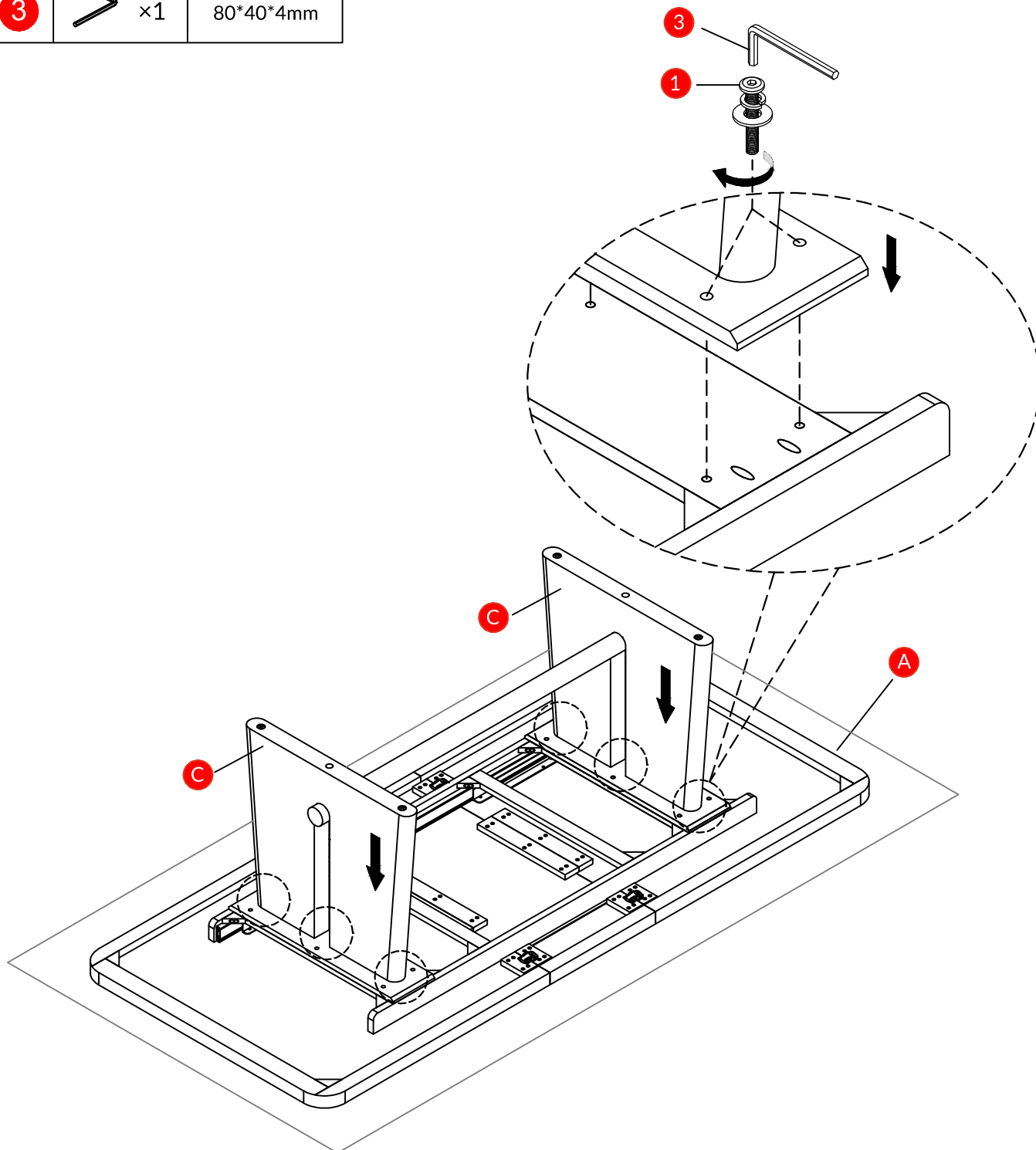
Remove 4 wood blocks on the top by taking out 8 wood screws.



Step 3

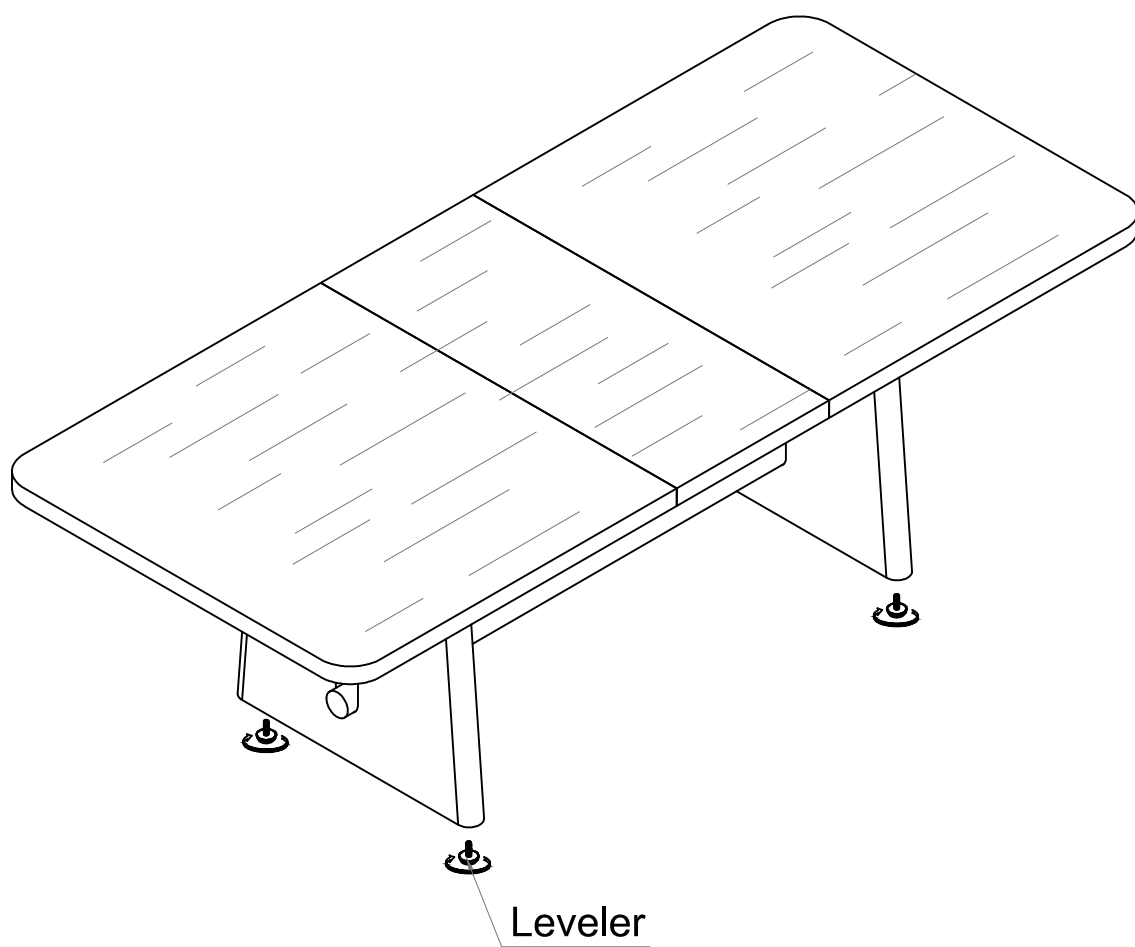
Assemble the completed parts from step 1 into the table top (A), ensuring all holes are aligned, using bolts (1), then tighten the bolts with a Allen key (3).

1	 ×12	Ø5/16"x45mm
3	 ×1	80*40*4mm



Step 4

Adjust the leg levelers as needed.



Functions Introduction

Turn the table locks under the table top to the open position as shown below. and pull the table top to both sides out completely. Then put the leaf center in and push the table top until the table top is fully closed. Turn the table locks to the locked position. Following shown below.

