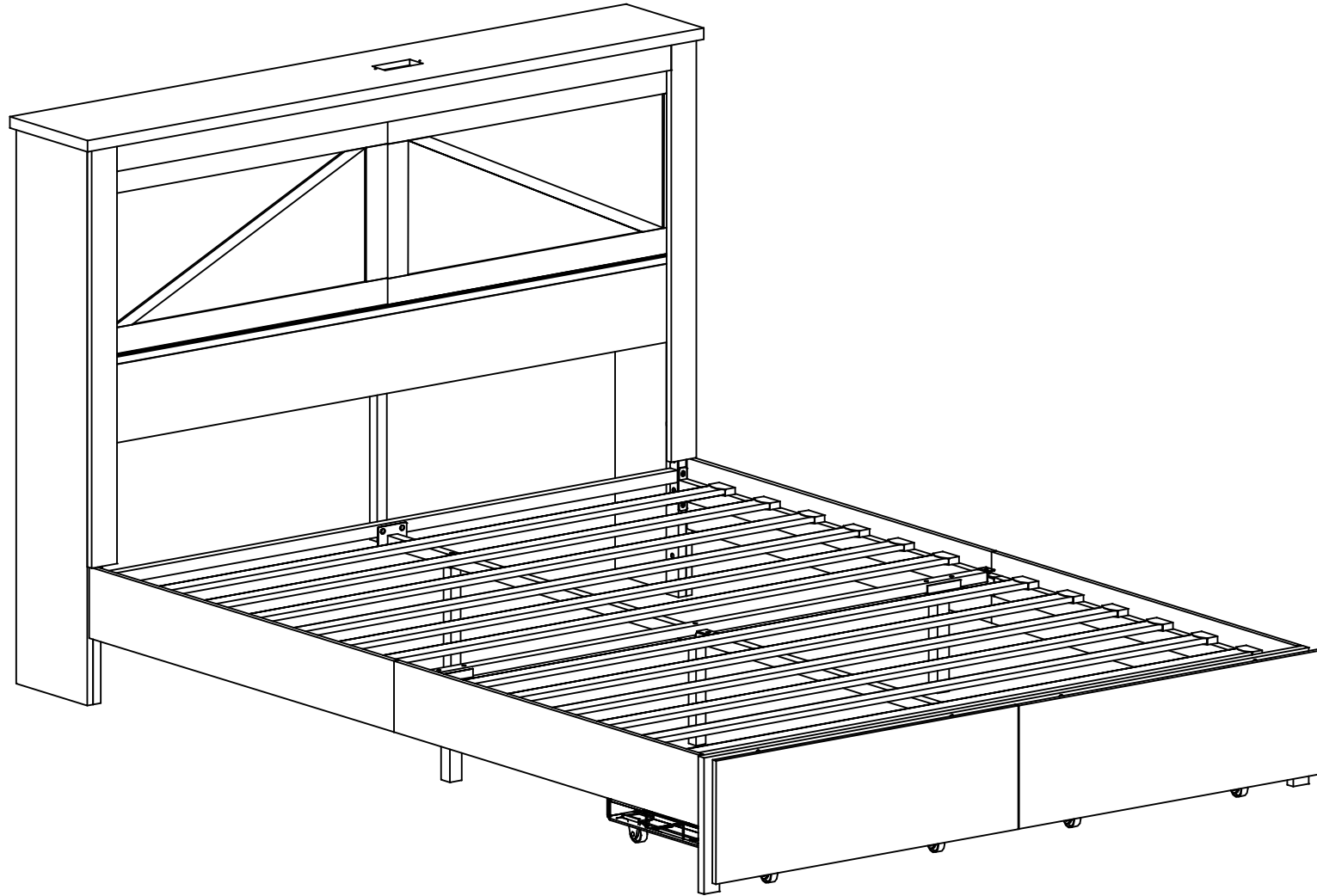
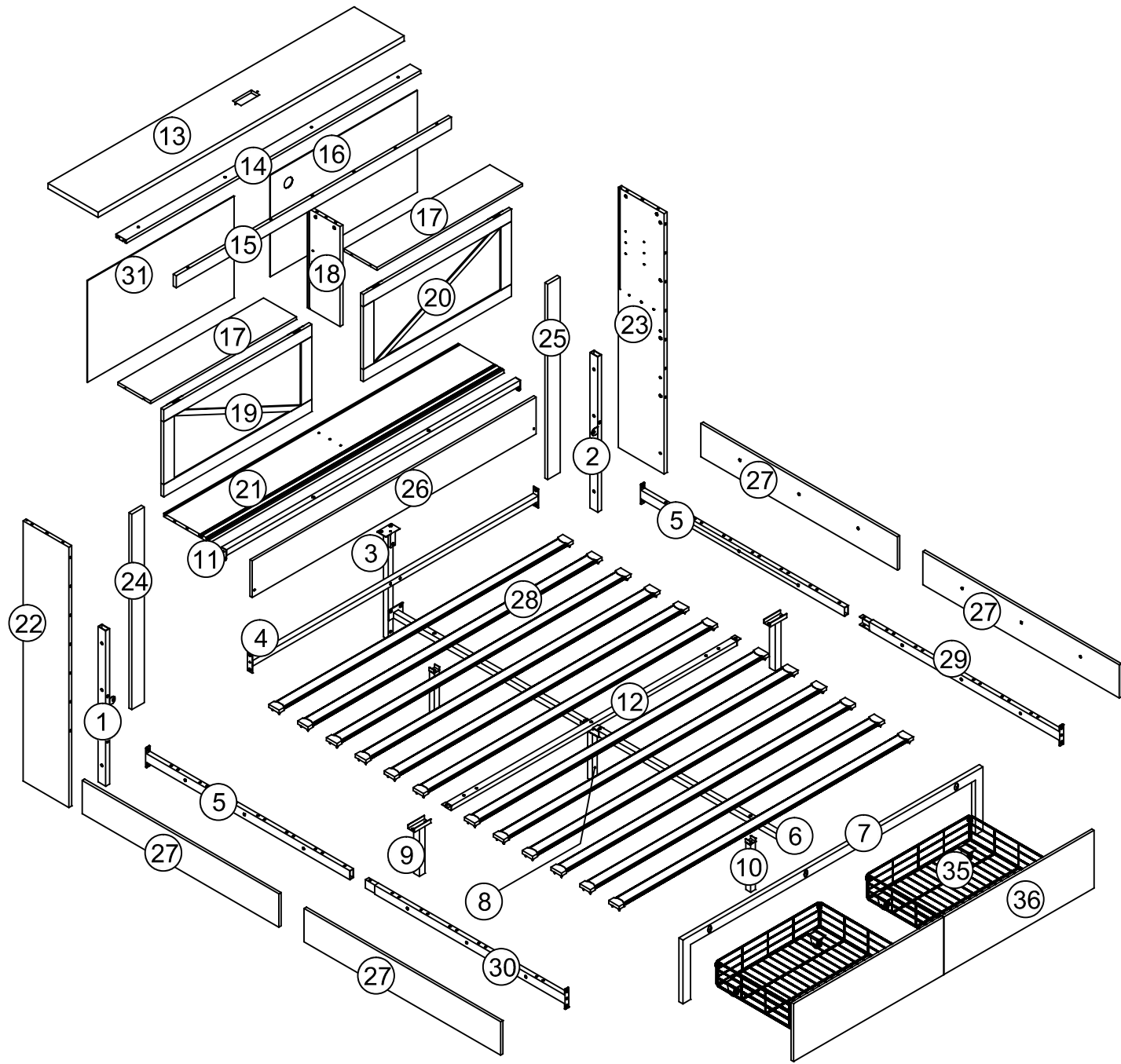




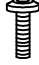
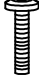
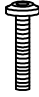

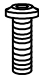
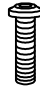
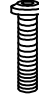
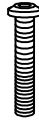





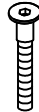
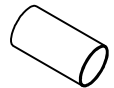

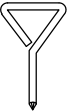
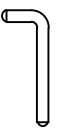
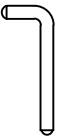
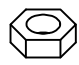


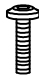
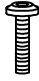


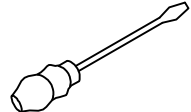

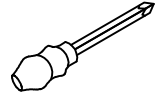
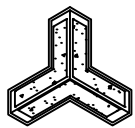
Assembly Instruction





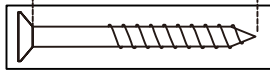
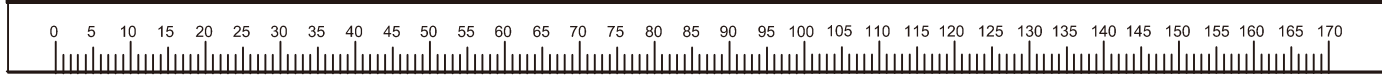
Assembly Instruction

Hardware parts

 M6*10 (A) x25	 M6*20 (B) x6	 M6*28 (C) x13	 M6*50 (D) x3	 M6*55 (E) x5	 M8*10 (F) x3	 M8*20 (G) x18
 M8*30 (H) x7	 M8*35 (I) x10	 M8*50 (J) x5	 M3*16 (K) x18	 (L) x24	 (M) x24	 (N) x15
 (O) x9	 M5*35 (P) x3	 (Q) x4	 M3*12 (R) x3	 (S) x1	 M6 (T) x1	 M8 (U) x1
 (V) x3	 (W) x1	 M5 (X) x1	 M6*35 (Y) x3	 M6*45 (Z) x2	 (38) x18	 (39) x9
 (40) x1	 M4*35 (41) x5	 (42) x1	 (43) x3			

Assembly Instruction

Ruler-Use this ruler to help correctly identify the screws.







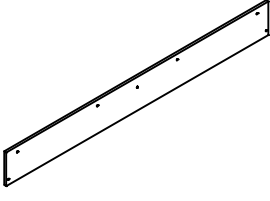
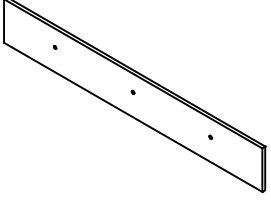
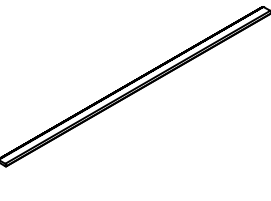
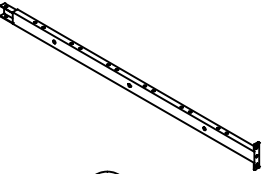
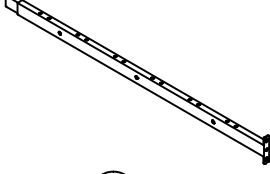
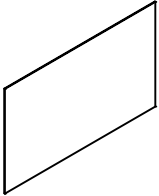


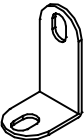
The length of the screw is measured from the rod part excluding the screw cap (30mm screw shown).

Part list

 ① x1	 ② x1	 ③ x1	 ④ x1	 ⑤ x2	 ⑥ x2	 ⑦ x1
 ⑧ x1	 ⑨ x2	 ⑩ x2	 ⑪ x1	 ⑫ x1	 ⑬ x1	 ⑭ x1
 ⑮ x1	 ⑯ x1	 ⑰ x2	 ⑱ x1	 ⑲ x1	 ⑳ x1	 ㉑ x1

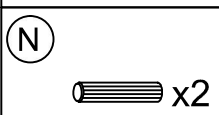
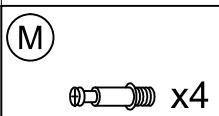
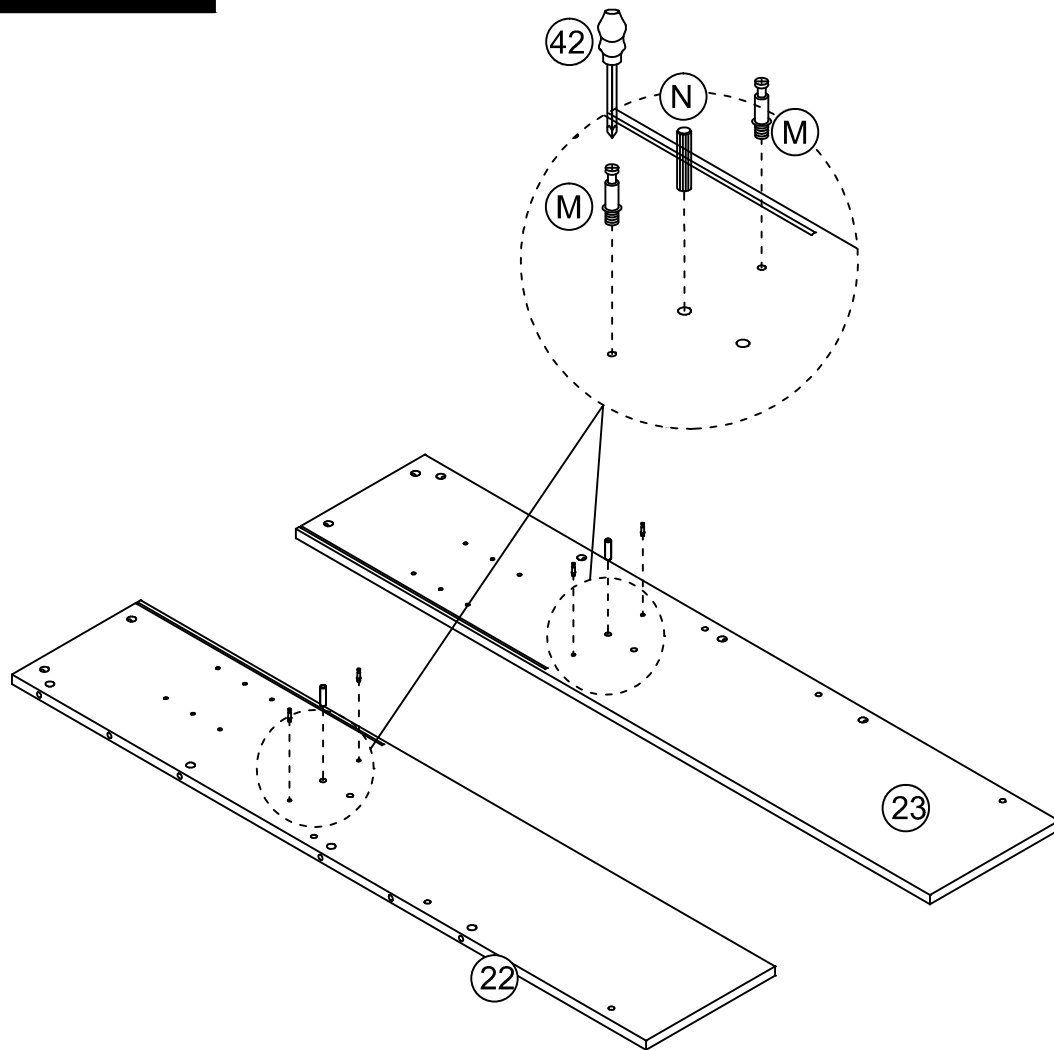
Assembly Instruction

Part list

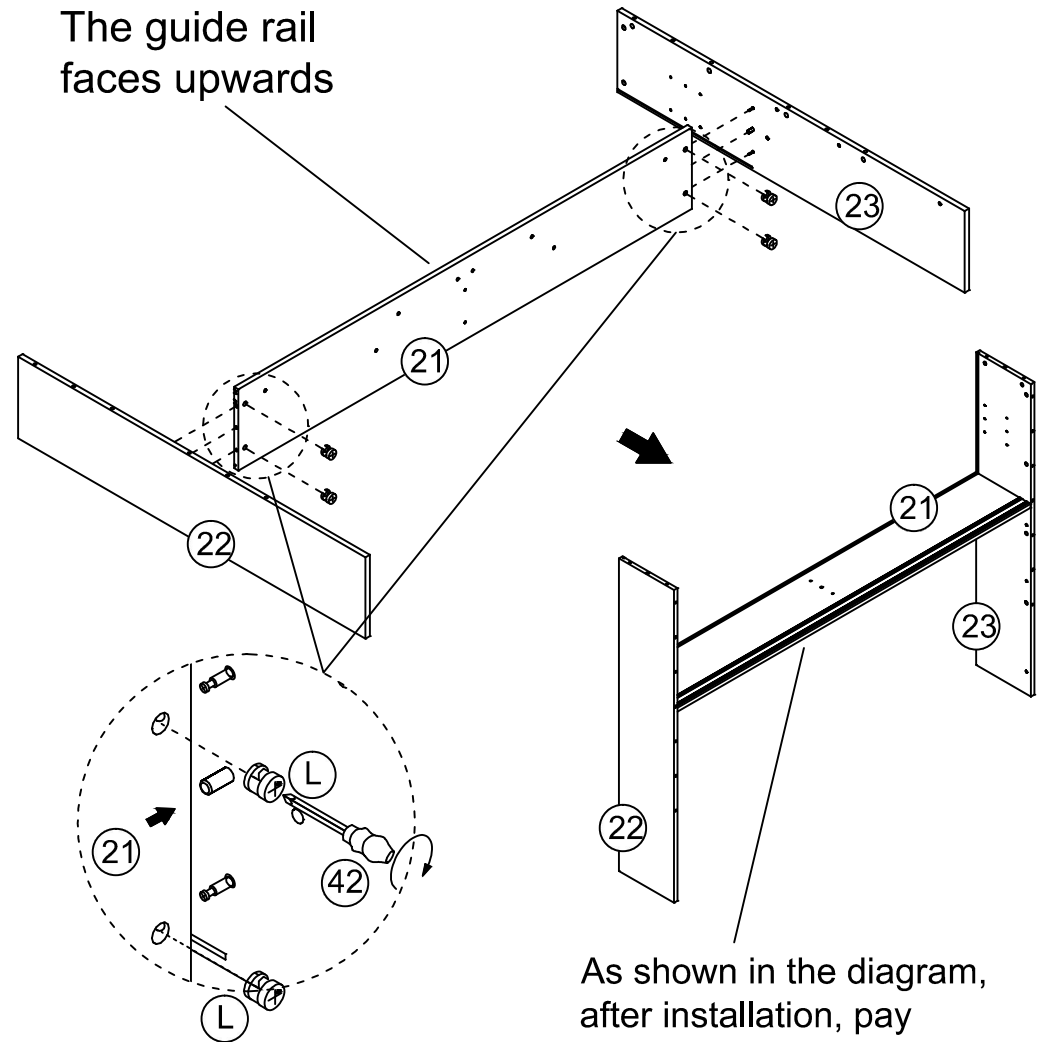
 ②② x1	 ②③ x1	 ②④ x1	 ②⑤ x1	 ②⑥ x1	 ②⑦ x4	 ②⑧ x12
 ②⑨ x1	 ③① x1	 ③② x1	 ③③ x1	 ③④ x24	 ③⑤ x4	

Assembly Instruction

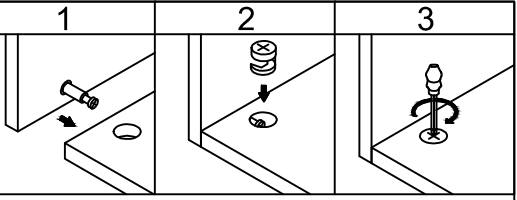
Step 1



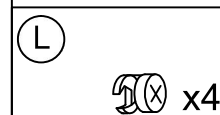
Step 2



The guide rail faces upwards

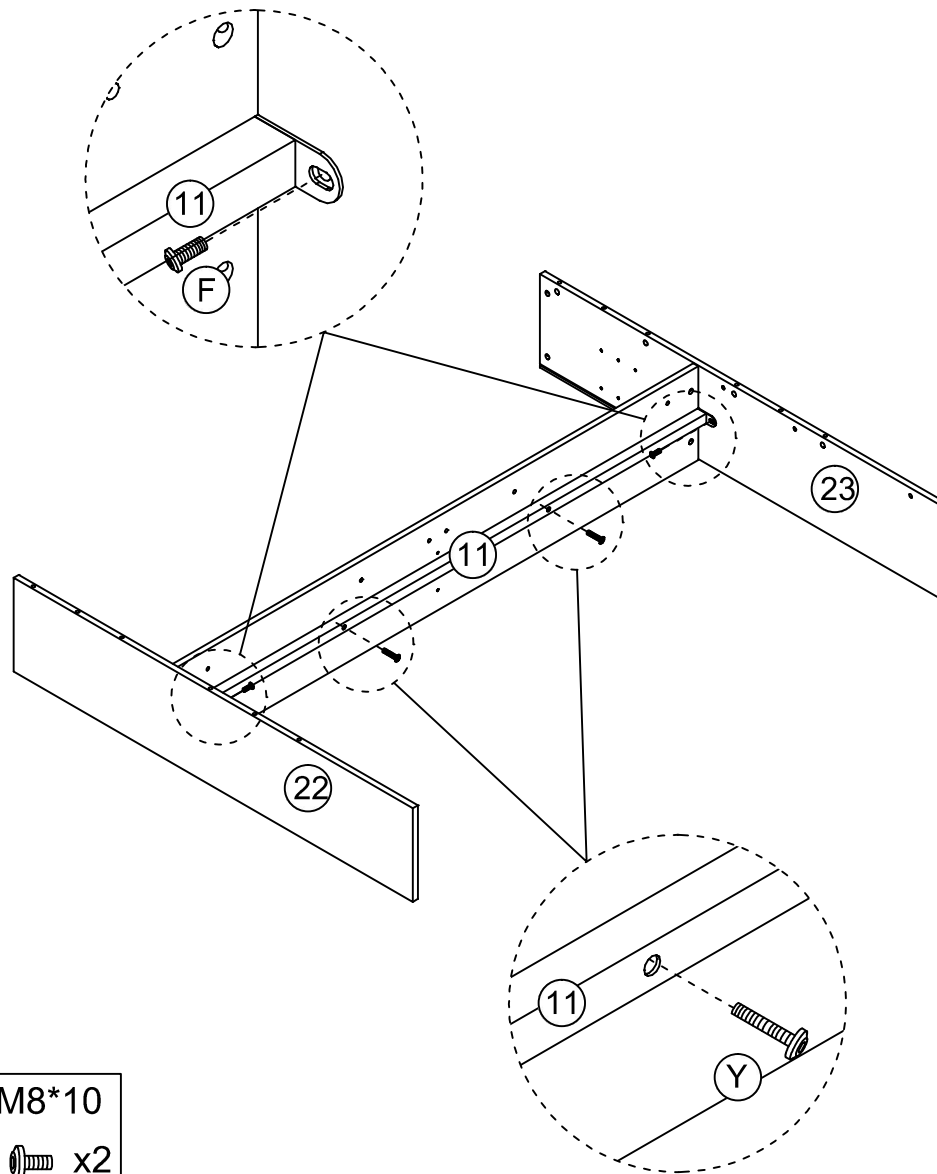


As shown in the diagram, after installation, pay attention to the position distribution of the grooves on part 21



Assembly Instruction

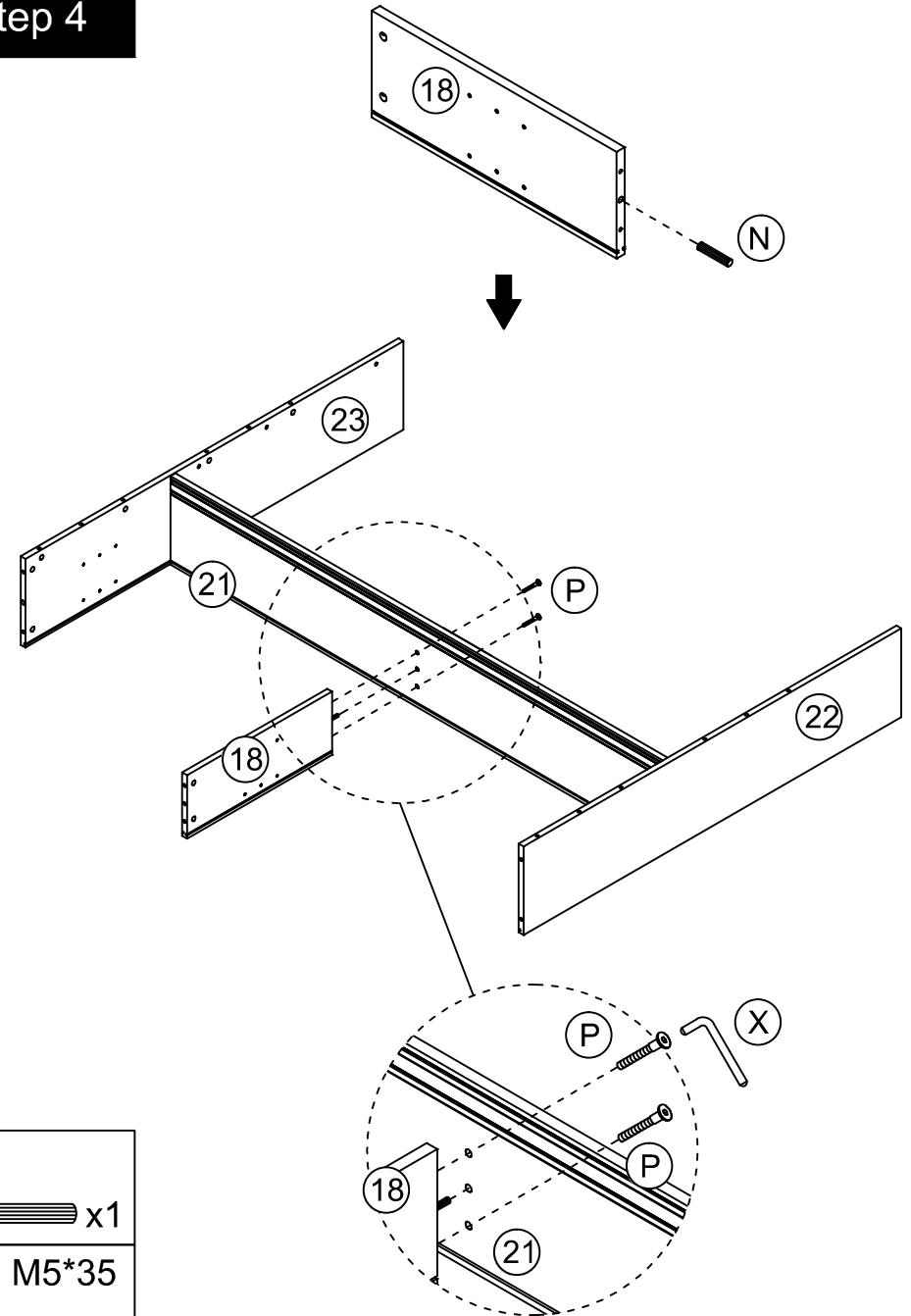
Step 3



(F) M8*10
x2

(Y) M6*35
x2

Step 4

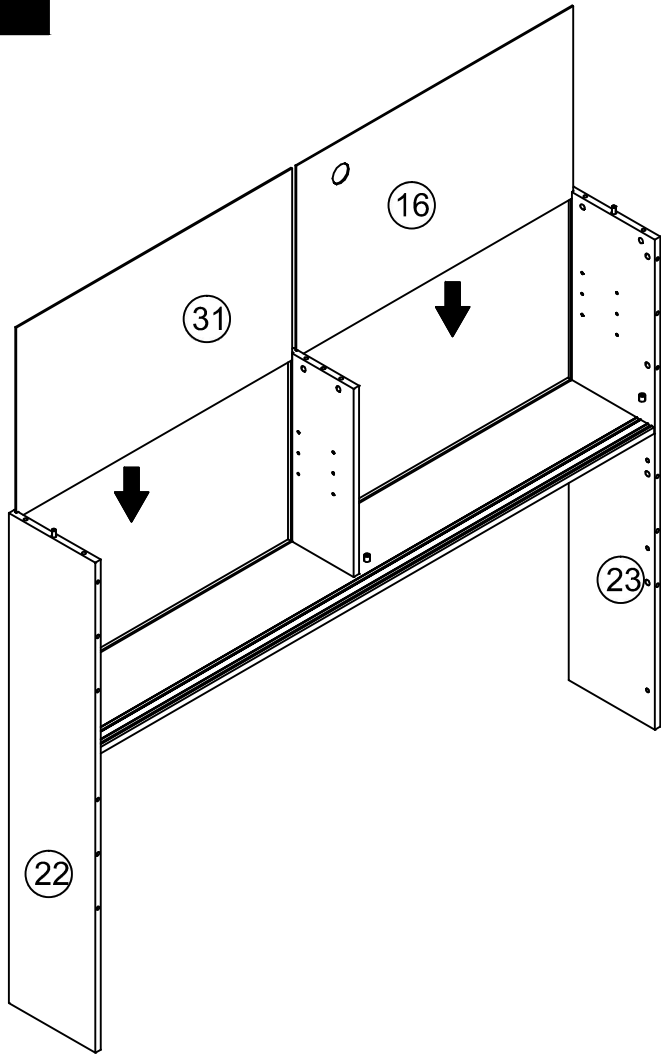


(N) x1

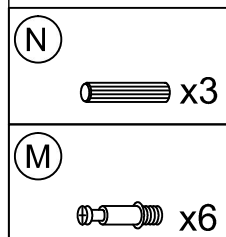
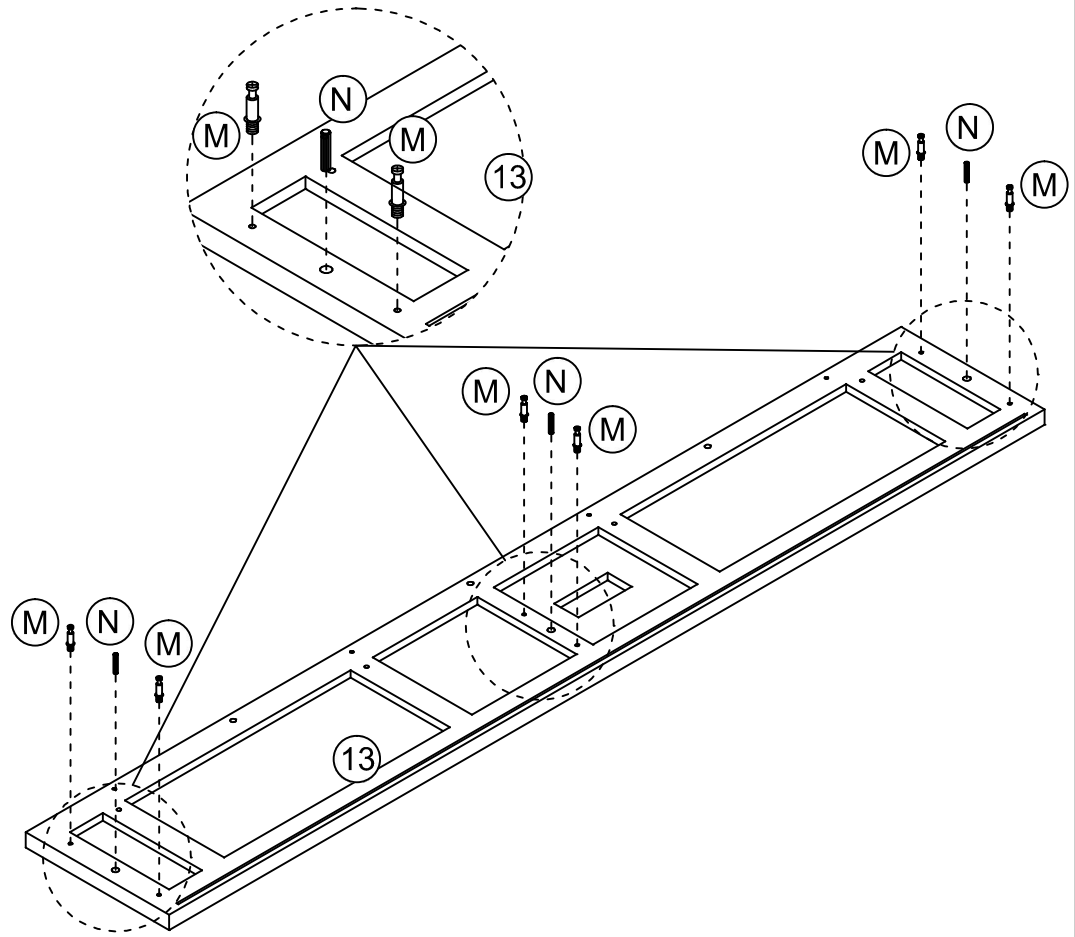
(P) M5*35
x2

Assembly Instruction

Step 5

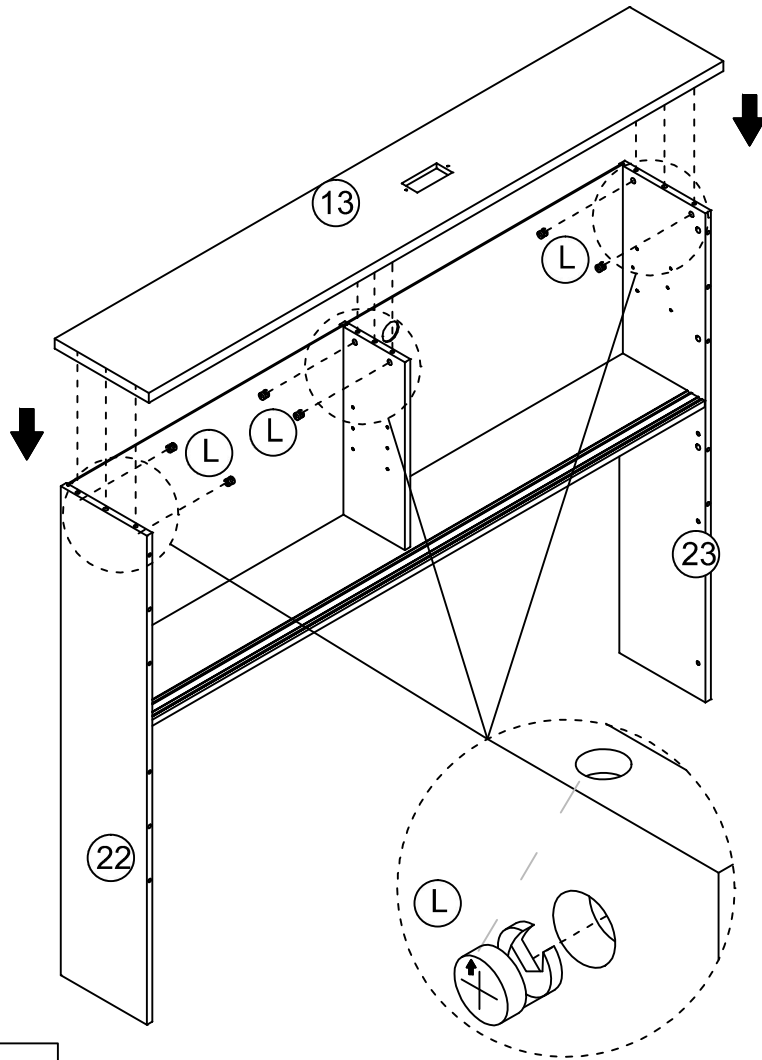
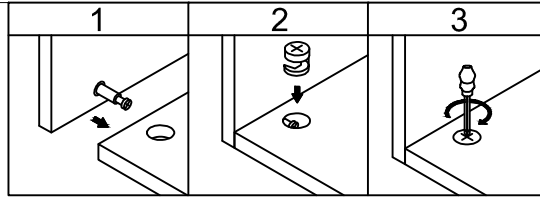


Step 6



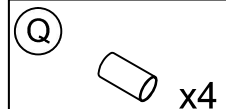
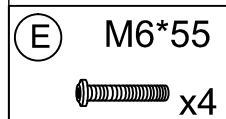
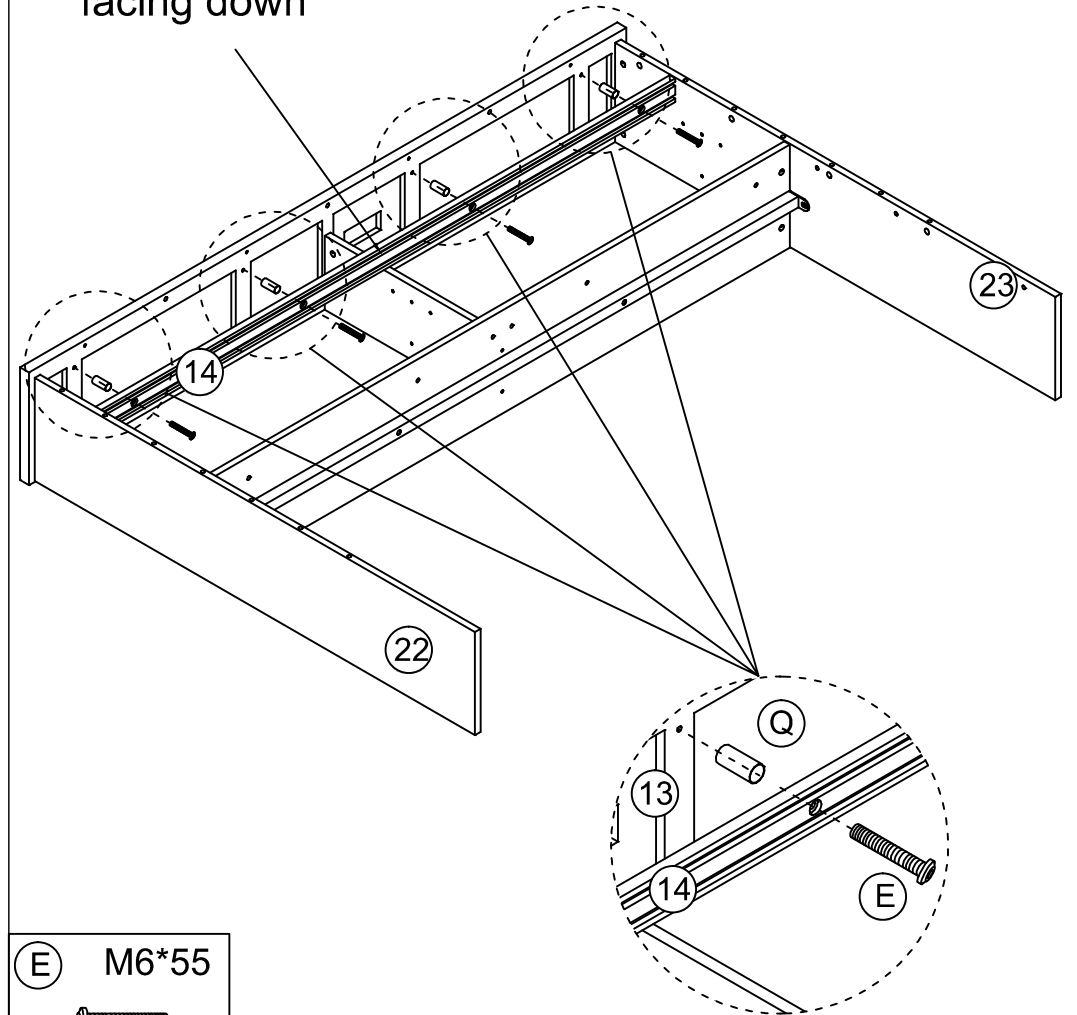
Assembly Instruction

Step 7



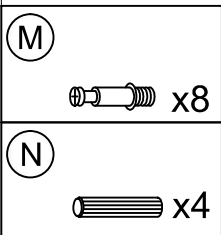
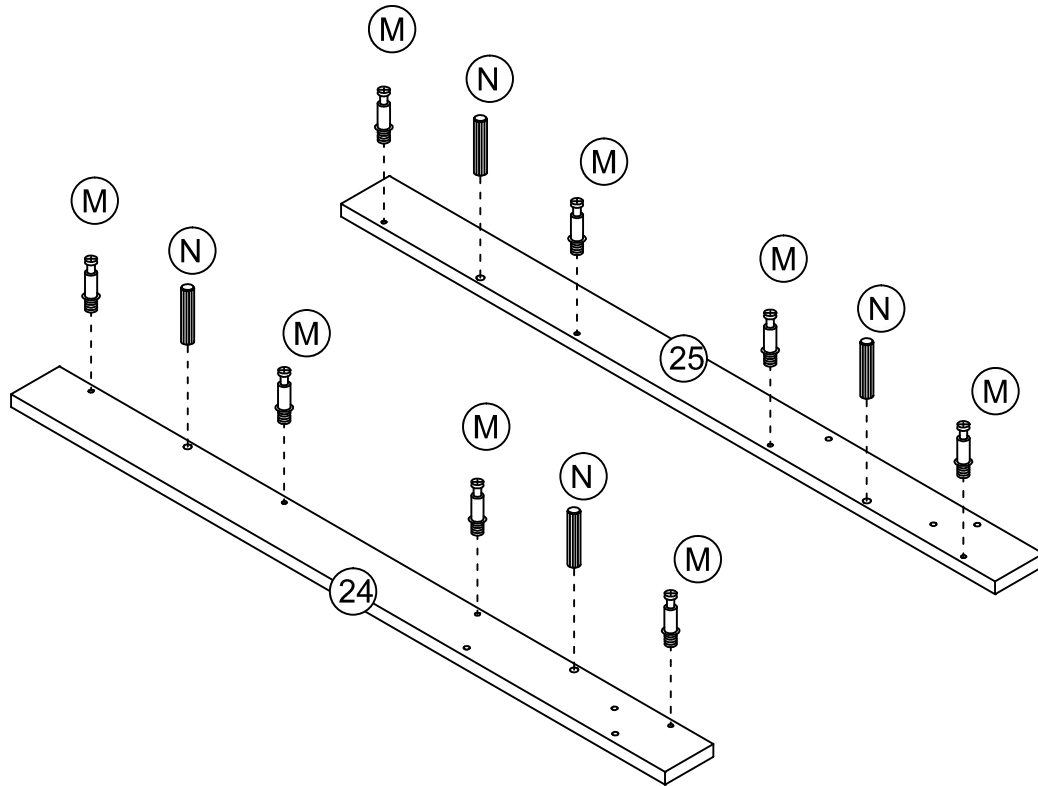
Step 8

Note that after installation, the groove on part 14 is facing down

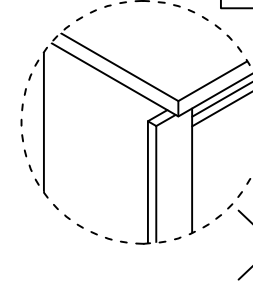
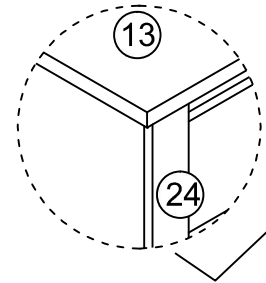


Assembly Instruction

Step 9

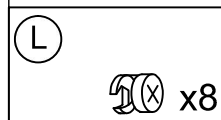
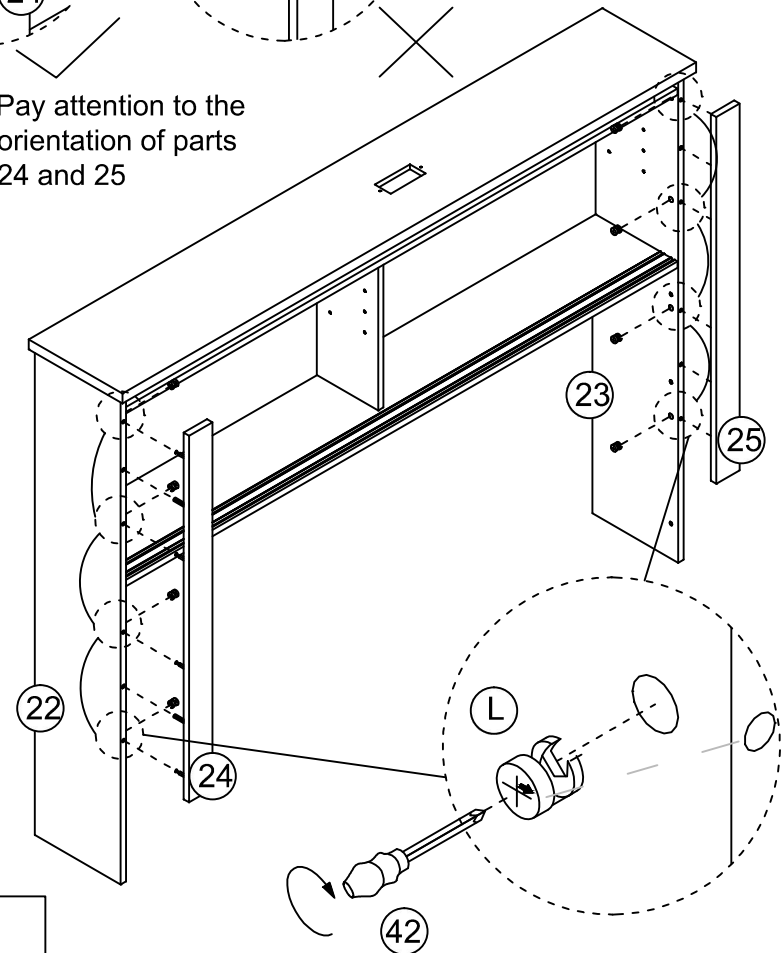


Step 10



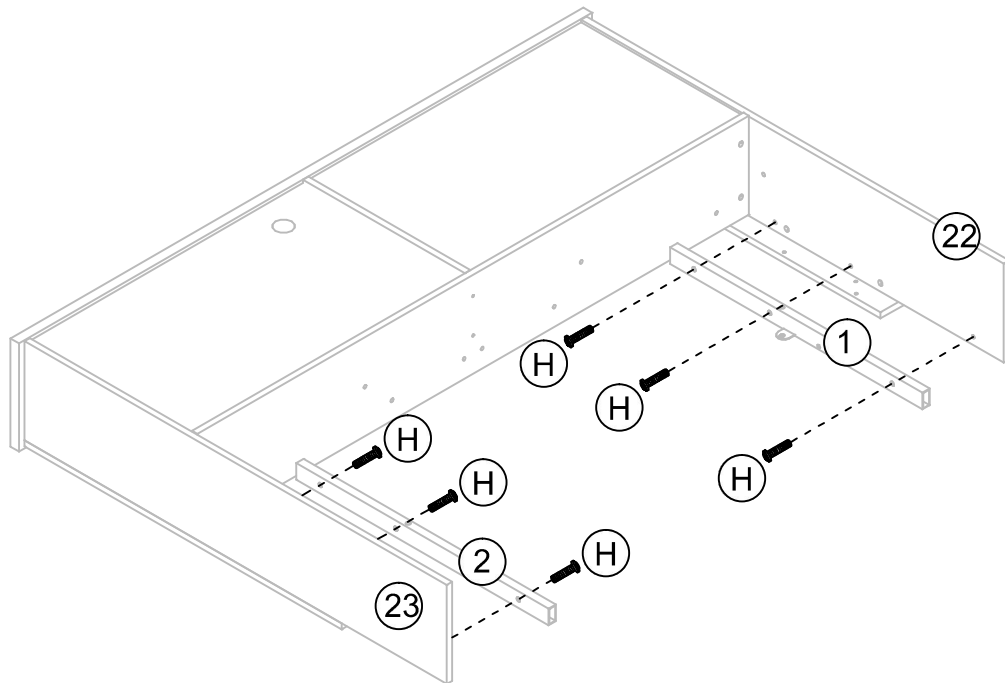
Note that during the installation process, the direction of the arrow labels on parts 24 and 25 must match the direction of the arrows shown in the diagram

Pay attention to the orientation of parts 24 and 25

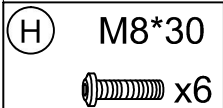


Assembly Instruction

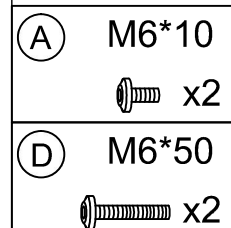
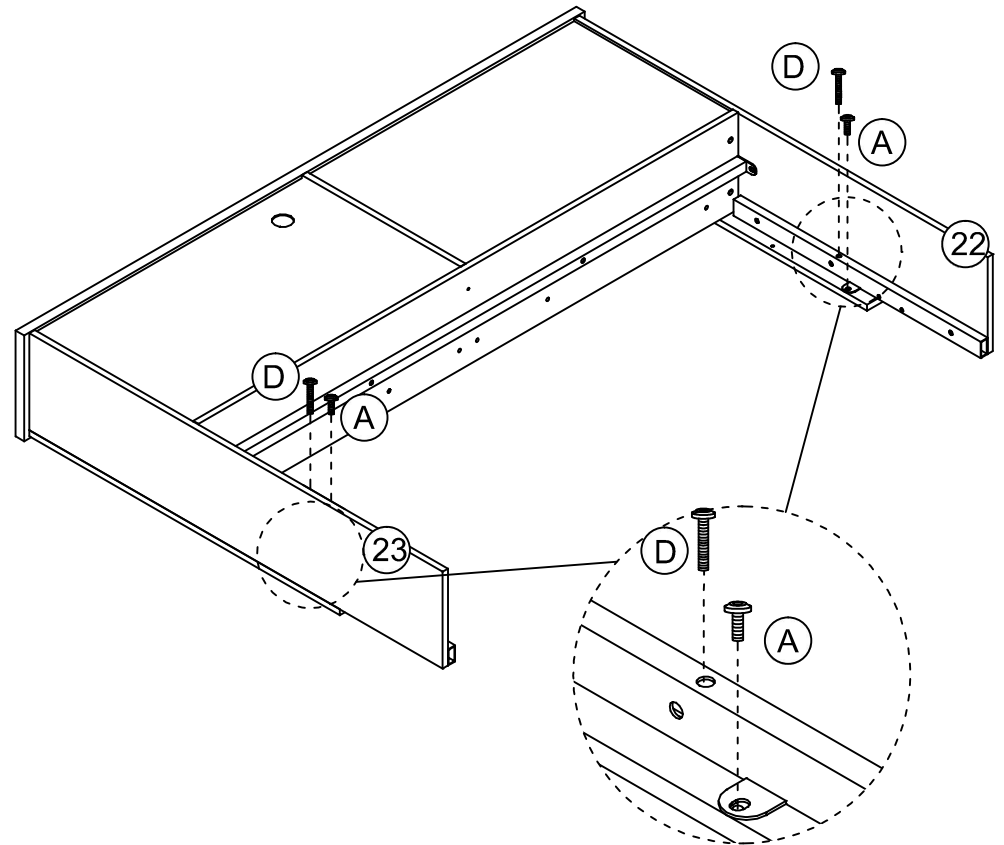
Step 11



Do not tighten screw H

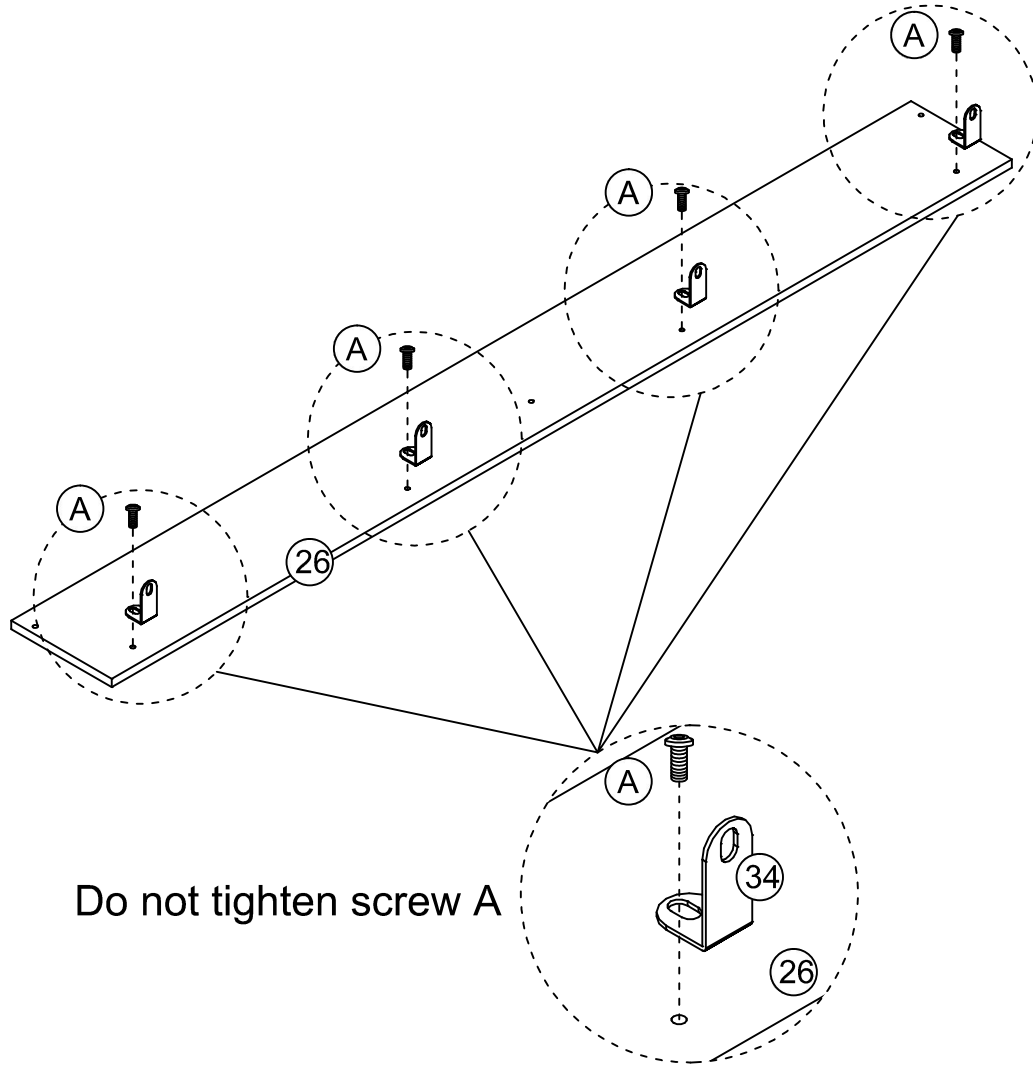


Step 12



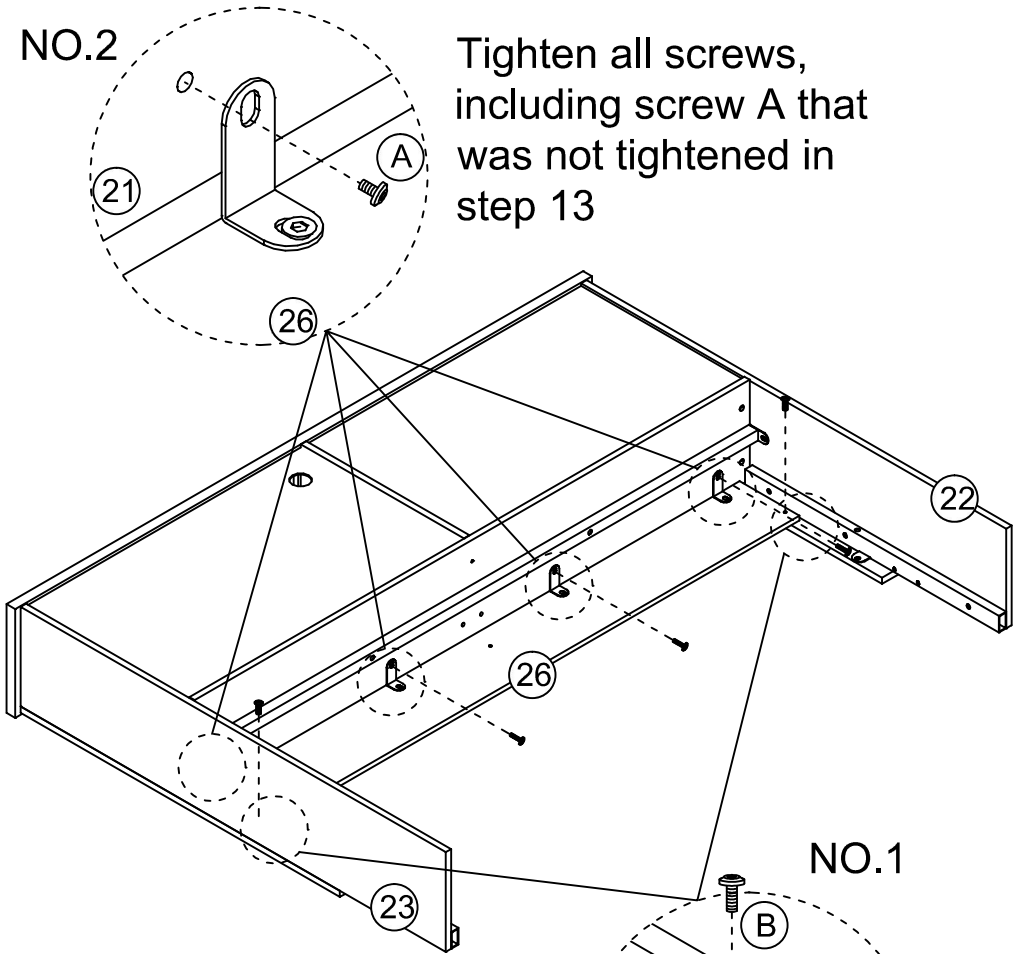
Assembly Instruction


Step 13




(A) M6*10
 x4

Step 14

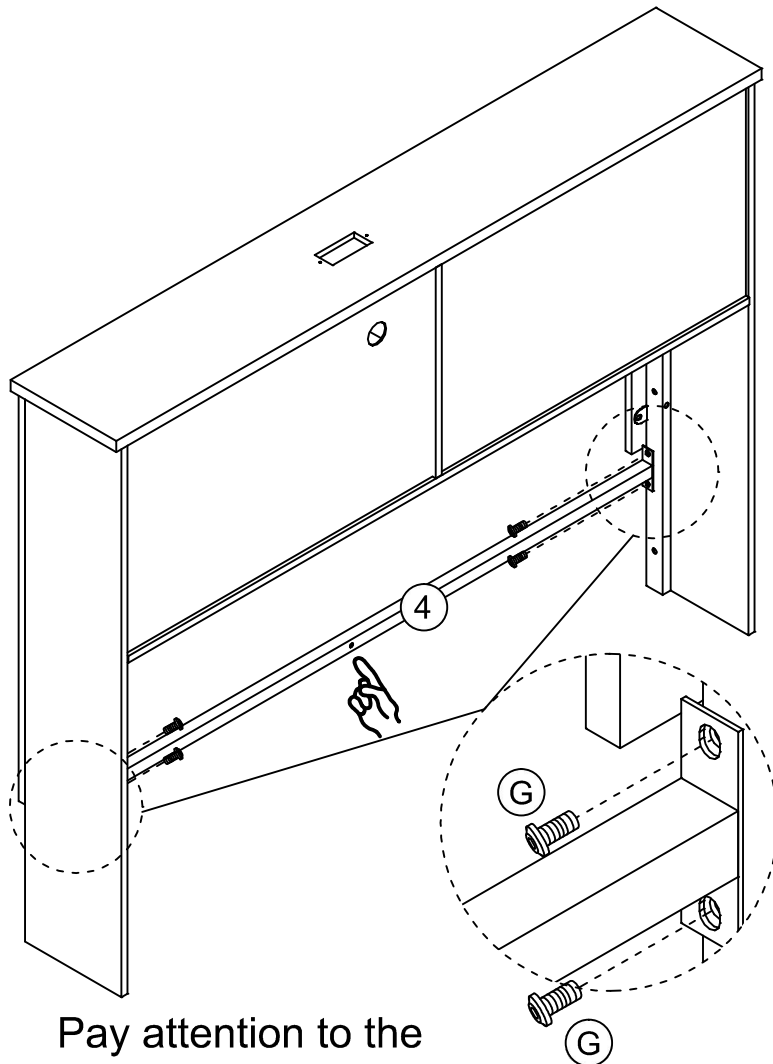


(A) M6*10
 x4

(B) M6*20
 x2

Assembly Instruction

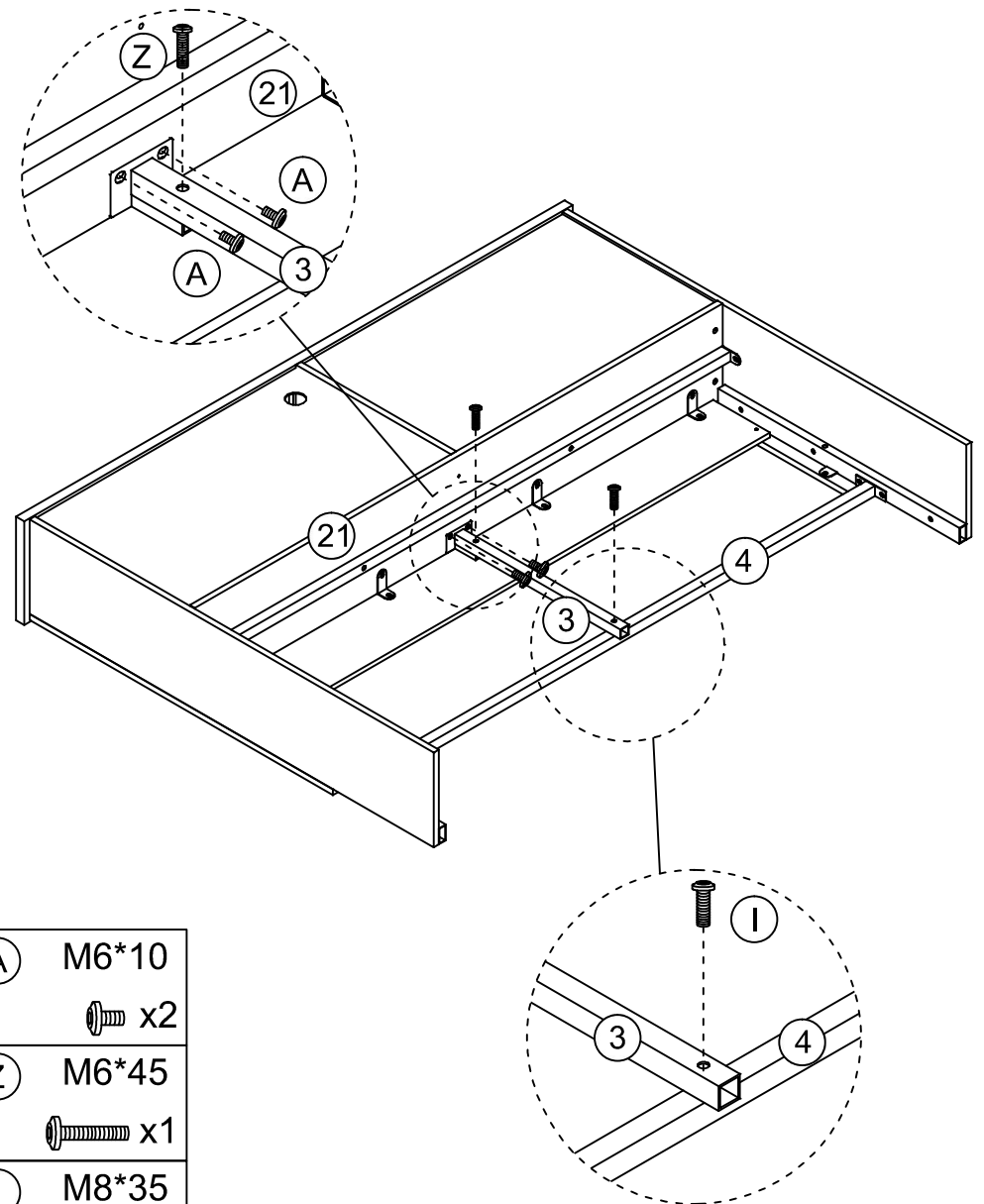
Step 15



Pay attention to the
direction of component
4

(G) M8*20
x4

Step 16



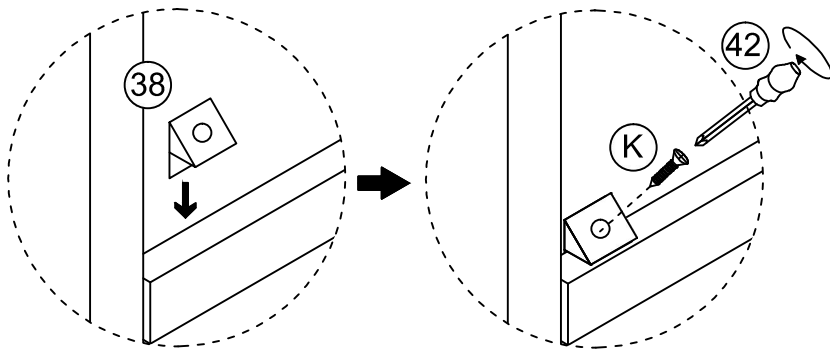
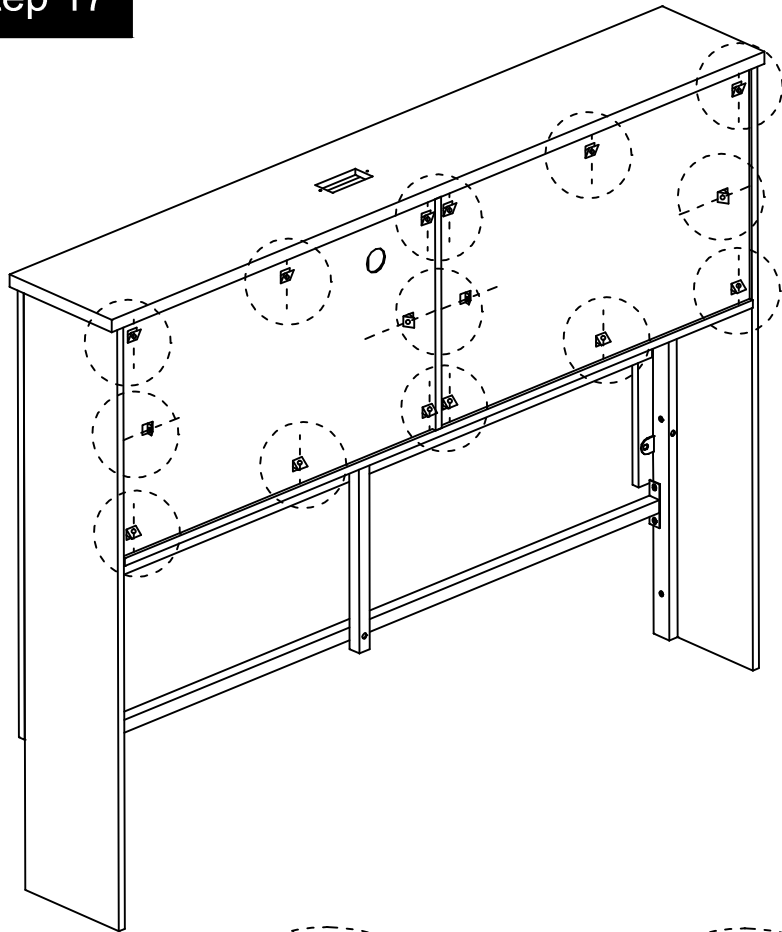
(A) M6*10
x2

(Z) M6*45
x1

(I) M8*35
x1

Assembly Instruction

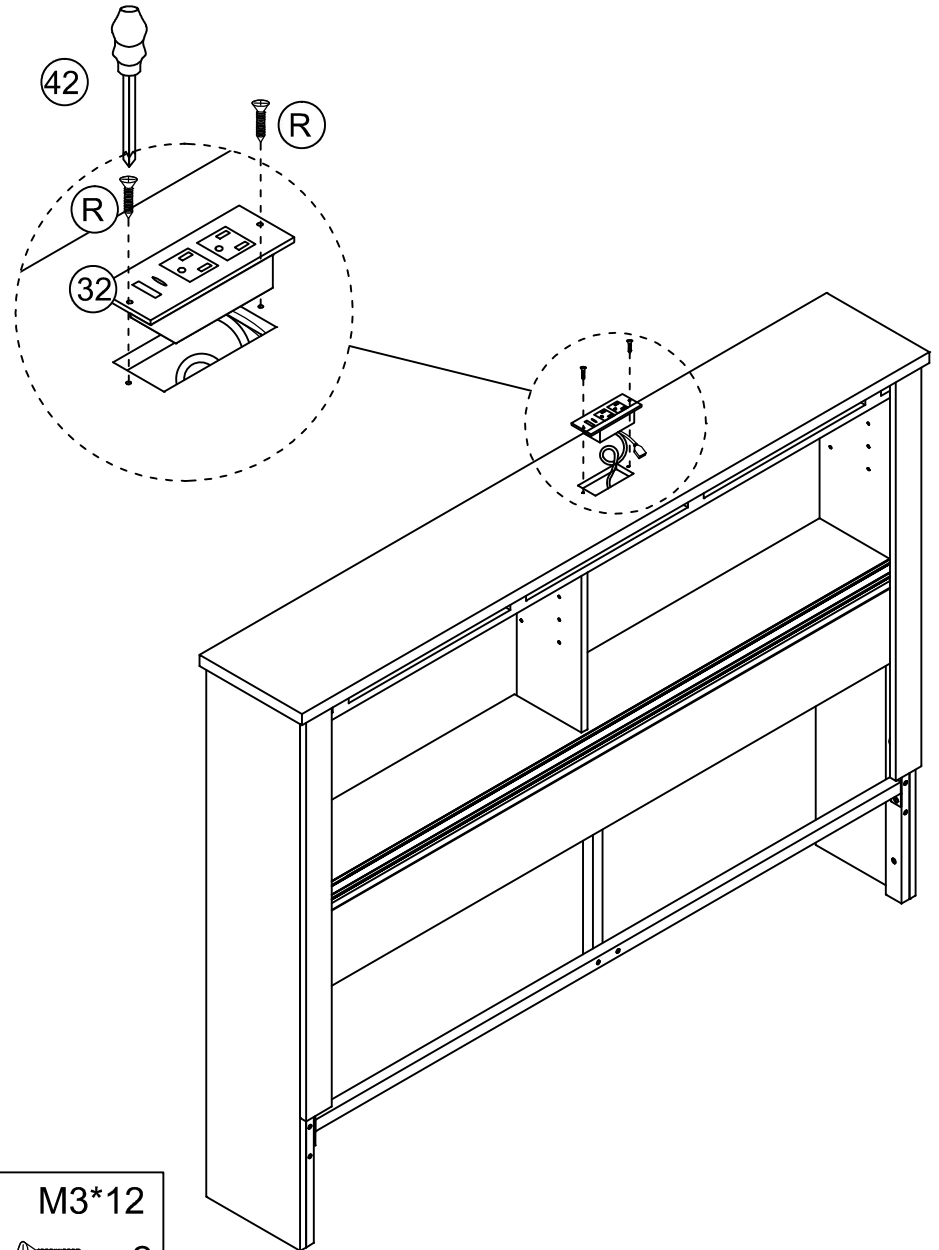
Step 17



(K) M3*16
x16

(38) x16

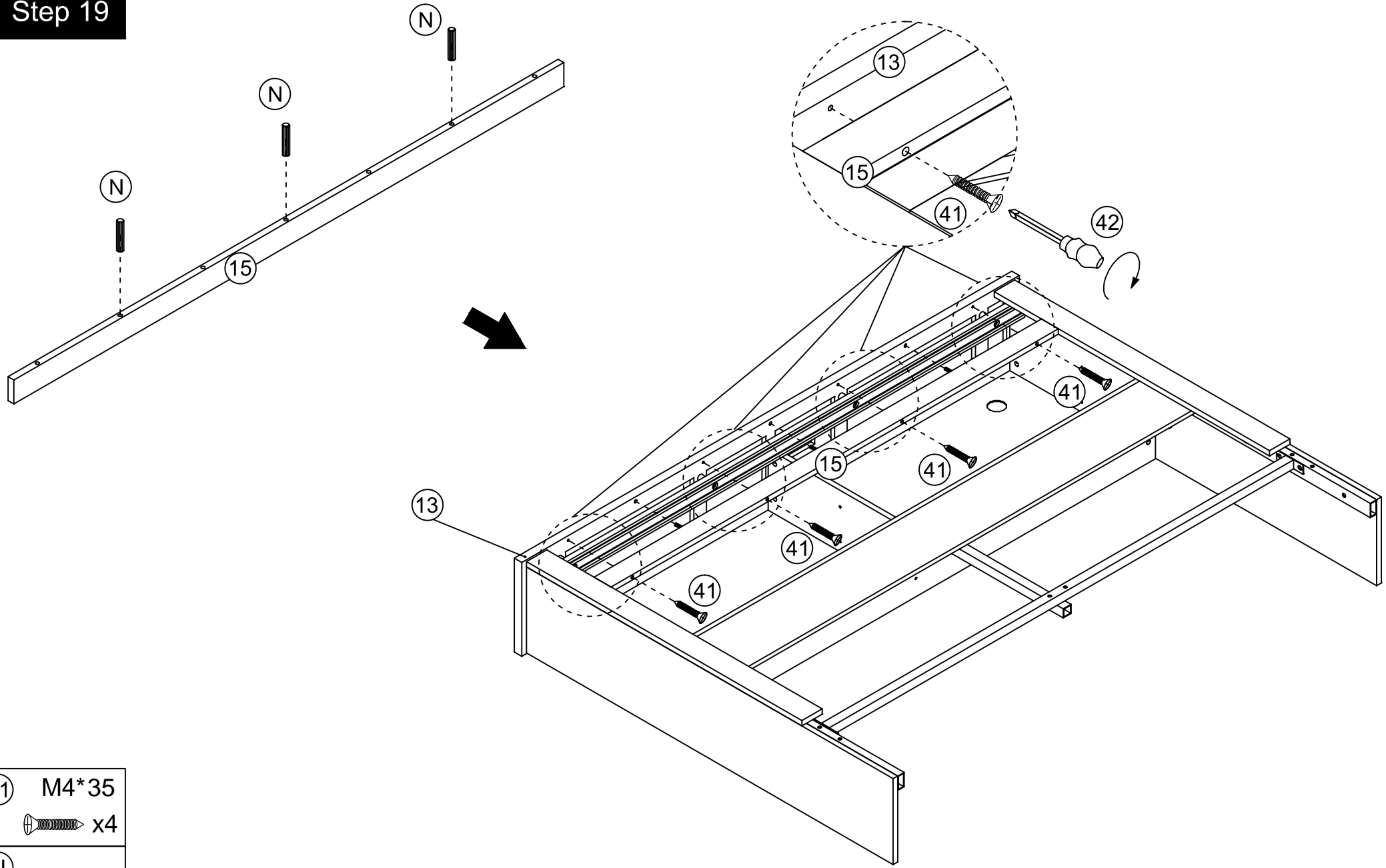
Step 18



(R) M3*12
x2

Assembly Instruction

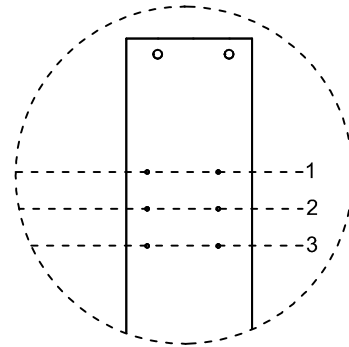
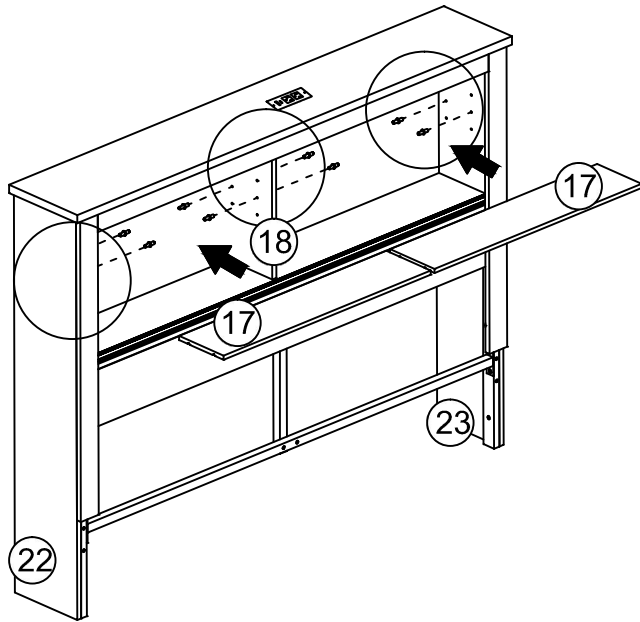
Step 19



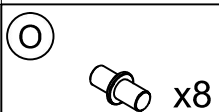
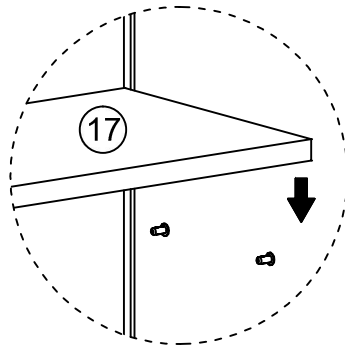
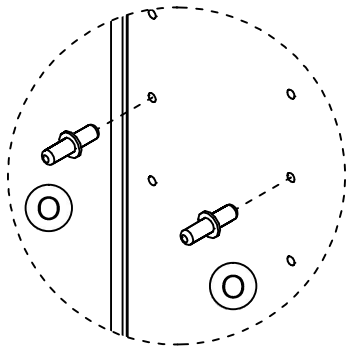
- (41) M4*35
x4
- (N)
x3

Assembly Instruction

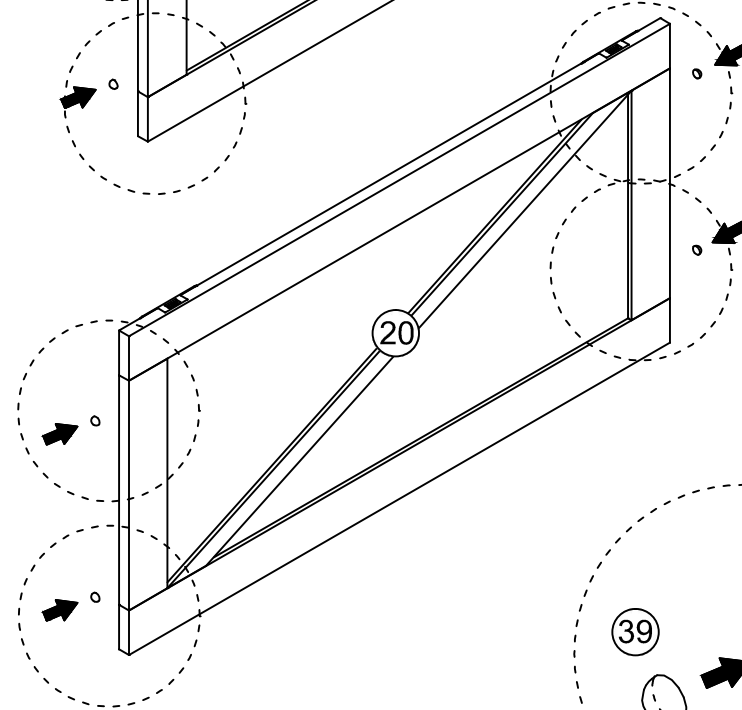
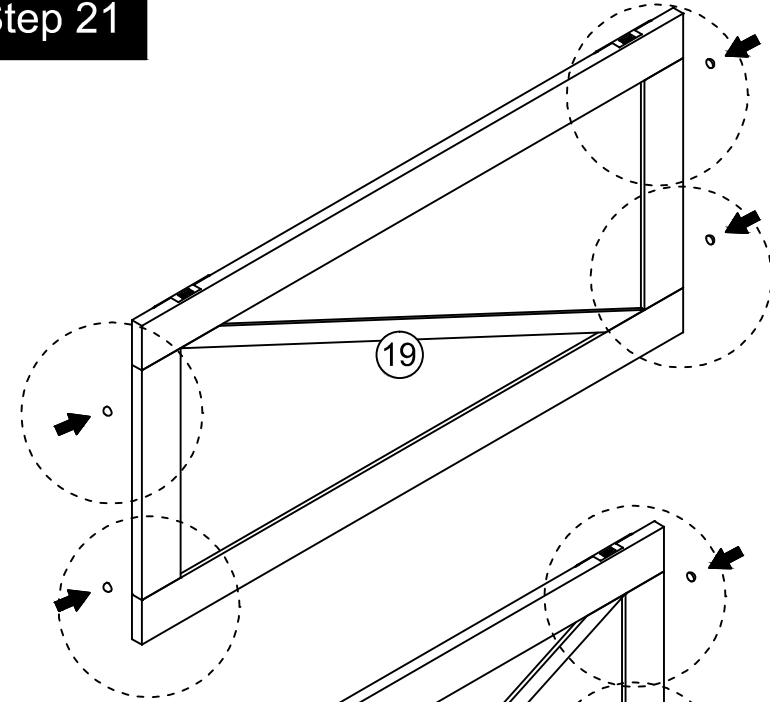
Step 20



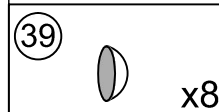
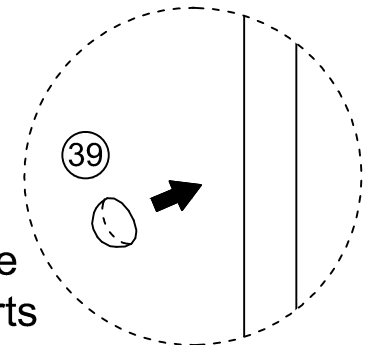
Choose one of the positions on (22) or (23) to correspond with the position on (18) and install part (O)



Step 21

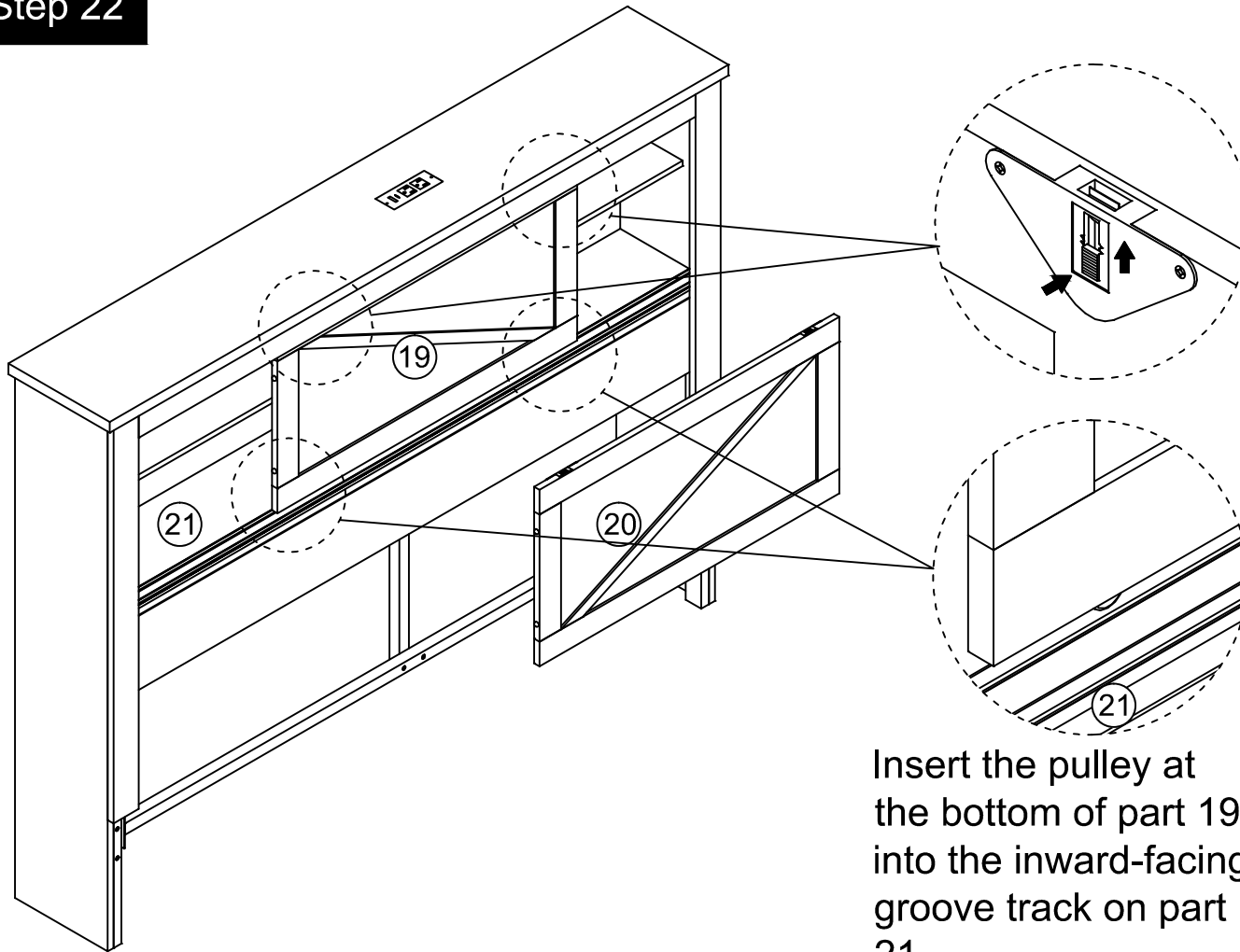


Attach part 39 to the side surfaces of parts 19 and 20



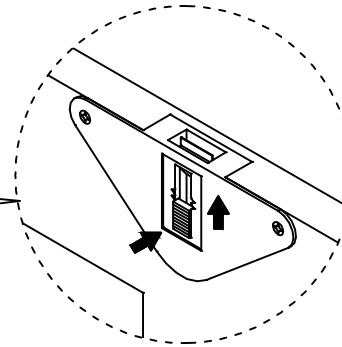
Assembly Instruction

Step 22

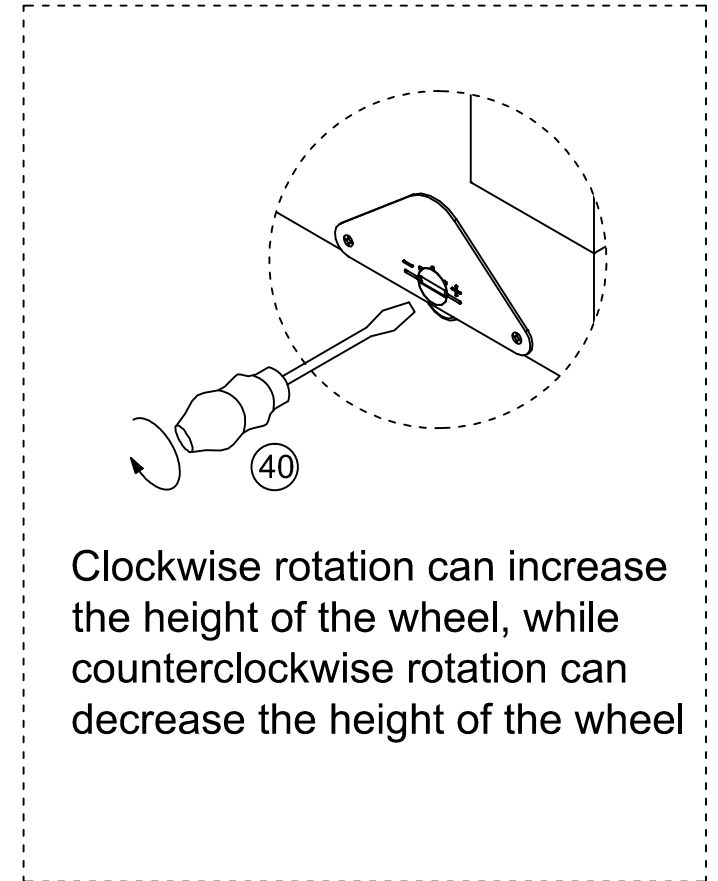
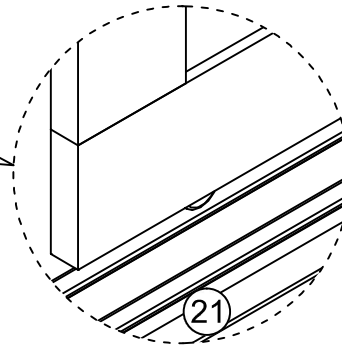


Insert the pulley at the bottom of part 19 into the inward-facing groove track on part 21

Similarly, insert the buckle at the top of part 20 and the pulley at the bottom of part 20 into the outward-facing groove tracks on parts 14 and 21, respectively



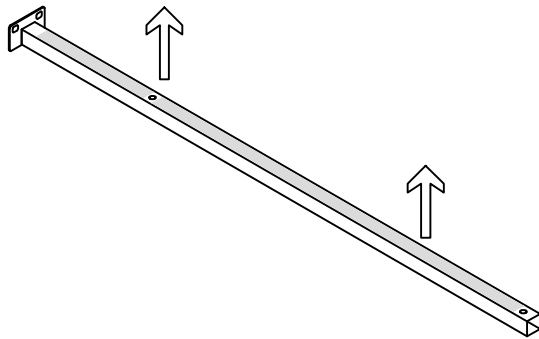
Press and push the button upward, allowing the buckle at the top of part 19 to insert into the inward-facing groove track on part 14



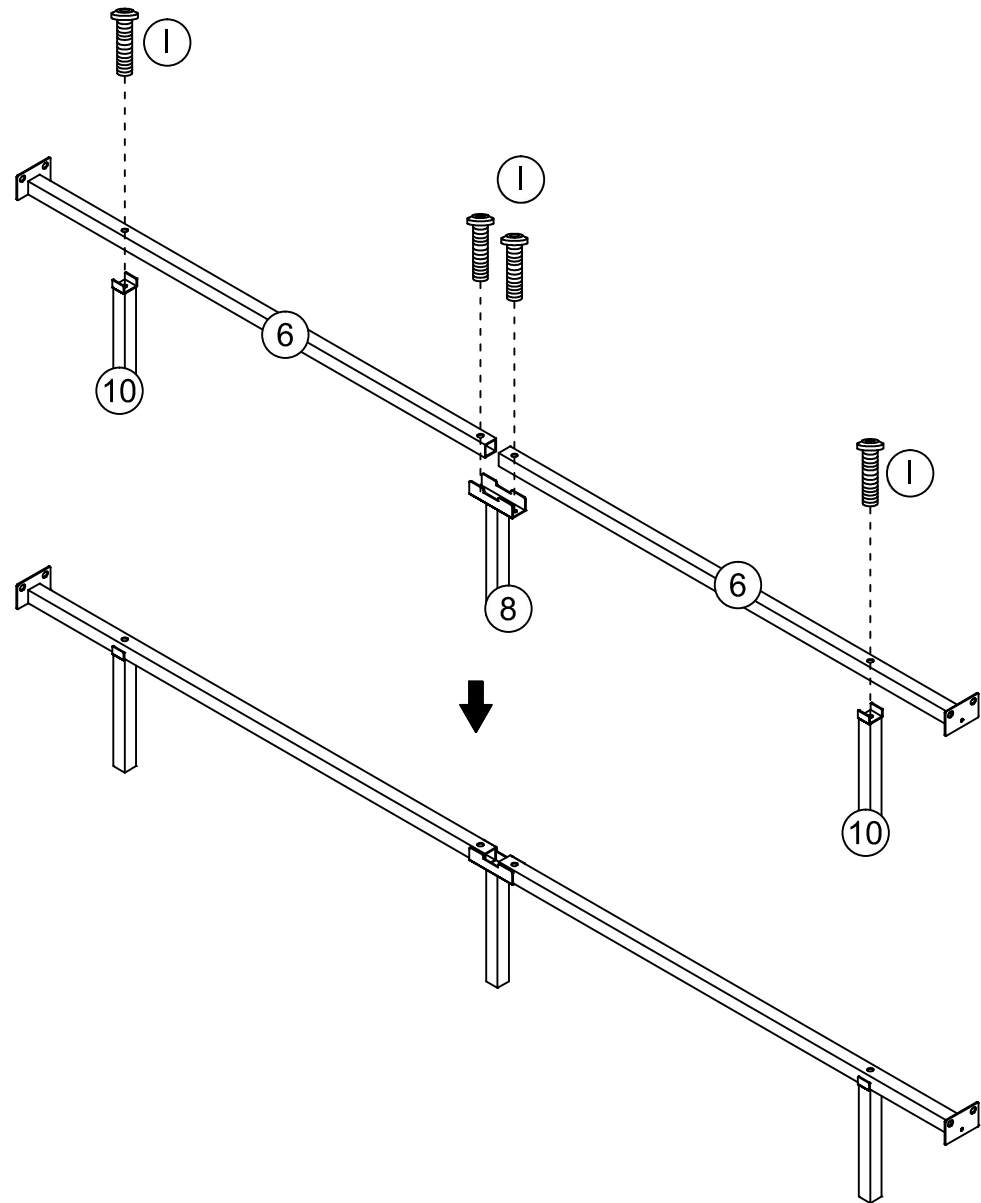
Clockwise rotation can increase the height of the wheel, while counterclockwise rotation can decrease the height of the wheel

Assembly Instruction

Step 23



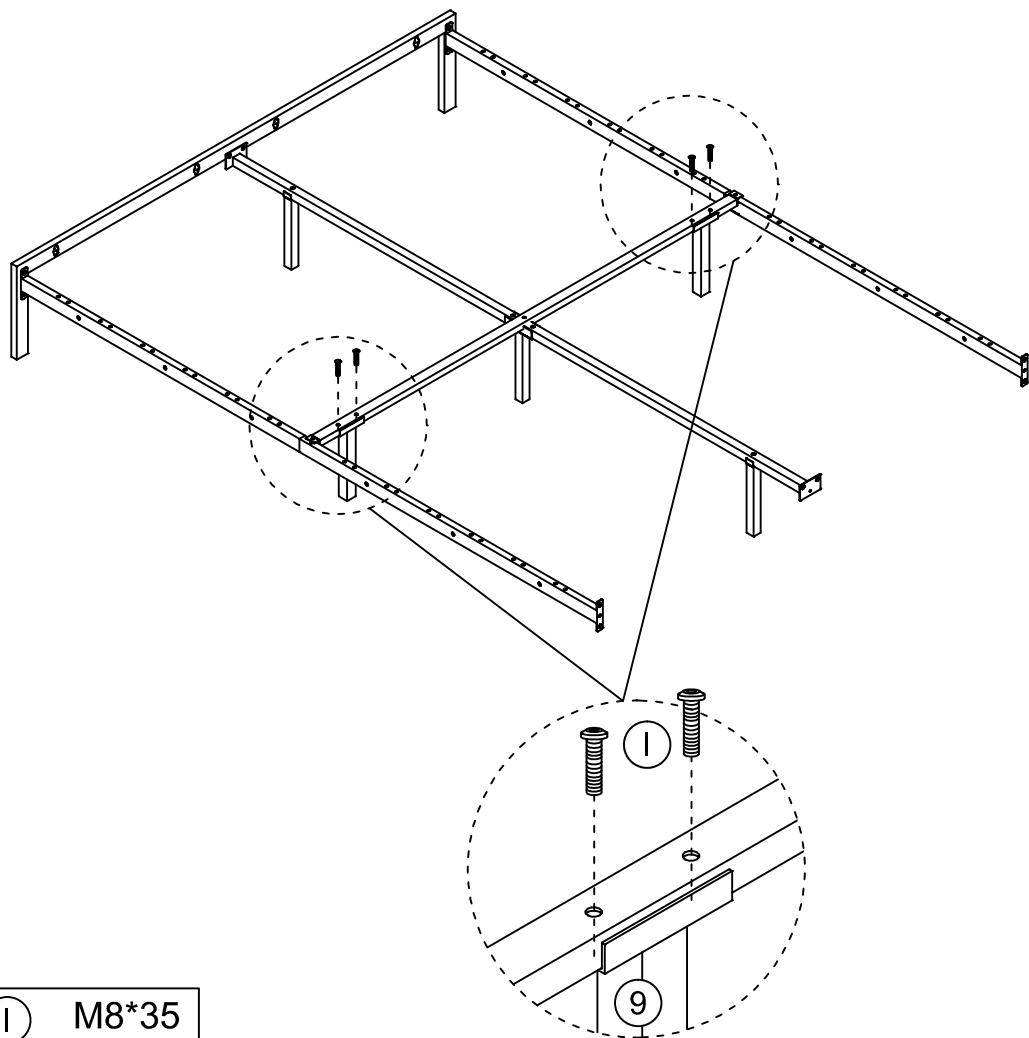
Please be sure to pay attention to the fact that there are mute stickers facing upwards during assembly, and the material feels soft to the touch



① M8*35
x4

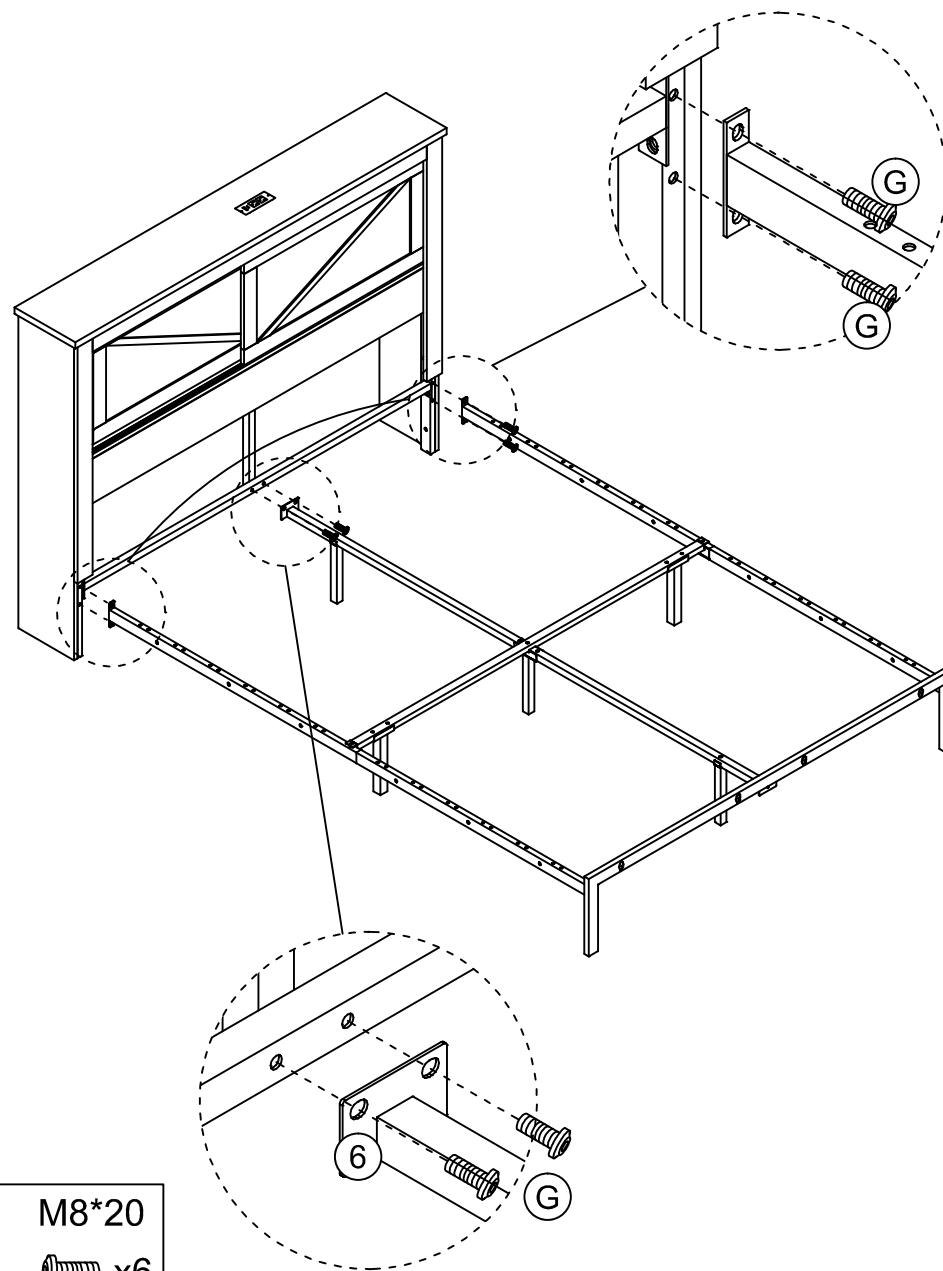
Assembly Instruction

Step 26



(I) M8*35
x4

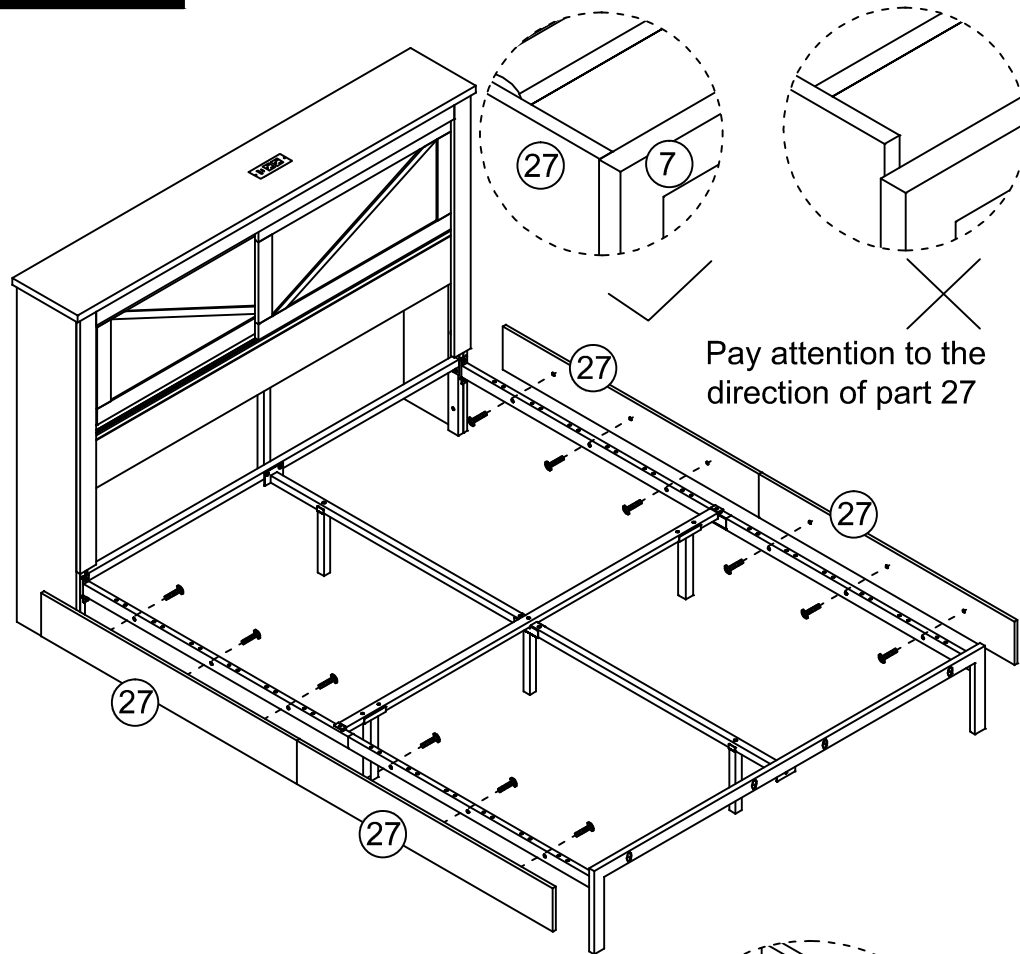
Step 27



(G) M8*20
x6

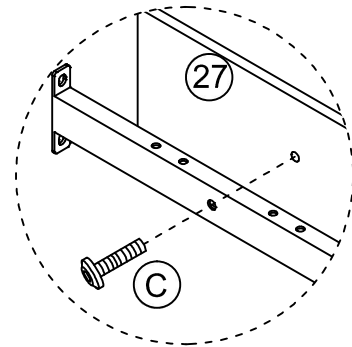
Assembly Instruction

Step 28



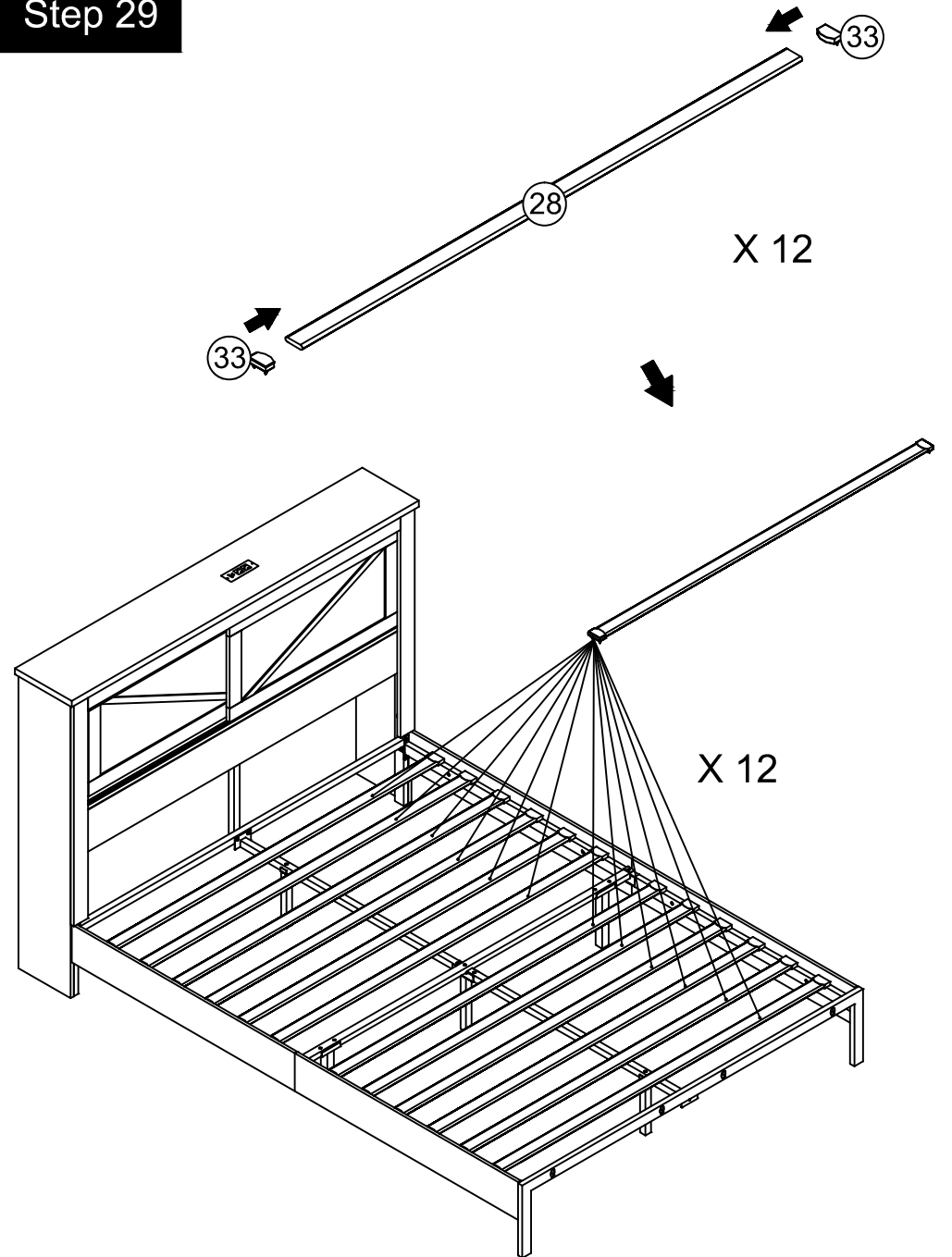
Pay attention to the direction of part 27

After all four parts 27 are installed, tighten screw C



(C) M6*28
x12

Step 29



X 12

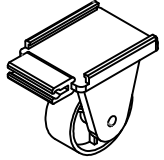
X 12

Assembly Instruction

Install Drawer

Hardware parts

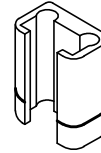
Accessories in hardware box



Pulley x 8



Plastic buckle (A) x 5



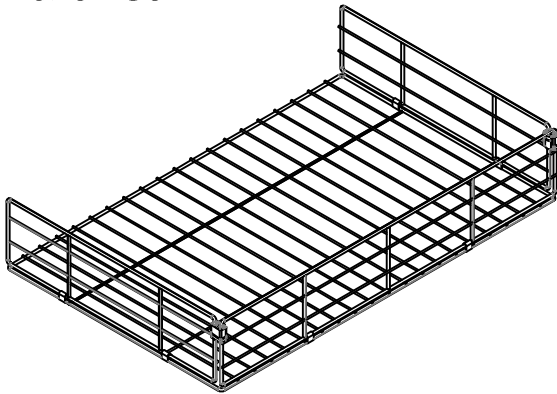
Plastic buckle (B) x 5



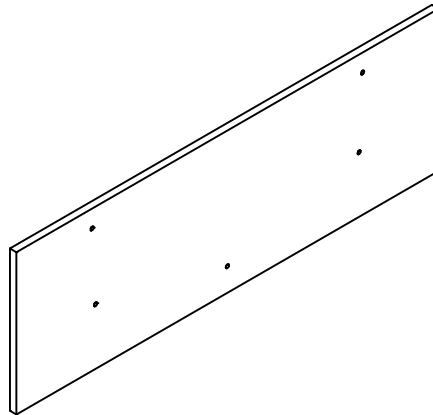
Screw x 10

Note the (A) in the hardware blister pack

Part list



③⑤ 2PCS



Drawer board

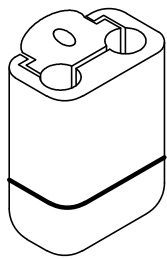
③⑥ 2PCS



Iron buckle

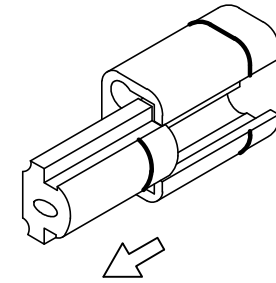
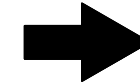
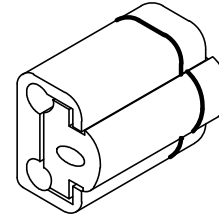
③⑦ 7PCS

Assembly Instruction

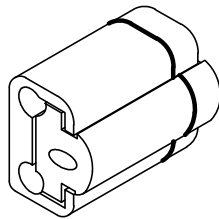
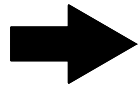
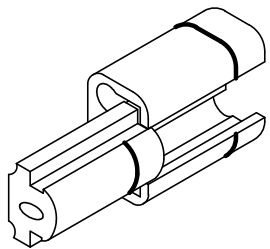


Remember this
convex coil

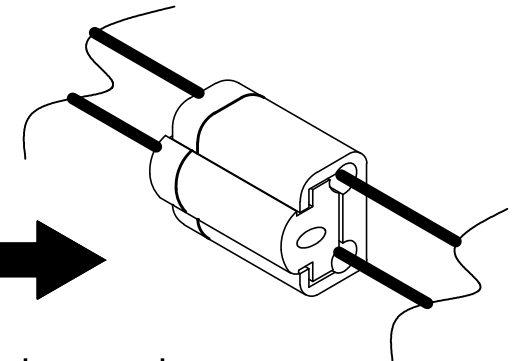
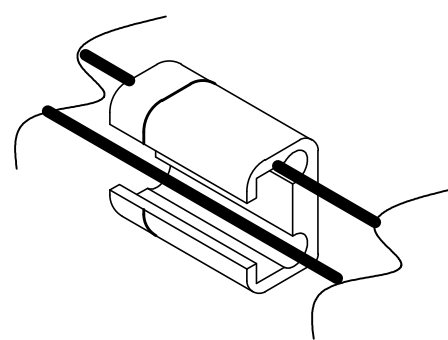
Reverse
direction



You can pull the buckle out by
following the direction indicated
by the arrow



So This is the only direction that
can be locked

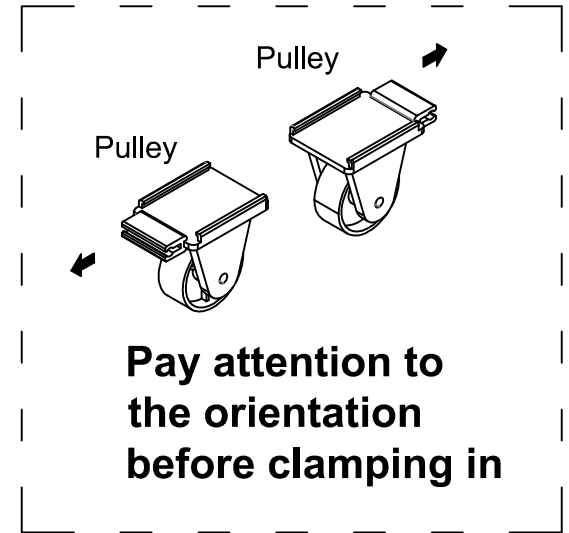
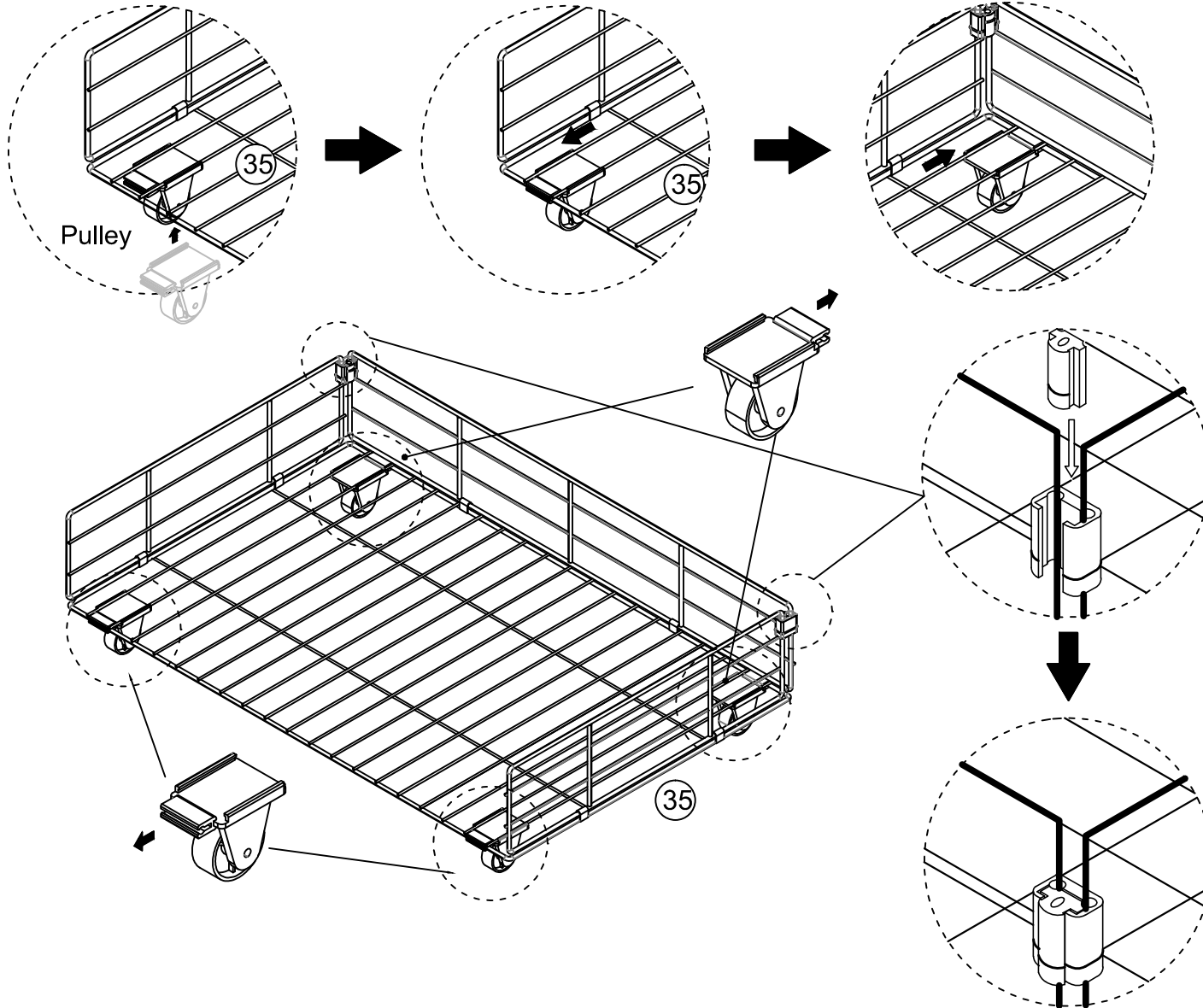


Place round iron tube as shown
for better drawer assembly

Assembly Instruction

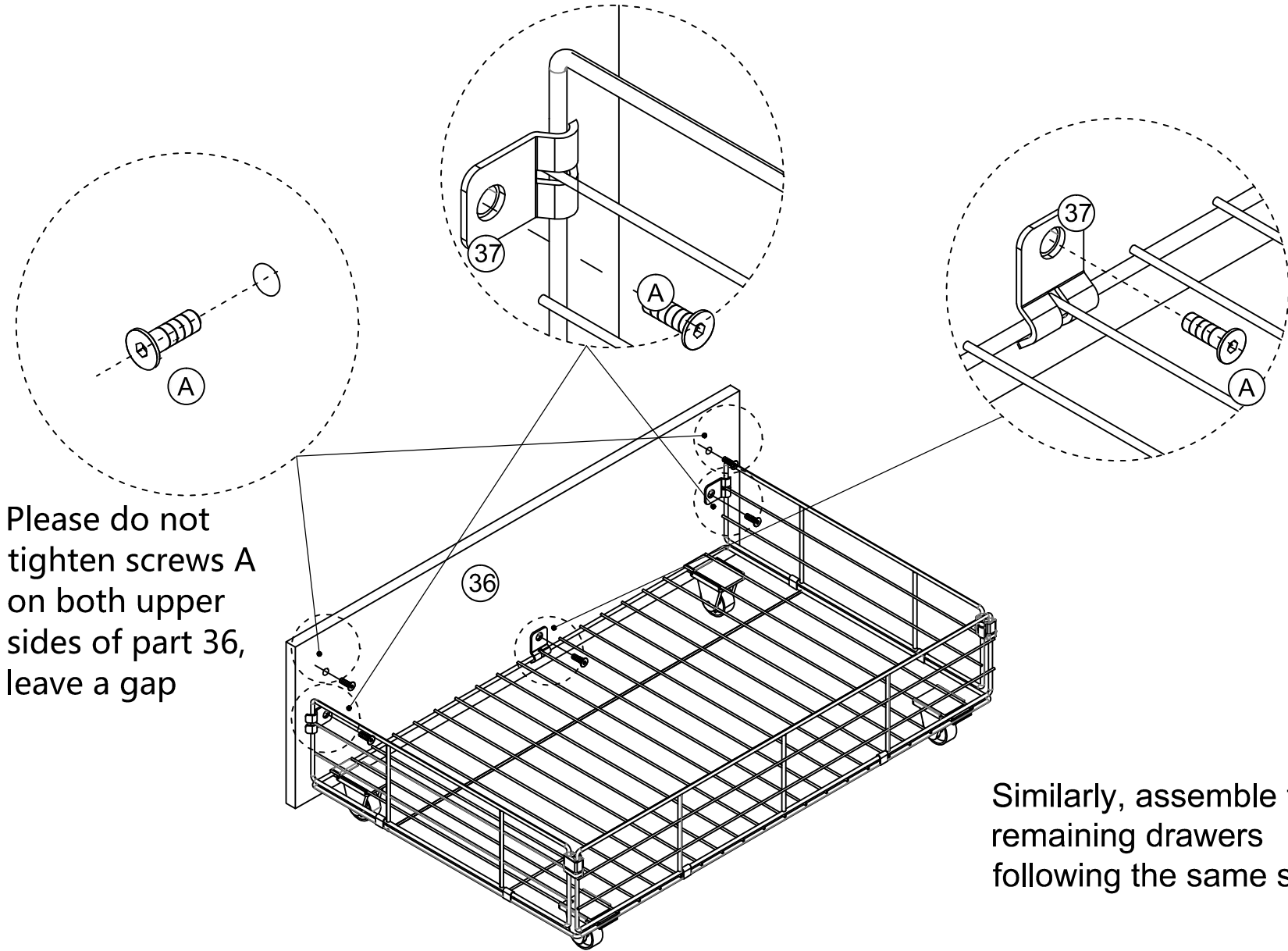
As shown in the figure Clip the pulley into position first

Then push the pulley to the side
At the same time, clamp the iron wire at the edge. It takes a little strength




Please note that this drawer base (35) has front and back sides! Please see the instructions clearly before assembling!!!

Assembly Instruction

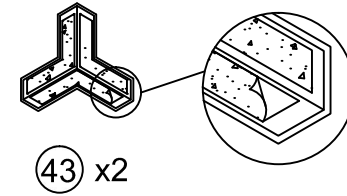
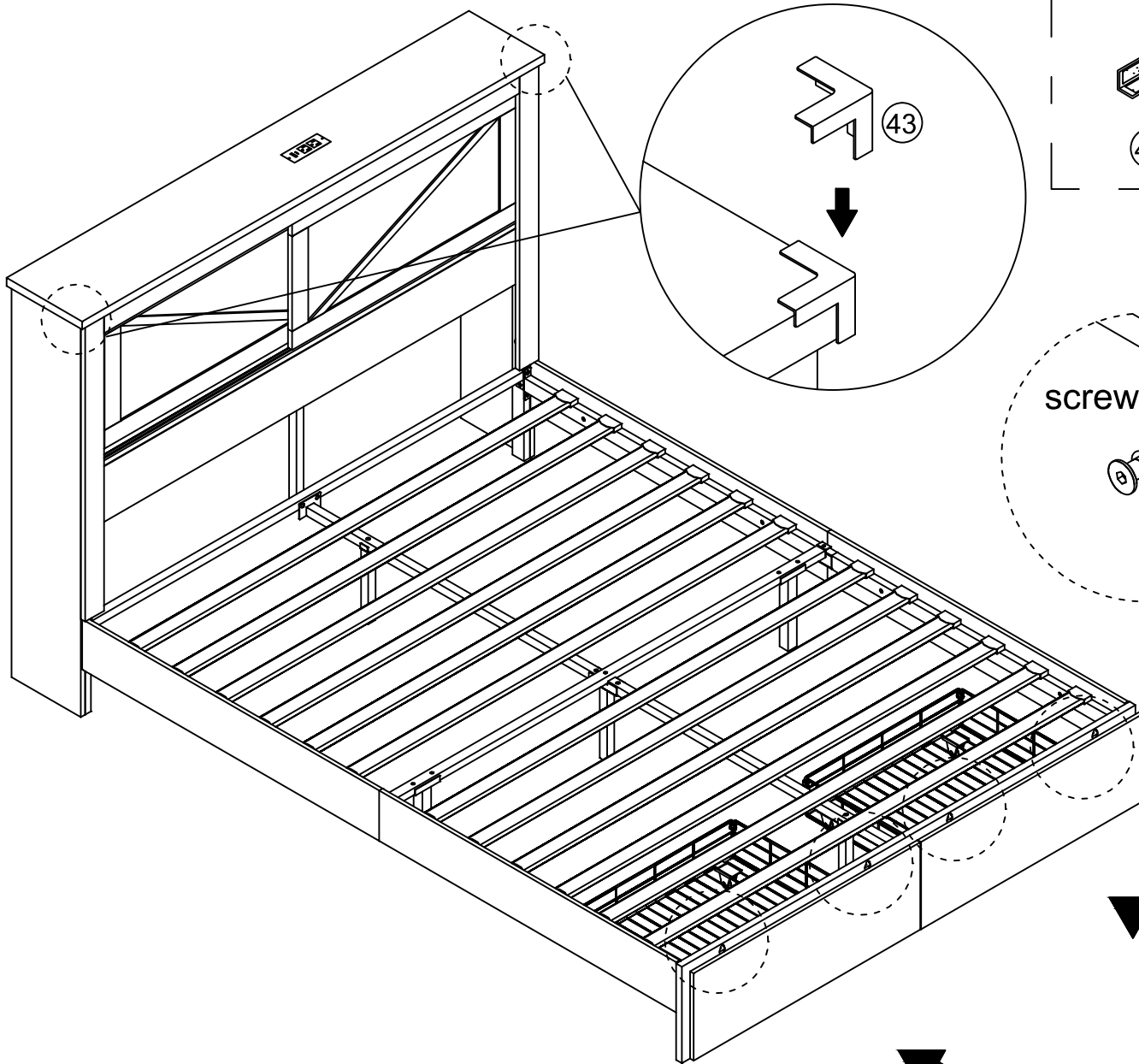


Please do not
tighten screws A
on both upper
sides of part 36,
leave a gap

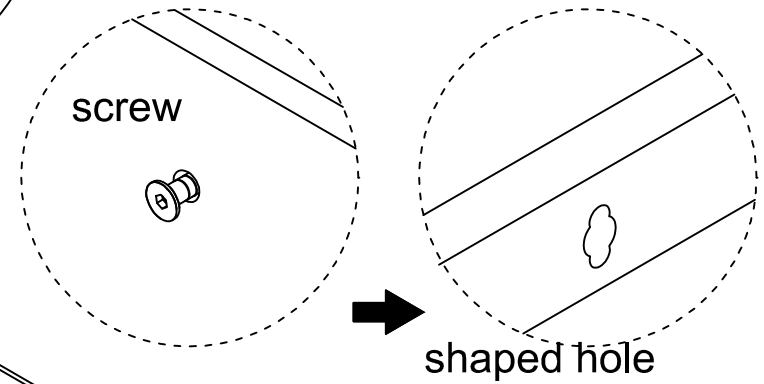
Similarly, assemble the
remaining drawers
following the same steps

(A) M6*10
 x10

Assembly Instruction



Tear up the double-sided tape on (43) before installation



Gently lift the drawer, align the screw with the gourd-shaped hole, and then snap it in

Installation Complete