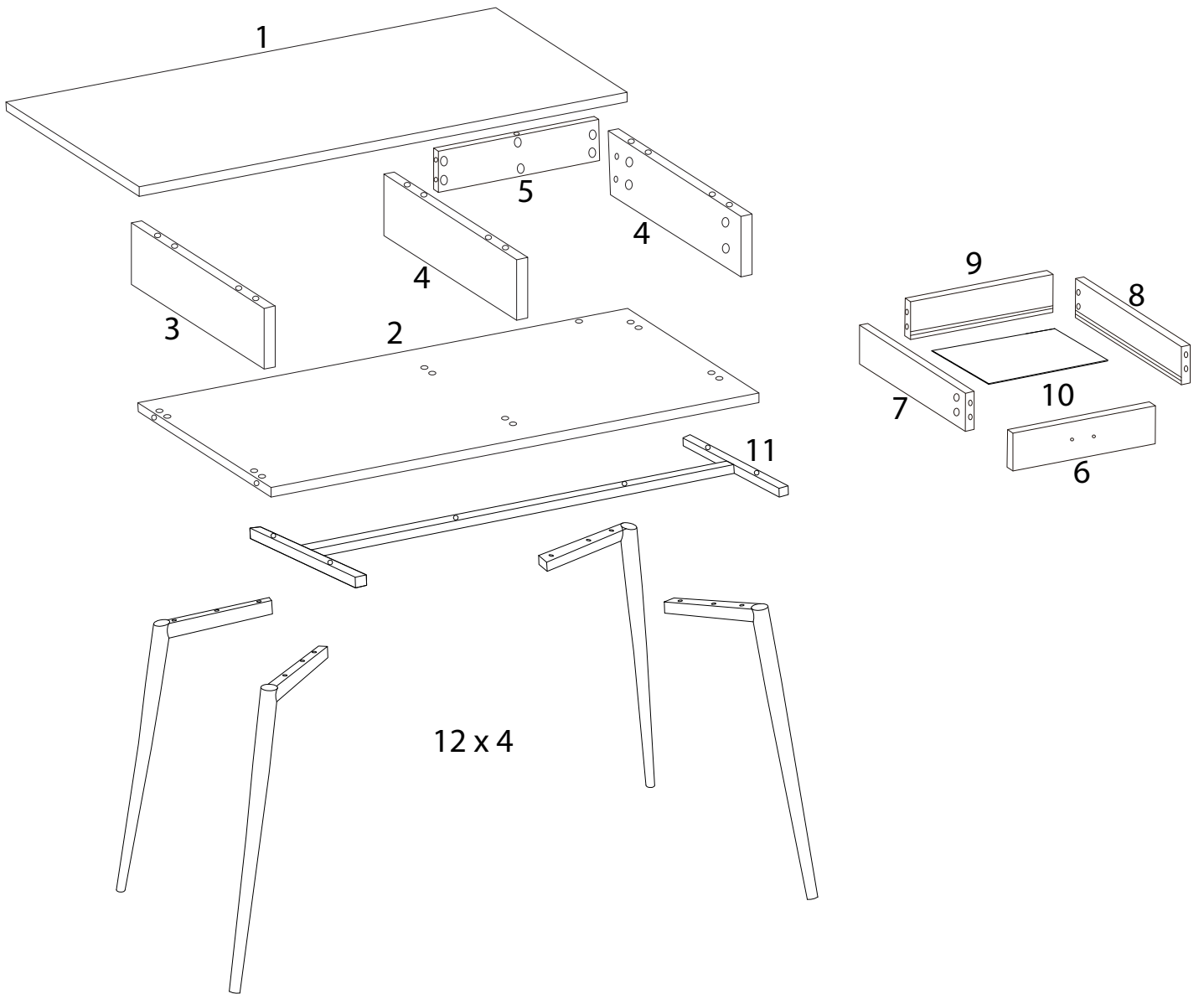
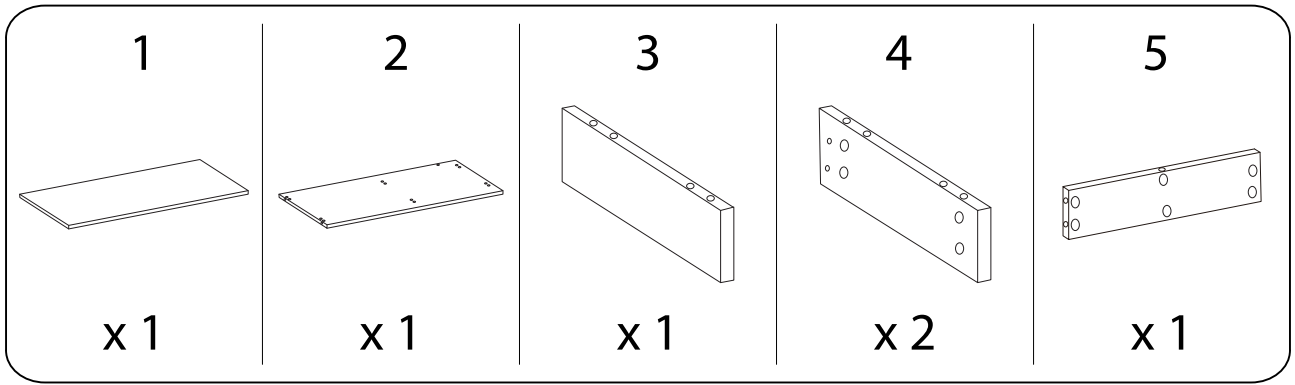
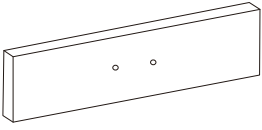
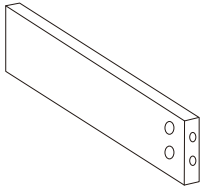
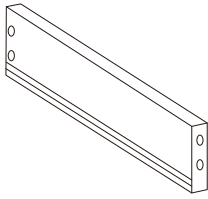
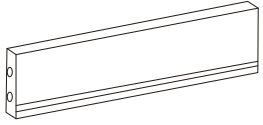
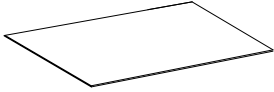

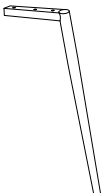
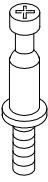
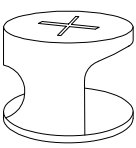
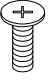
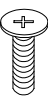
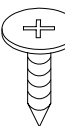
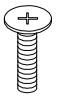

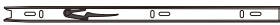
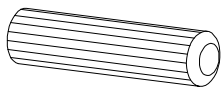


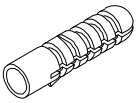
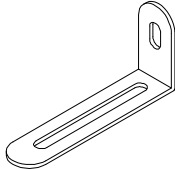




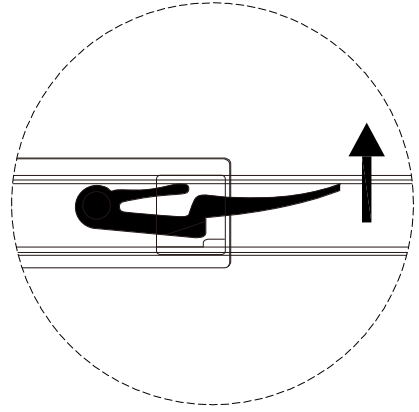
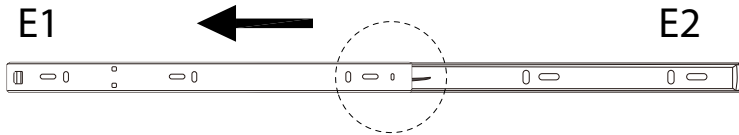
Assembly instructions for step 1/17:

- Tools:** A screwdriver is required. A power drill is not required (indicated by a diagonal line through the drill icon).
- Time:** Estimated assembly time is 60 minutes, represented by a clock icon.
- Warnings:** Two warning triangles with exclamation marks are present, indicating important safety or handling instructions.
- Personnel:** One person is required for assembly, represented by a person icon and the number 1.

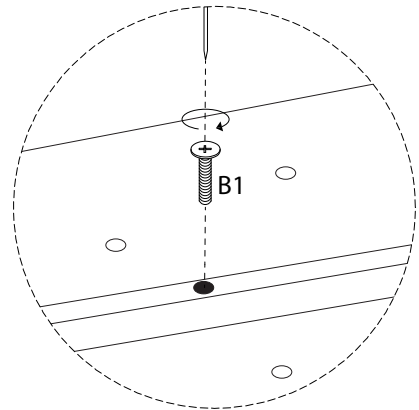
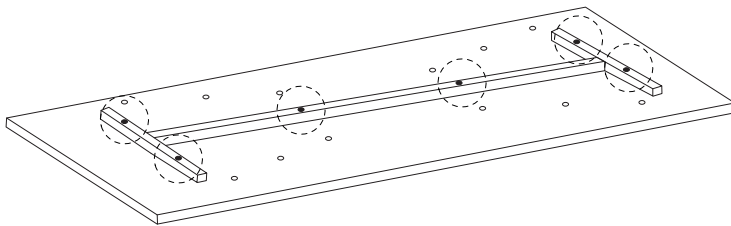
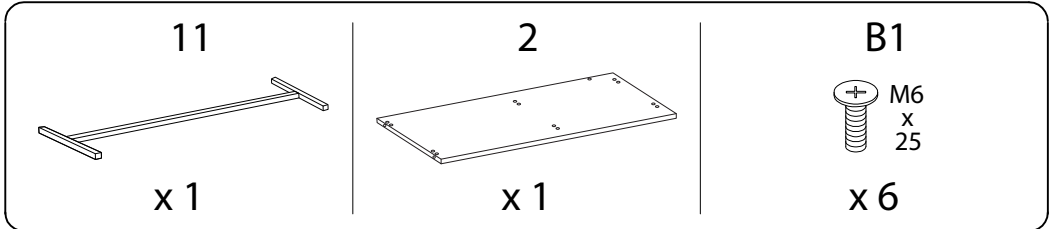


<p>6</p>  <p>x 1</p>	<p>7</p>  <p>x 1</p>	<p>8</p>  <p>x 1</p>	<p>9</p>  <p>x 1</p>
<p>10</p>  <p>x 1</p>	<p>11</p>  <p>x 1</p>	<p>12</p>  <p>x 4</p>	<p>A1</p>  <p>x 26</p>
<p>A2</p>  <p>x 26</p>	<p>B1</p>  <p>M6 x 25</p> <p>x 18</p>	<p>B2</p>  <p>M6 x 40</p> <p>x 4</p>	<p>C</p>  <p>ST3.5 x 14</p> <p>x 12</p>
<p>D</p>  <p>M4 x 18</p> <p>x 2</p>	<p>E1</p>  <p>x 2</p>	<p>E2</p>  <p>x 2</p>	<p>F</p>  <p>x 12</p>
<p>G</p>  <p>x 1</p>	<p>H</p>  <p>ST4 x 25</p> <p>x 2</p>	<p>I</p>  <p>x 2</p>	<p>J</p>  <p>x 2</p>

!



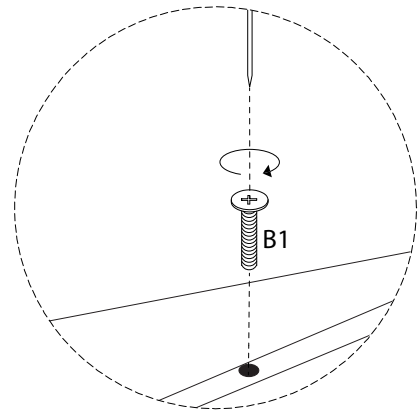
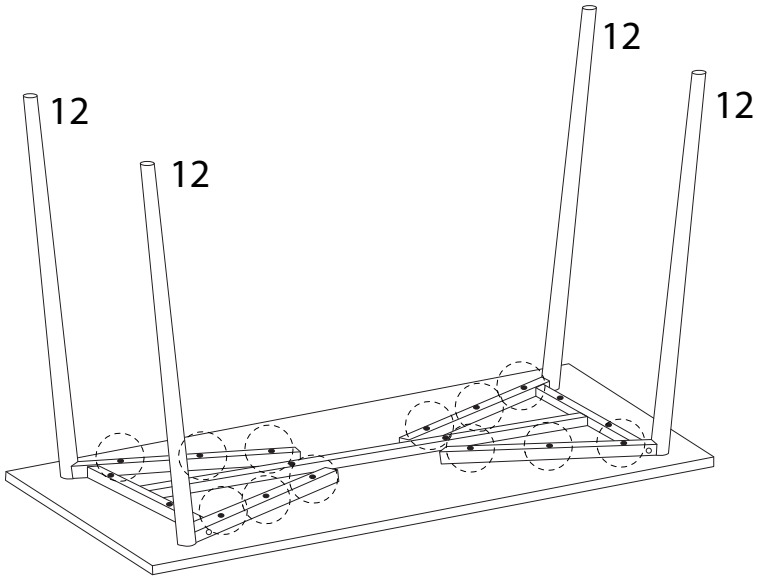
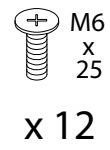
1



2

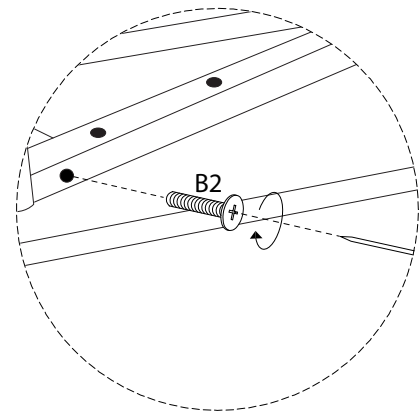
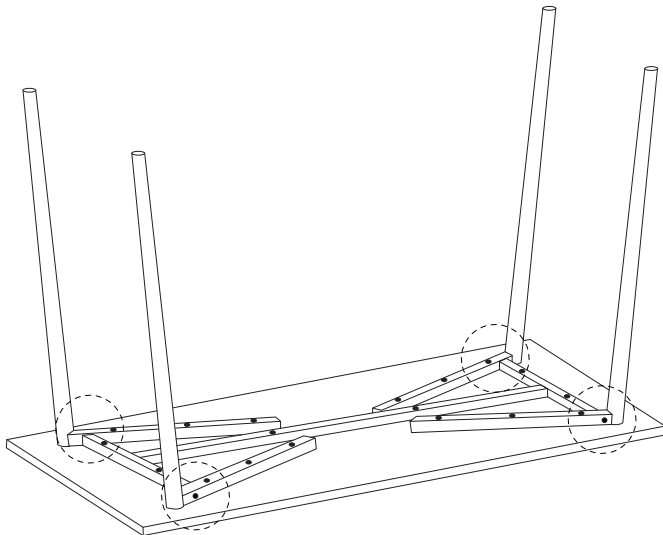
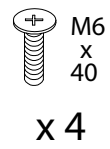


B1

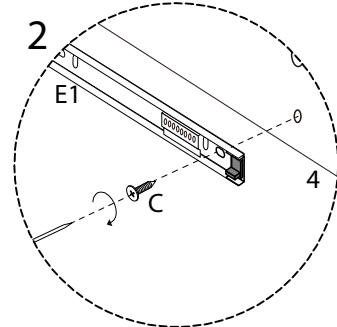
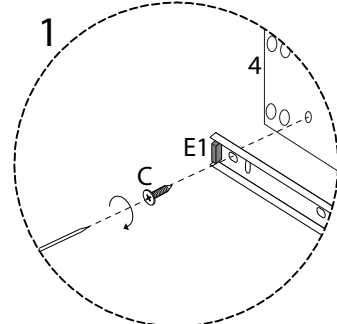
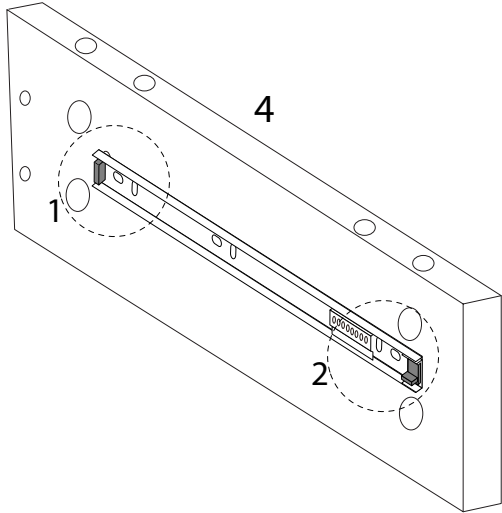
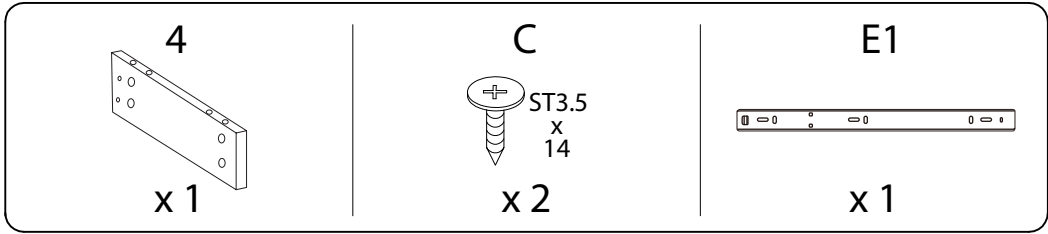


3

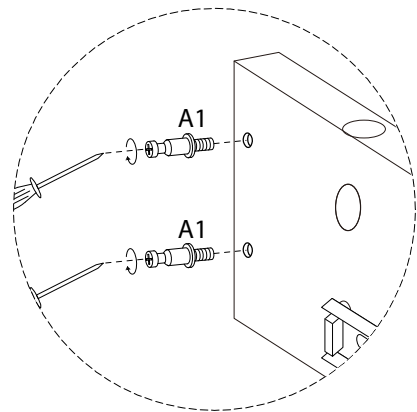
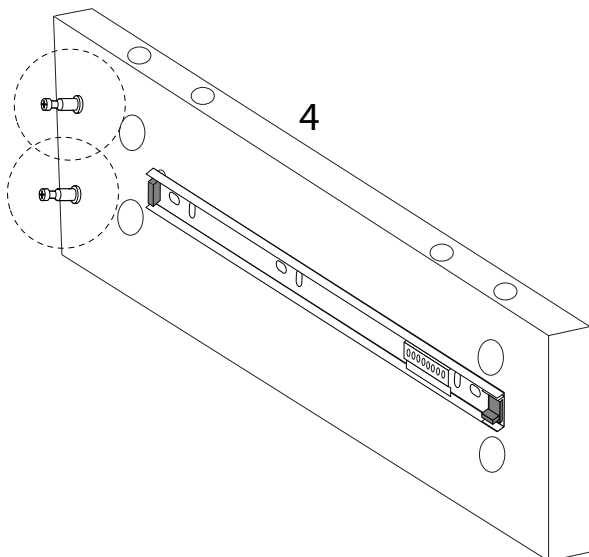
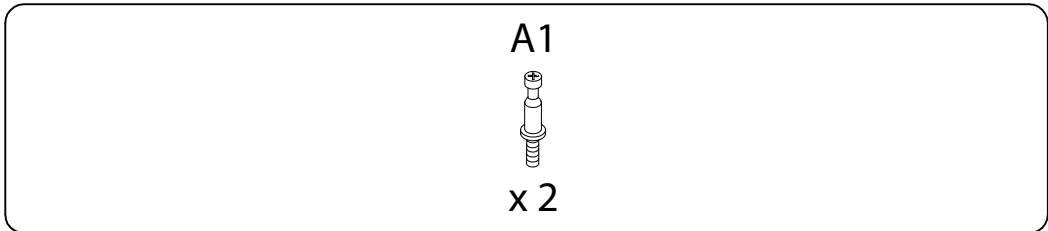
B2



4 x 2

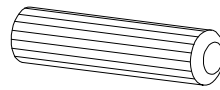


5 x 2

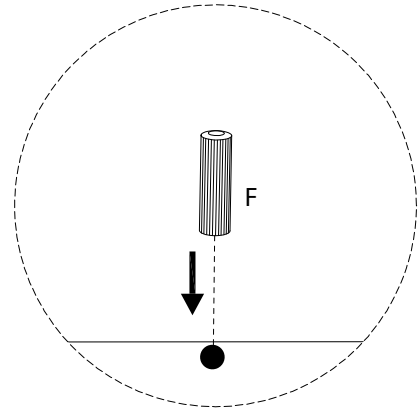
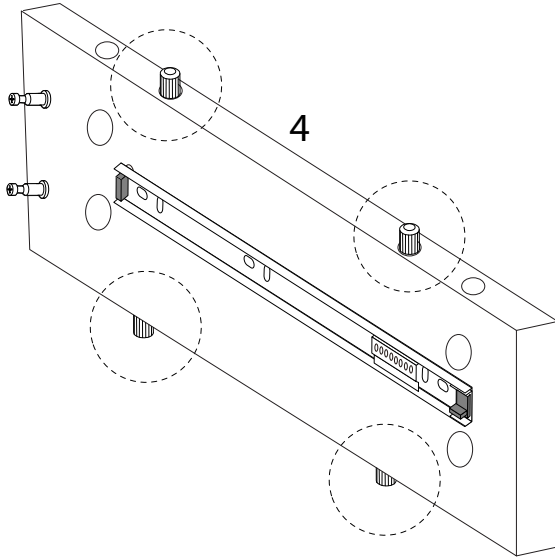


6 x 2

F

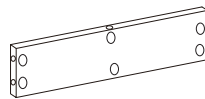


x 4

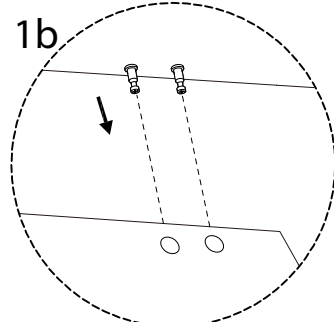
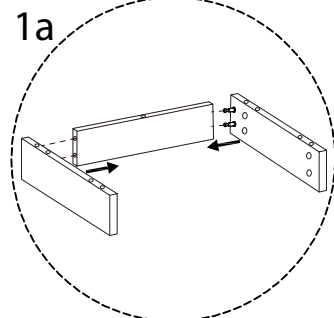
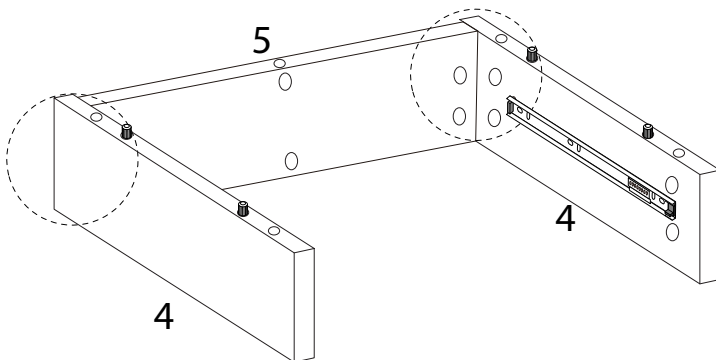


7

5



x 1

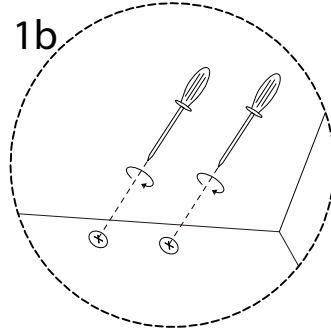
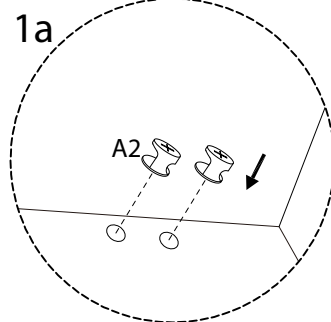
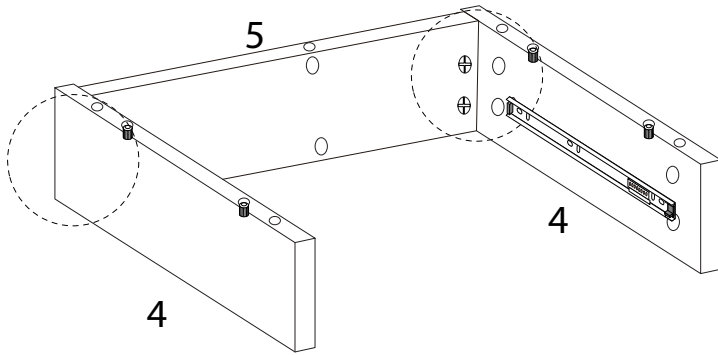


8

A2



x 4

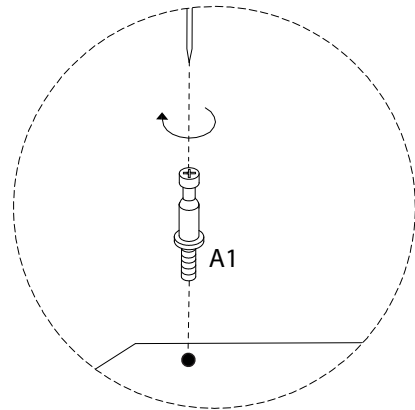
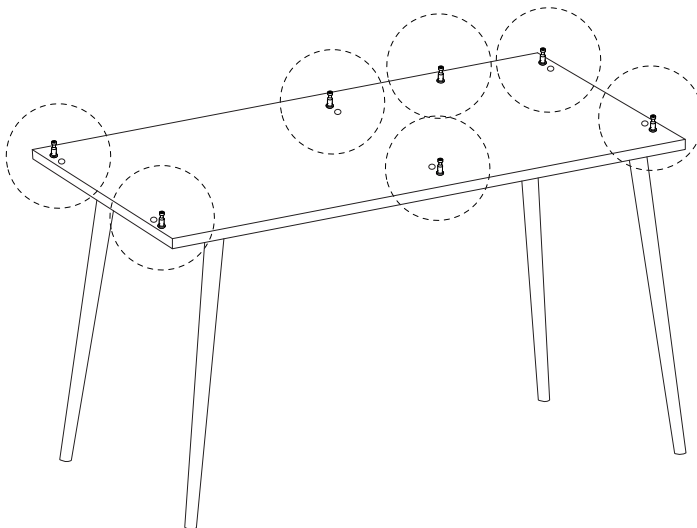


9

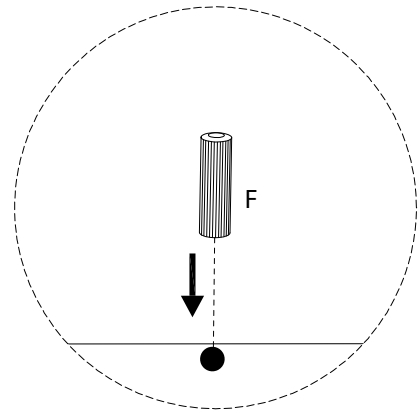
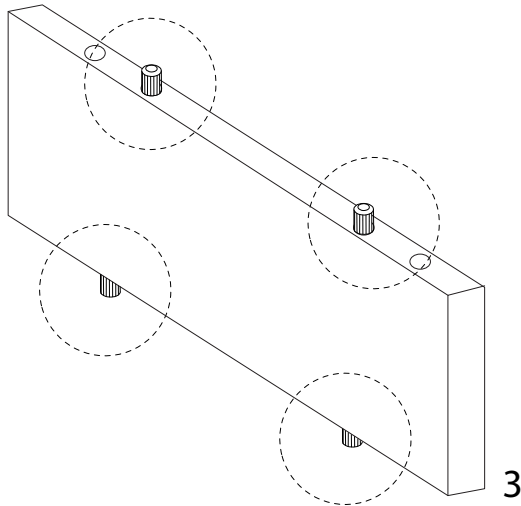
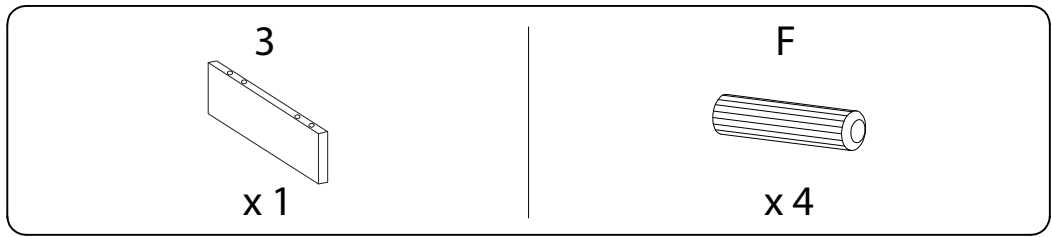
A1



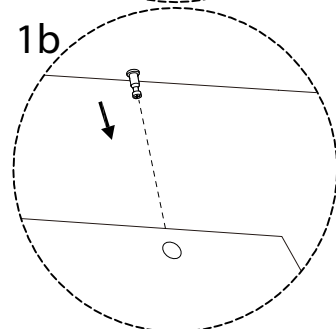
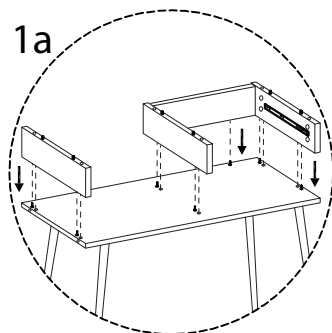
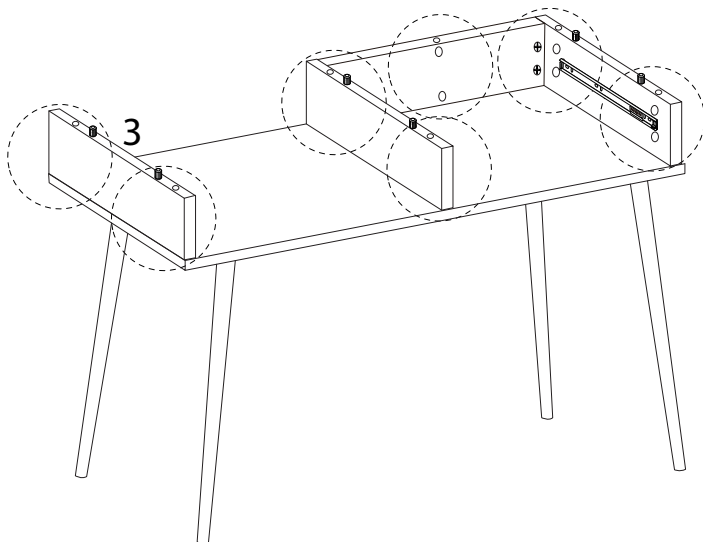
x 7



10

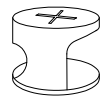


11

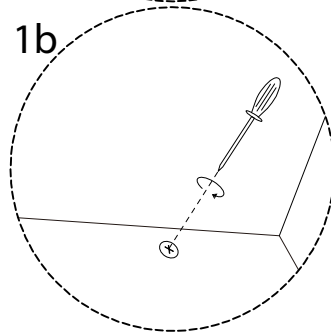
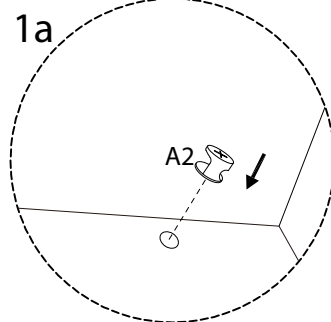
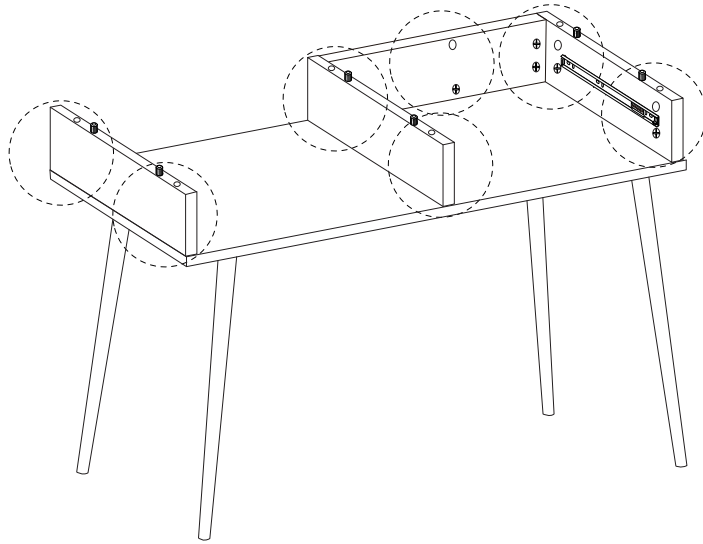


12

A2

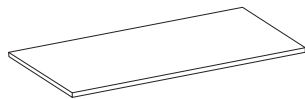


x 7



13

1

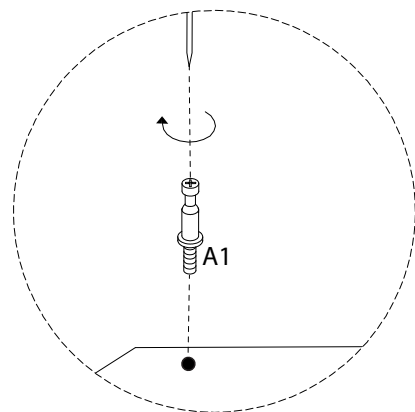
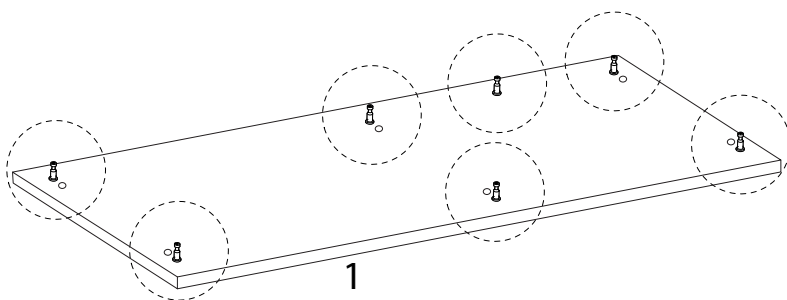


x 1

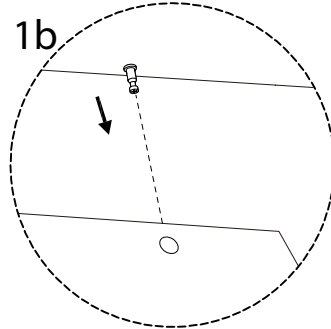
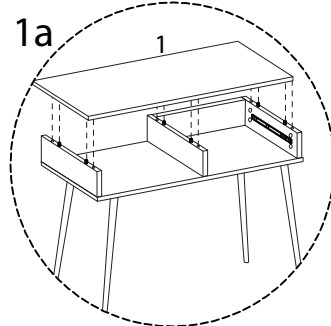
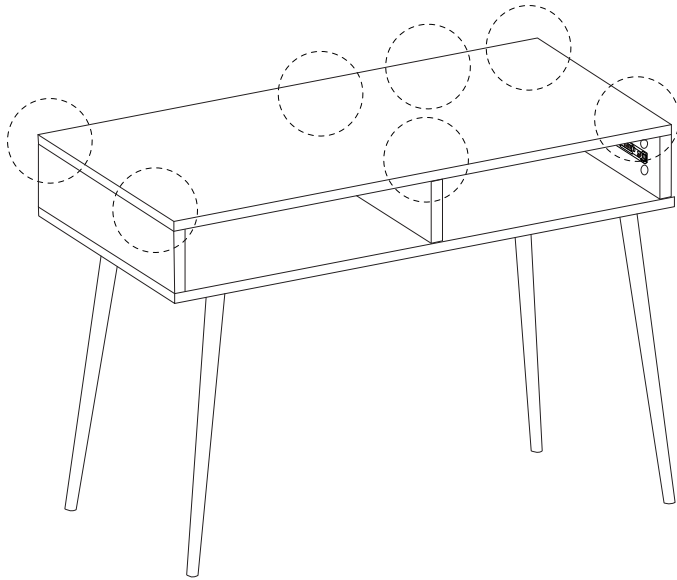
A1



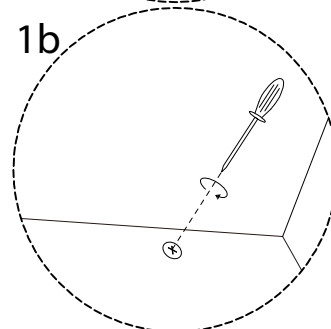
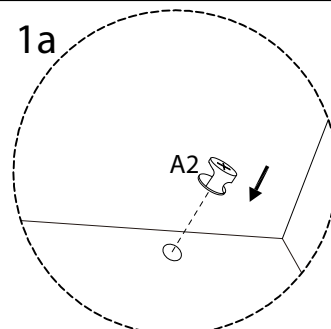
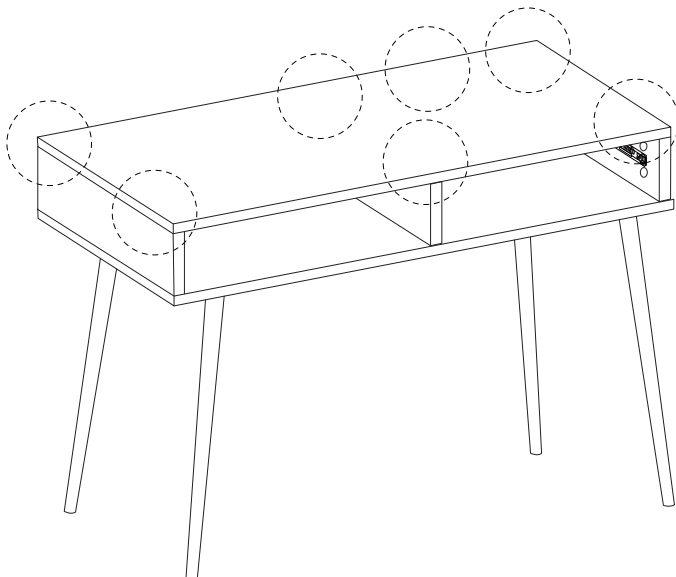
x 7



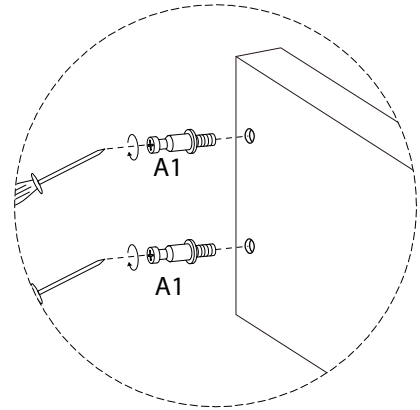
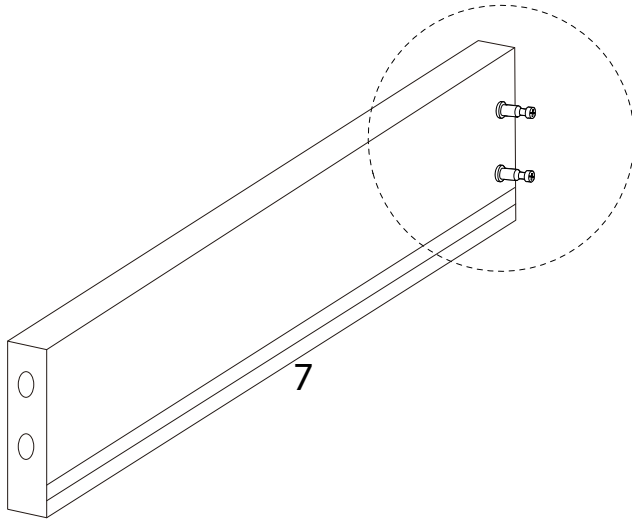
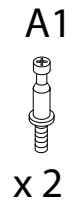
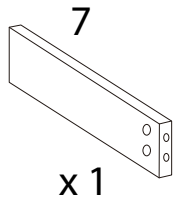
14



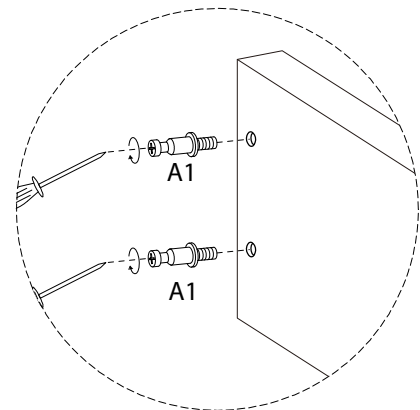
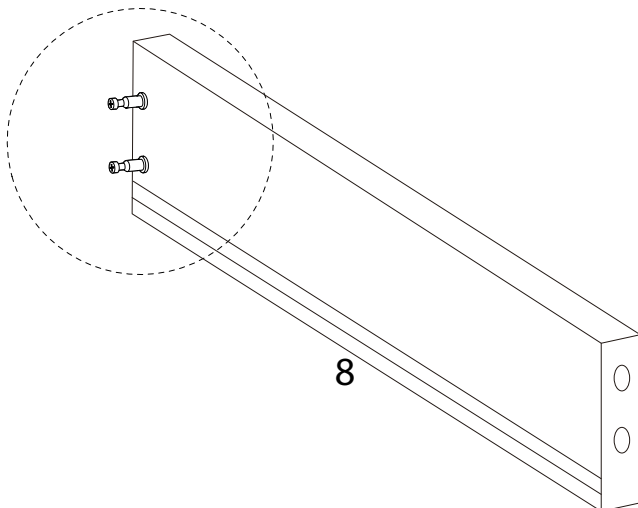
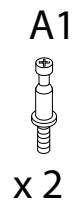
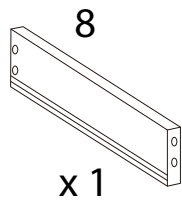
15



16

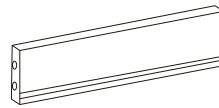


17

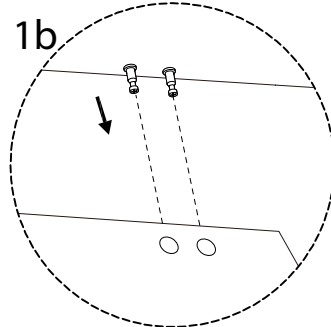
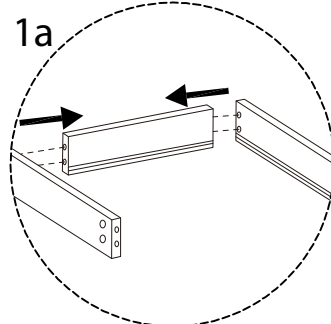
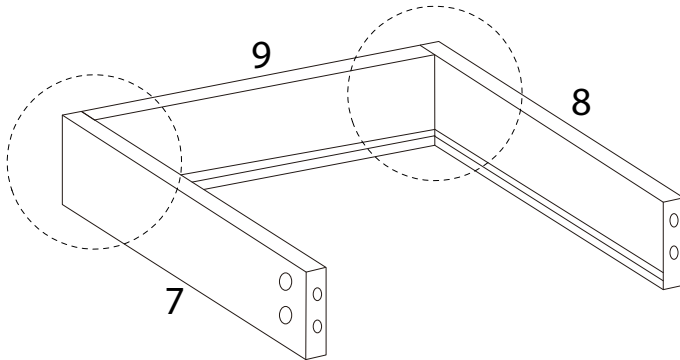


18

9



x 1

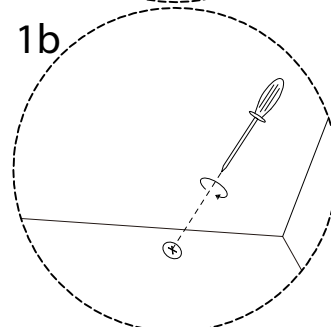
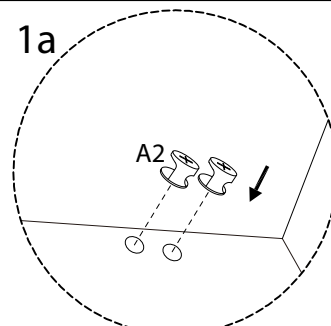
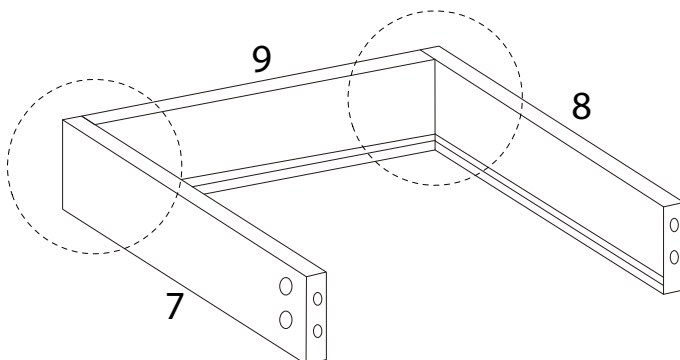


19

A2

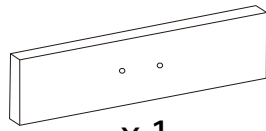


x 4



20

6

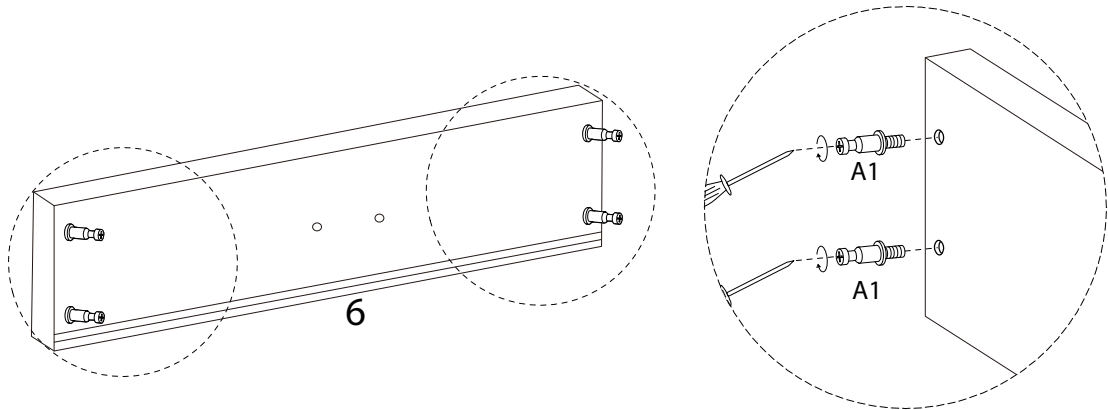


x 1

A1

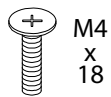


x 4



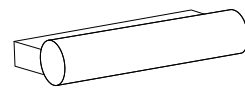
21

D

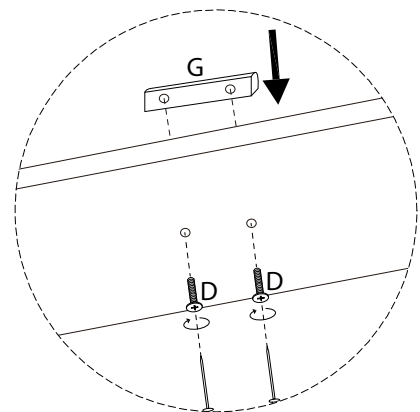
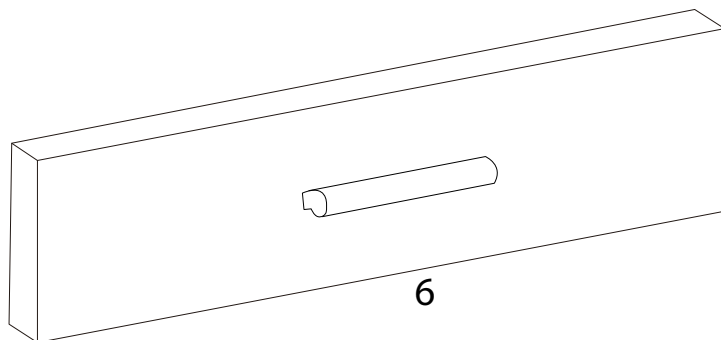


x 2

G

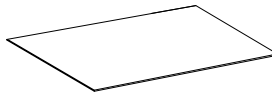


x 1

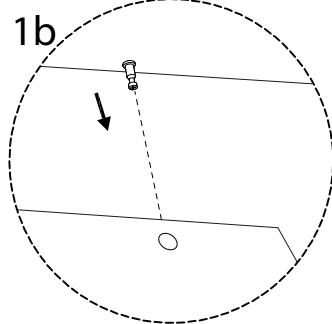
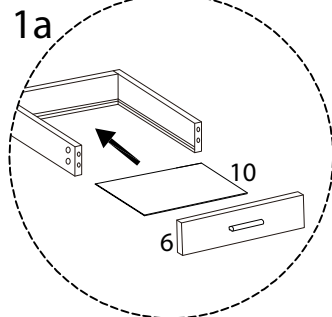
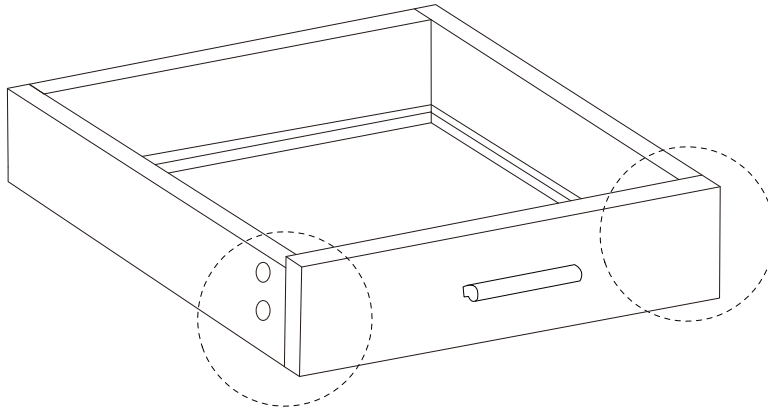


22

10



x 1

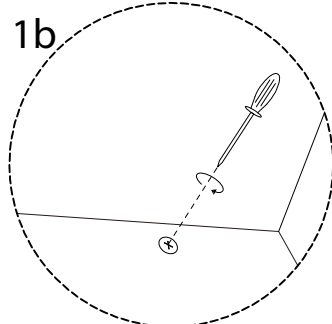
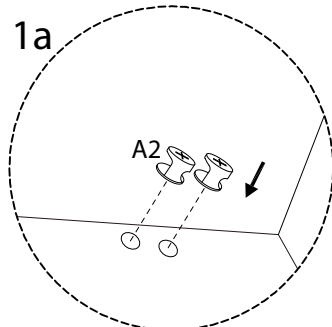
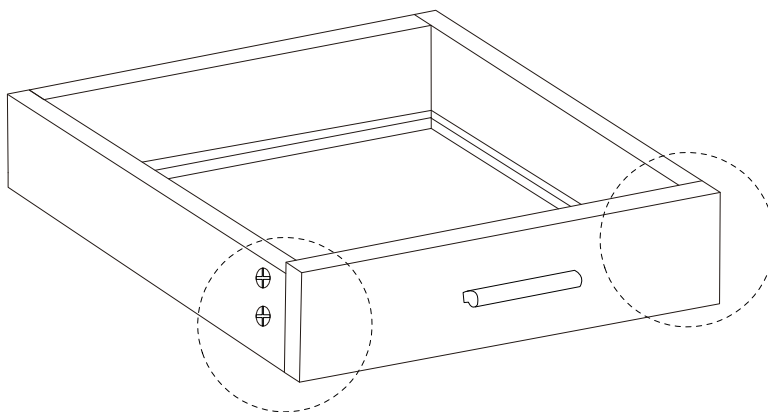


23

A2

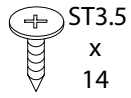


x 4



24

C

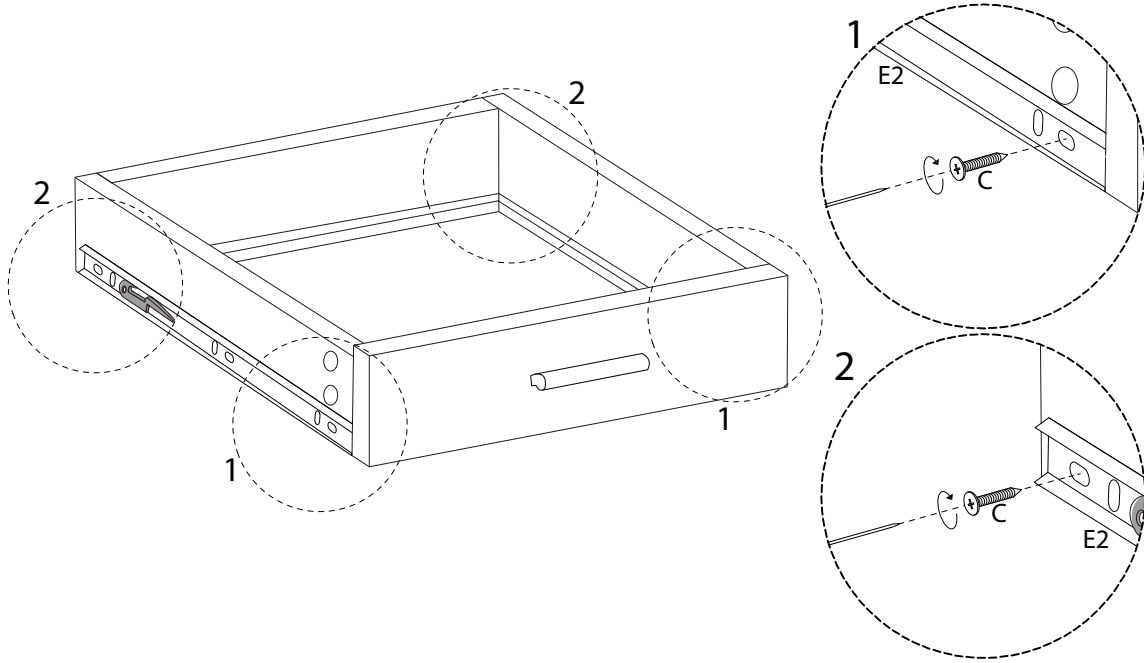


x 4

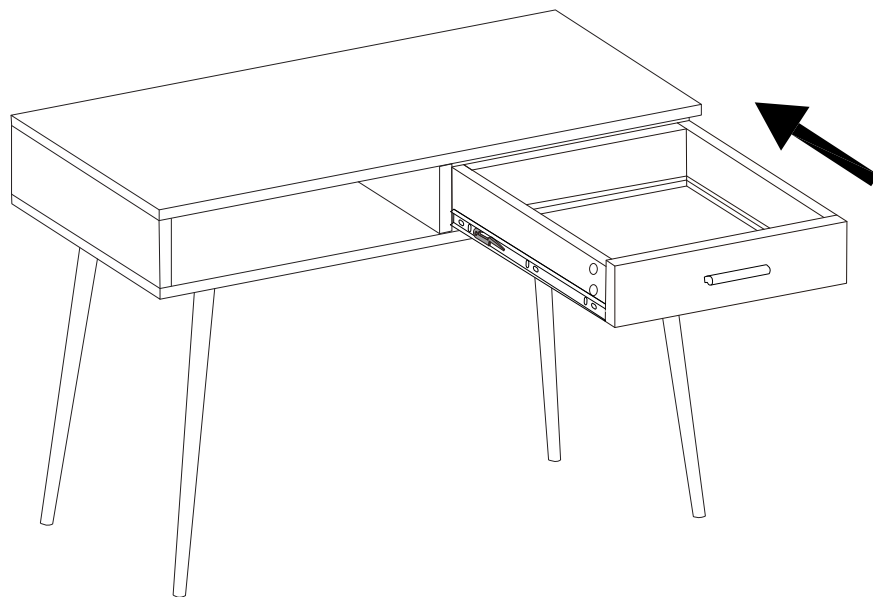
E2



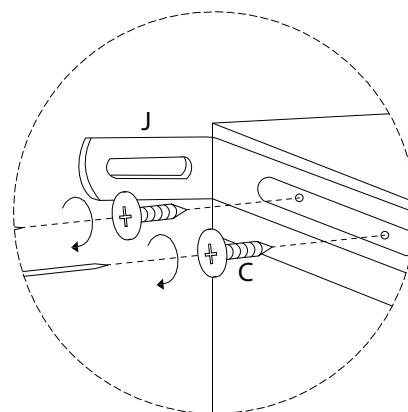
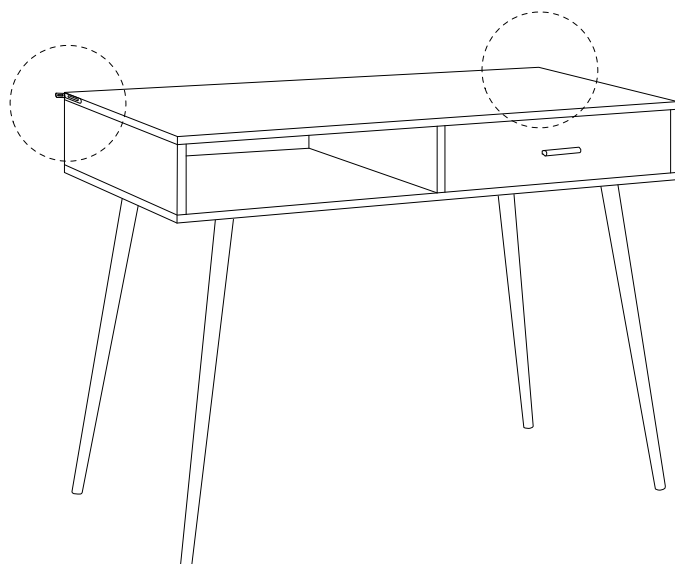
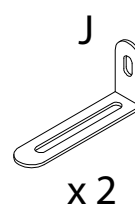
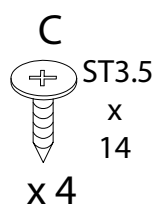
x 2



25



26



27

