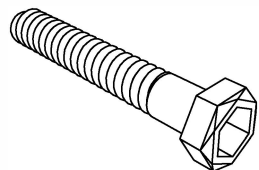
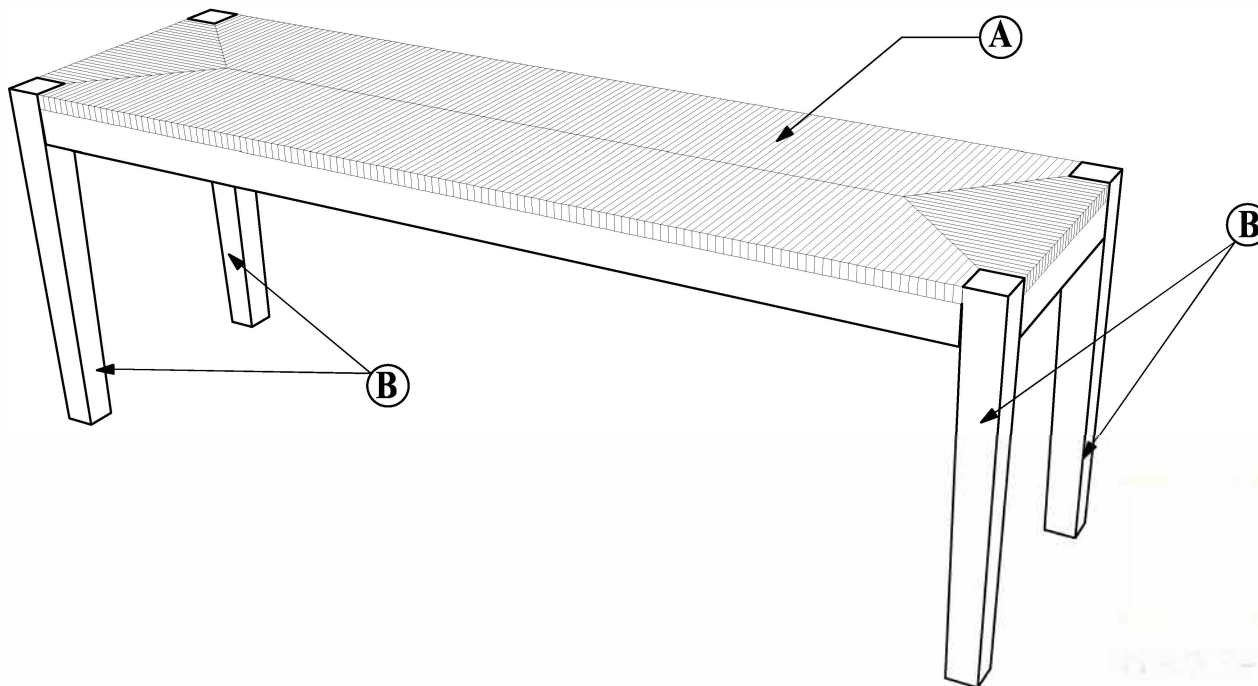
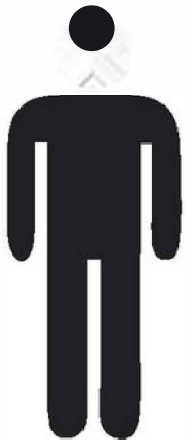
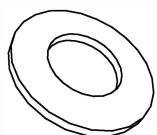


ASSEMBLE INSTRUCTION



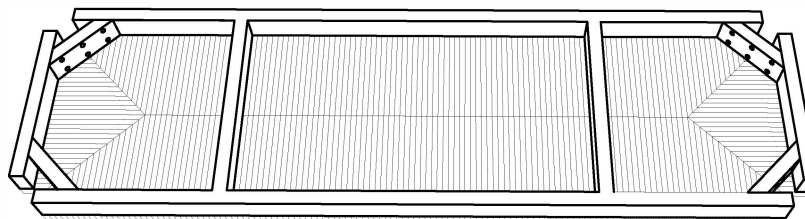
C) Bolt x 8



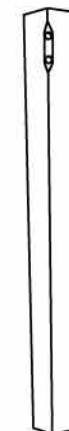
(1) washer x 8



Q) Hex Wrenches x 1



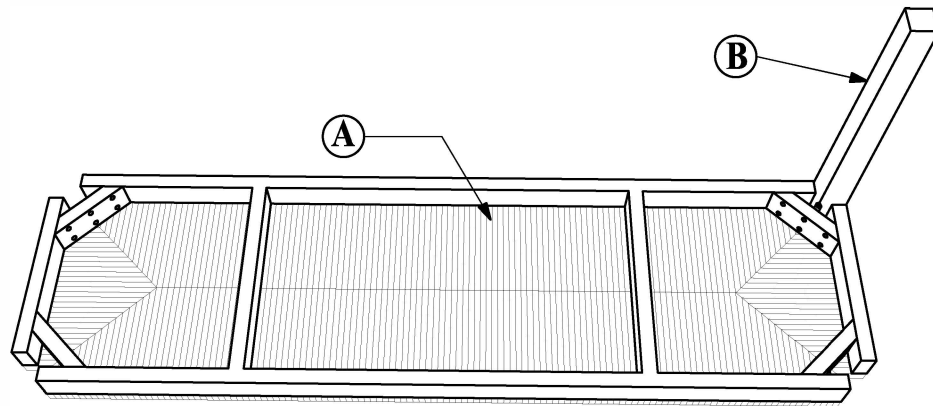
@ x1



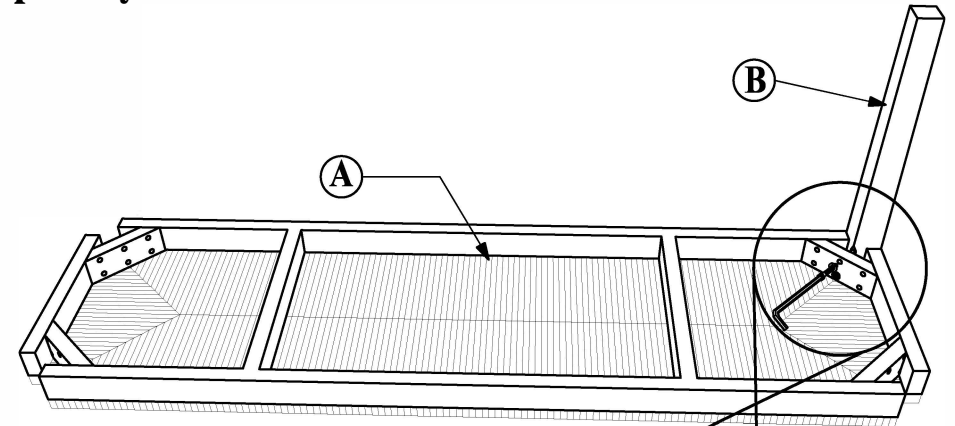
@ x4

ASSEMBLE INSTRUCTION

Step 1 : Put the legs in to the bench.



Step 2 : use hex wrenches to connect the legs with seat part by bolt and washer.



Step 3 : Repeat step 1 and step 2 for the other three legs.

