

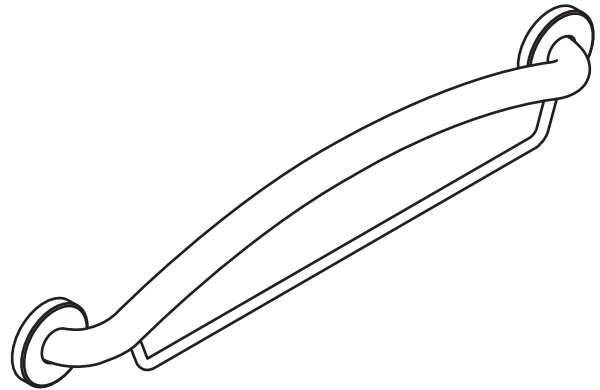
# PLUS Towel Bar

with Support Rail

## Technical Data Sheet

### Product Specification

The product shall be a combination towel bar and grab rail. The product shall have flange covers that conceal the mounting hardware. All components of the product shall be constructed of #304 stainless steel, suitable for use in wet environments. The grab rail portion of the product shall be 1.25" / 3.2cm in diameter. The product shall have a weight capacity of 500lbs / 227kg. Product shall comply with ADA Guidelines, specifying the structural strength of grab bars, tubs and shower seats. The grab rail shall be HealthCraft model PLUS-TB24-\_\_\_\_ (see table below for appropriate product code).



### Key Features

- 2-in-1 Bathroom Accessory with with Integrated Support
- Solid Construction and Mounting
- Suitable For Use in a Wet Environment
- 500lbs / 227kg Weight Capacity \*ADA Compliant

### Codes and Standards

- ADA 609.2 Cross Section
- ADA 609.3 Spacing
- ADA 609.8 Structural Strength



### Specified Model

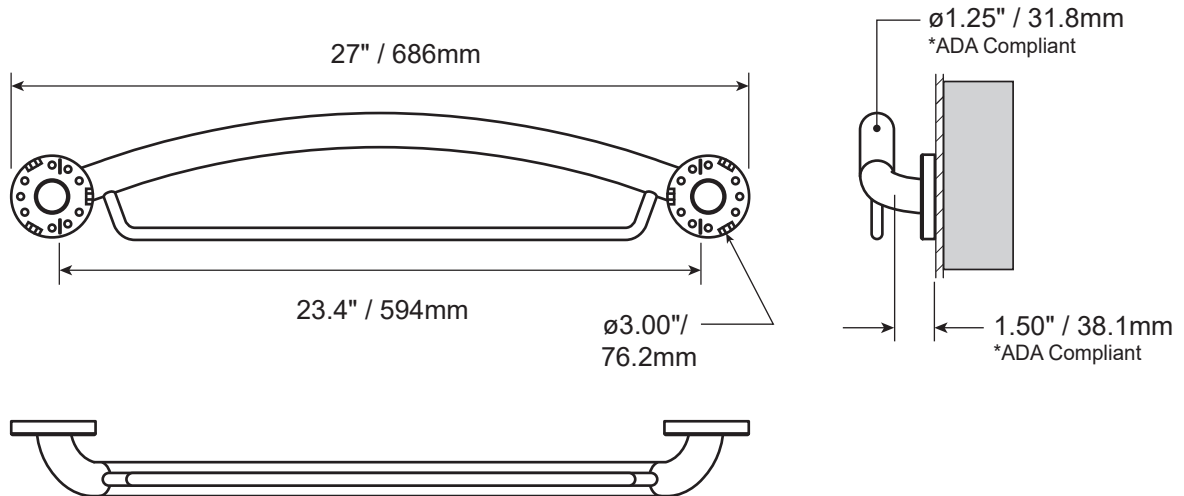
| Model         | Finish          | Material             |
|---------------|-----------------|----------------------|
| PLUS-TB24-BLK | Matte Black     | #304 Stainless Steel |
| PLUS-TB24-BS  | Brushed         |                      |
| PLUS-TB24-CP  | Polished Chrome |                      |

# PLUS Towel Bar

with Support Rail

## Technical Data Sheet

### Product Dimensions



### Shipping Dimensions

| Model | Height (H)    | Width (W)      | Depth (D)      | Weight           |
|-------|---------------|----------------|----------------|------------------|
| TB    | 3.15" / 8.0cm | 27.6" / 70.0cm | 5.12" / 13.0cm | 2.30lbs / 1.04kg |

