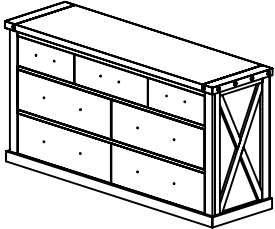
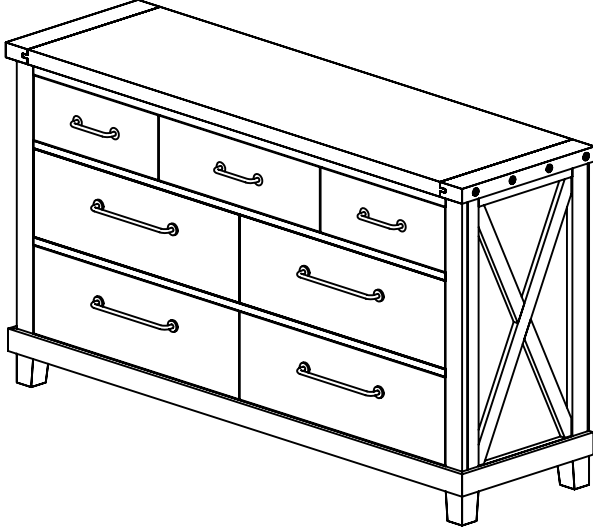


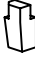




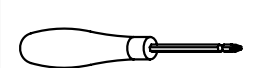


# DRESSER ASSEMBLY INSTRUCTIONS

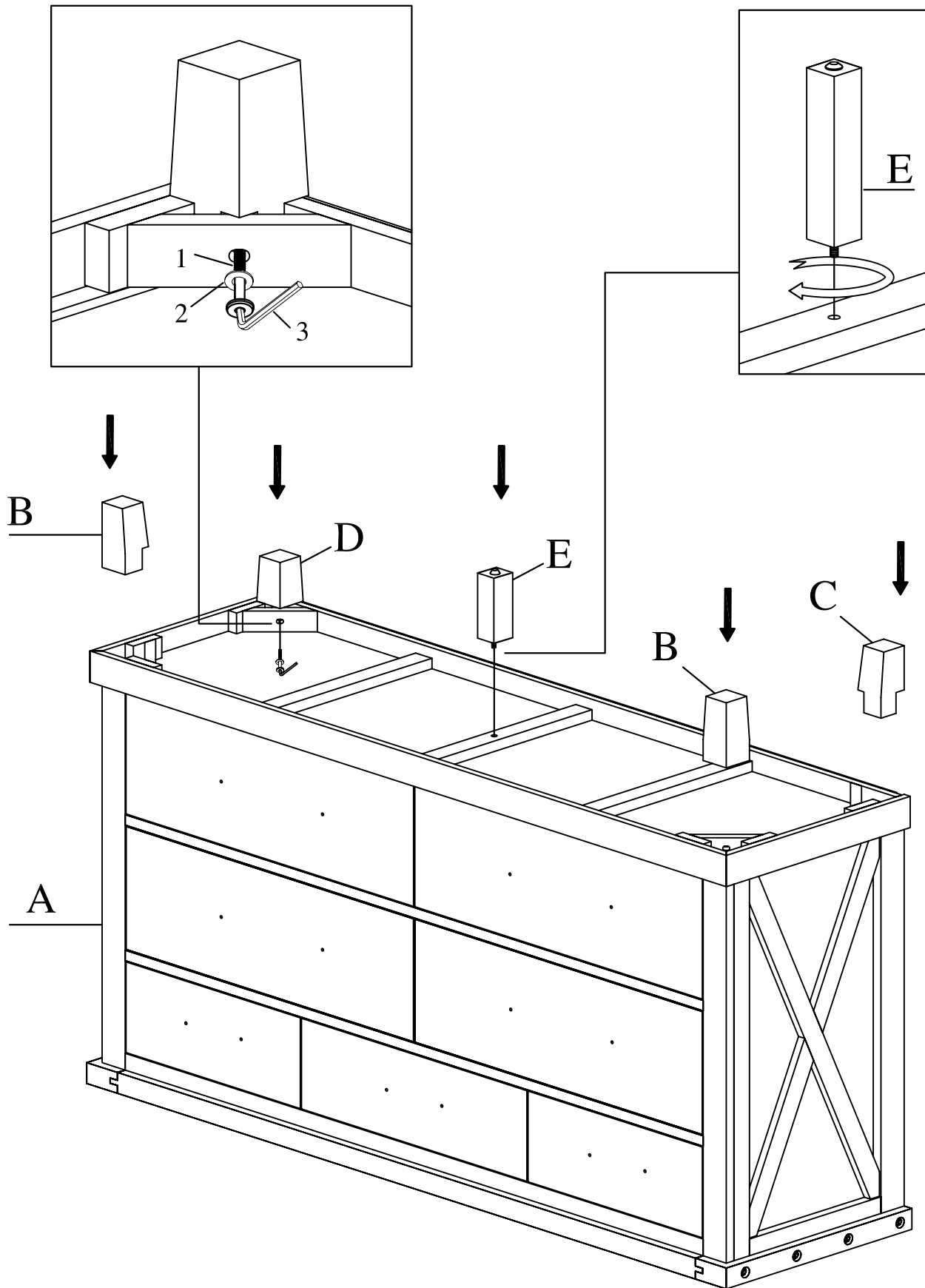
<p>A. DRESSER 1PC</p> 	<p><b>DRESSER ASSEMBLED</b></p> 
<p>B. FRONT LEGS 2PCS</p> 	
<p>C. BACK LEFT LEG 1PC</p> 	
<p>D. BACK RIGHT LEG 1PC</p> 	
<p>E. LEG 1PC</p> 	

## HARDWARE ARE PACKED IN BOX

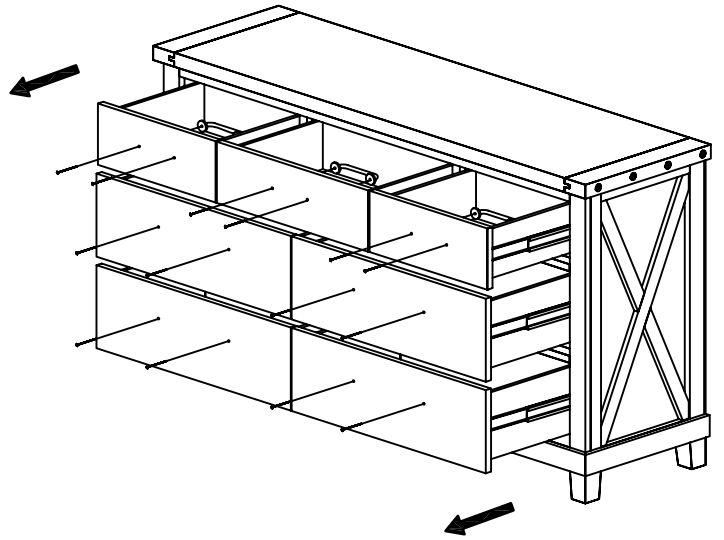
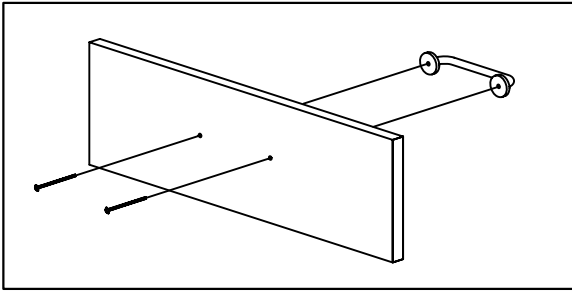
1	ALLEN BOLT M6 x 50 MM	04 PCS	2	WASHER M8	04 PCS	3	ALLENKEY (4MM)	01 PC
								
<p><b>TOOL REQUIRED</b></p> <p>PHILLS HEAD SCREW DRIVER NOT PROVIDED</p>								

**STEP 1:**

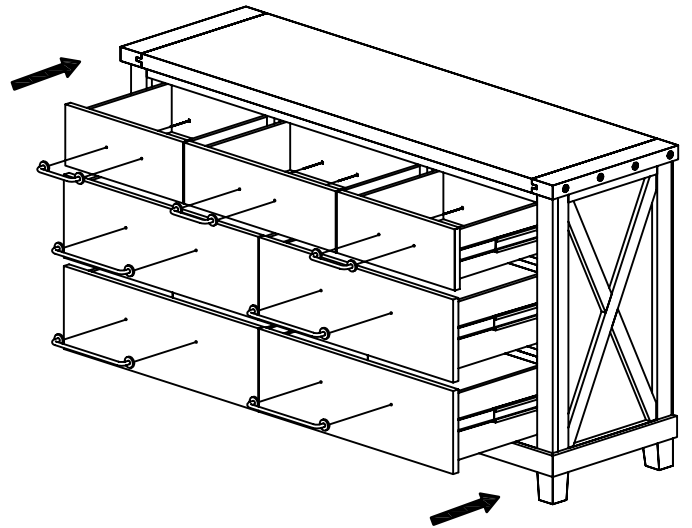
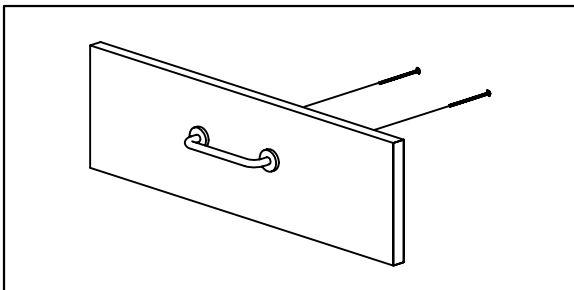
**FASTEN THE LEG (B),(C),(D),(E) TO THE DRESSER (A), WITH BOLTS (1) AND WASHERS (2).**



**STEP 2:**  
PULL OUT AND REMOVE HANDLE.



**STEP 3:**  
ASSEMBLE HANDLE.



**STEP 4:**  
ASSEMBLY COMPLETE.

