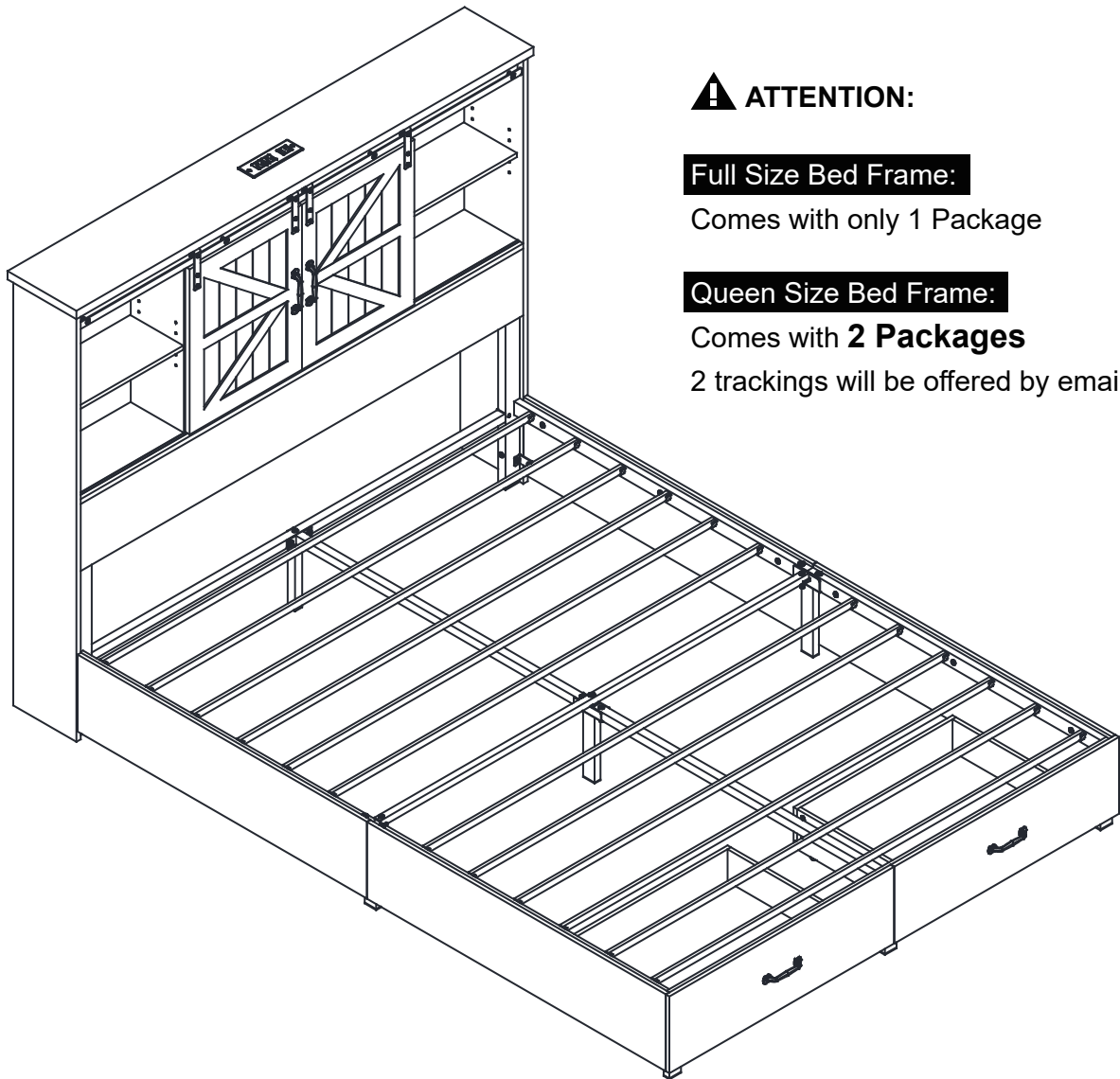


Bookcase Storage Bed Frame Assembly Instructions



⚠ ATTENTION:

Full Size Bed Frame:

Comes with only 1 Package

Queen Size Bed Frame:

Comes with **2 Packages**

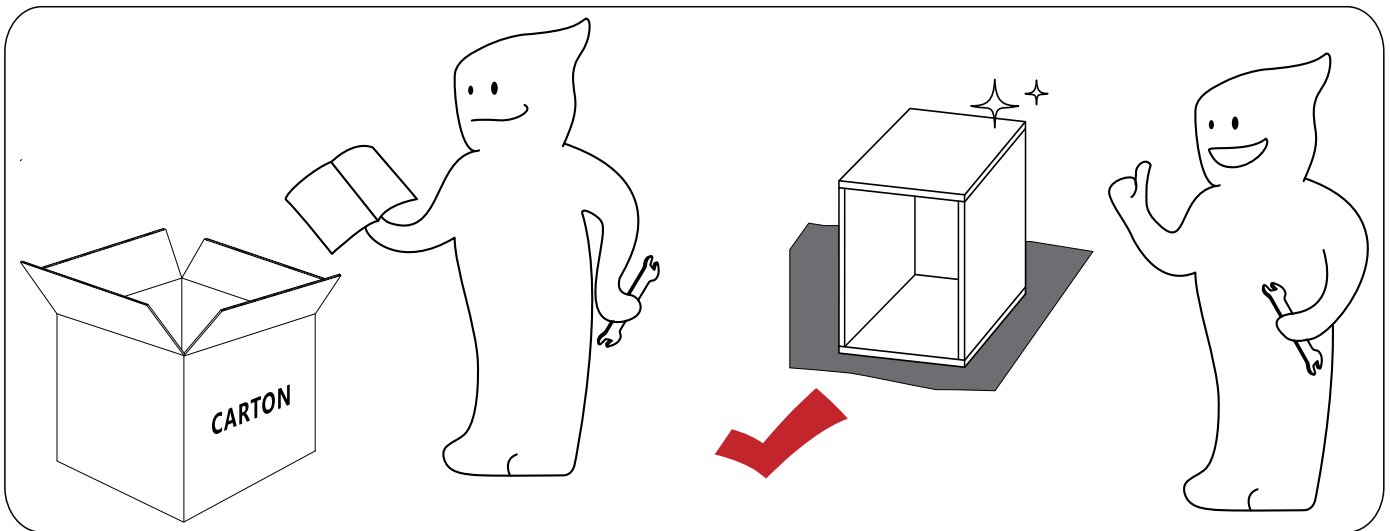
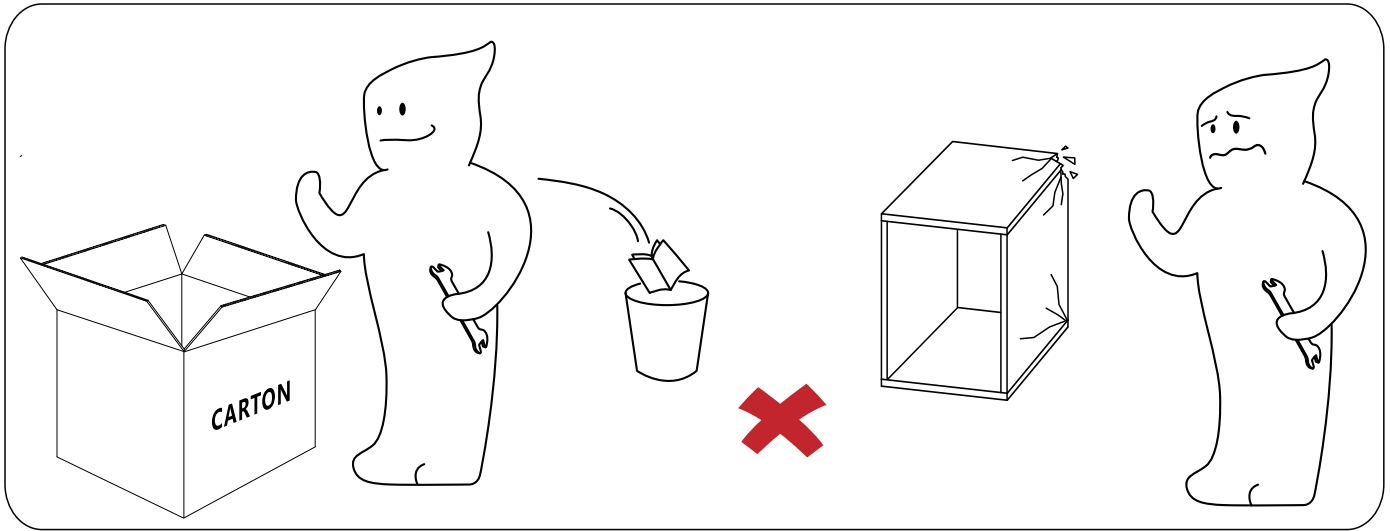
2 trackings will be offered by email

🧑 Friendly Customer Service

Satisfaction Guarantees: Any problems with assembly, quality, or return, please feel free to contact us directly.

! IMPORTANT

Please follow the instruction manuals and use a pad to protect the product during your assembly.



Note:

1. Should be assembled on soft surface to keep balance.




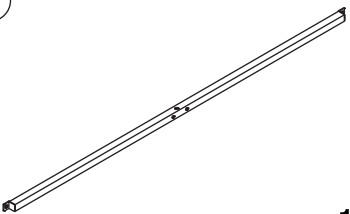

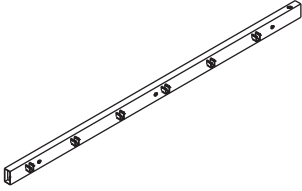
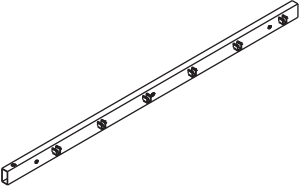

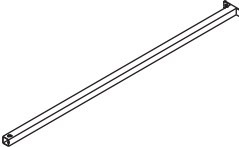
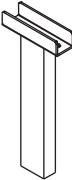
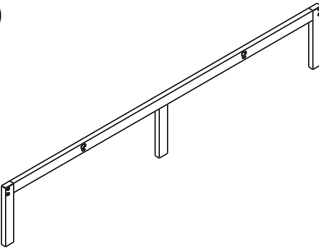
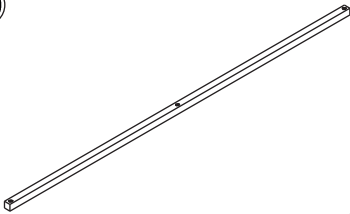
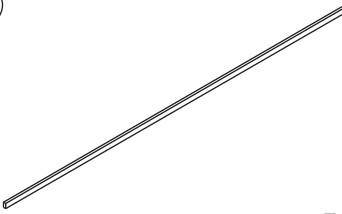
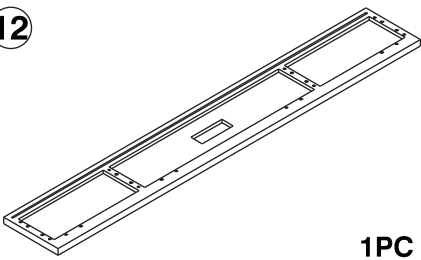
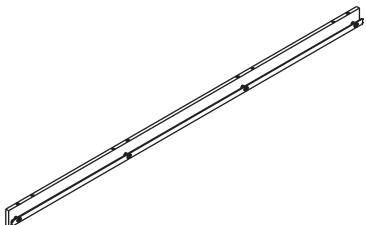
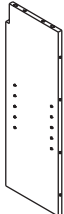

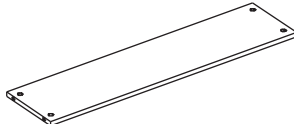
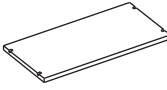
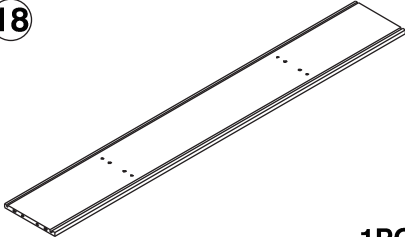
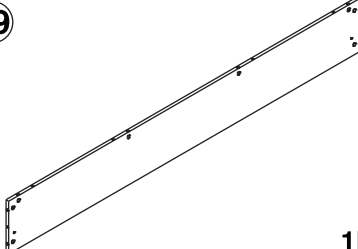
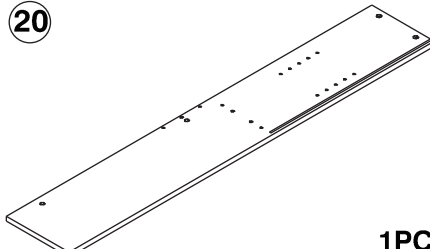
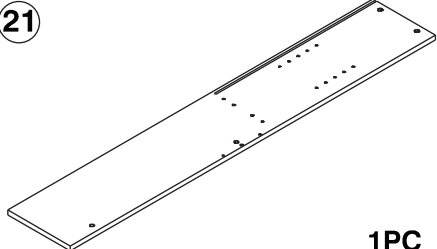
Recommend 2 or more adults for quicker assembly.



Take 2 adults about 3 hours to finish assembly.

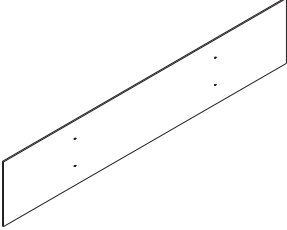
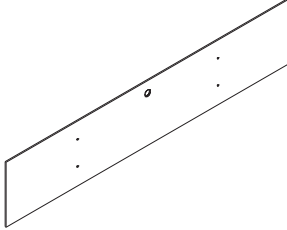
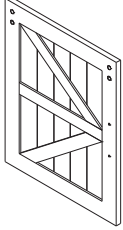

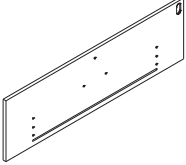
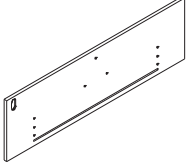
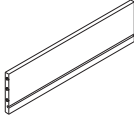
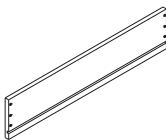
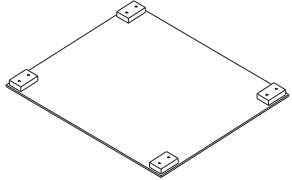
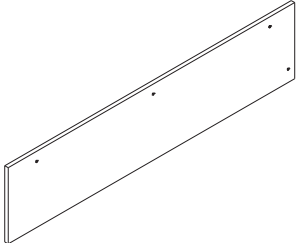
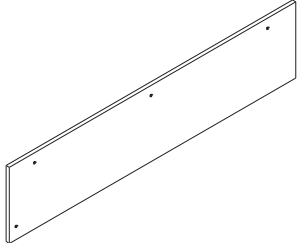
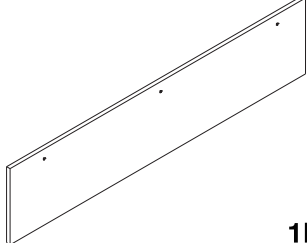
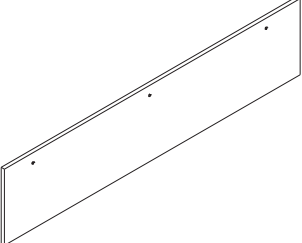

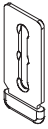
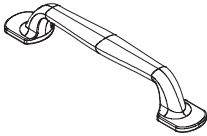
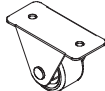
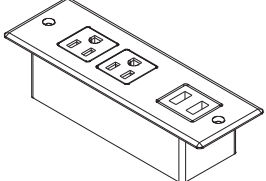
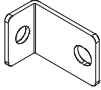
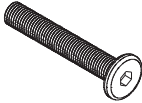
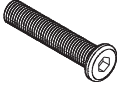
ASSEMBLY INSTRUCTIONS

PARTS LIST

 <p>1</p> <p>2PCS</p>	 <p>2</p> <p>1PC</p>	 <p>3</p> <p>1PC</p>
 <p>4</p> <p>2PCS</p>	 <p>5</p> <p>2PCS</p>	 <p>6</p> <p>2PCS</p>
 <p>7</p> <p>2PCS</p>	 <p>8</p> <p>1PC</p>	 <p>9</p> <p>1PC</p>
 <p>10</p> <p>1PC</p>	 <p>11</p> <p>12PCS</p>	 <p>12</p> <p>1PC</p>
 <p>13</p> <p>1PC</p>	 <p>14</p> <p>1PC</p>	 <p>15</p> <p>1PC</p>
 <p>16</p> <p>1PC</p>	 <p>17</p> <p>2PCS</p>	 <p>18</p> <p>1PC</p>
 <p>19</p> <p>1PC</p>	 <p>20</p> <p>1PC</p>	 <p>21</p> <p>1PC</p>




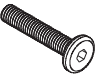
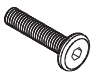
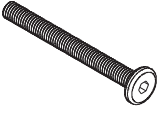
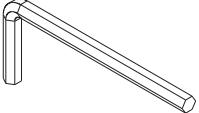
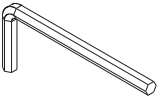


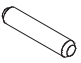






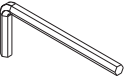
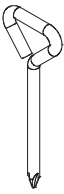

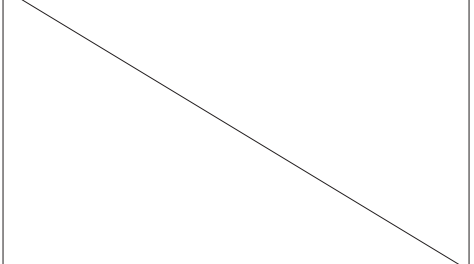
ASSEMBLY INSTRUCTIONS

PARTS LIST

<p>22</p>  <p>1PC</p>	<p>23</p>  <p>1PC</p>	<p>24</p>  <p>1PC</p>
<p>25</p>  <p>1PC</p>	<p>26</p>  <p>1PC</p>	<p>27</p>  <p>1PC</p>
<p>28</p>  <p>4PCS</p>	<p>29</p>  <p>2PCS</p>	<p>30</p>  <p>2PCS</p>
<p>31</p>  <p>1PC</p>	<p>32</p>  <p>1PC</p>	<p>33</p>  <p>1PC</p>
<p>34</p>  <p>1PC</p>	<p>35</p>  <p>4PCS</p>	<p>36</p>  <p>4PCS</p>
<p>37</p>  <p>4PCS</p>	<p>38</p>  <p>8+1PCS</p>	<p>39</p>  <p>1PC</p>
<p>40</p>  <p>2PCS</p>	<p>A</p>  <p>M8x50 5+1PCS</p>	<p>B</p>  <p>M8x40 13+1PCS</p>

ASSEMBLY INSTRUCTIONS

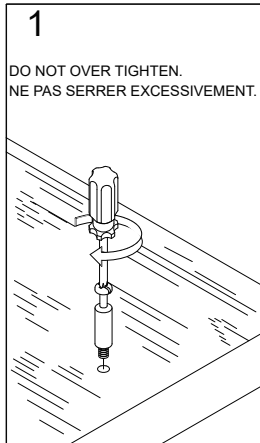
PARTS LIST

<p>C</p>  <p>M8x12 6+1PCS</p>	<p>D</p>  <p>M6x10 6+1PCS</p>	<p>E</p>  <p>M6x12 8+1PCS</p>
<p>F</p>  <p>M6x32 2PCS</p>	<p>G</p>  <p>M6x28 12+1PCS</p>	<p>H</p>  <p>M8x60 4+1PCS</p>
<p>I</p>  <p>5MM 1PC</p>	<p>J</p>  <p>4MM 1PC</p>	<p>K</p>  <p>05*35 44+4PCS</p>
<p>L</p>  <p>015*9.5 44+4PCS</p>	<p>M</p>  <p>06*30 34+4PCS</p>	<p>N</p>  <p>05*28 12+1PCS</p>
<p>O</p>  <p>M4x18 4+1PCS</p>	<p>P</p>  <p>M4x15 4+1PCS</p>	<p>Q</p>  <p>05*16 8+2PCS</p>
<p>R</p>  <p>03.5*12 16+2PCS</p>	<p>S</p>  <p>04*12 10+2PCS</p>	<p>T</p>  <p>3MM 1PC</p>
<p>U</p>  <p>1PC</p>	<p>V</p>  <p>1PC</p>	

Using Camlocks

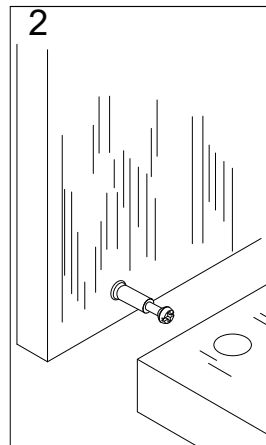
Step 1

Connect the male camlock as directed in the assembly instructions using a screwdriver.



Step 2

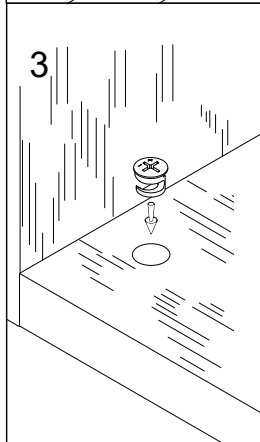
Push the male camlock into the entry hole.



Step 3

Insert the female camlock as shown in the instructions.

Note: ensure that the arrow on the top of the camlock points towards the entry hole for the male camlock.

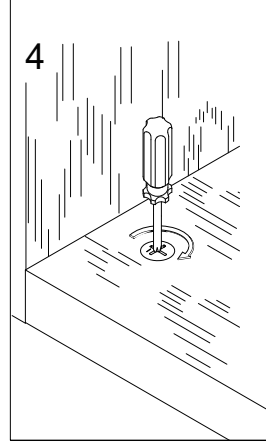


Step 4

Turn the female camlock clockwise with a screwdriver.

You should feel a click when the camlock is locked in place.

The joint is now secure.



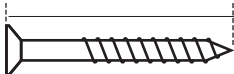
Tools required



Phillips screwdriver
(medium & large)

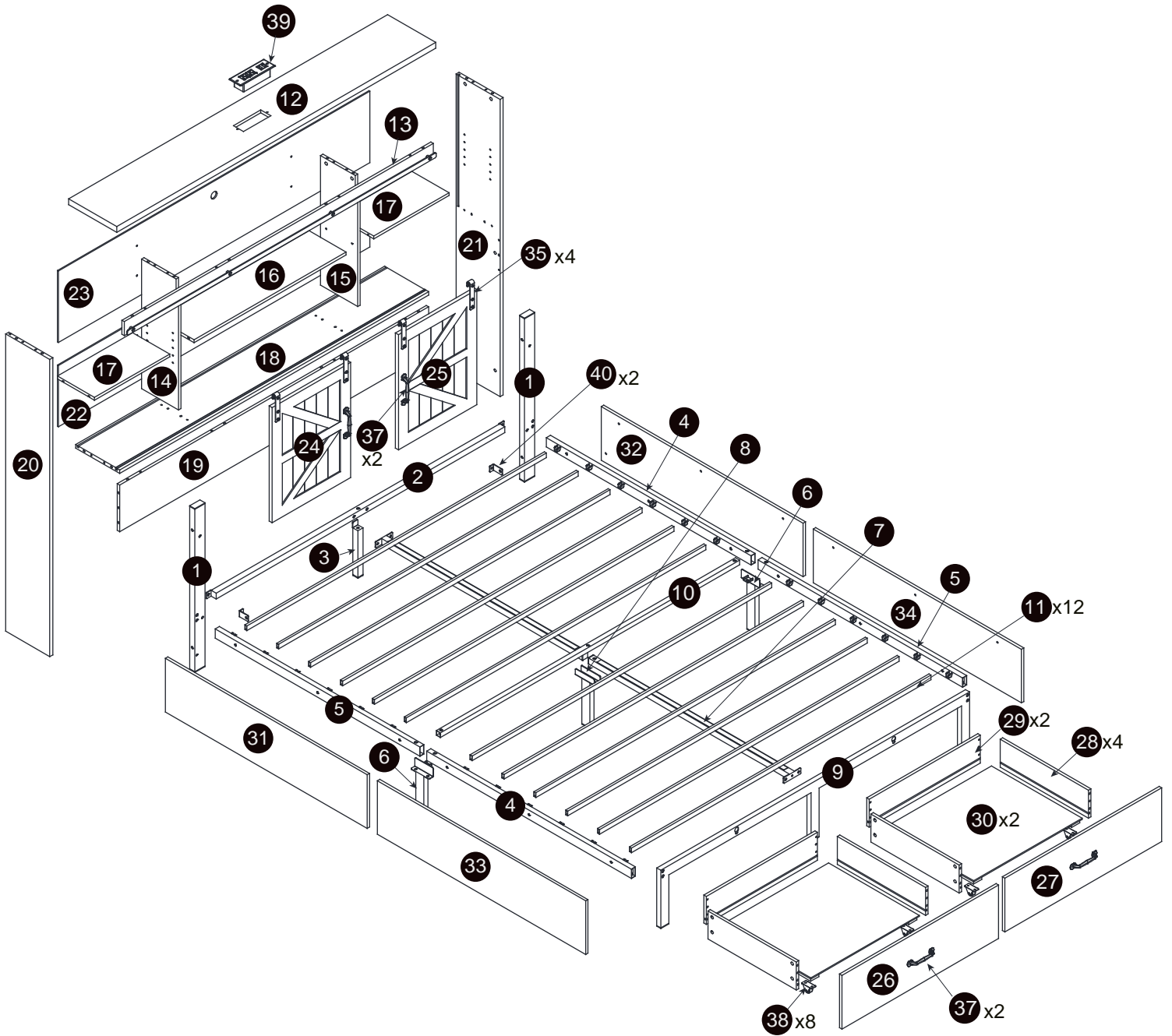
Ruler - Use this ruler to help correctly identify the screws

0 5 10 15 20 25 30 35 40 45 50 55 60 65 70 75 80 85 90 95 100 105 110 115 120 125 130 135 140 145 150 155 160 165 170



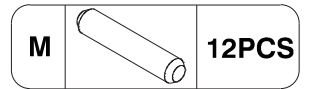
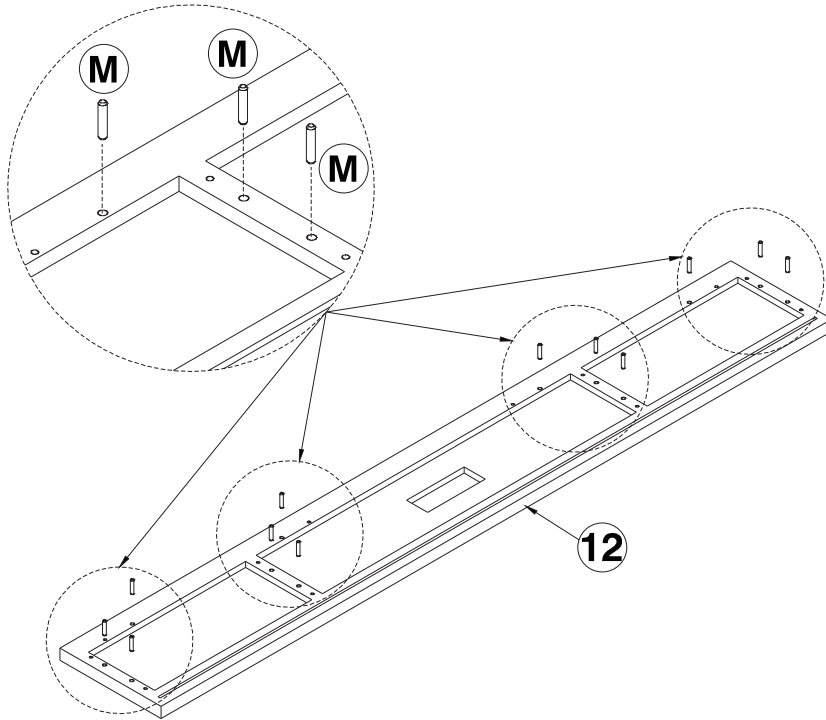
The screws length is measured from the head to the point (30mm screw shown).

ASSEMBLY INSTRUCTIONS

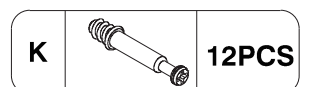
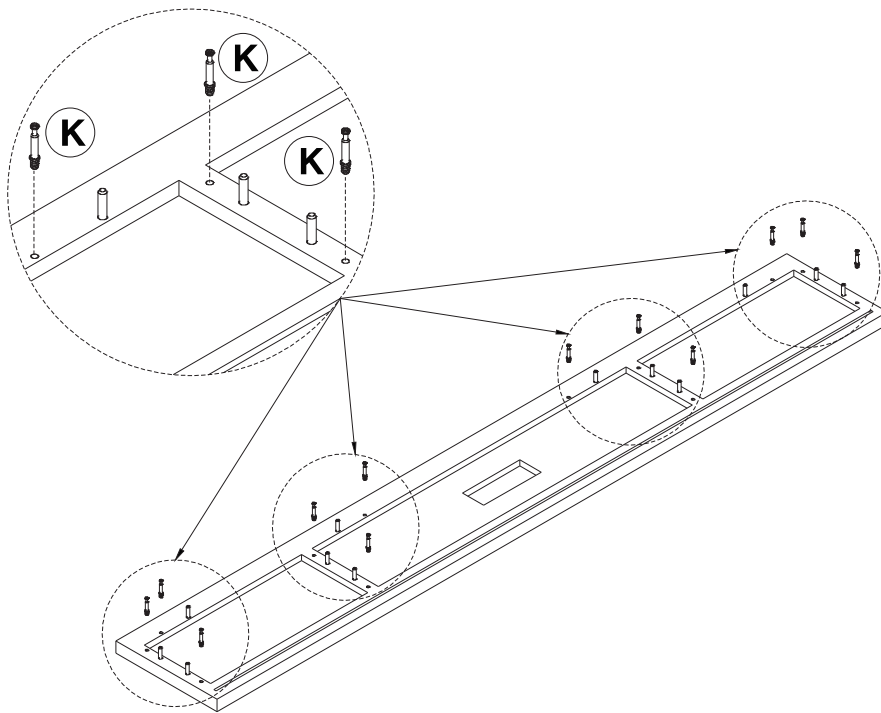


ASSEMBLY INSTRUCTIONS

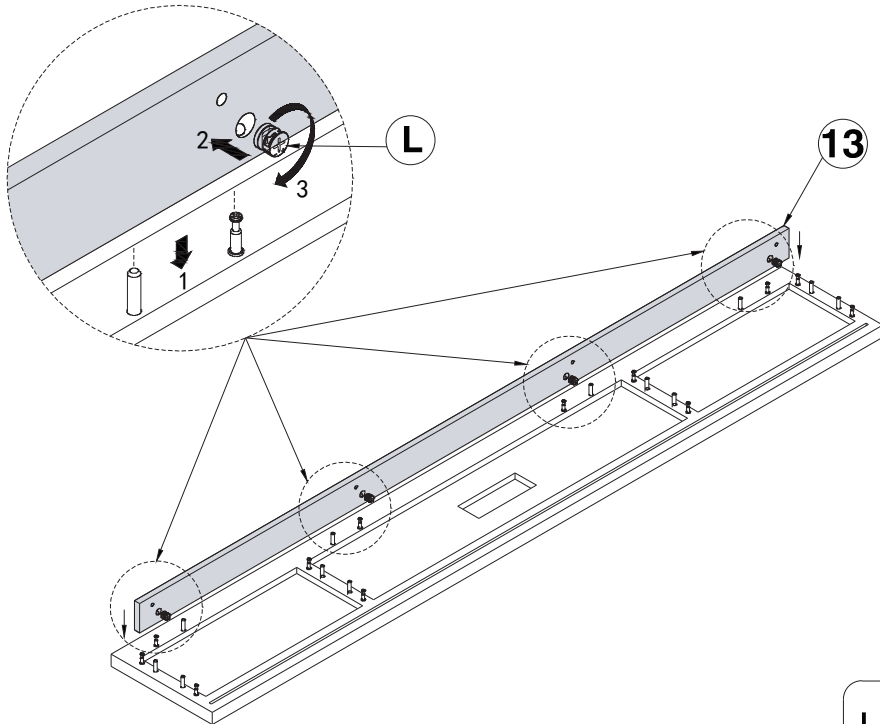
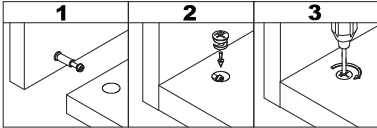
1



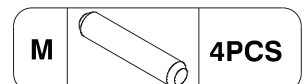
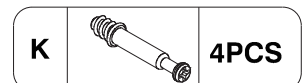
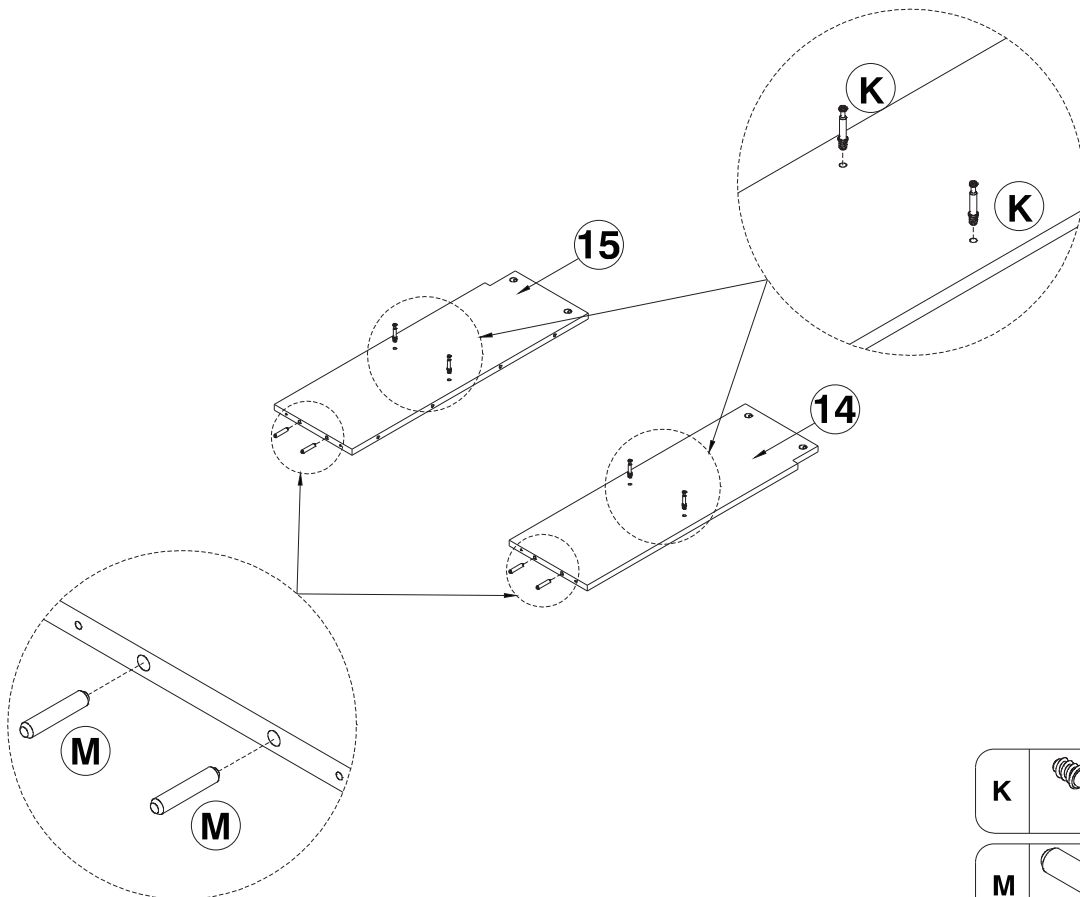
2



3

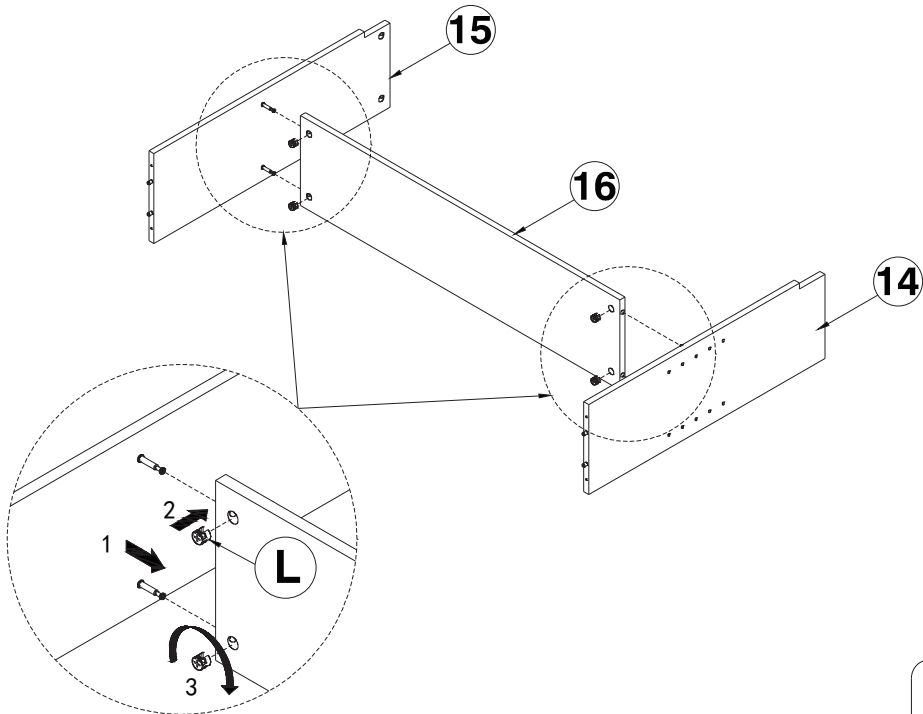
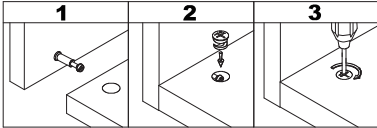


4

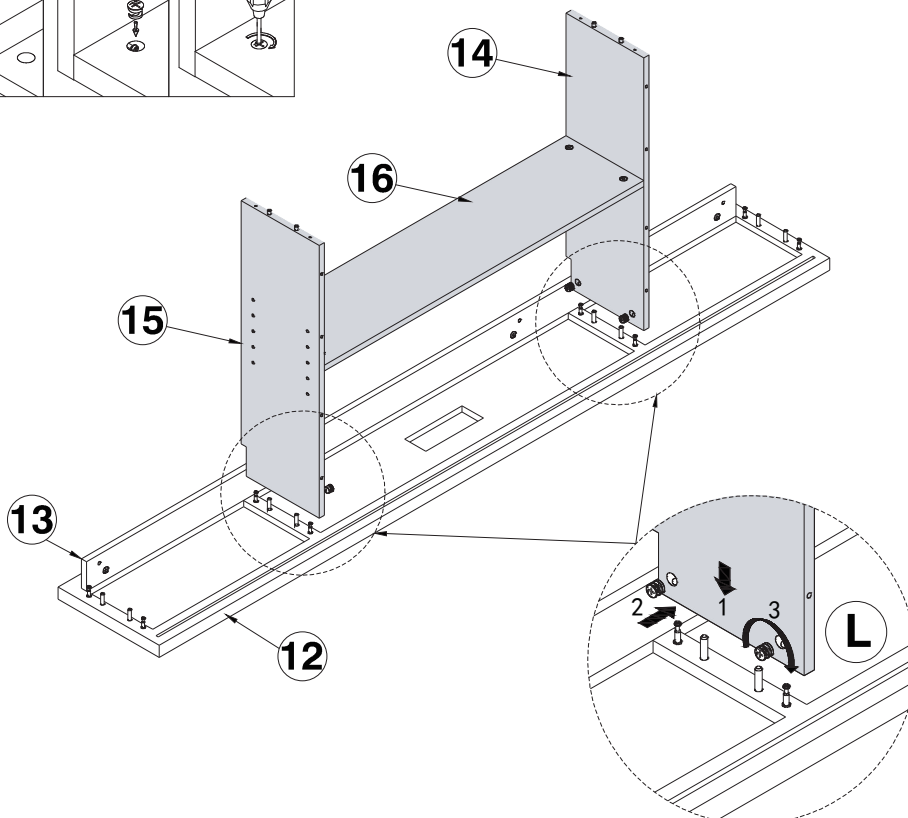
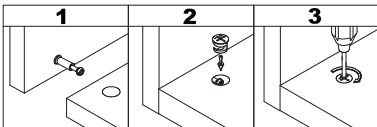


ASSEMBLY INSTRUCTIONS

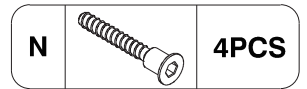
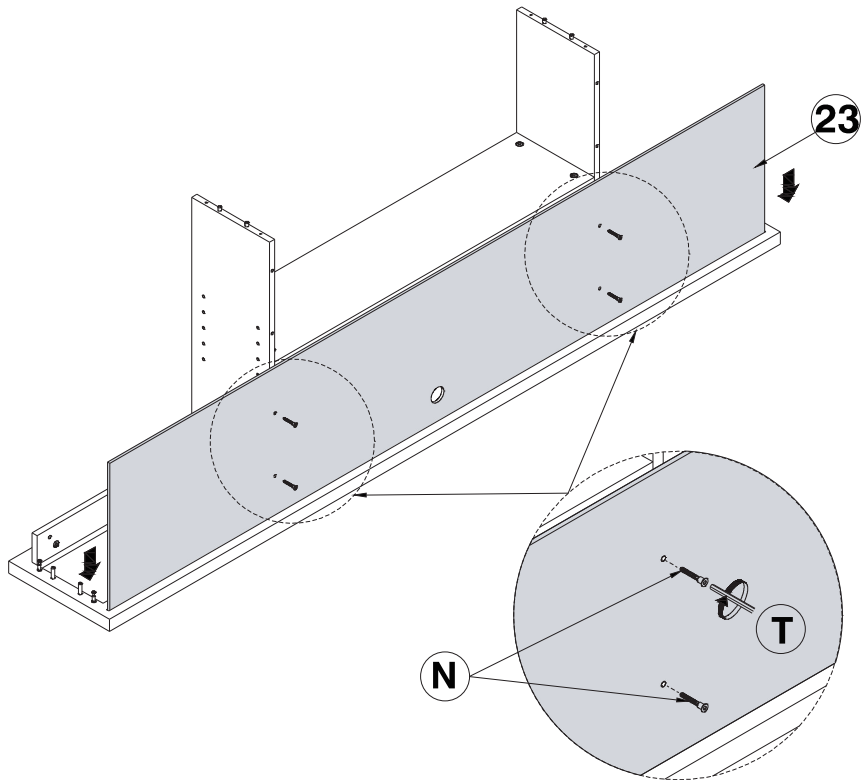
5



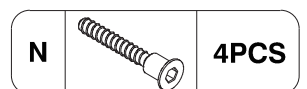
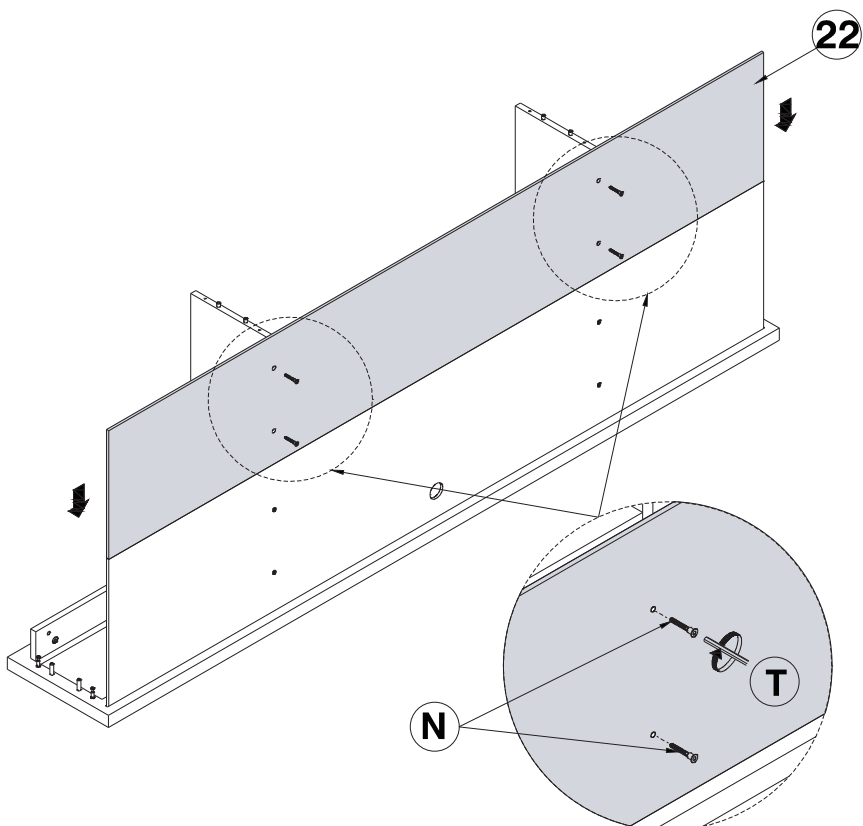
6



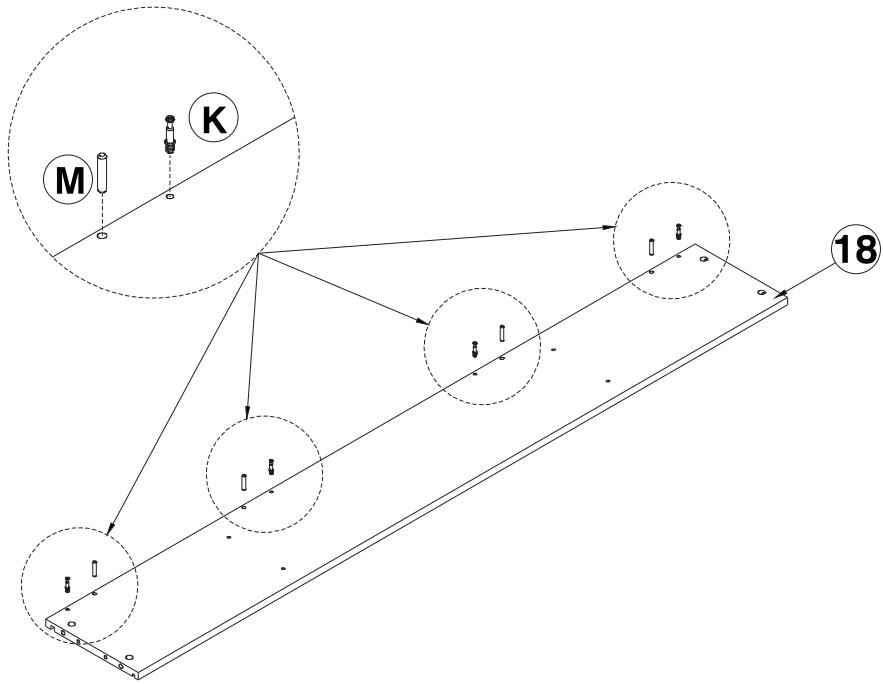
7



8

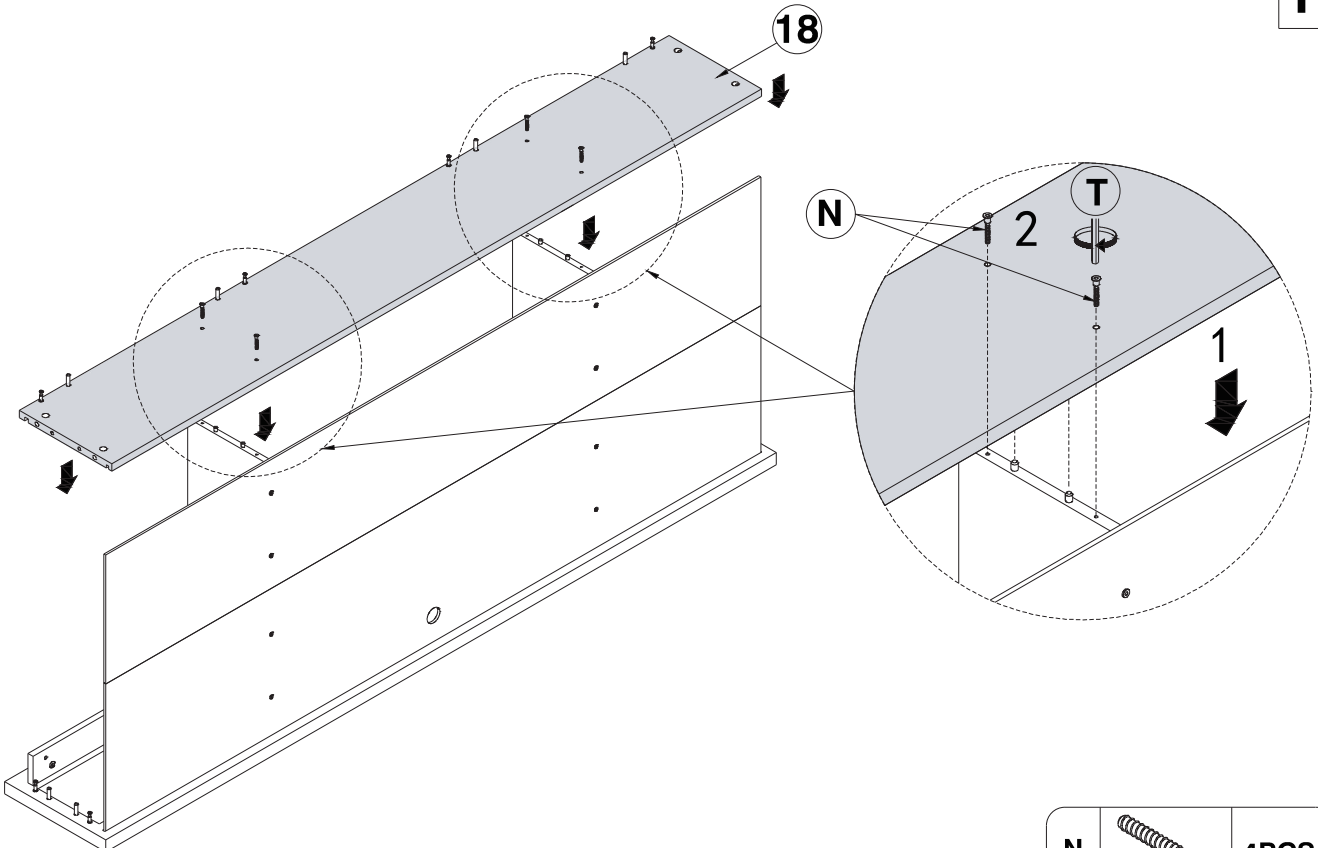


9



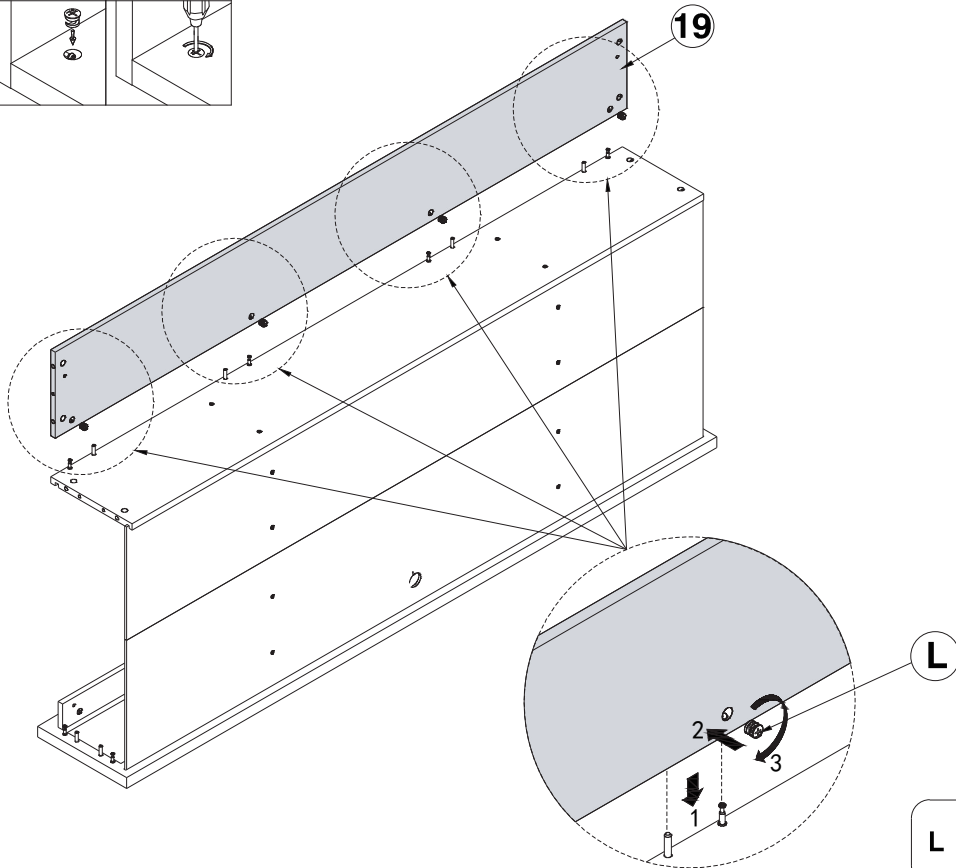
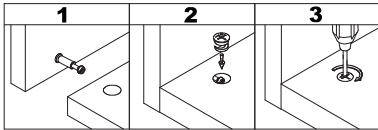
K		4PCS
M		4PCS

10

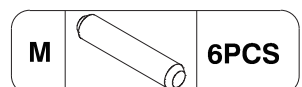
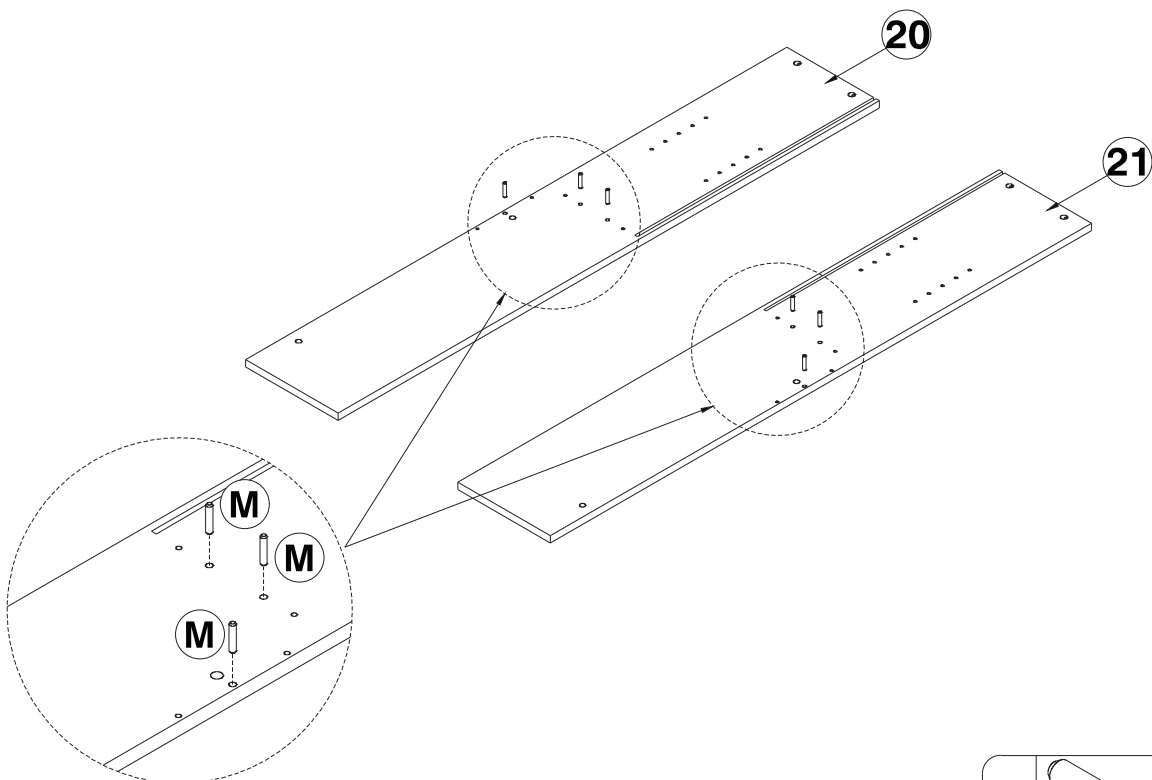


N		4PCS
---	--	------

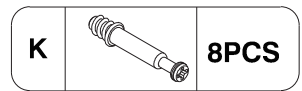
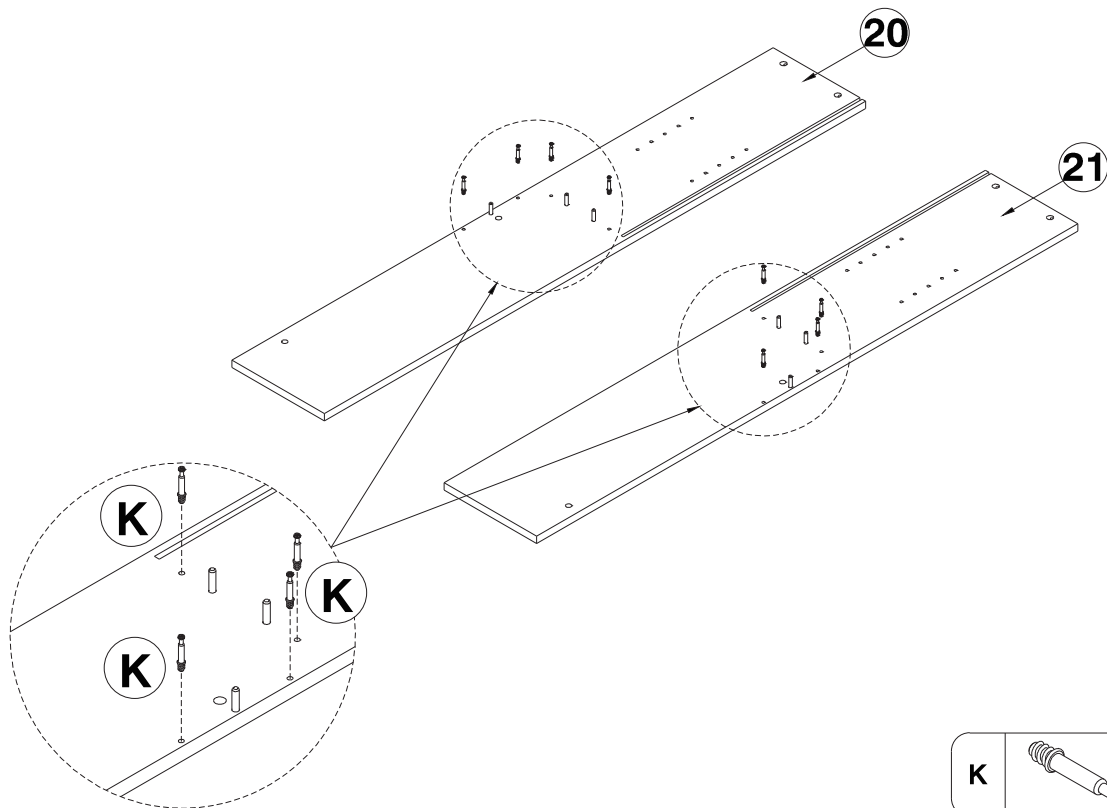
11



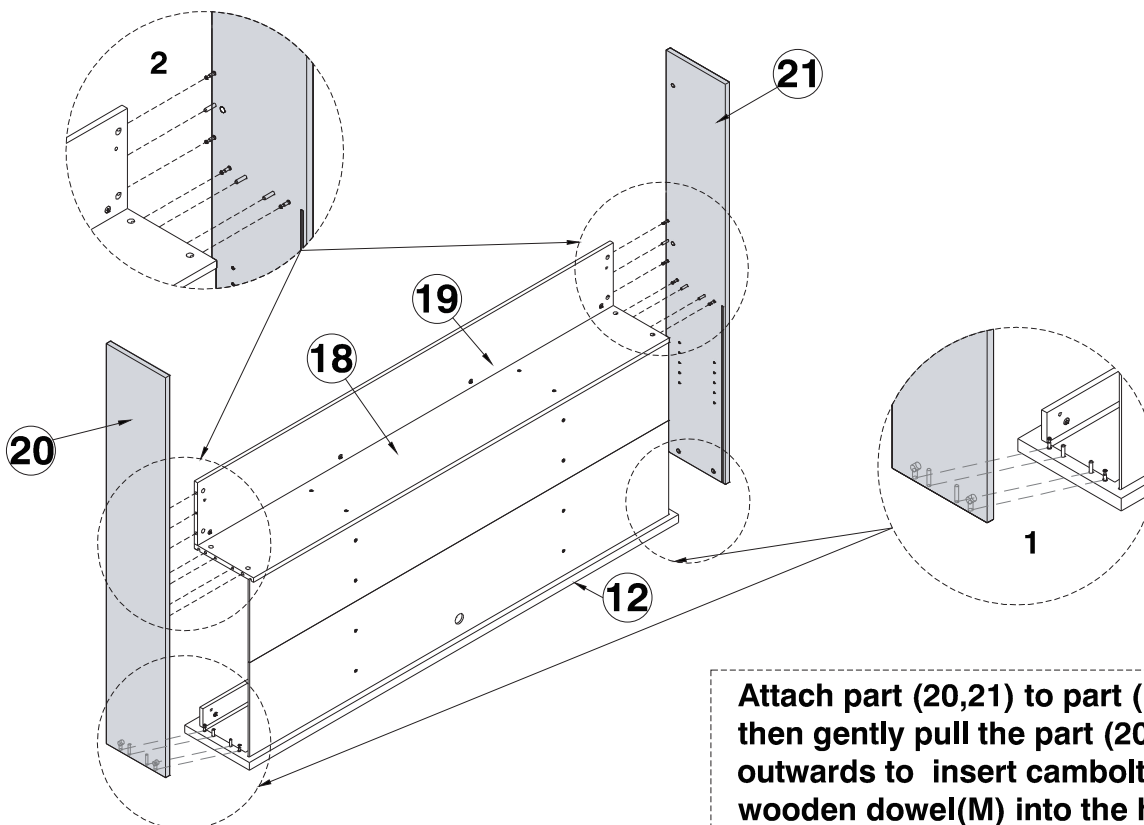
12



13

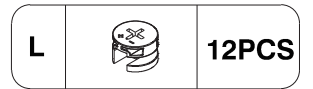
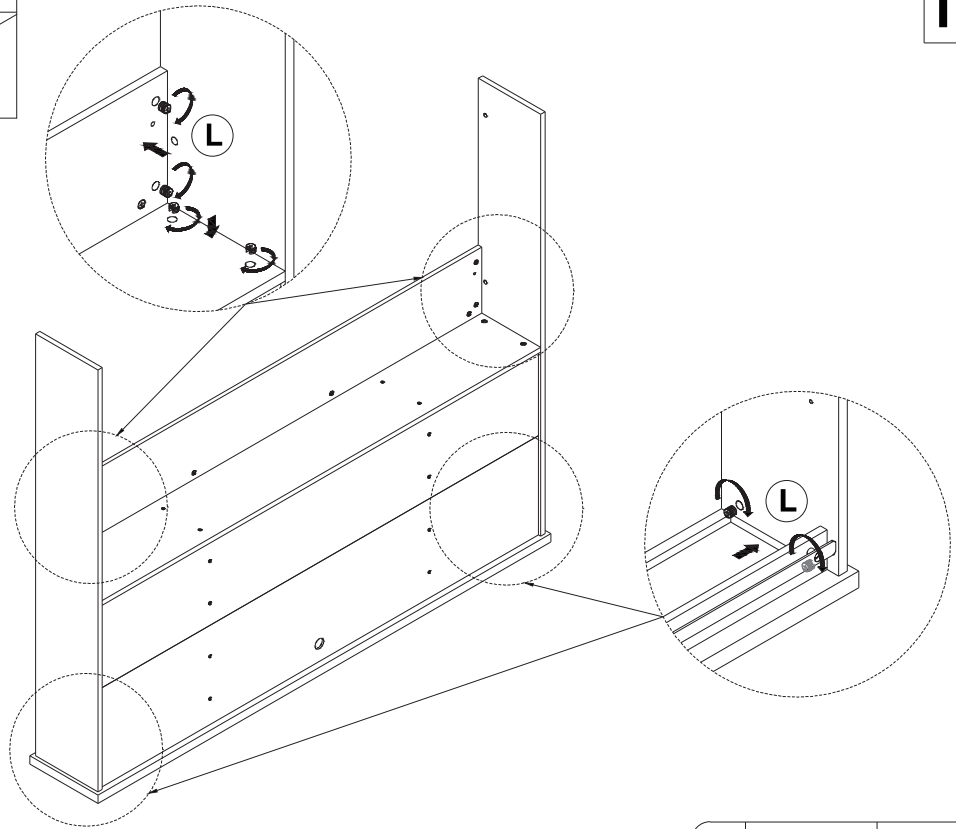
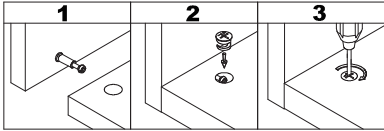


14



Attach part (20,21) to part (12) first, then gently pull the part (20,21) outwards to insert cambolt(K) and wooden dowel(M) into the holes on part (18,19) as per diagram.

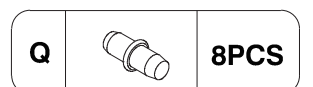
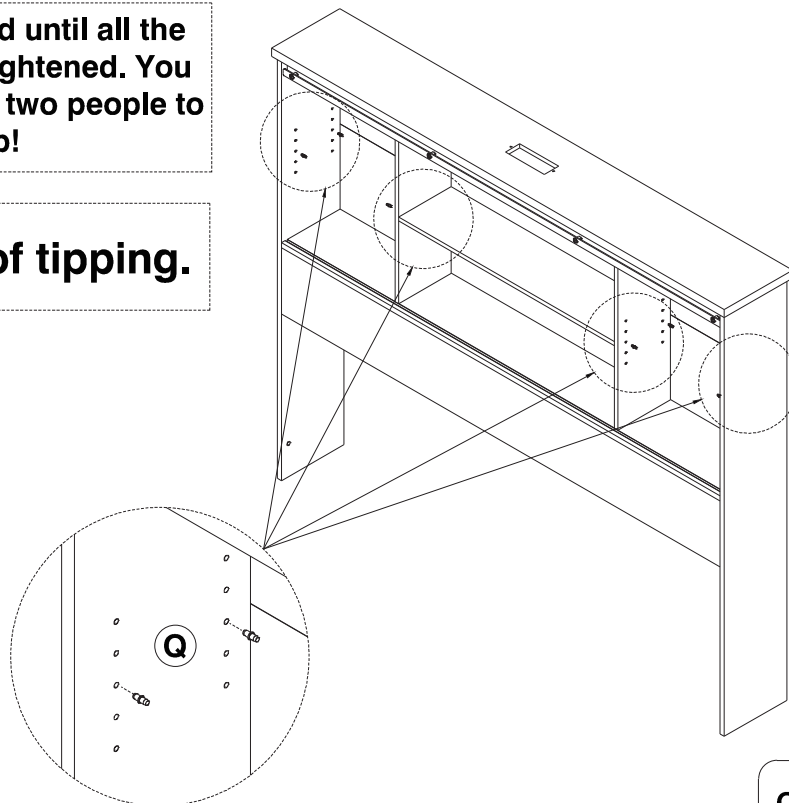
15



16

Flip the headboard until all the screws are fully tightened. You may need at least two people to complete this step!

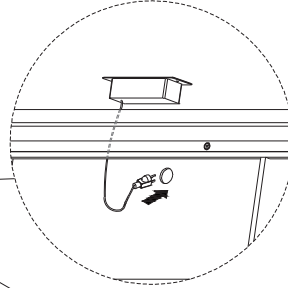
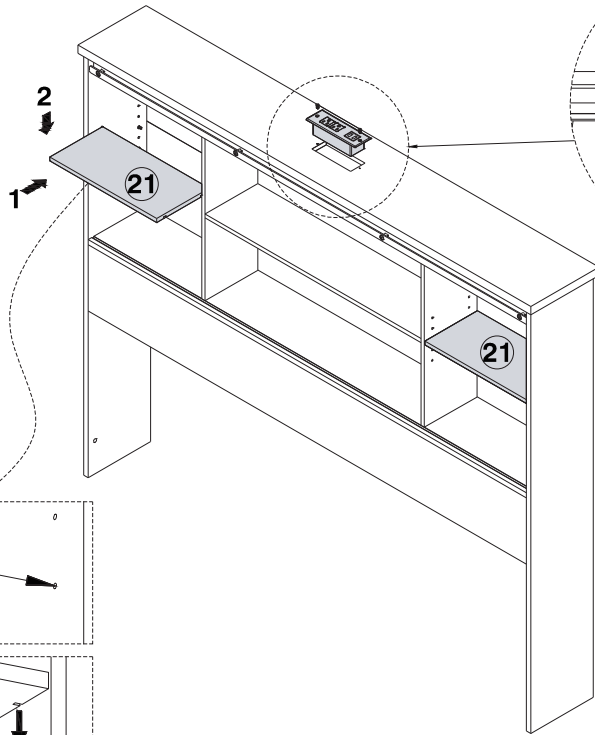
Beware of tipping.



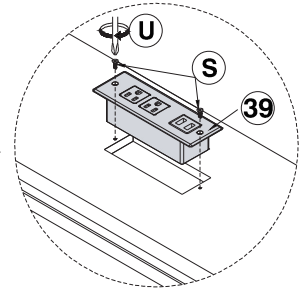
ASSEMBLY INSTRUCTIONS

17

The power plug passes through the backplane hole

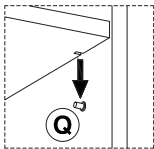
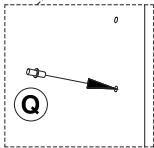



Step 1



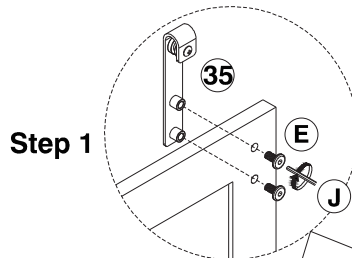
Step 2

⚠ Beware of tipping.

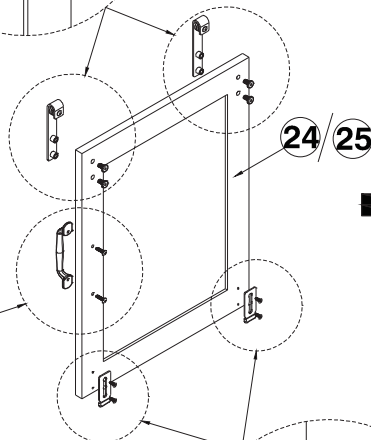


S		2PCS
---	---	------

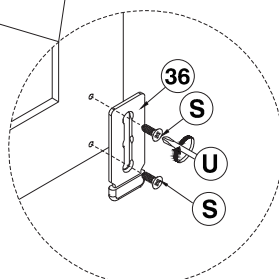
18



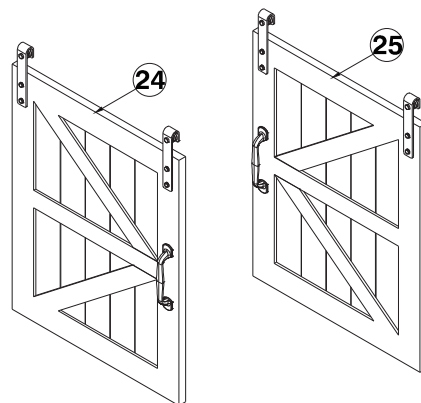
Step 1





Step 2

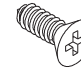


Step 3

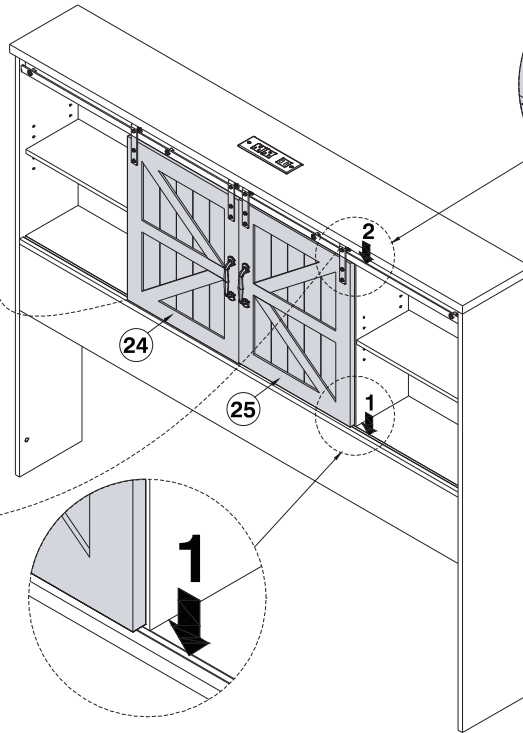
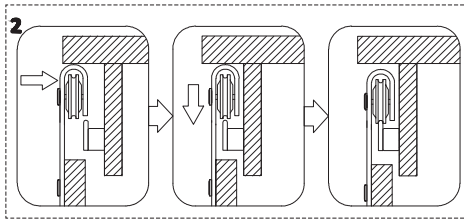
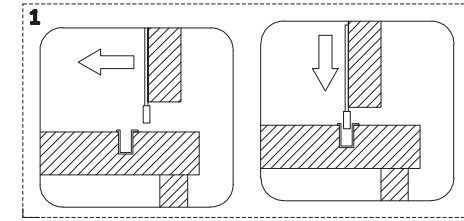


E		8PCS
---	---	------

O		4PCS
---	---	------

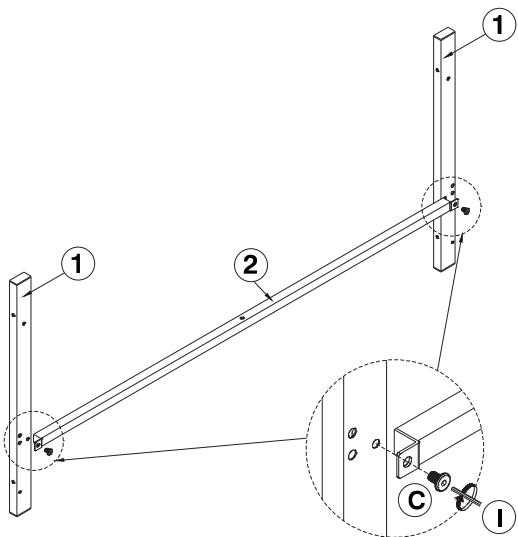
S		8PCS
---	---	------

19

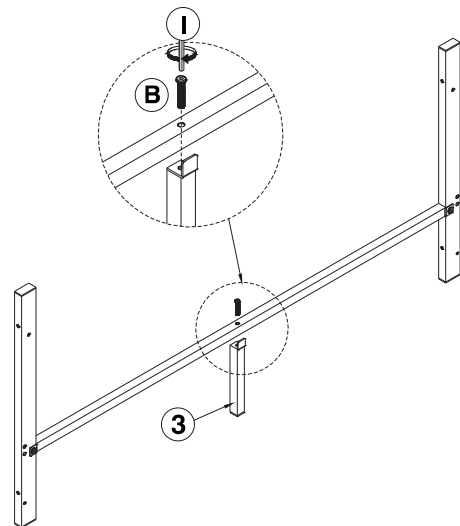


Place the pulley on the track



20



Step 1

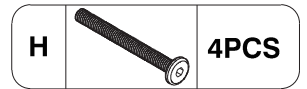
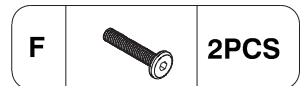
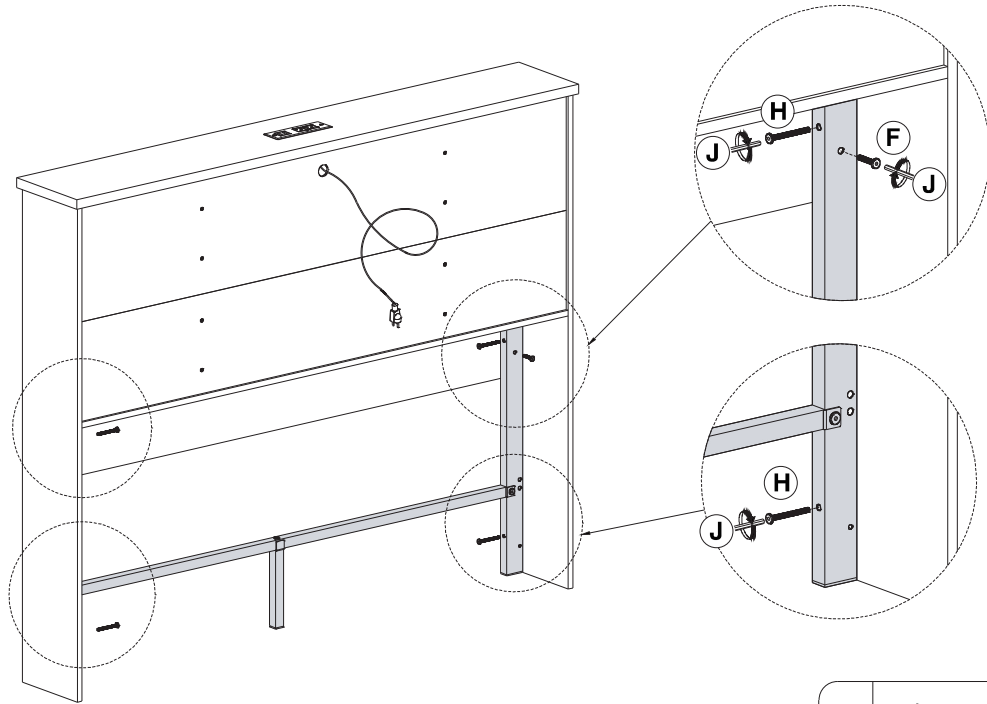


Step 2

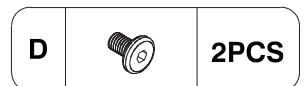
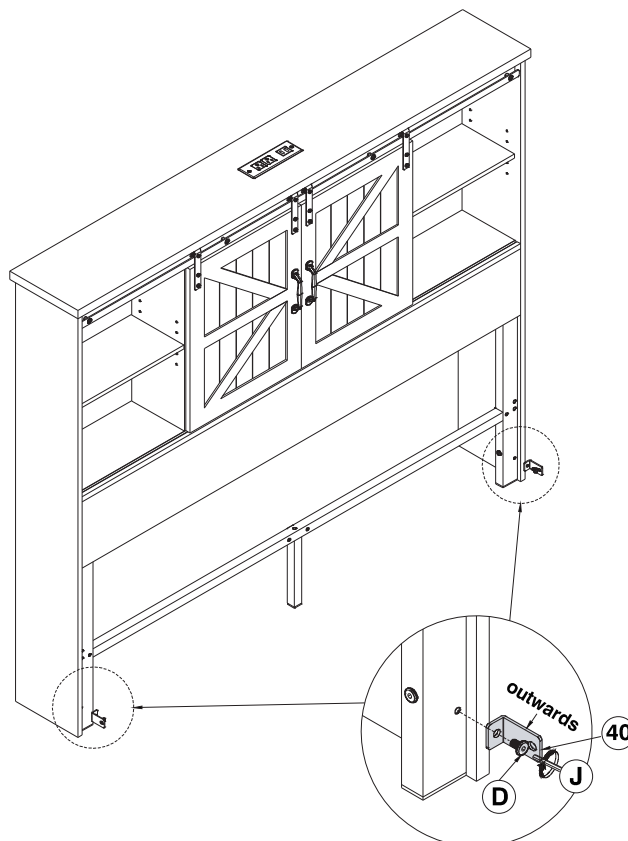
B		1PC
C		2PCS

ASSEMBLY INSTRUCTIONS

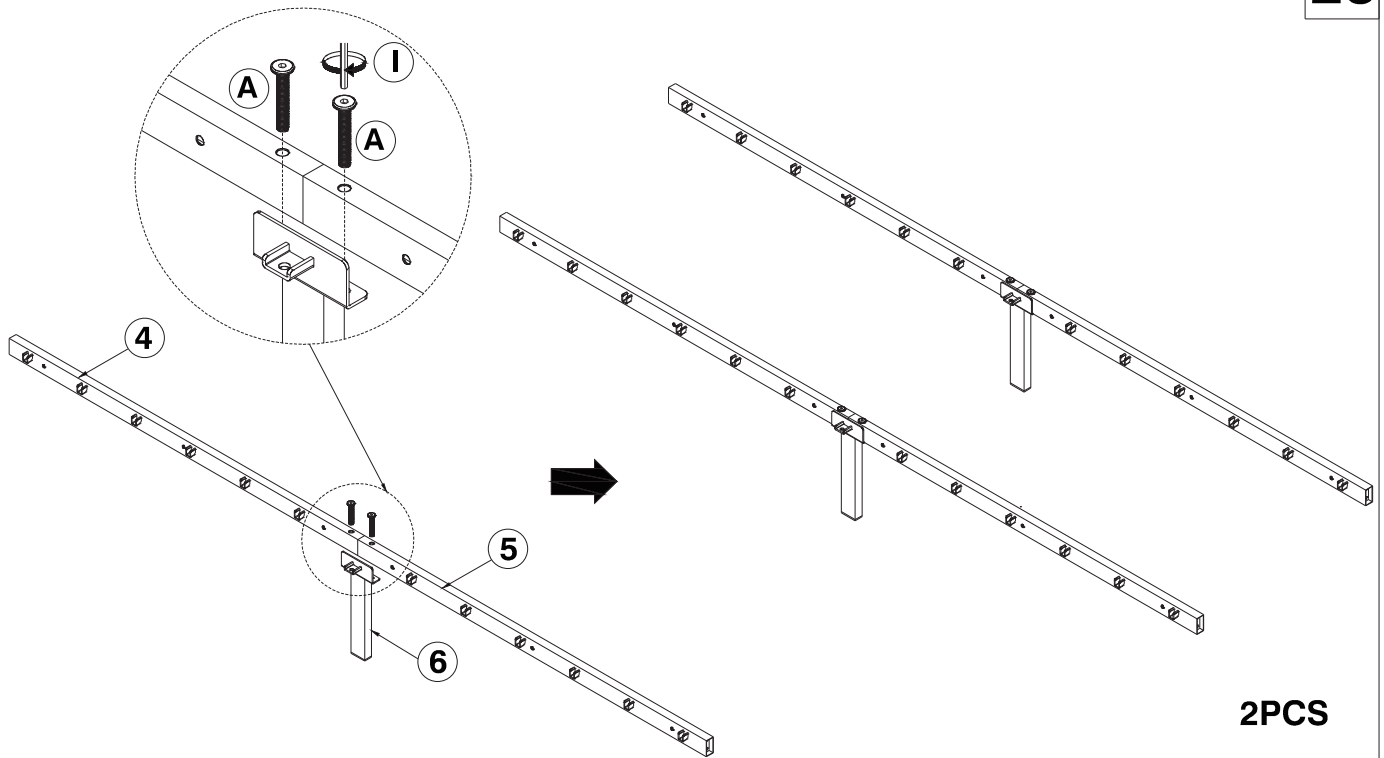
21



22



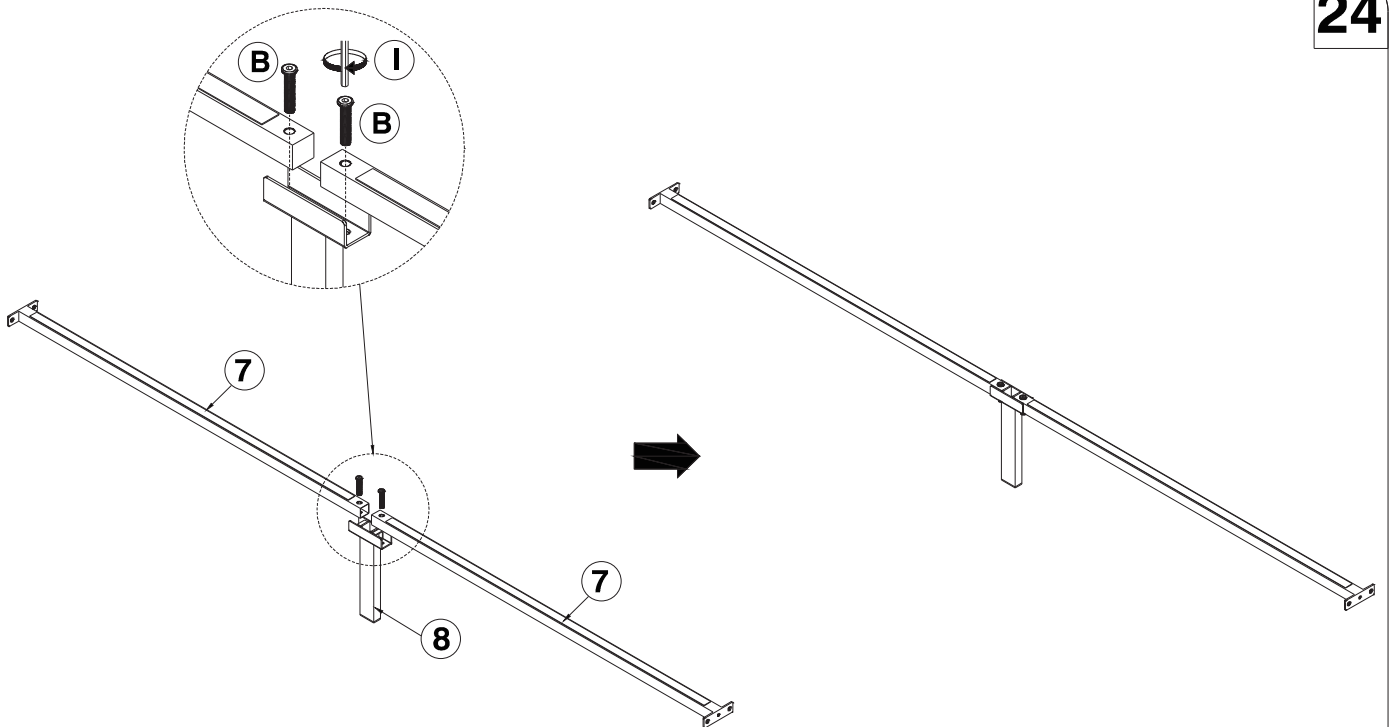
23



2PCS

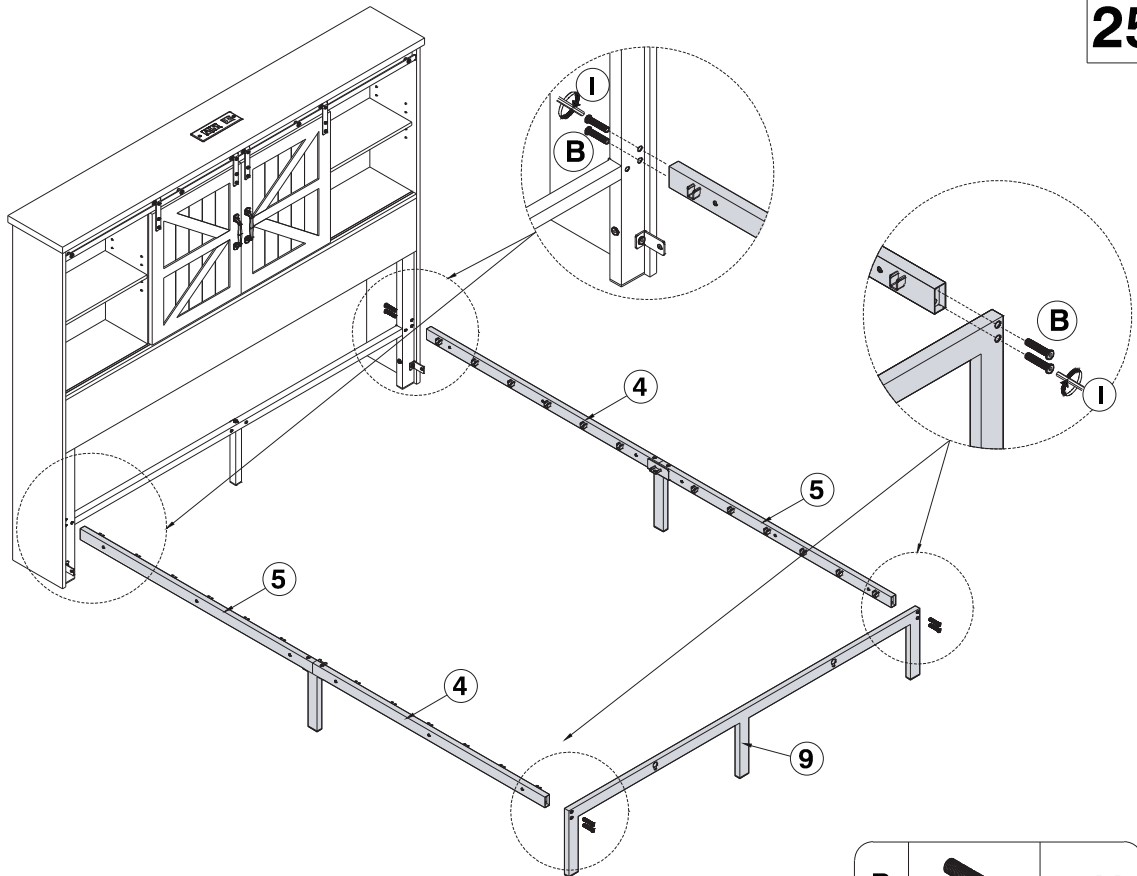


24



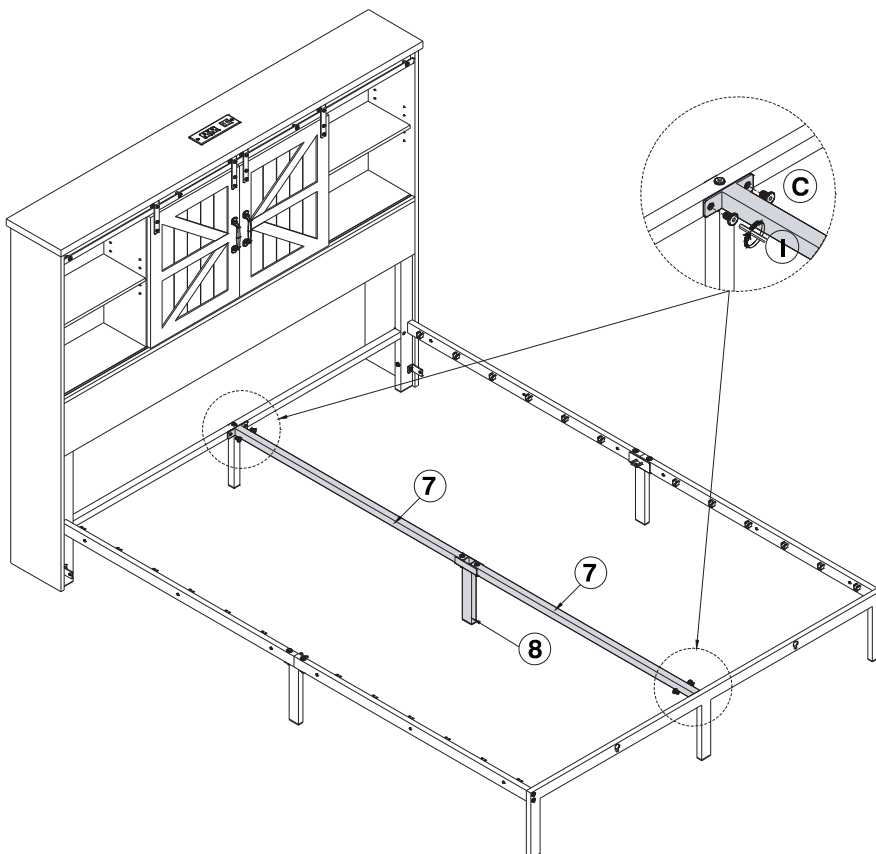
ASSEMBLY INSTRUCTIONS

25



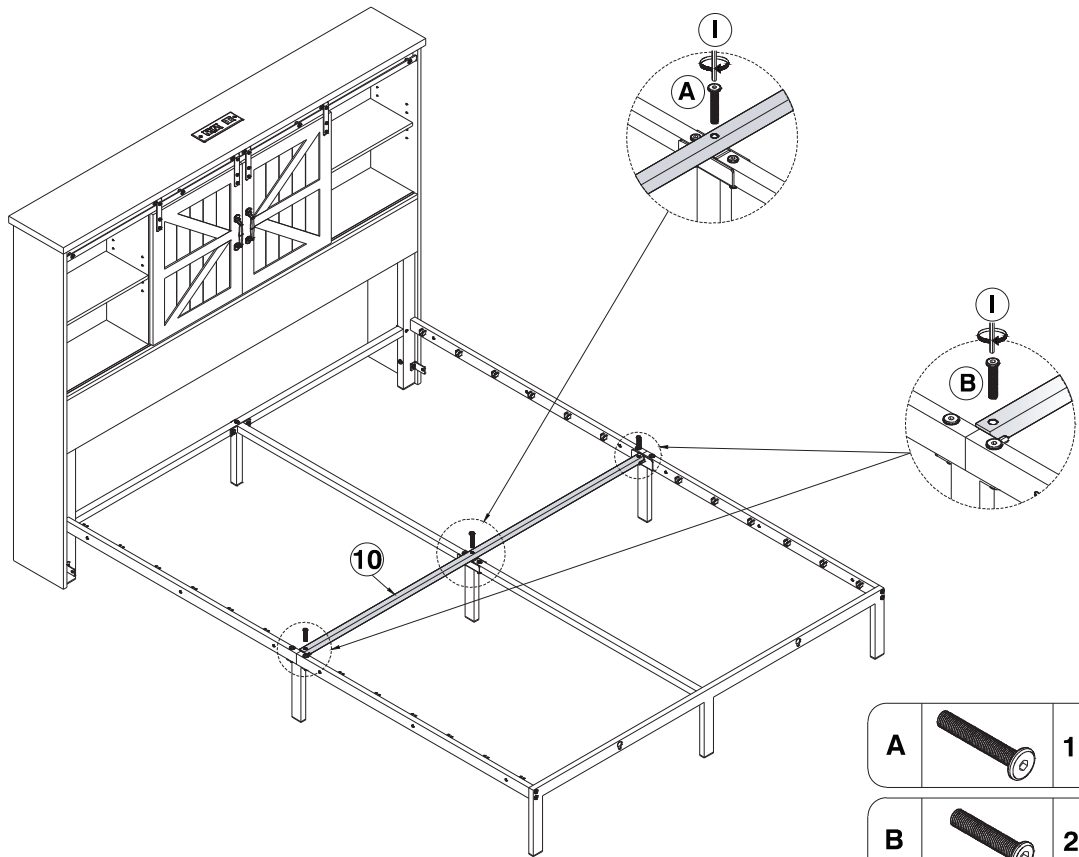
B 8PCS



26



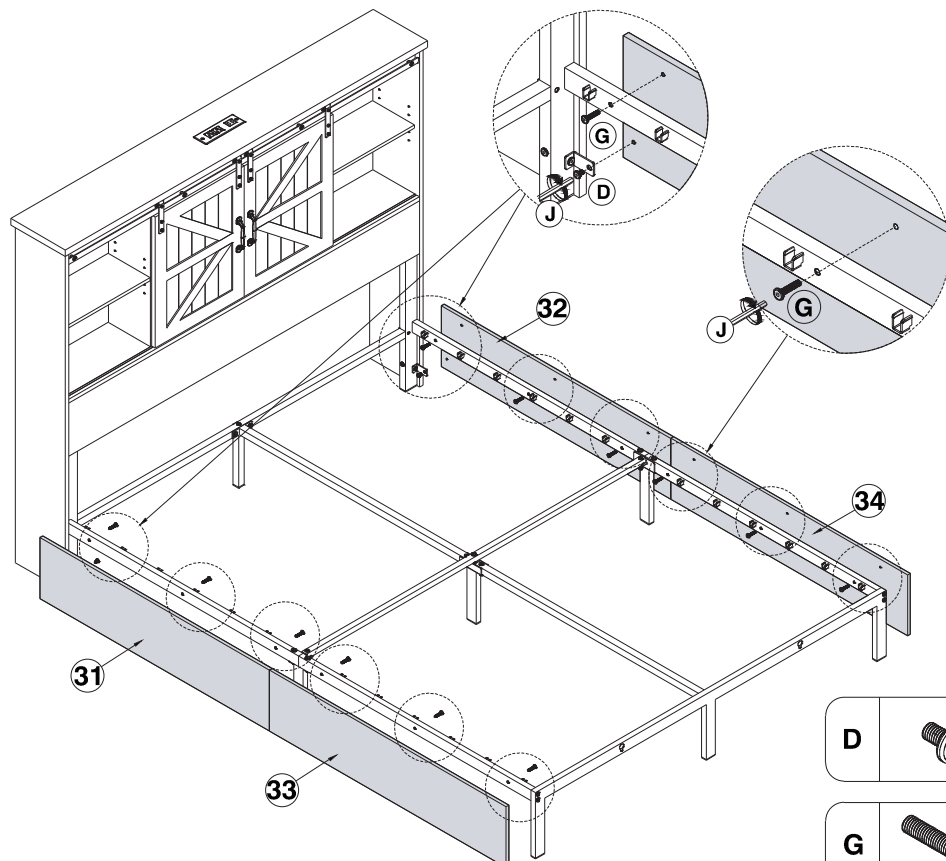
C 4PCS



27



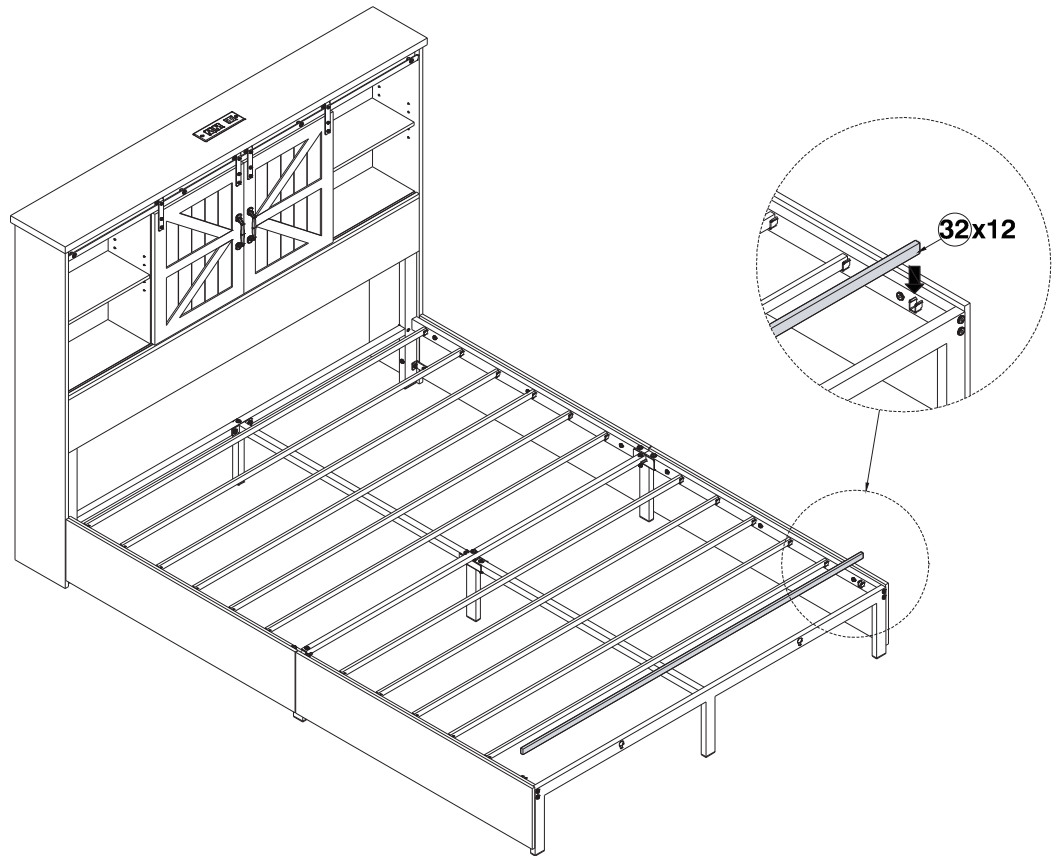
A		1PC
B		2PCS

28

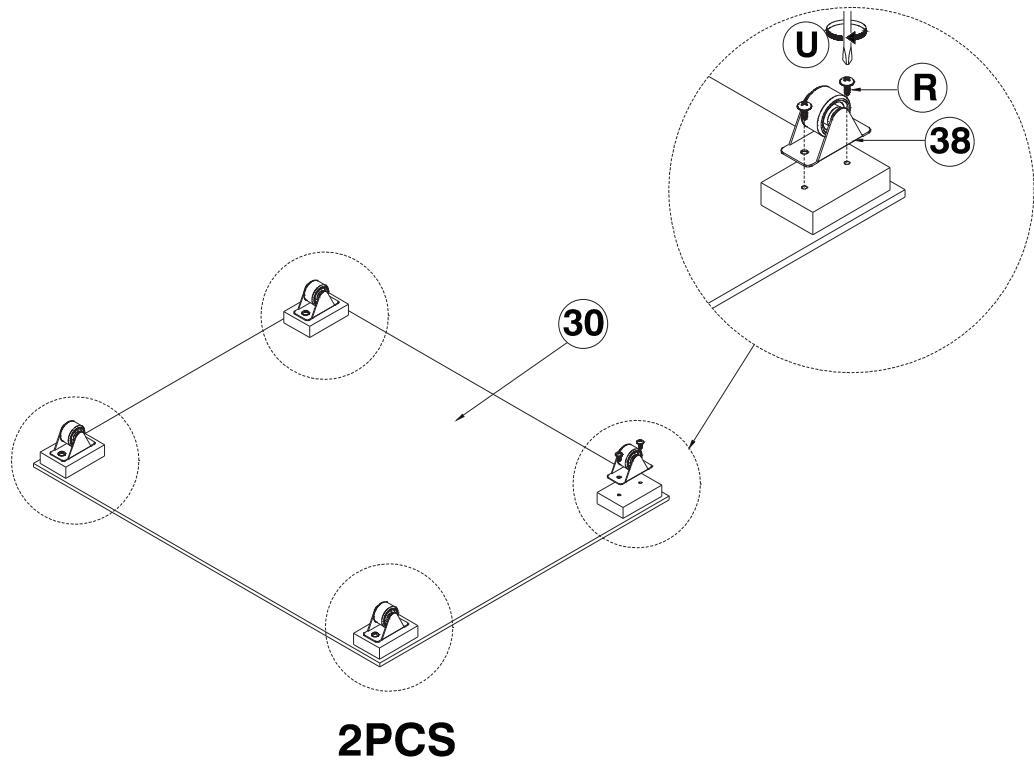



D		2PCS
G		12PCS

29



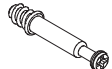

30

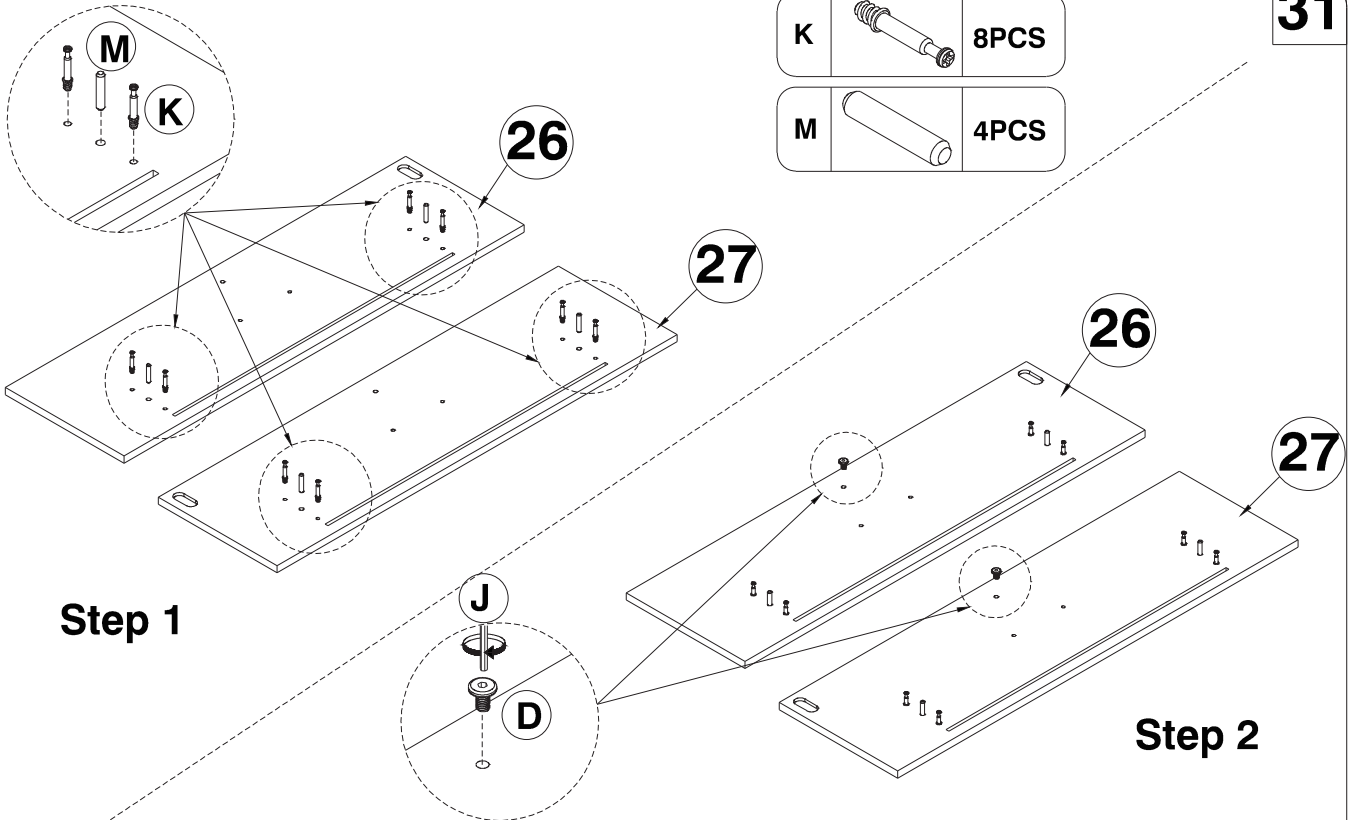


R		16PCS
---	---	-------

ASSEMBLY INSTRUCTIONS

31


K		8PCS
M		4PCS



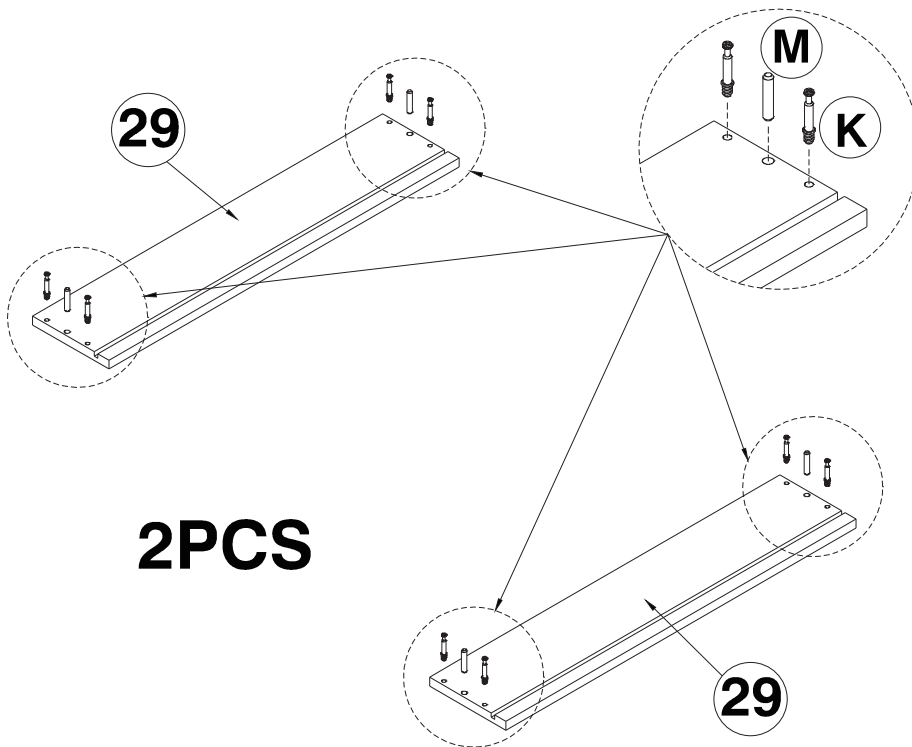
Step 1

Step 2



⚠ Don't lock the screws (D), leave a gap

D		2PCS
---	---	------

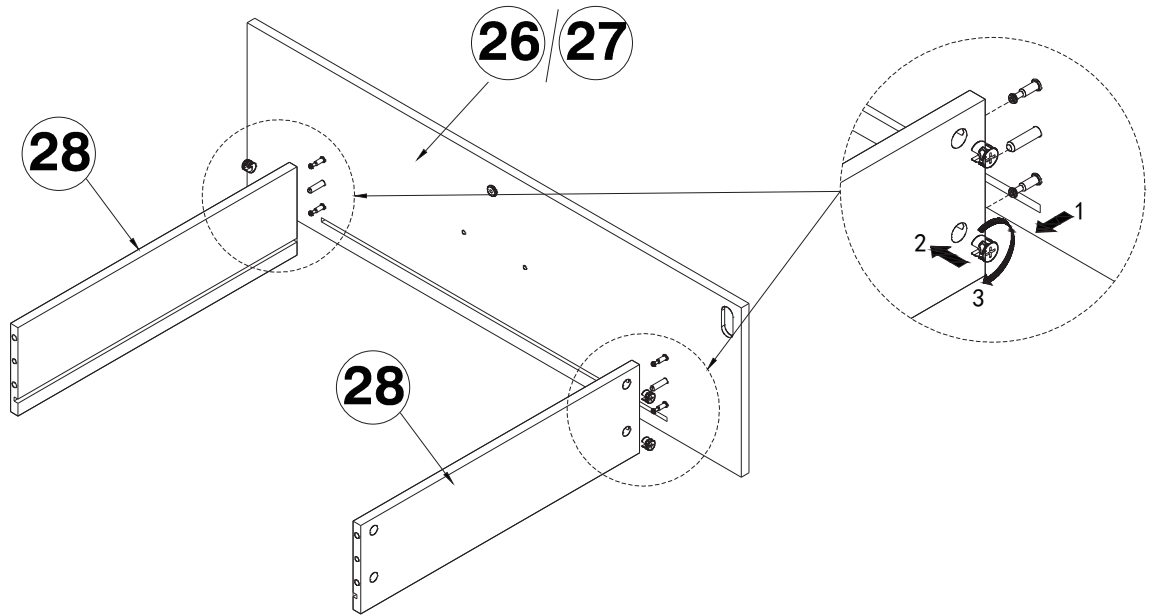
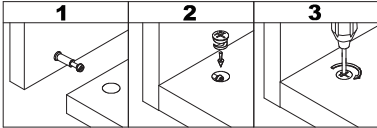
32



2PCS

K		8PCS
M		4PCS

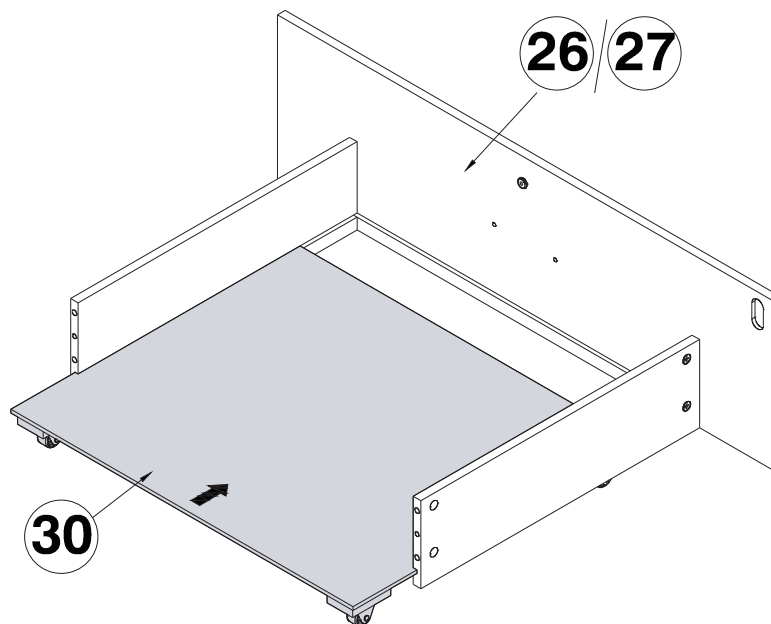
33



X2

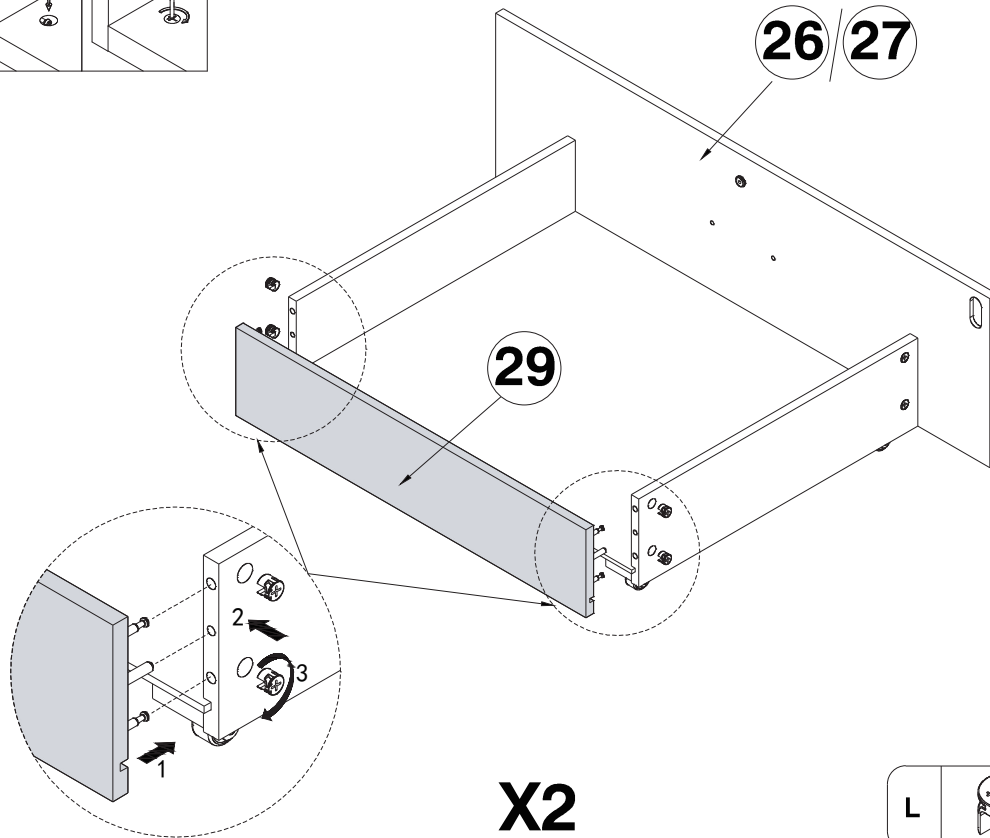
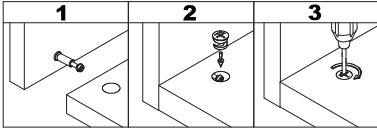


34

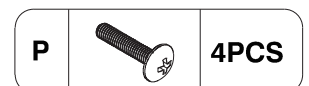
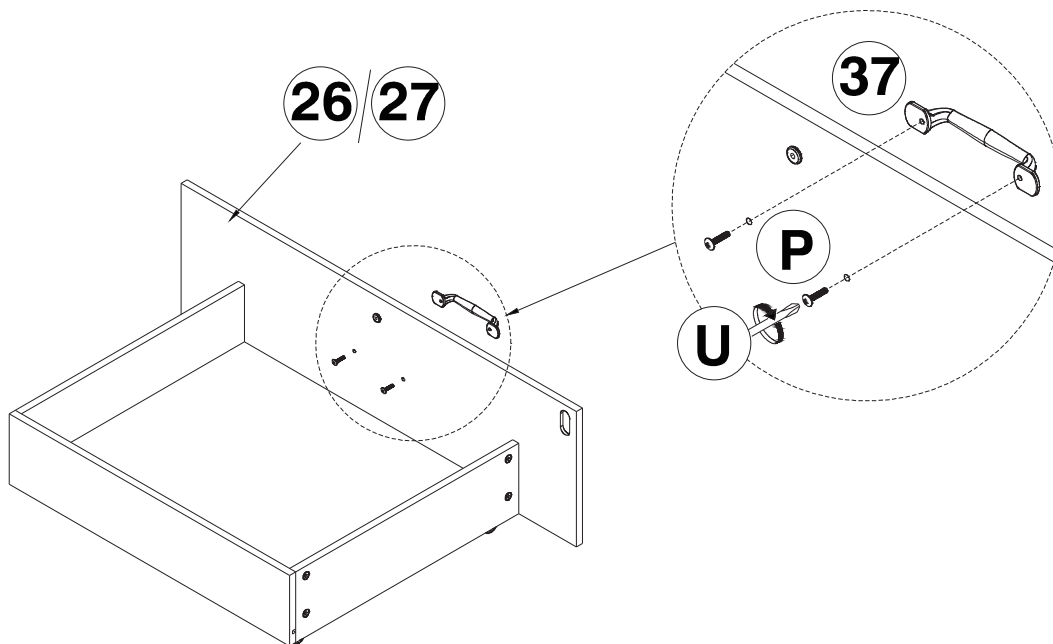


X2

35

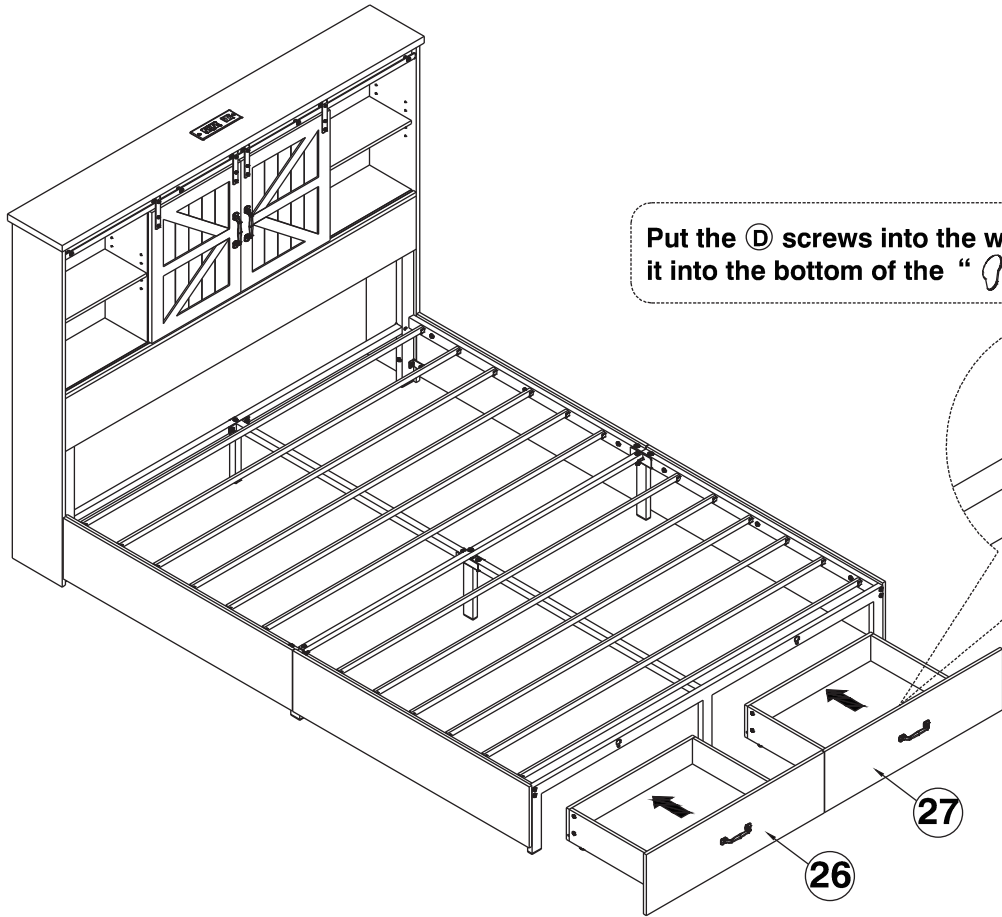


36

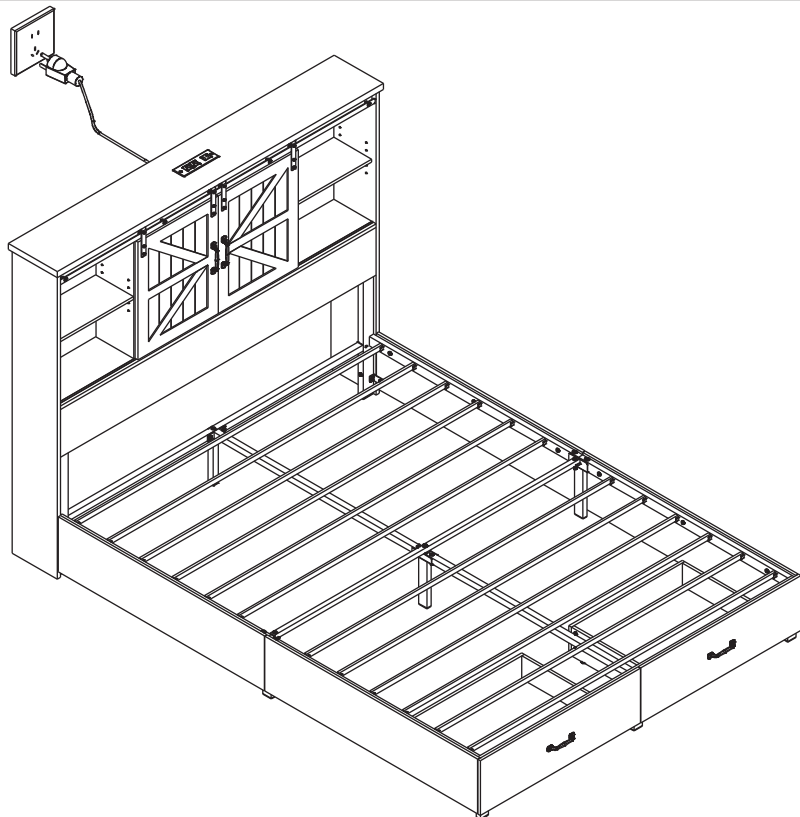


ASSEMBLY INSTRUCTIONS

37



38



Installation Complete
Thank you for purchasing our product