

ASSEMBLY INSTRUCTIONS

Wine Rack



NOTE TO CUSTOMERS:

- For ease and speed of assembly we recommend that before you commence each step of the assembly that you identify all the parts required to complete that step.
- We recommend that where possible you allow sufficient space to assemble the item as close as possible to the place where it will be once assembled.
- For the protection of your furniture we recommend that the product is placed on protected surfaces during assembly to prevent any damage.
- During assembly do not over tighten, as this may damage the product.
- Please ensure you retain all the product packaging until the item completely assembled.
- Please periodically check all fittings and re-tighten as necessary.
- Please never allow any liquids to remain on your furniture as absorption can cause the wood to warp or finish to de-laminate.
- It is recommended that this item should be assembled by two adults.

To insert a cam lock: (Please read below instructions before assembling)

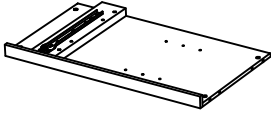
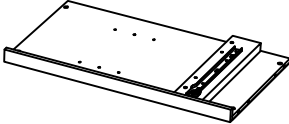
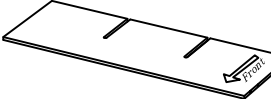
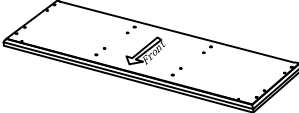
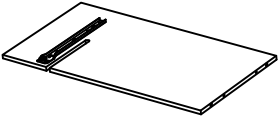
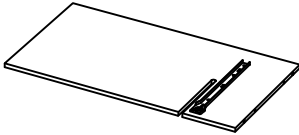
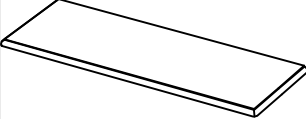
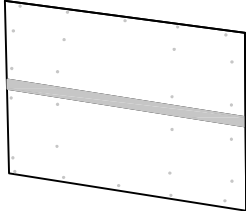
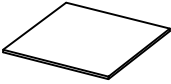
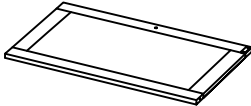
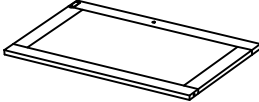

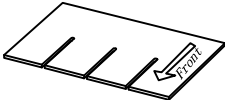
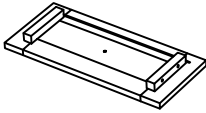

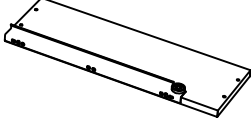

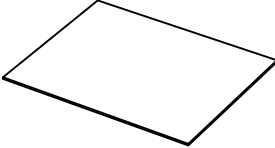
	<p>Diagram A</p>	<p>1. Insert cam screw into hole as shown in diagram A .</p>
	<p>Diagram B</p>	<p>Make sure not to insert the cam screw: Too deep as shown in figure B as this will cause the cam screw to be misaligned and unable to interlock properly.</p>
	<p>Diagram C</p>	<p>Also avoid inserting the cam screw too close to the surface of the hole as shown in figure C, as this will cause the cam lock to be too loose, and not interlock properly.</p>

	<p>2. Connect the panels together.</p>
<p>ARROW SIGN</p>	<p>3. When inserting the cam lock make sure the arrow of the cam lock faces the cam screw.</p>
	<p>4. To tighten the cam lock turn the cam lock clockwise 90-180 degree or until the arrow is facing opposite the place cam lock was inserted.</p> <p>NOTE: DO NOT USE AN AUTOMATIC SCREWDRIVER TO TIGHTEN CAM LOCKS.</p>








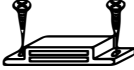



Note:

- Read these instructions carefully before assembling.
- Tools required : Phillips screwdriver, flat screwdriver.
- Find a clean, smooth area on which to work , such as a carpet, in order to avoid scratching the wood surfaces.
- Wait to dispose of the packing material until assembly is complete and all parts and hardware are accounted for.
- Two or more people might be required for assembly.

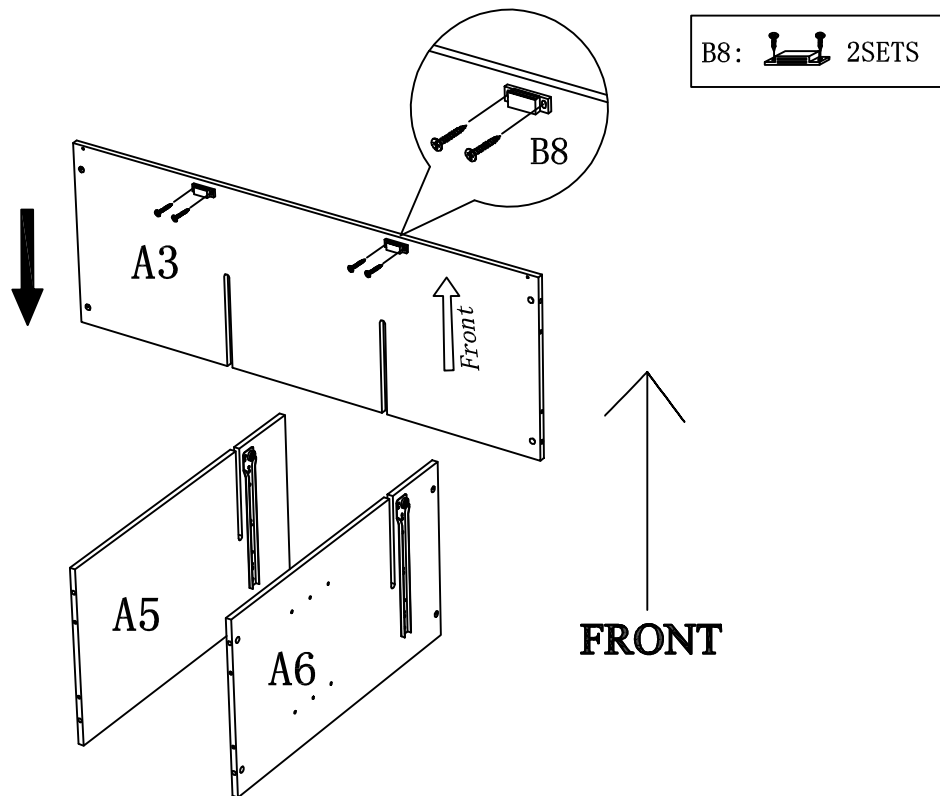
Part List

<p>A1. Quantity of 1</p>  <p>Left Side Panel</p>	<p>A2. Quantity of 1</p>  <p>Right Side Panel</p>	<p>A3. Quantity of 1</p>  <p>Middle Shelf</p>	<p>A4. Quantity of 1</p>  <p>Bottom Panel</p>
<p>A5. Quantity of 1</p>  <p>Left Divider</p>	<p>A6. Quantity of 1</p>  <p>Right Divider</p>	<p>A7. Quantity of 1</p>  <p>Top Panel</p>	<p>A8. Quantity of 1</p>  <p>Back Panel</p>
<p>A9. Quantity of 2</p>  <p>Adjustable Shelf</p>	<p>A10. Quantity of 1</p>  <p>Left Door</p>	<p>A11. Quantity of 1</p>  <p>Right Door</p>	<p>A12. Quantity of 3</p>  <p>Wine Rack</p>
<p>A13. Quantity of 2</p>  <p>Wine Rack</p>	<p>A14. Quantity of 3</p>  <p>Drawer Front Panel</p>	<p>A15. Quantity of 3</p>  <p>Drawer Side Panel(L)</p>	<p>A16. Quantity of 3</p>  <p>Drawer Side Panel(R)</p>
<p>A17. Quantity of 3</p>  <p>Drawer Back Panel</p>	<p>A18. Quantity of 3</p>  <p>Drawer Bottom Panel</p>		

Hardware List

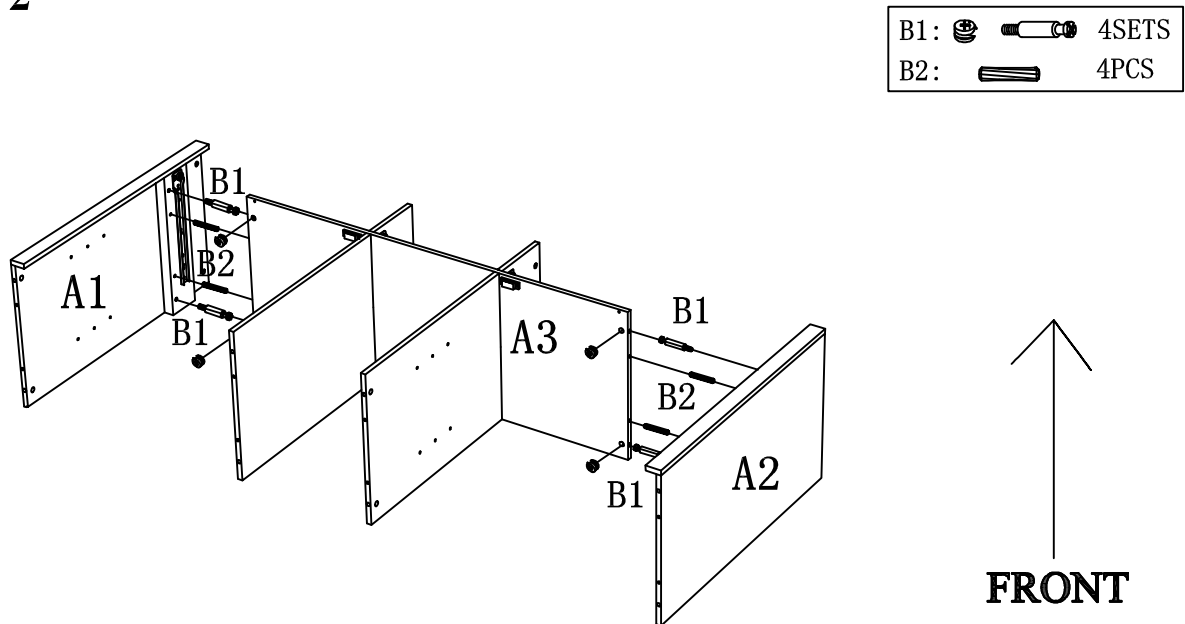
B1. Quantity of 20  Camlock	B2. Quantity of 20  Wood Dowel	B3. Quantity of 26  Screw	B4. Quantity of 24  Screw
B5. Quantity of 16  Screw	B6. Quantity of 5  Drawer Knob	B7. Quantity of 8  Shelf Supporter	B8. Quantity of 2  Magnet
B9. Quantity of 2  Caster with Brake	B10. Quantity of 2  Caster	B11. Quantity of 4  Door Pin	

Step 1



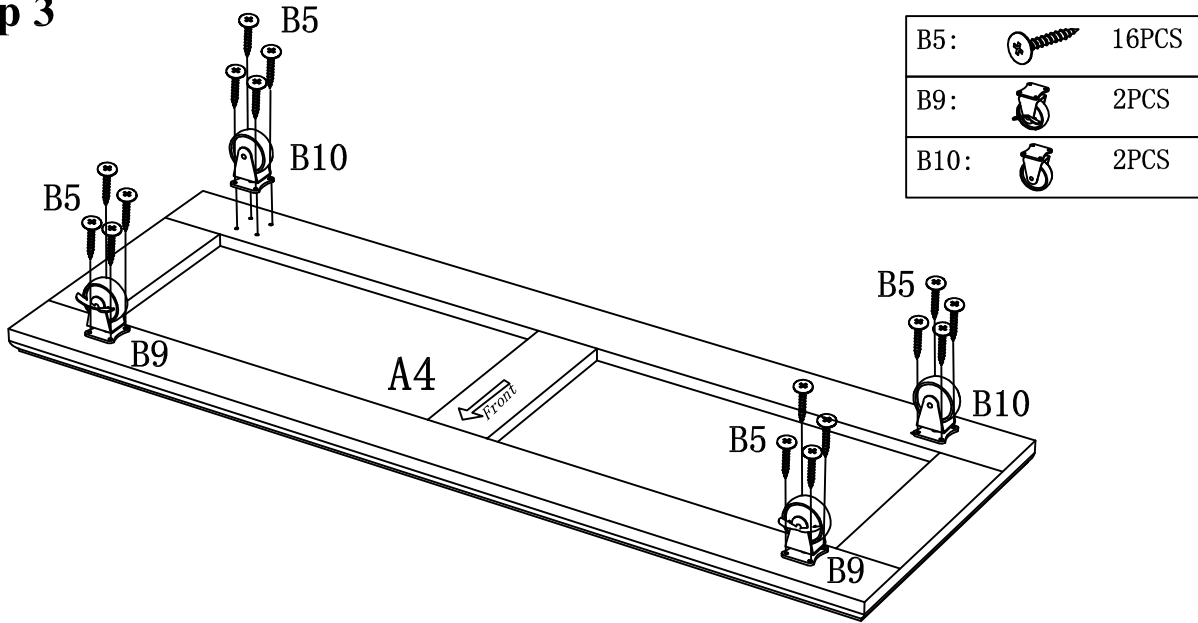
- 1). Attach Magnets B8 to the front of Middle Shelf A3 using included screws.(Holes are pre-drilled.)
- 2). Cross Dividers A5& A6 to Middle Shelf A3 as shown above.

Step 2



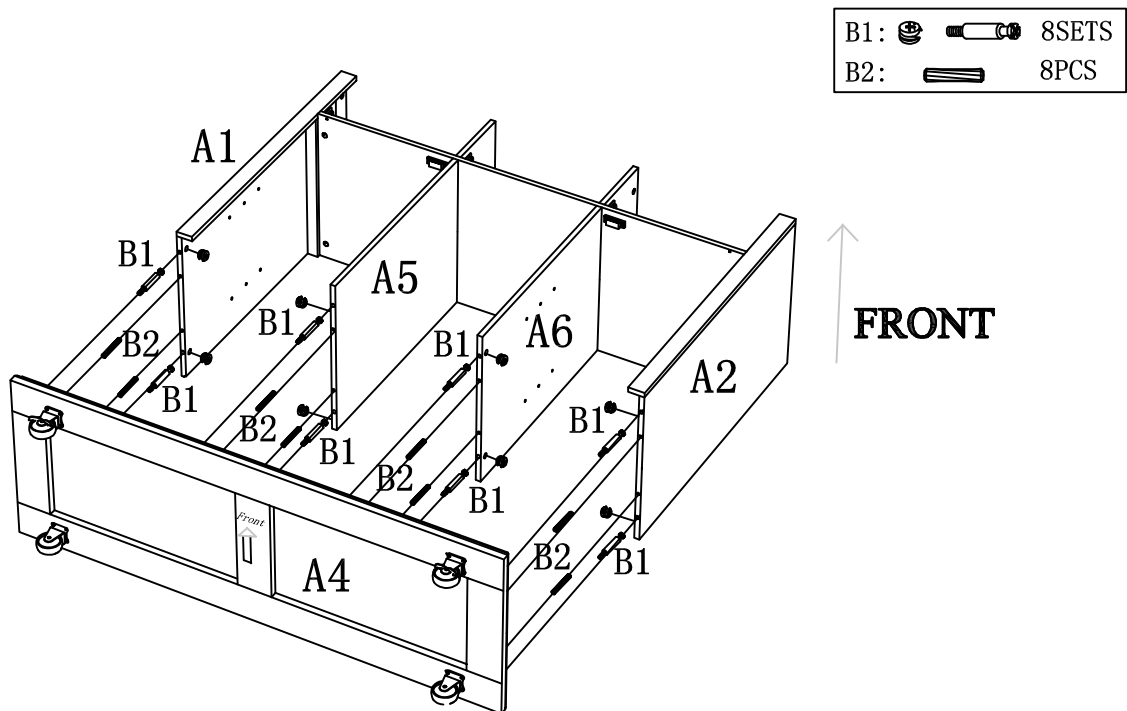
Assemble Side Panels A1 & A2 to Middle Shelf A3 using Camlocks B1 and Wood Dowels B2 as shown above.

Step 3



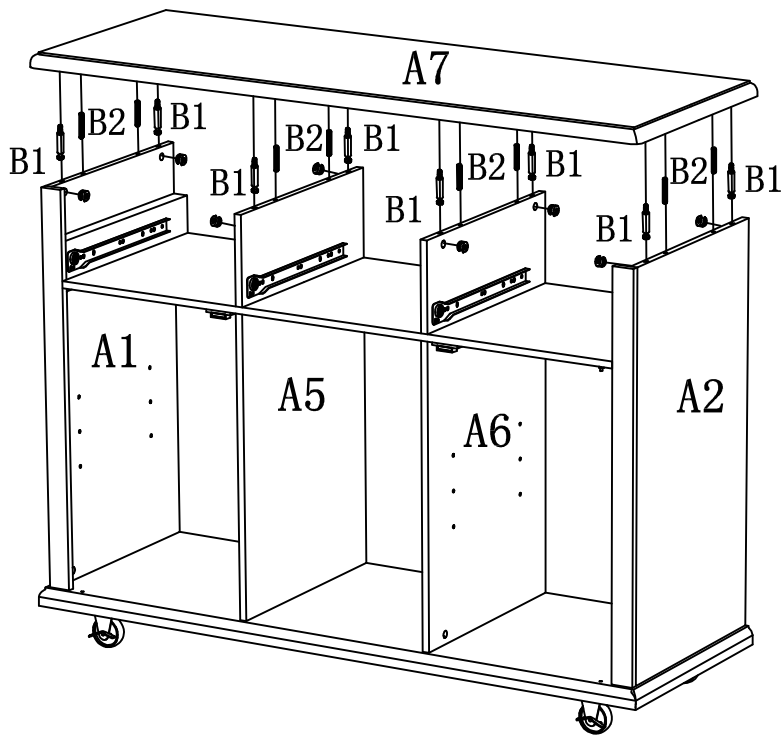
Assemble Caster with Brake B9 & Caster B10 to the bottom of Bottom Panel A4 using Screws B5 as shown above.




Step 4



Assemble Bottom Panel A4 to Side Panels A1 & A2, Dividers A5 & A6 using Camlocks B1 and Wood Dowels B2 as shown above.

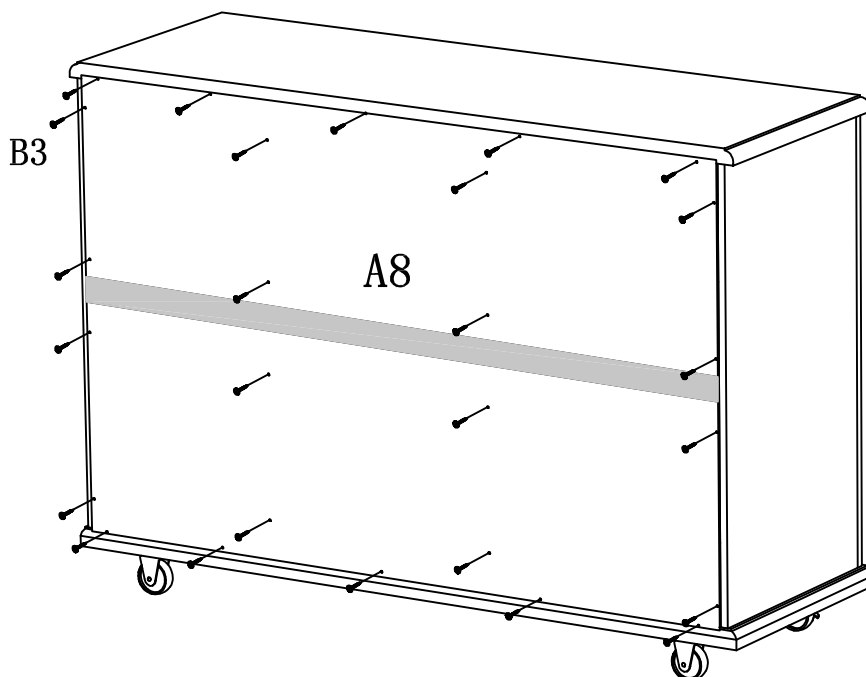
Step 5



B1:   8SETS
B2:  8PCS

Assemble Top Panel A7 to Side Panels A1 & A2, Dividers A5 & A6 using Camlocks B1 and Wood Dowels B2 as shown above.

Step 6

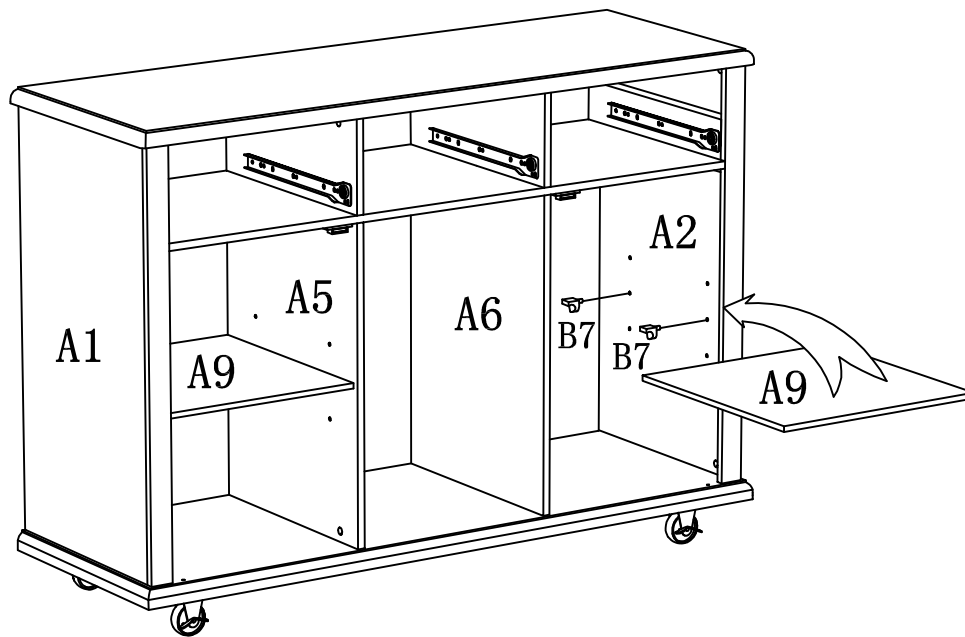


B3:  26PCS

Attach Back Panel A8 to the back of the unit using Screws B3 as shown above.

Step 7

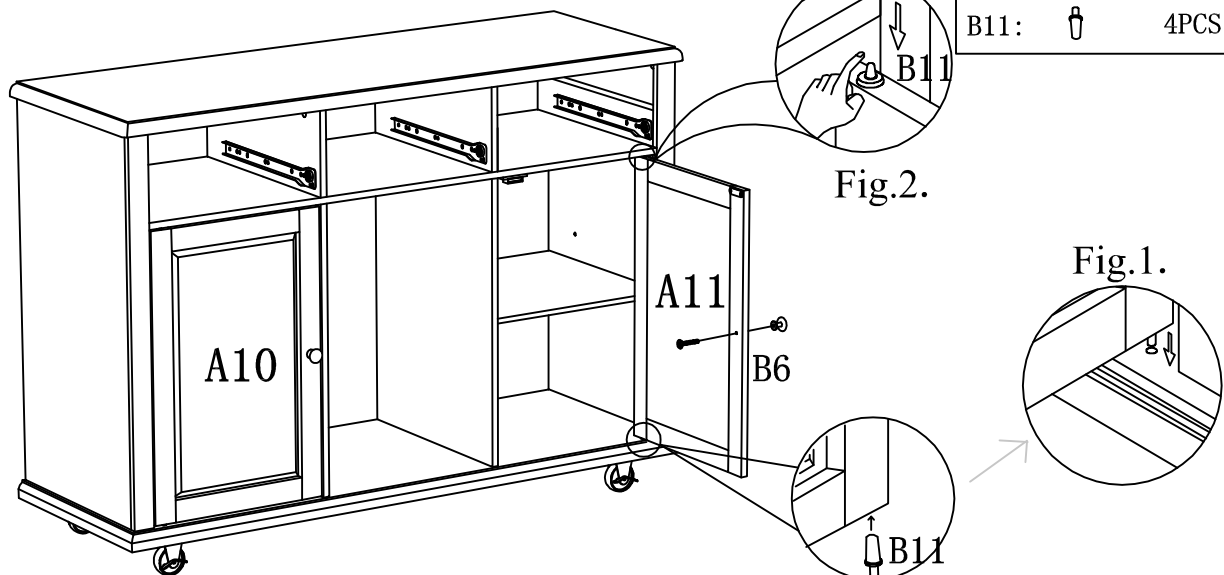
B7:  8PCS



Insert Shelf Supports B7 into holes on Side Panels A1 & A2, Dividers A5 & A6, then place shelves A9 onto Shelf Supports B7 as shown above.

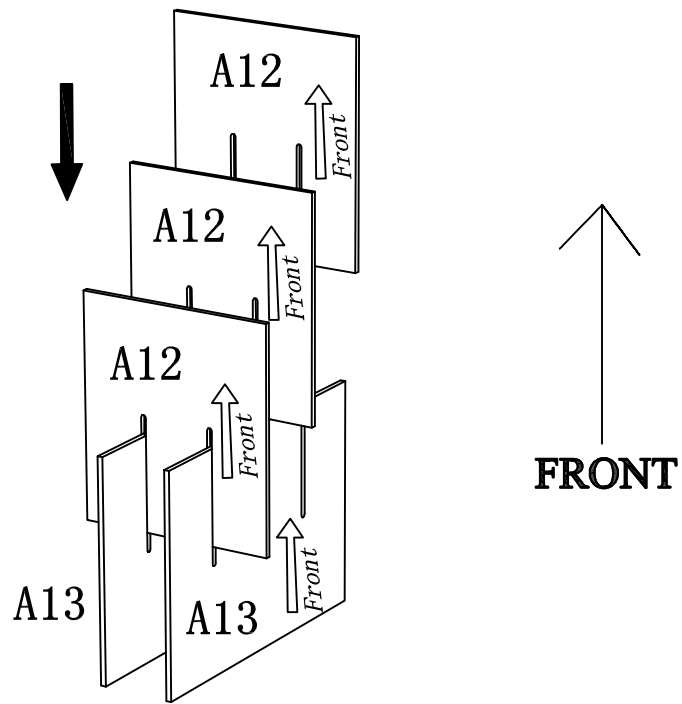
Step 8

B6:  2SETS
B11:  4PCS



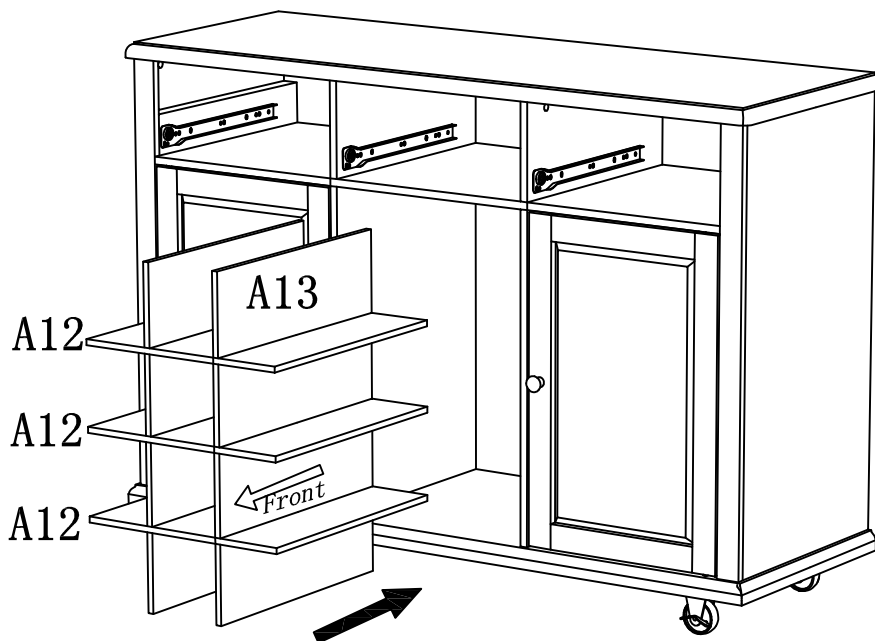
- 1). Insert Door Pin B11 into the hole on the bottom of Door A11, then connect Door A11 to Bottom Panel A4 as Fig.1.
- 2). Insert Door Pin B11 into the hole on the top of Door A11, then press down Door Pin B11 see Fig.2. and hold the door panel carefully into the cabinet with the Door Pin popping up into the hole of Middle Shelf A3.
- 3). Attach Knobs B6 to Door A11 using included Bolt .
- 4). Repeat above steps to assemble the other door.

Step 9



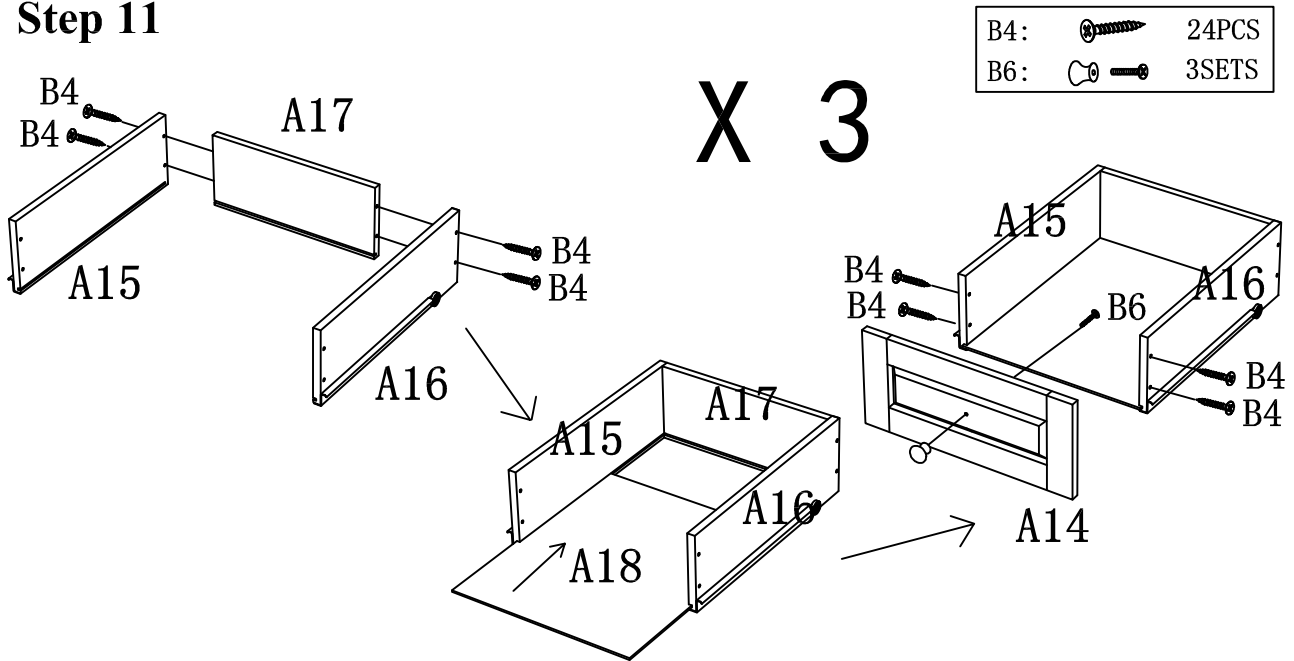
Cross Wine Racks A12 & A13 as shown above.

Step 10



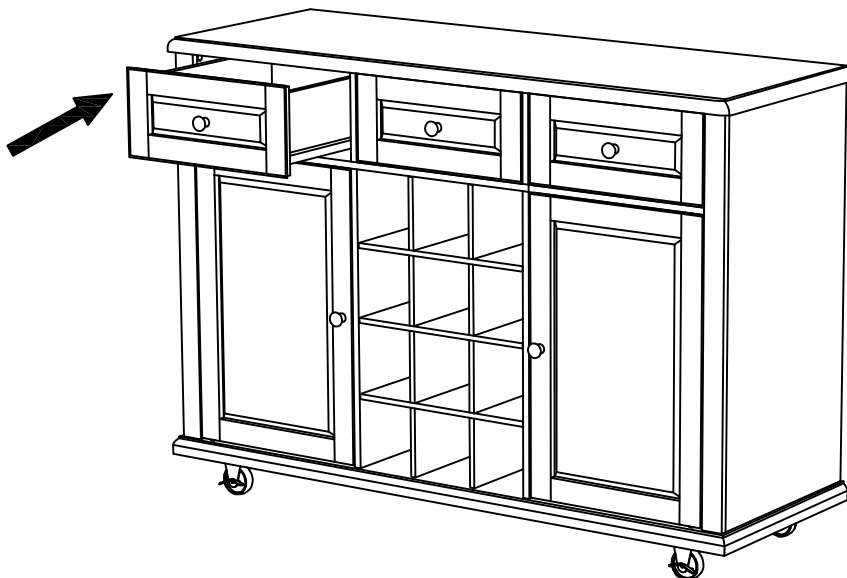
Insert Wine Racks A12 & A13 into the center of the wine rack as shown above.

Step 11



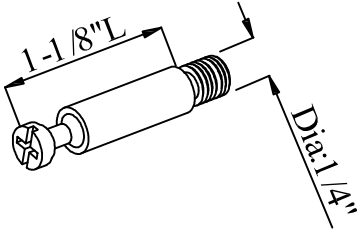
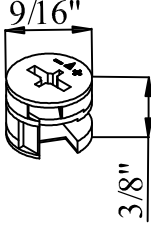
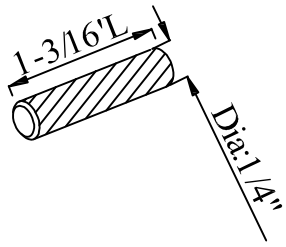
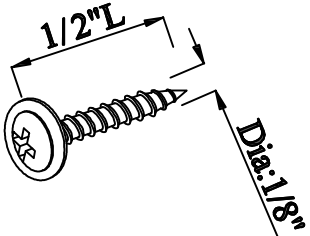
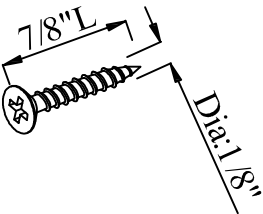
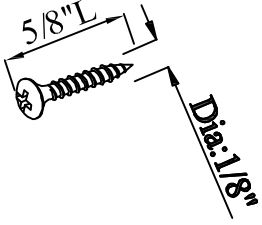
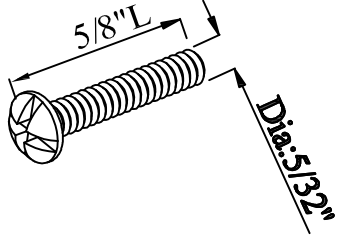
- 1). Assemble Drawer Side Panels A15 & A16 to Drawer Back Panel A17 using Screws B4.
- 2). Insert Drawer Bottom Panel A18 into the grooves on Drawer Side Panels A15 & A16 and Drawer Back Panel A17.
- 3). Assemble Drawer Front Panel A14 to Drawer Side Panels A15 & A16 using Screws B4.
- 4). Attach Drawer Knob B6 to Drawer Front Panel A14 using included bolt.
- 5). Repeat above steps to assemble the other drawers.

Step 12



Insert Drawers into the unit as shown above.

APPENDIX: Dimension of Hardwares in this AI.

<p>B1.</p>  <p>Cam-bolt</p>	<p>B1.</p>  <p>Cam-nut</p>	<p>B2.</p>  <p>Wood Dowel</p>
<p>B3&B8.</p>  <p>Screw</p>	<p>B4.</p>  <p>Screw</p>	<p>B5.</p>  <p>Screw</p>
<p>B6.</p>  <p>Bolt</p>		