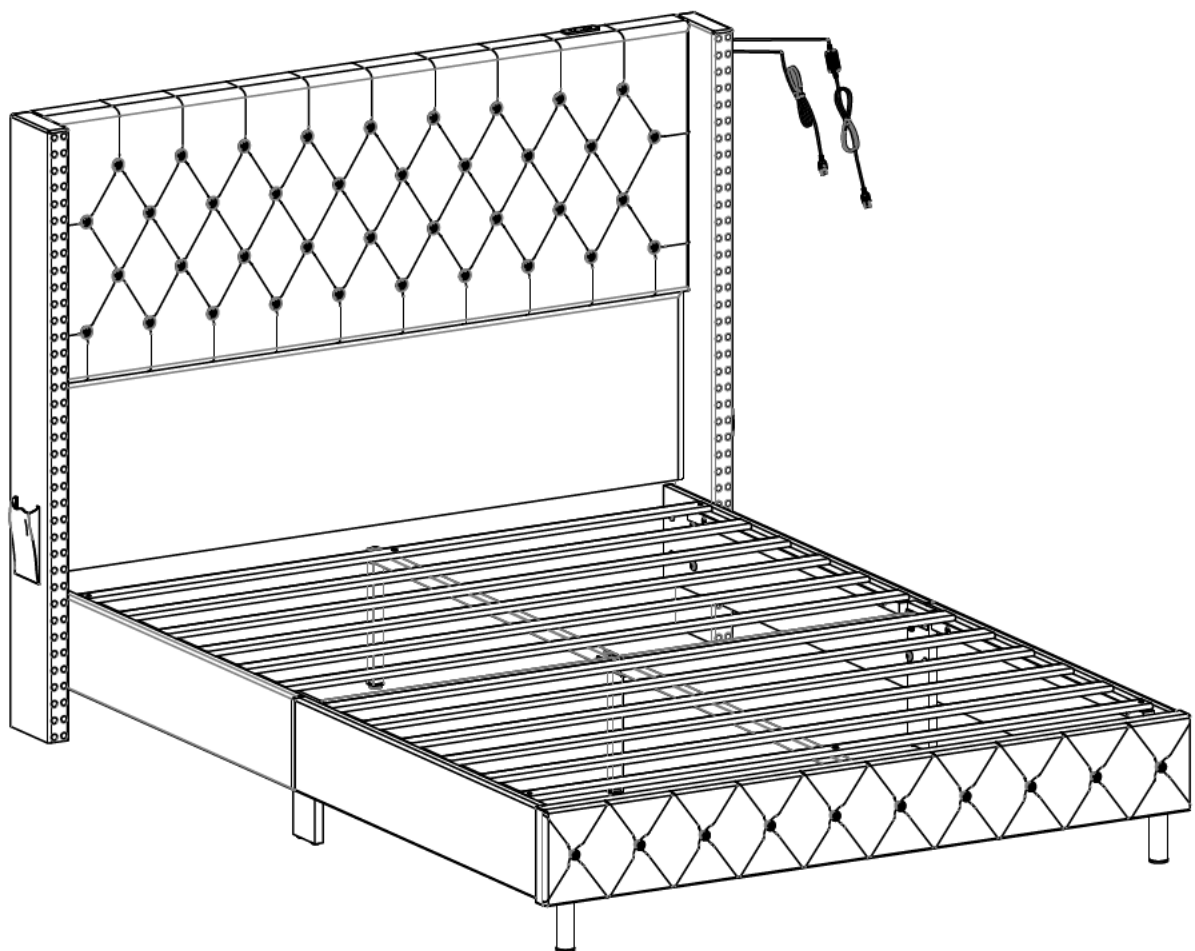
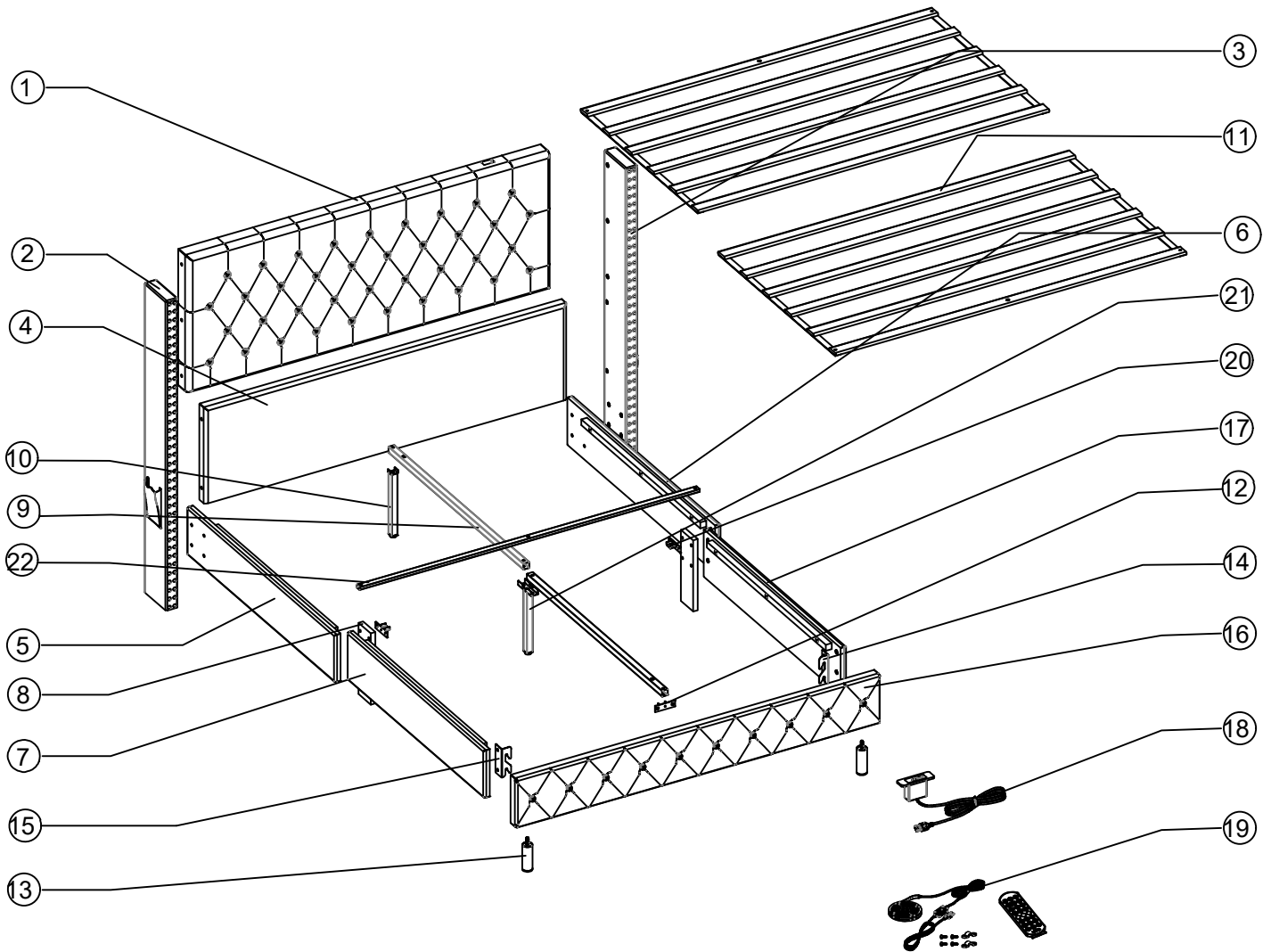


ASSEMBLY INSTRUCTION





Hardware list



M6x30mm

Ⓐ 2PCS
+ 1PCS



M8x20mm

Ⓑ 10PCS
+ 2PCS



M8x35mm

Ⓒ 14PCS
+ 2PCS



M8x45mm

Ⓓ 18PCS
+ 2PCS



M8x50mm

Ⓔ 1PC



M8

Ⓕ 22PCS
+ 2PCS



M5

Ⓖ 1PC



Ø4x35mm

Ⓗ 4PCS
+ 2PCS



M4

Ⓘ 1PC



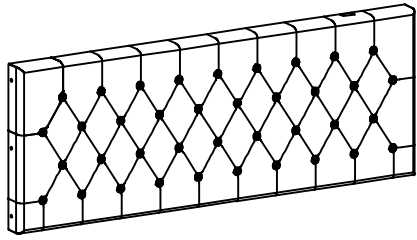
Ø3x15mm

Ⓙ 2PCS



Tips: The number after “+” represents the spare hardware.

Part list



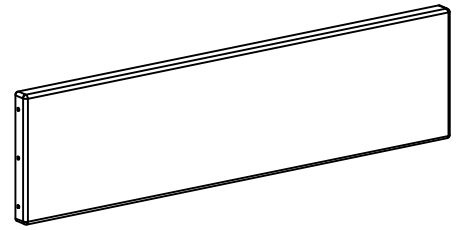
① 1PC



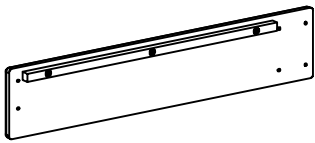
② 1PC



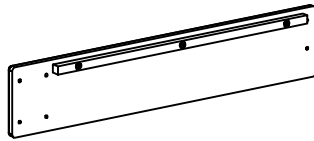
③ 1PC



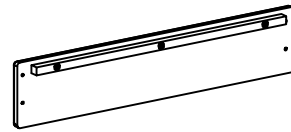
④ 1PC



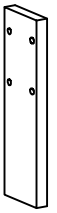
⑤ 1PC



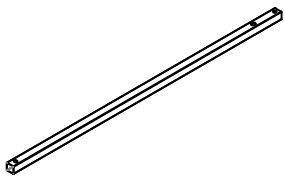
⑥ 1PC



⑦ 1PC



⑧ 2PCS



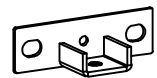
⑨ 2PCS



⑩ 1PC



⑪ 2PCS



⑫ 1PC



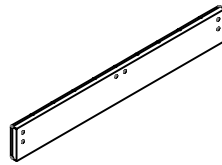
⑬ 2PCS



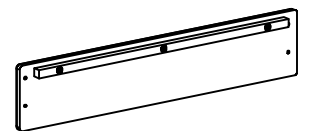
⑭ 1PC



⑮ 1PC



⑯ 1PC



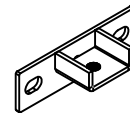
⑰ 1PC



⑱ 1PC



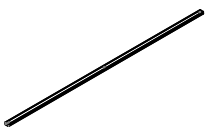
⑲ 1PC



⑳ 2PCS

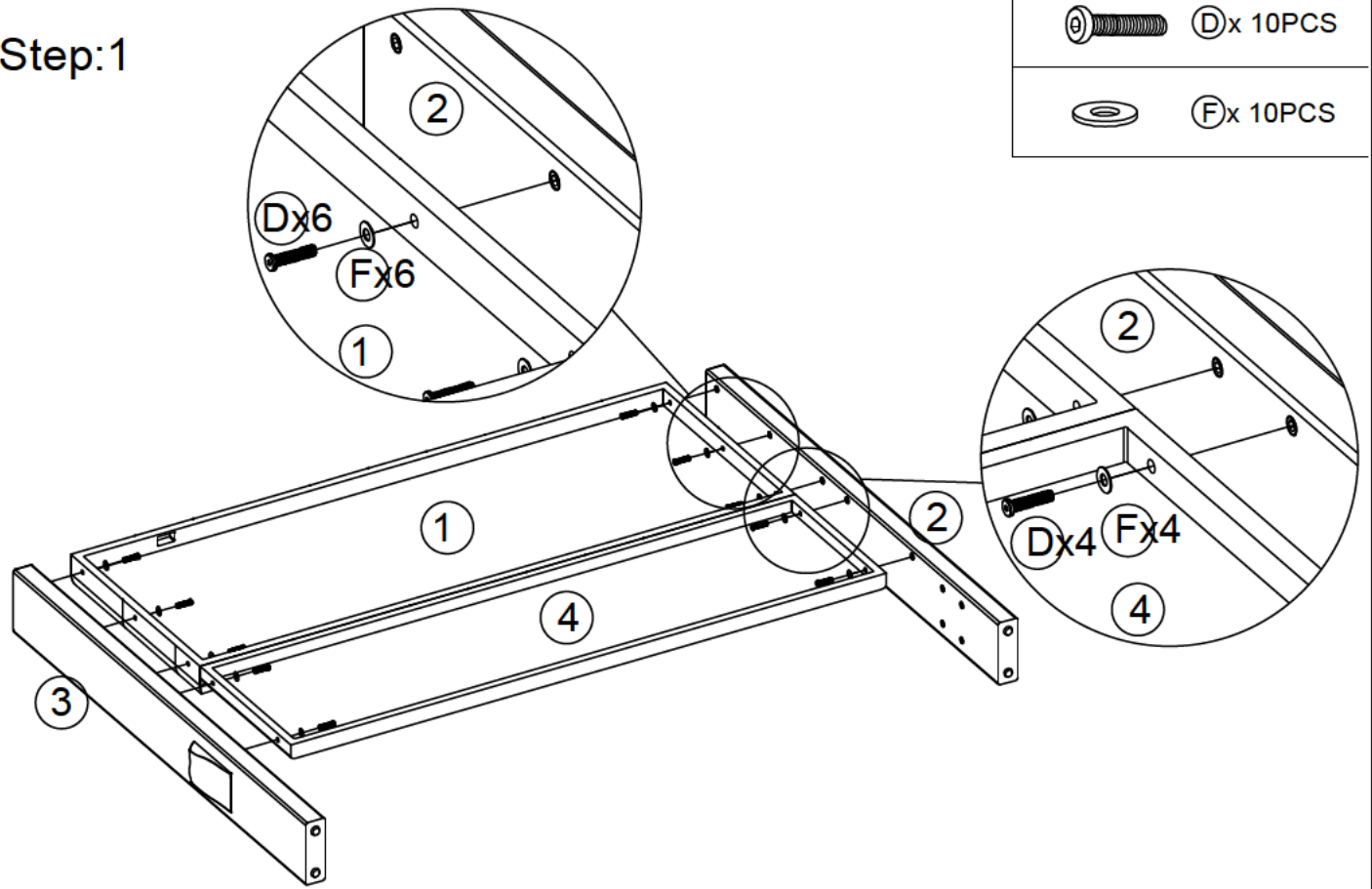


㉑ 1PC

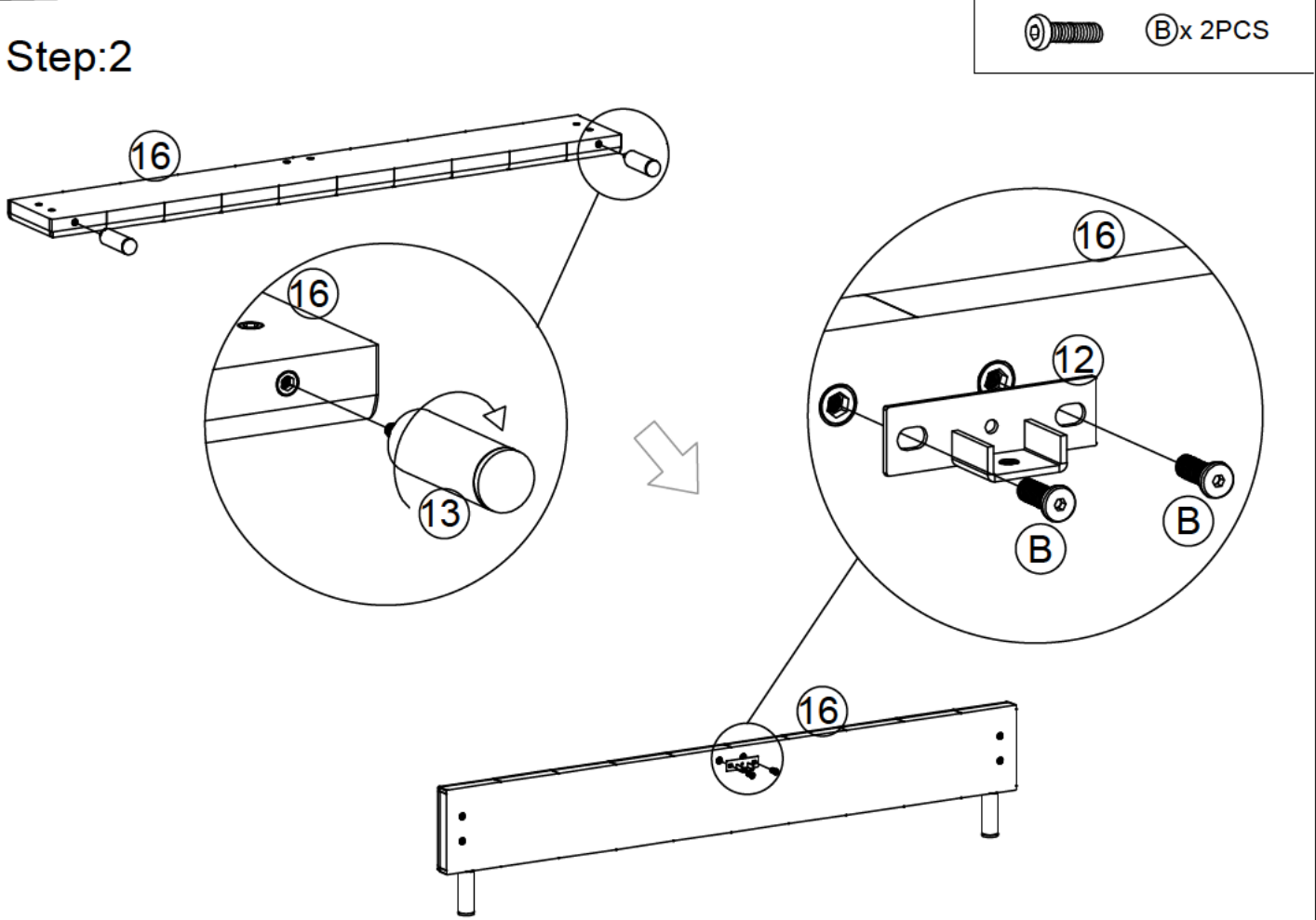


㉒ 1PC

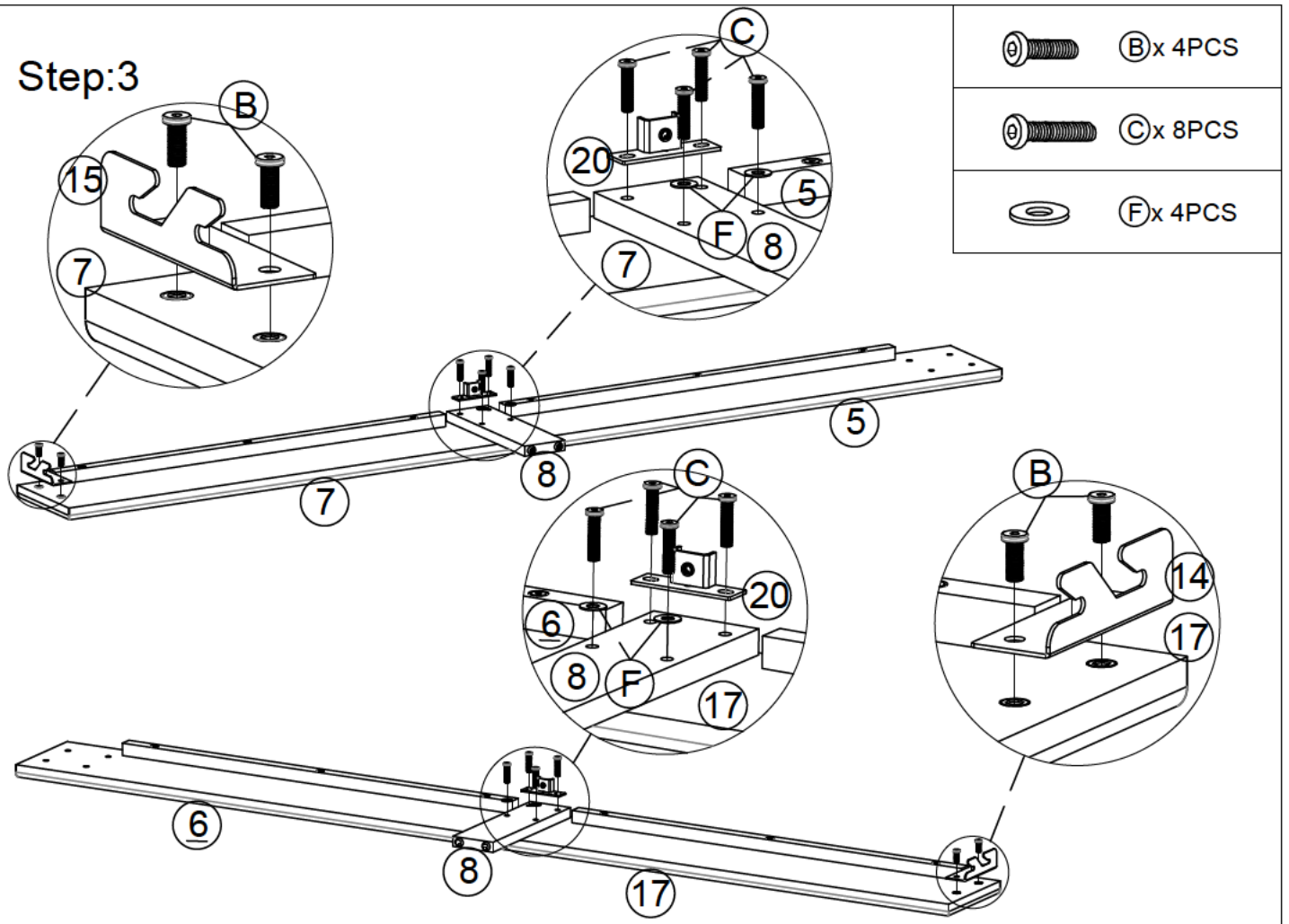
Step:1



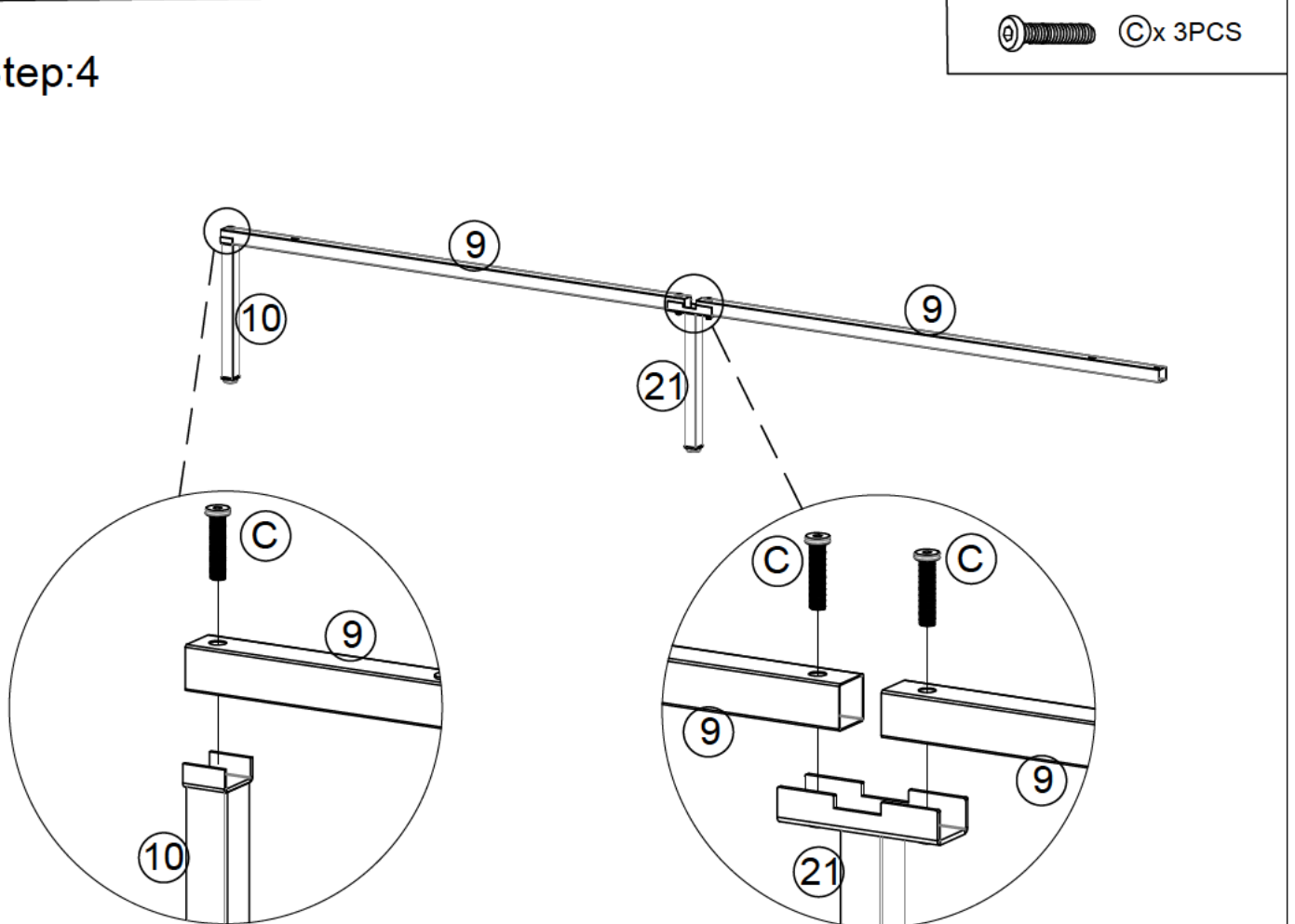
Step:2






Step:3

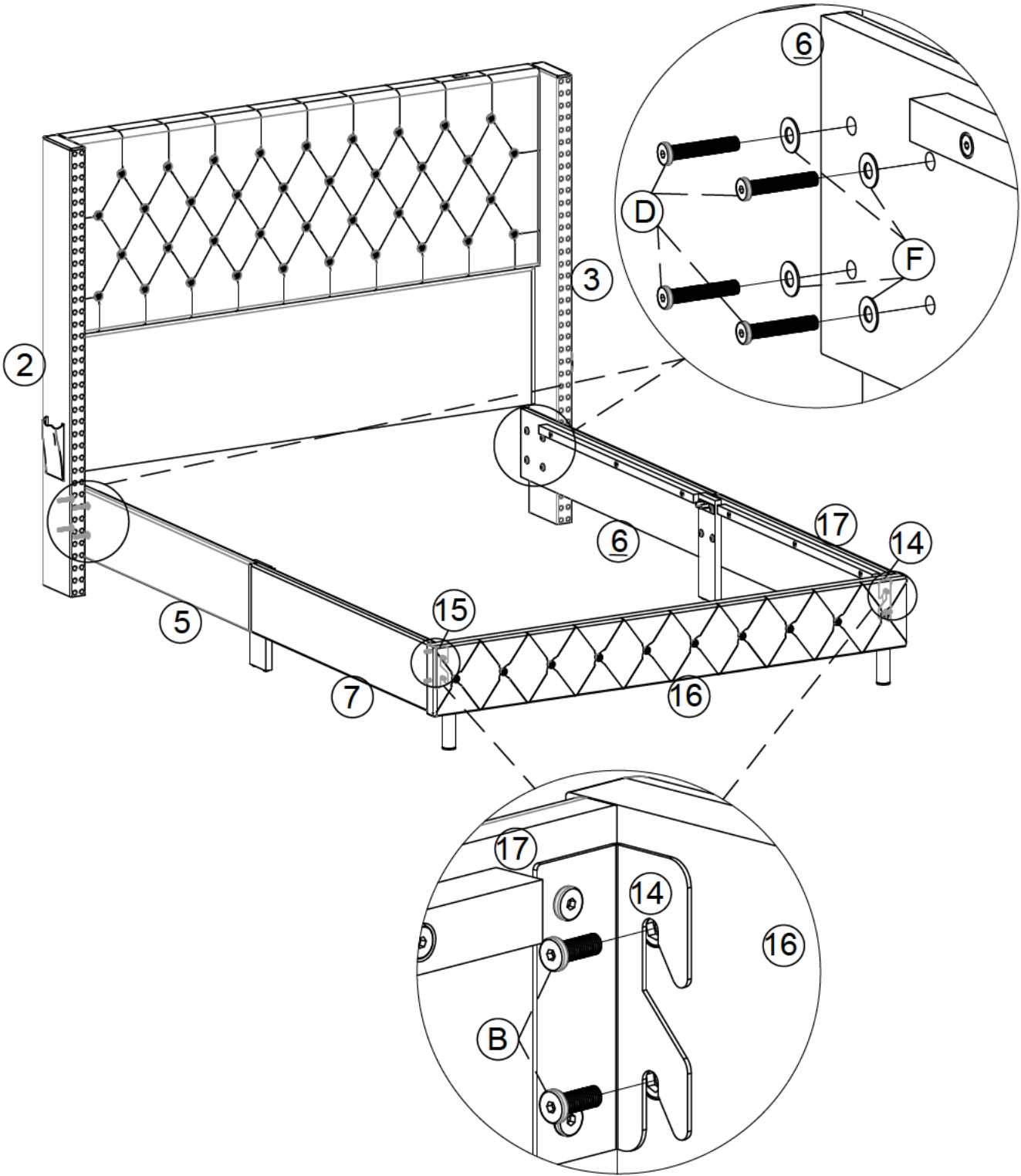


Step:4





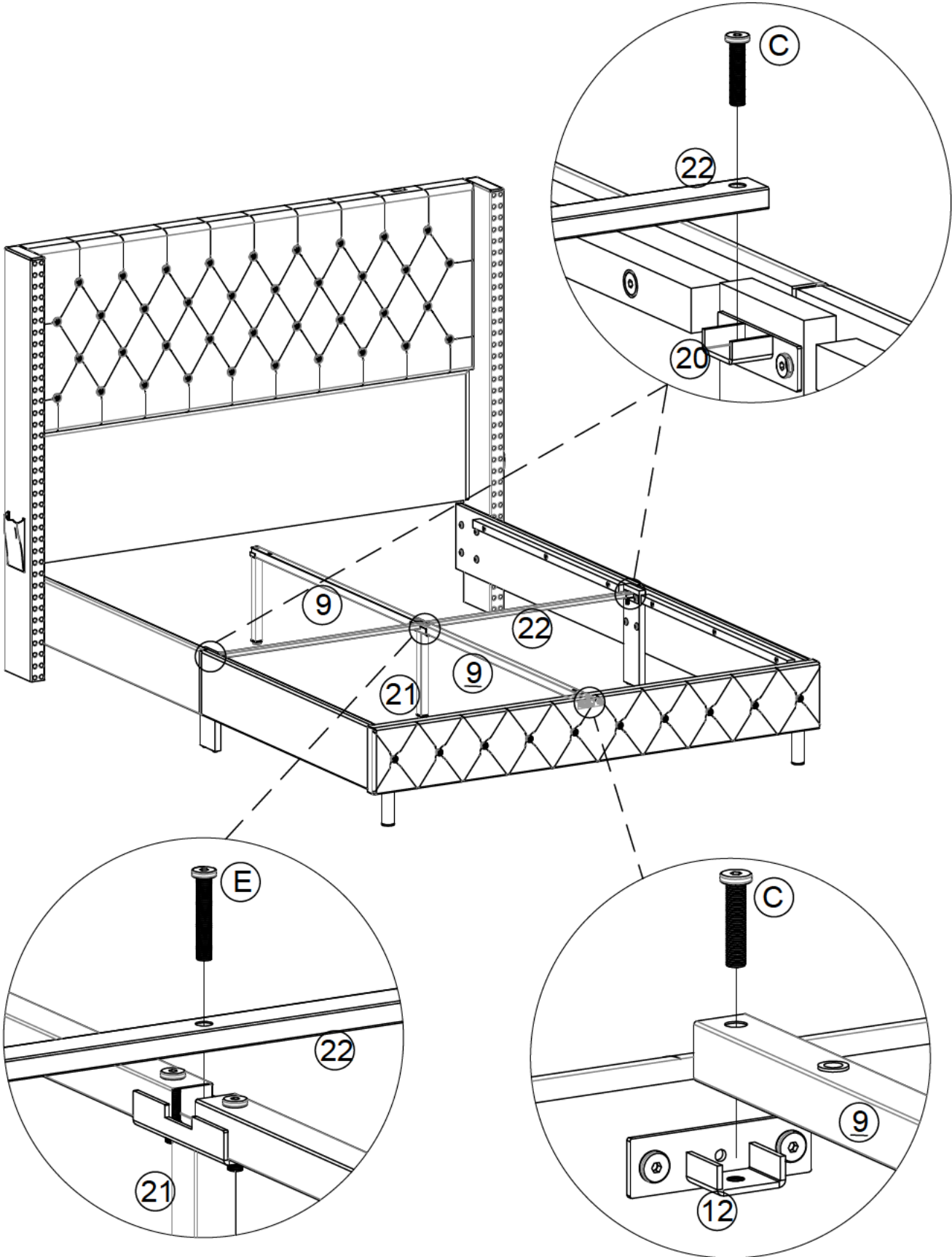
Step:5

	ⓑ x 4PCS
	ⓓ x 8PCS
	ⓕ x 8PCS





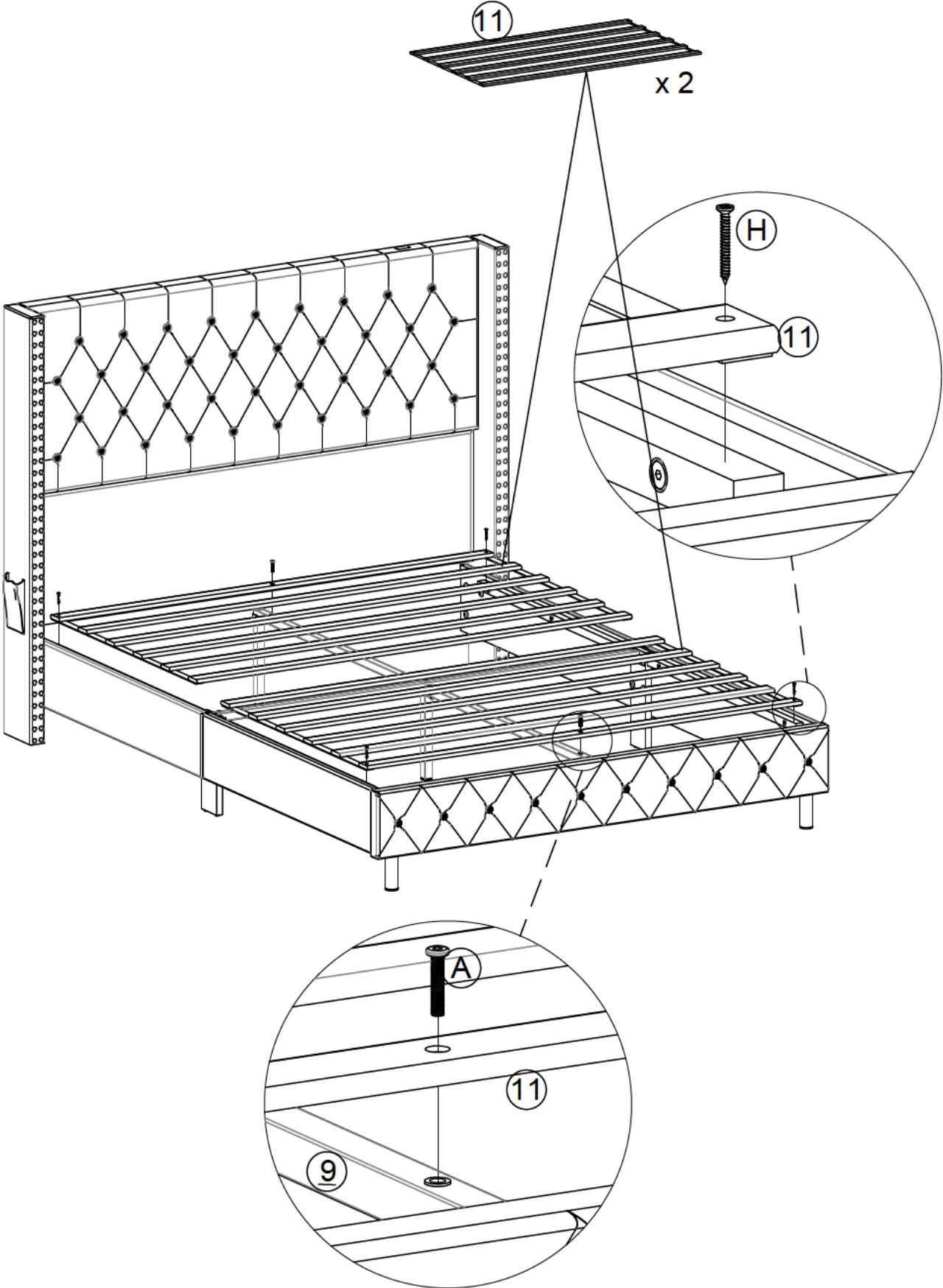
Step:6

-  C x 3PCS
-  E x 1PC



Step:7

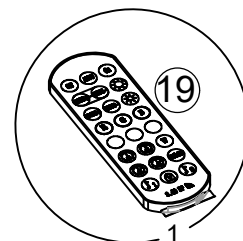
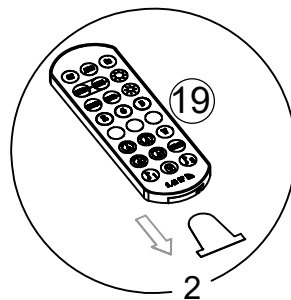
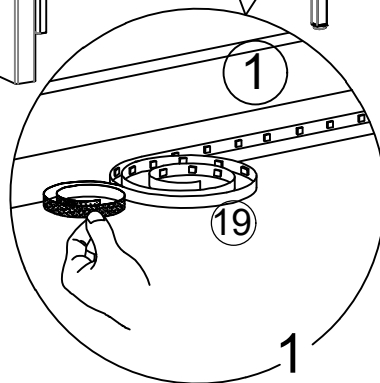
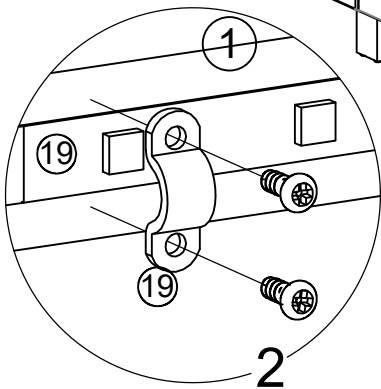
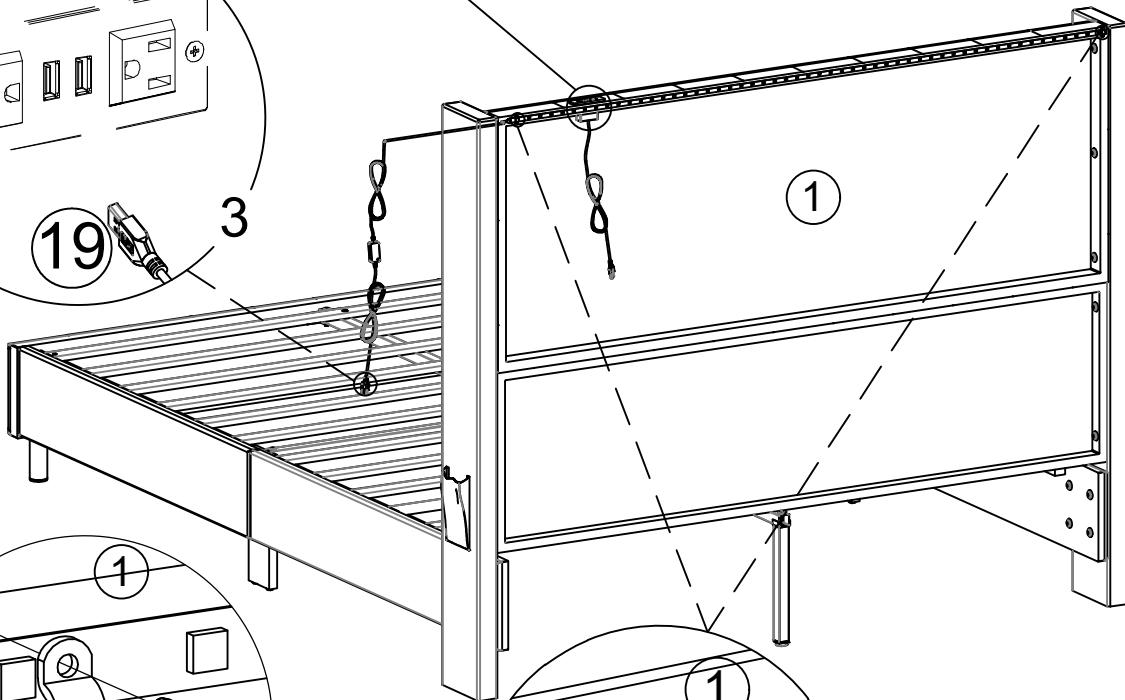
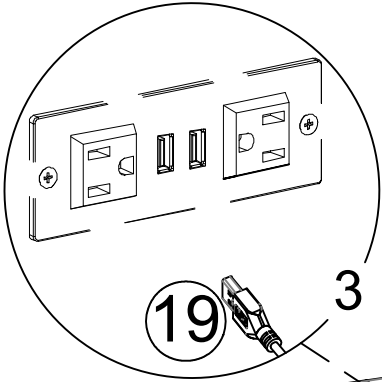
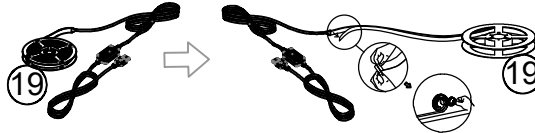
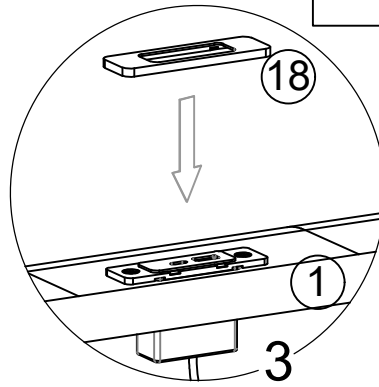
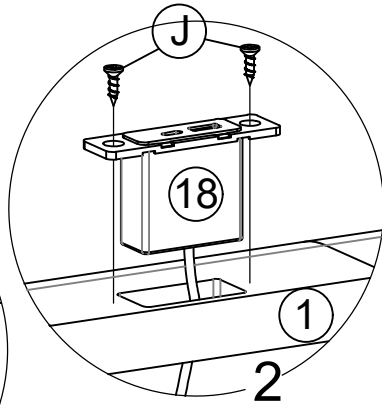
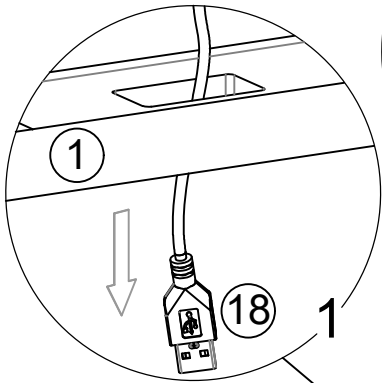
	(H) x 4PCS
	(A) x 2PCS



Step:8



J x 2PCS



APP Manual

1. Software Overview

1.1 Overview

LotusLantern is a mobile APP to control LED strip by both IOS and Android phones.

The traditional control ways like infrared, 433MHz, 2.4GHz and others old wired ways will be replaced by mobile phone control way with convenient, powerful and scalable features.

Through this mobile APP , you can not only control the color, brightness and color temperature of the LED strips but also set up all kinds of fancy flash mode ; Also this APP can change the light of the LED strip according to the rhythm of the music. This APP can set and control several LED strips through Bluetooth and the operation is very simple, easy to learn and easy to use.

1.2 Features

- Adjust color LED strips with 60,000 colors to change color and brightness and adjust monochrome LED strips to change brightness and color temperature
- Play music or turn on a sound playback device, you can let the light change the color and brightness with the rhythm of music, the music rhythm beautiful
- Inside multiple setting mode for color change and control LED strips without mobile
- Long distance control with omni-directional antenna, and many-to-many group control mode
- Once the connection is successful, connect automatically next time

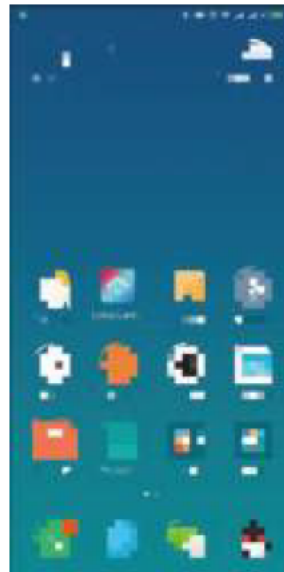
1.3 Performance

LotusLantern APP is easy for use as well as great compatible with all kinds of smart phones; After the actual test of hundreds of mobile phones verification, the compatibility is above 95% of mobile phones in the market. APP is small and convenient, it consumes less system resources, so the requirements of the mobile configuration are low. Control delay is small, the operation feels good, light control is smooth with people's visual sense.

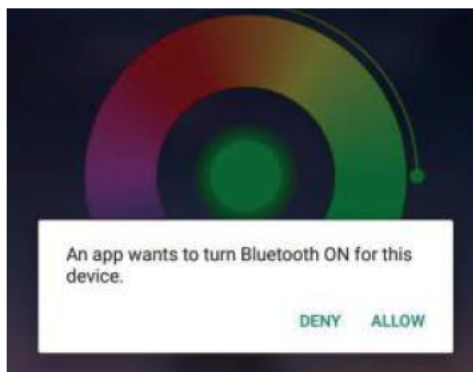
2. Operating Environment

This APP program requires phones of system above Andriod 4.3 and iOS 8.0. Mobile phone configuration is not limited.

3.2 App Operation



- (2) After entering the APP interface, if Bluetooth is not enabled, "an application wants to enable the Bluetooth function of this device." Click [Allow]



- (3) switch to color and brightness interface:

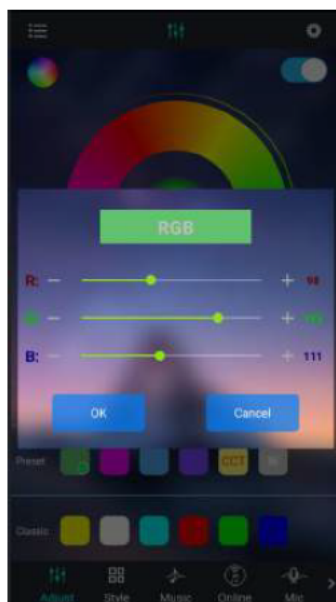
A smartphone screen displaying a color and brightness control interface. The interface features a large color wheel, a brightness slider, and various preset color buttons. Callout boxes with arrows point to specific UI elements: "Click to show the lamp list" points to a hamburger menu icon; "Switch the color wheel" points to the color wheel; "Display the RGB value Click to manual adjustment view" points to a small window showing RGB values; "Click to shift the interface" points to a home indicator icon; "Click to display setting view" points to a gear icon; "Lamp switch button" points to a toggle switch; "Adjust the color" points to the color wheel; "Click square icon to adjust the color" points to a square icon in the preset row.

(4) click to show the lamp list, view lamp list:

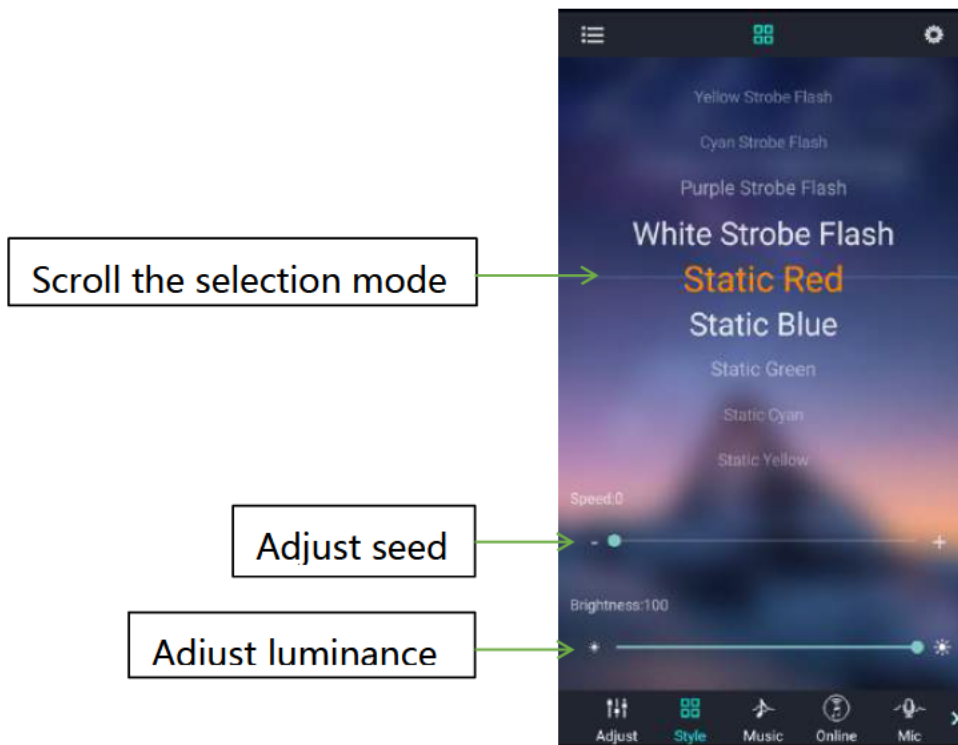
Bluetooth auto connect
after search for devices



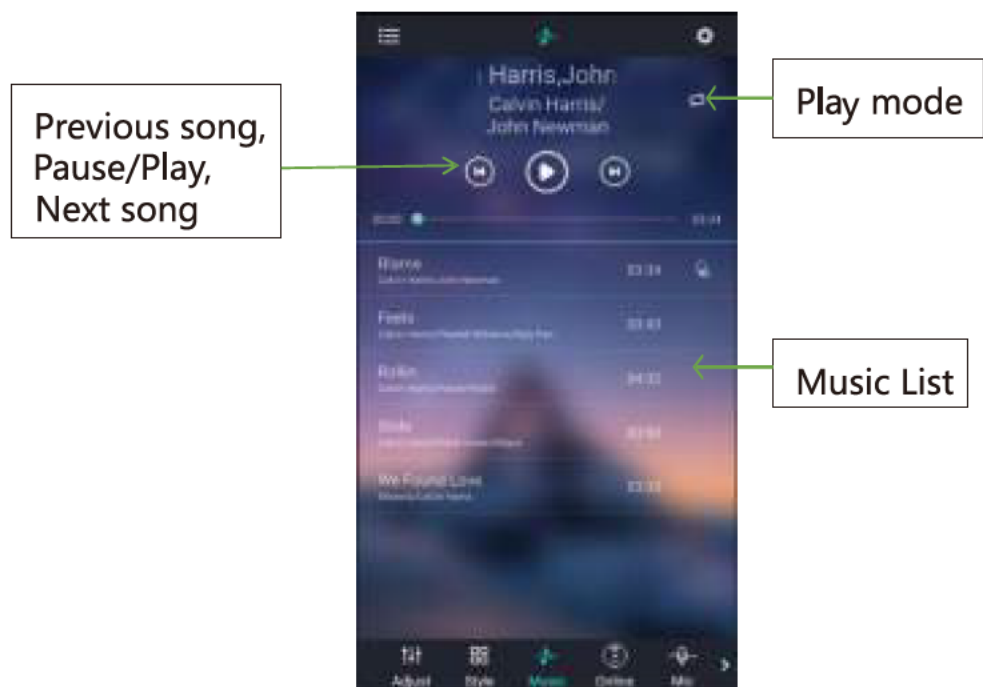
(5) Click to RGB manual adjustment view:



(6) switch to the mode interface:



(7) switch to the music rhythm interface:

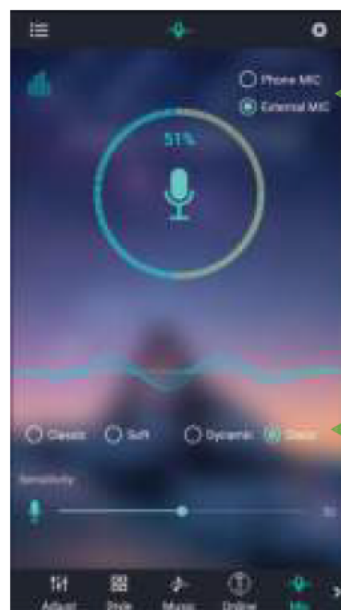


(8) Switch to the online music interface:



(9) Switch to the microphone rhythm interface:

Music rhythm through the microphone on the product

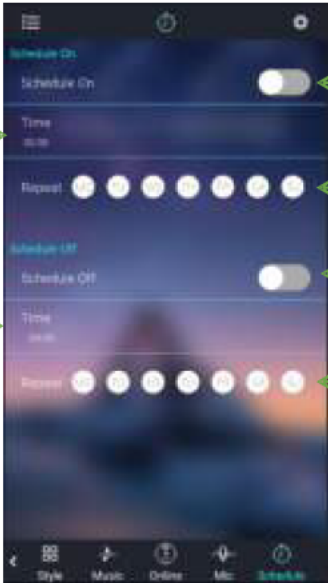


Switch phone microphone and external microphone

4-style rhythm

Change the sensitivity of MIC to match the sound

(10) Switch to the schedule interface:



The screenshot shows a mobile application interface for scheduling light events. It is divided into two main sections: 'Schedule On' and 'Schedule Off'. Each section has a toggle switch to enable or disable the function, a 'Time' field, and a 'Repeat' section with a row of seven circular indicators. The first indicator in each row is selected, indicating a 'once' setting. Callout boxes provide instructions for each of these elements.

Set the time of Light-On

Set the time of Light-Off

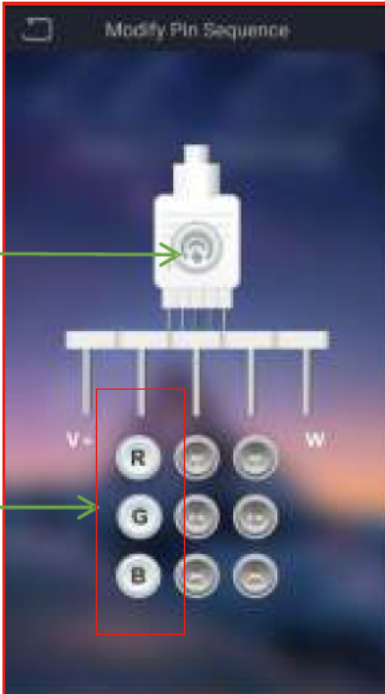
Enable or disable the Light-On function

Repeat setting
No selection for once Light-On

Enable or disable the Light-Off function

Repeat setting
No selection for once Light-Off

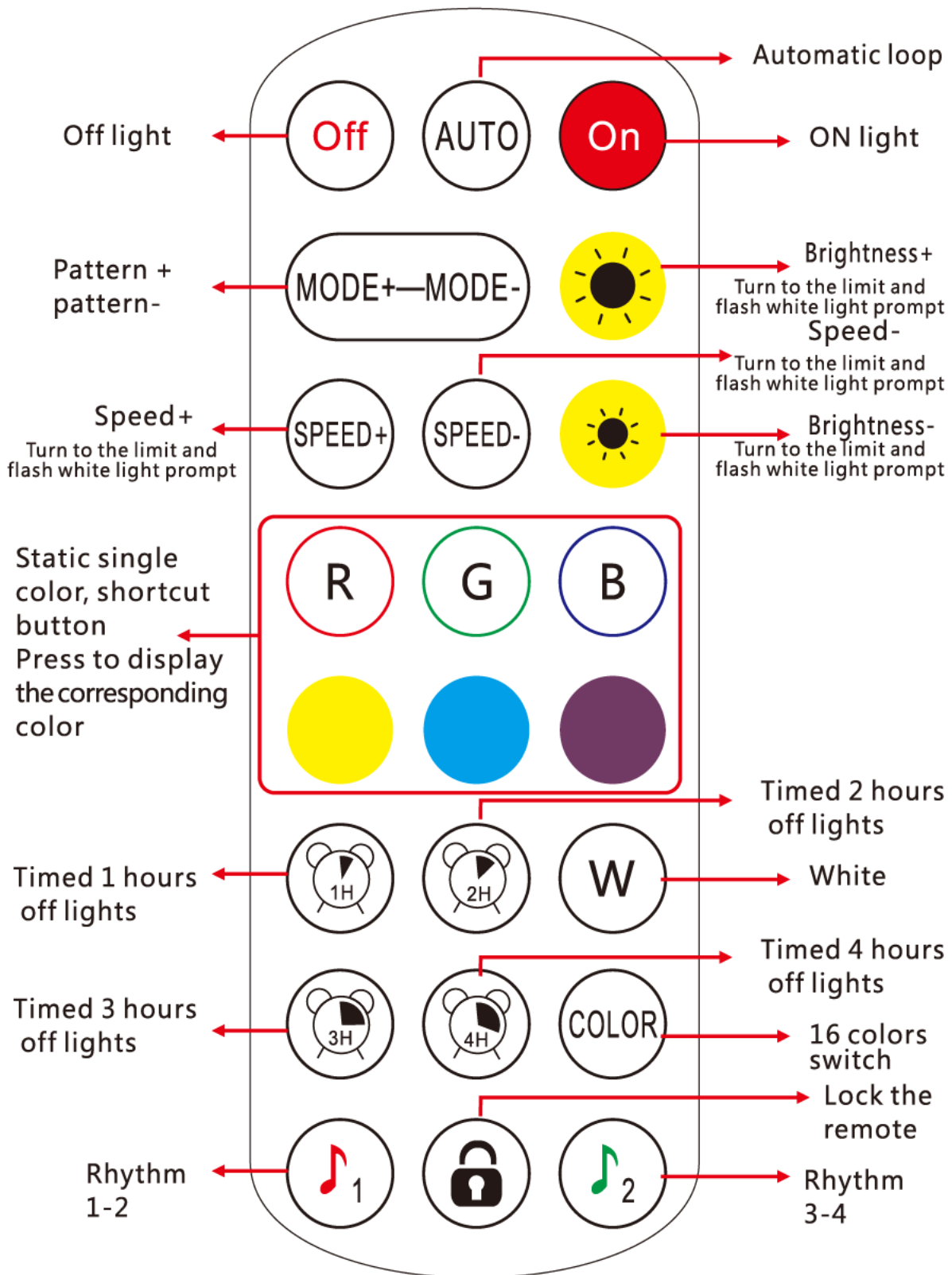
(11) Switch to the modify pin sequence interface:



The screenshot shows the 'Modify Pin Sequence' interface. At the top, there is a save icon and a save button. Below it is a diagram of a pin header with several pins. A keyboard-like interface is shown below the pins, with buttons for 'R', 'G', and 'B' highlighted in a red box. Callout boxes provide instructions for saving the assignment and changing the color of the selected line.

Click to save the new assignment

Change the real color of this line



Rhythm 1-2: Single click to switch to 1-2 rhythm mode
 Rhythm 3-4: Click to cycle through the 3-4 rhythm mode
 Remote control lock: After pressing, the remote control is locked, pressing the switch is available, other keys are invalid. After pressing once, the unlock button can be used. After the remote control is locked, press the switch to unlock the remote control.