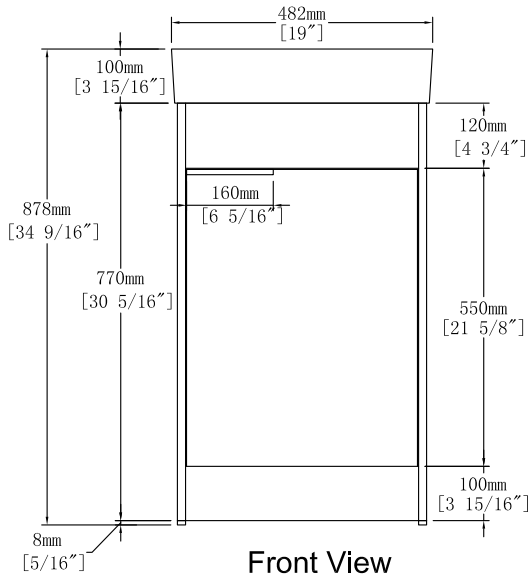
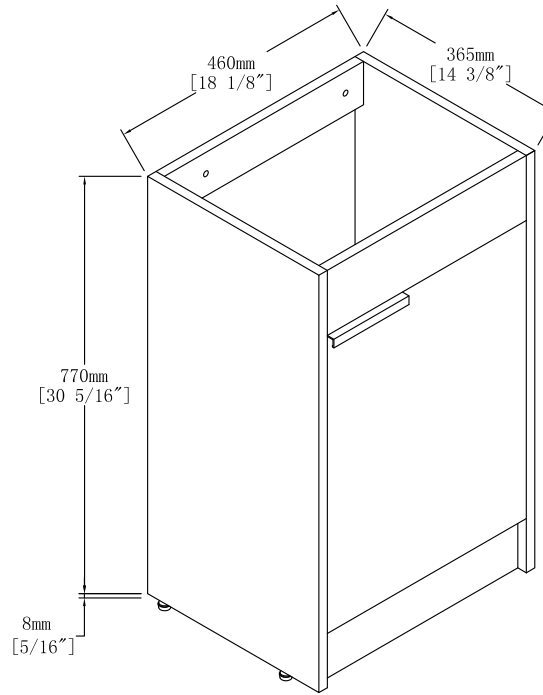
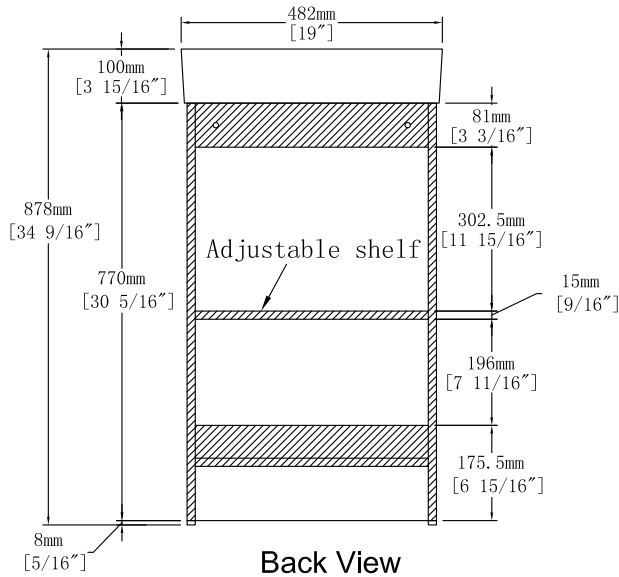


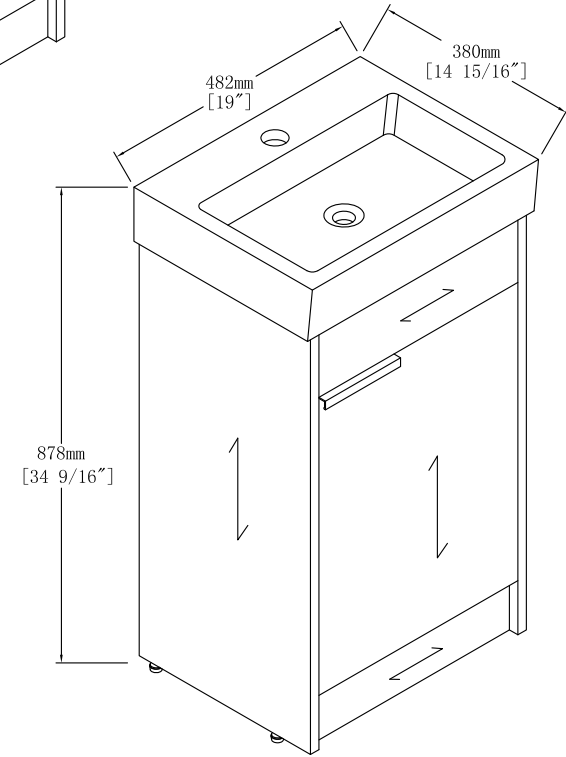
Top View



Front View



Back View



	Item NO.	BV C01618	Version	..
	Projece		Date	