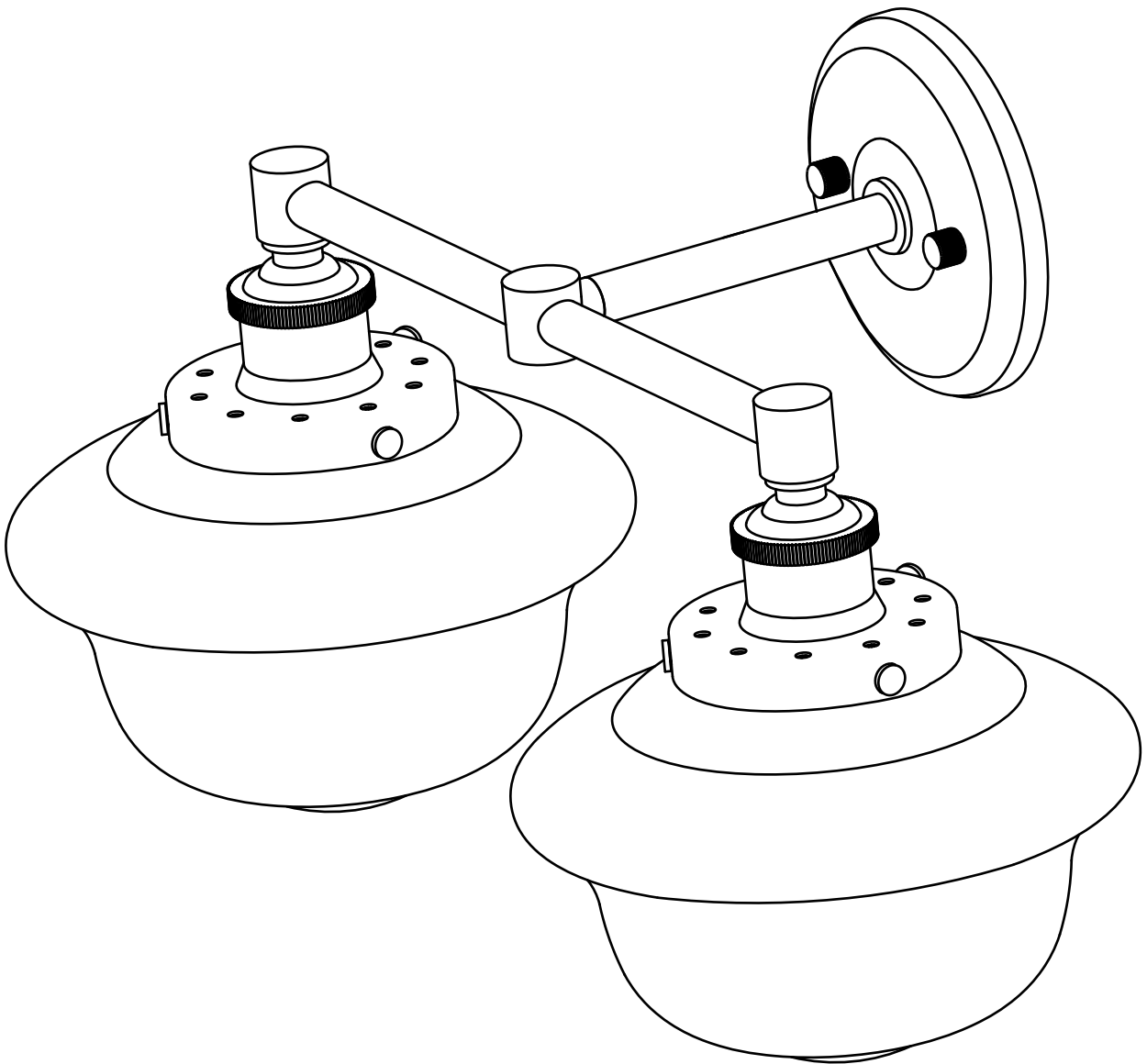


2 Light Bathroom Vanity Light

ASSEMBLY INSTRUCTIONS

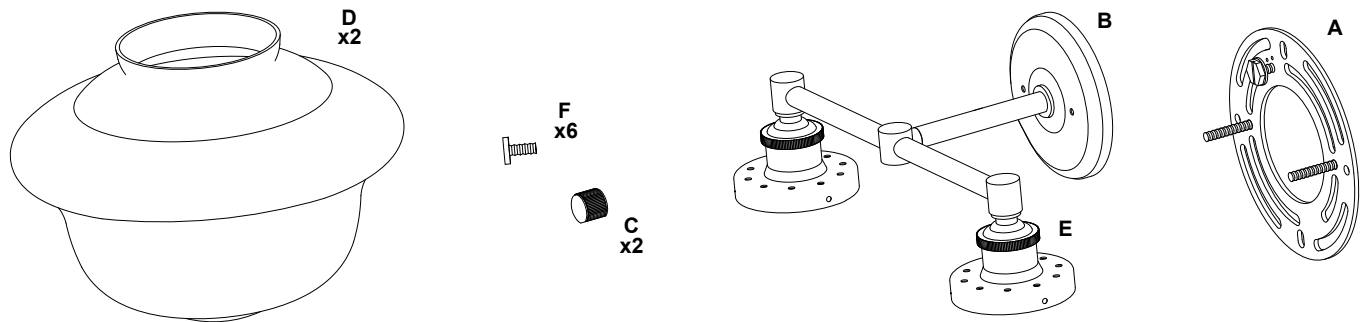
REMOVE ALL PARTS FROM PACKAGE, BE CAREFUL NOT
TO DAMAGE ANY COMPONENTS.



PROFESSIONAL INSTALLATION RECOMMENDED

2 Light Bathroom Vanity Light

REMOVE ALL PARTS FROM PACKAGE, BE CAREFUL NOT TO DAMAGE ANY COMPONENTS.



1. Measure area and determine desired mounting height.

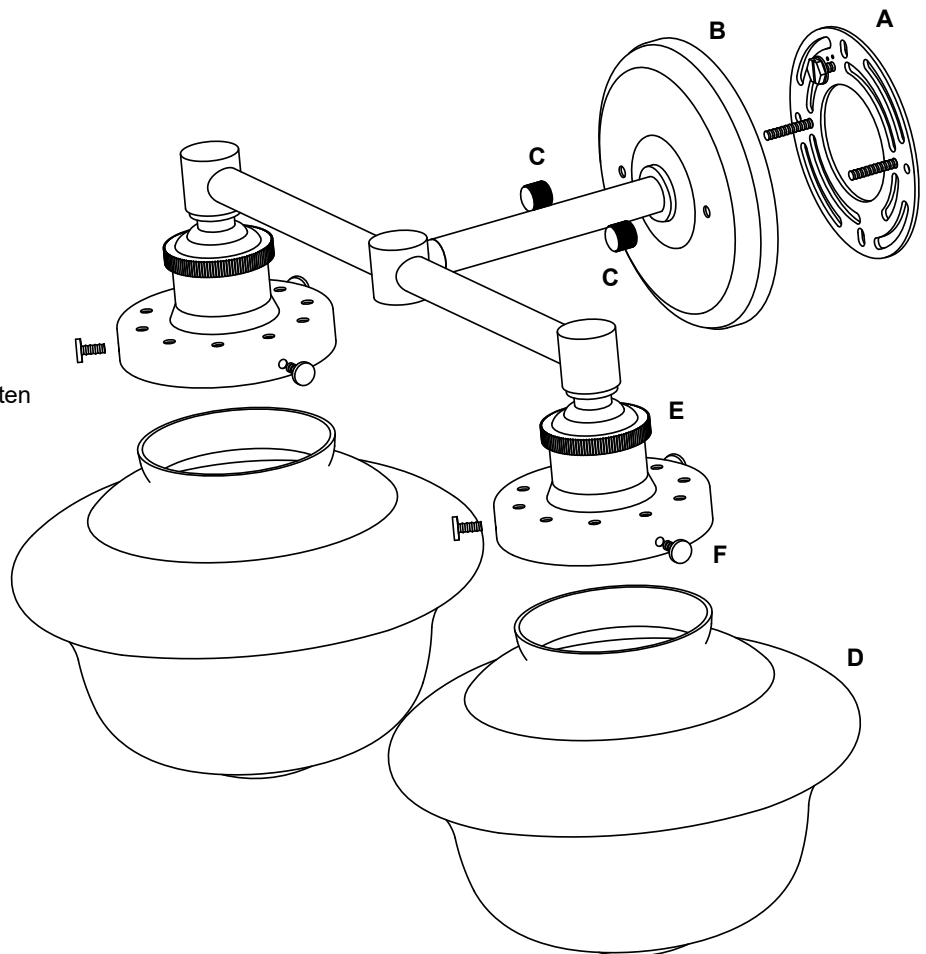
2. Detach mounting plate [A] from backplate [B] by removing backplate nuts [C].

3. Mounting plate [A] will attach to junction box.

4. Install light to wall. We recommend installation by a qualified electrical professional. Replace backplate nuts [C] to secure light to the wall.

5. Install bulb(s) 60W max (not included).

6. Install glass shade(s) [D] on to socket(s) [E] and tighten by using shade screws [F].



Note: Turn off switch before replacing the bulb. Make sure the bulb has sufficient time to cool down. Do not subject the lamp to any shock while lit as shattering of glass shade may result.