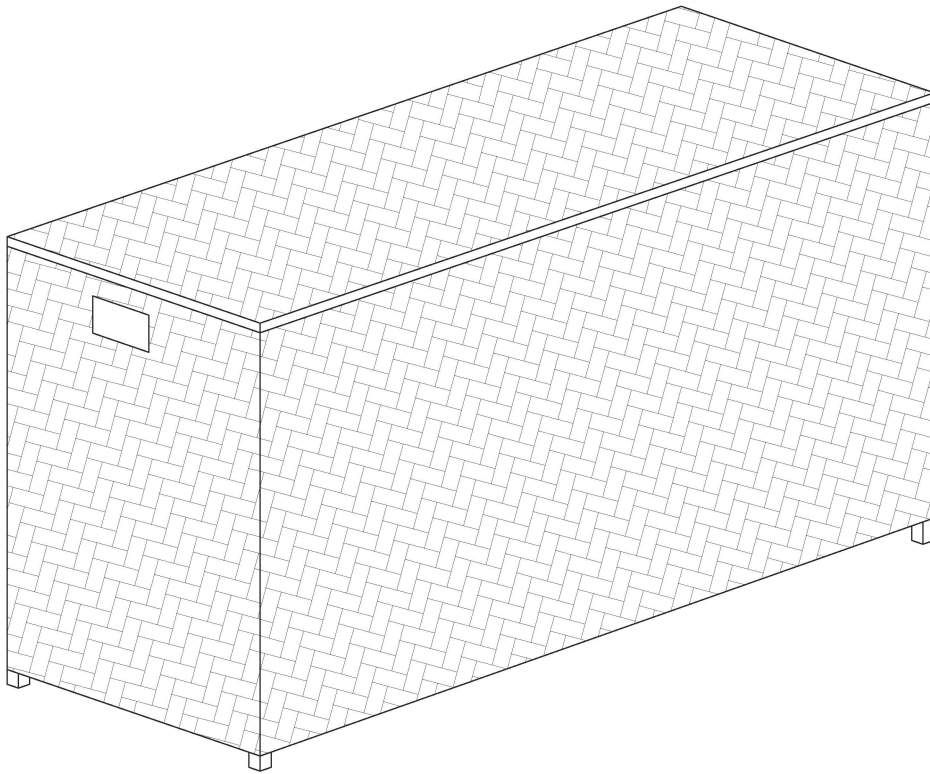


ASSEMBLY INSTRUCTION





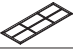

80 Gallon Wicker Storage Box









ASSEMBLY INSTRUCTIONS

**ATTENTION: THIS PRODUCT IS NOT FOR COMMERCIAL USE
INTENDED FOR RESIDENTIAL USE ONLY.**

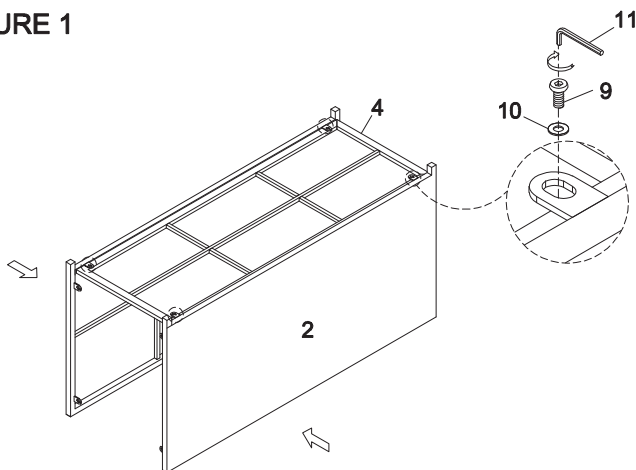
PARTS LIST

| PART NO. | PART | Q'TY |
|----------|--|------|
| 1 | FRAME TOP  | 1 |
| 2 | FRONT & BACK FRAME  | 2 |
| 3 | LEFT FRAME  | 1 |
| 3A | RIGHT FRAME  | 1 |
| 4 | BOTTOM FRAME  | 1 |
| 5 | LINER BAG  | 1 |

| PART NO. | PART | Q'TY |
|----------|---|------|
| 6 | GAS LIFT  | 1 |
| 7 | SCREW M4*30  | 6 |
| 8 | SCREW DRIVER  | 1 |
| 9 | BOLT M6*15  | 12 |
| 10 | WASHER d7*D20*2  | 12 |
| 11 | ALLEN KEY M4  | 1 |

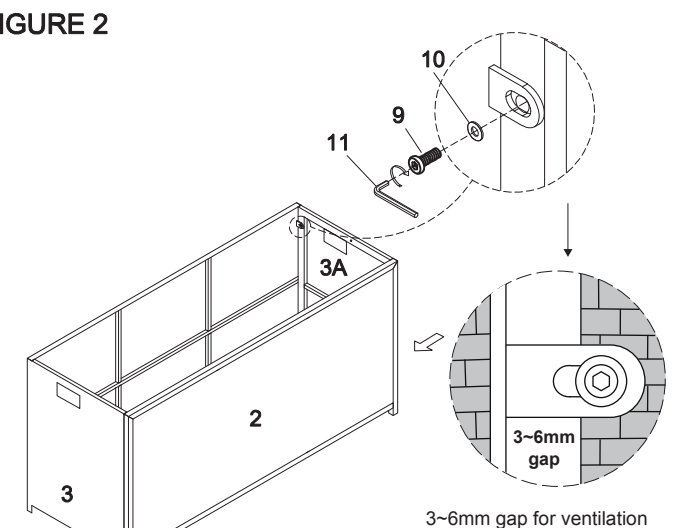
Attention:
Make sure that each bolt needed for all steps matches the corresponding figure to ensure proper assembly.

FIGURE 1



Step 1:
Put (4) on (2) as shown in figure 1, using Bolts (9) and Washers(10) with Allenkey (11) to position (4) and (2)

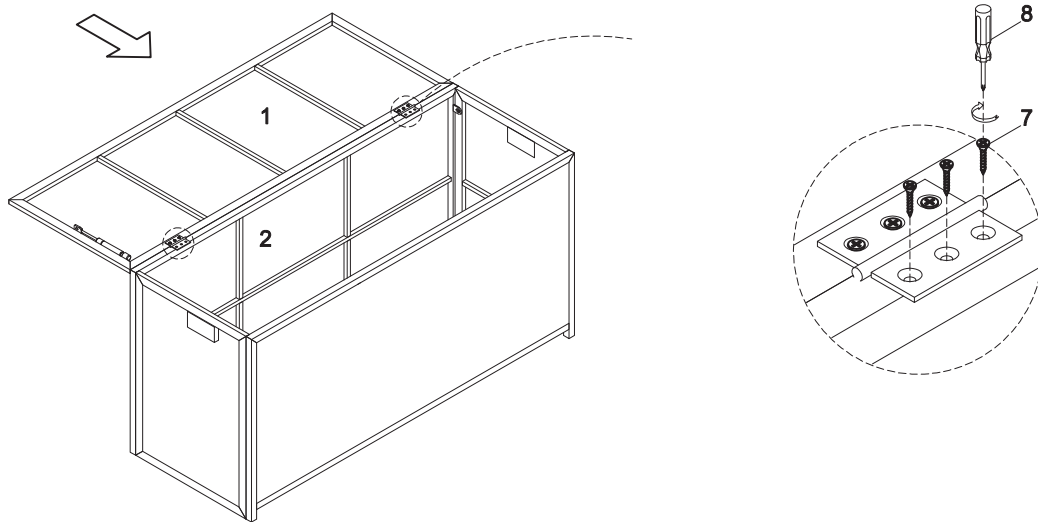
FIGURE 2



Step 2:
Assemble (3) to (2) by using Bolts (9) and Washers(10) with Allenkey (11), please make sure that the 3A should be on the left hand side as shown in Figure 2

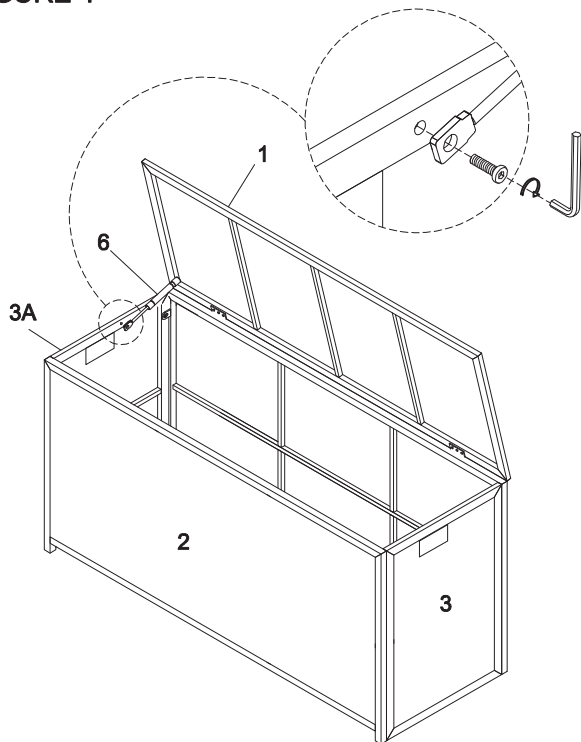
⚠ Keep children away during assembly. This item contains small parts that can be swallowed by children. Retain these assembly instructions for future reference.

FIGURE 3



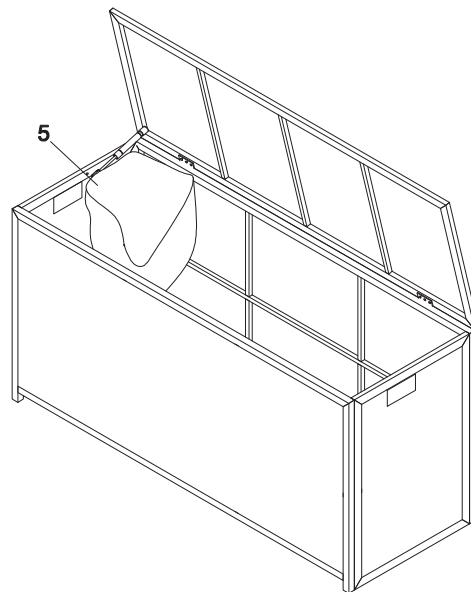
Step 3:
Assemble (1) to (2) as shown in figure 3, use screw (7) and tovit (8) to position (1) and (2)

FIGURE 4



Step 4:
Open the tie (6) and assemble to 3A as shown in Figure 4
Tightening all the Bolts

FIGURE 5



Step 5:
Install liner bag (5) into the cushion box as shown in Figure 5
Store this guide and any leftover accessories

Cleaning and Maintenance

- Wash frame parts with mild soap and water, rinse thoroughly, and dry completely. Do not use bleach, acid, or other solvents on the frame parts.
- We recommend the use of furniture covers when not in use.
- Inspect and tighten all bolts and fasteners on a regular basis to ensure the proper performance and safety of your Wicker Storage Box.
- In order to prolong the life and beauty of your Wicker Storage Box, we recommend that it be stored in a dry and protected area during off season periods.

⚠ Please keep children out of reach of the cushion box without surveillance, the cover part may hurt their hands.