



05 : 00

estimated
assembly time



1 or more

people required

Ok, let's
get started!



- Put on mood music!
- To prevent damage to product, use the clean side of package carton or rug as working surface for assembly.
- In the event of missing or damaged parts, delivery problems etc., please reach out to our team. We will be happy to fix the problem!

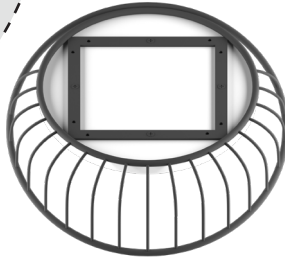
care guide

- Clean regularly with a soft and dry cloth.
- To protect finish, avoid use of abrasive cleaners.
- Wipe up spills immediately. Please!

ⓘ **While assembling the product, tighten the bolts up to 50%. Once all parts are in place, only then fully tighten the bolts.**



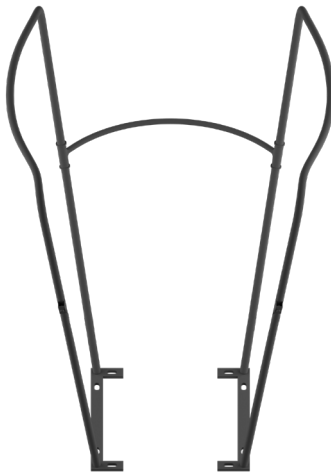
product parts



A
Wooden Top
x1

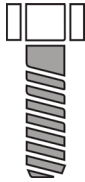


B
Footrest
x1

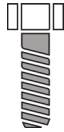


C
Metal Legs
x1

what's included



(D) - Bolt Large
x8



(E) - Bolt Small
x2



(F) - Allen Key
x1

OS Orange Sticker

GS Green Sticker

assembly instructions

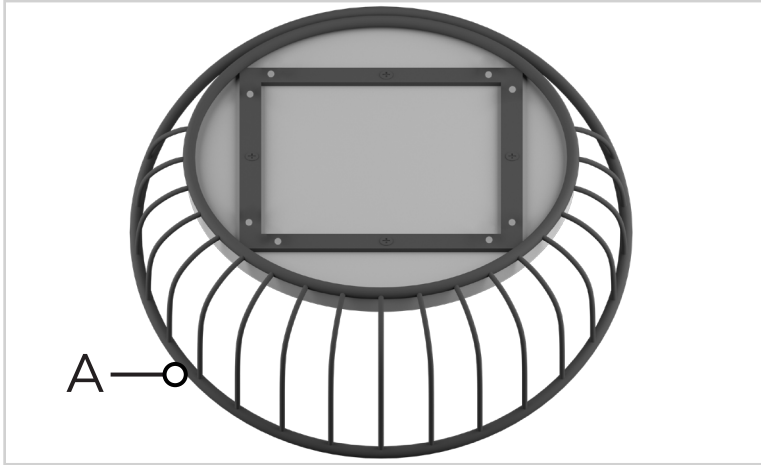
Friendly Tip: Take a deep breath going in. This may be a tricky part, but nothing too overwhelming. Just follow these steps to the T and the outcome will be worth it!



- ⓘ While assembling the product, tighten the bolts up to 50%. Once all parts are in place, only then fully tighten the bolts.

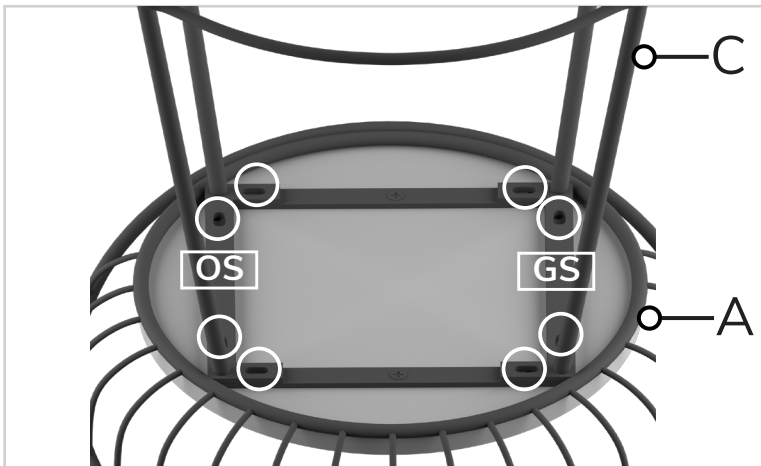
step 1:

Turn the wooden top (A) of the stool upside down.



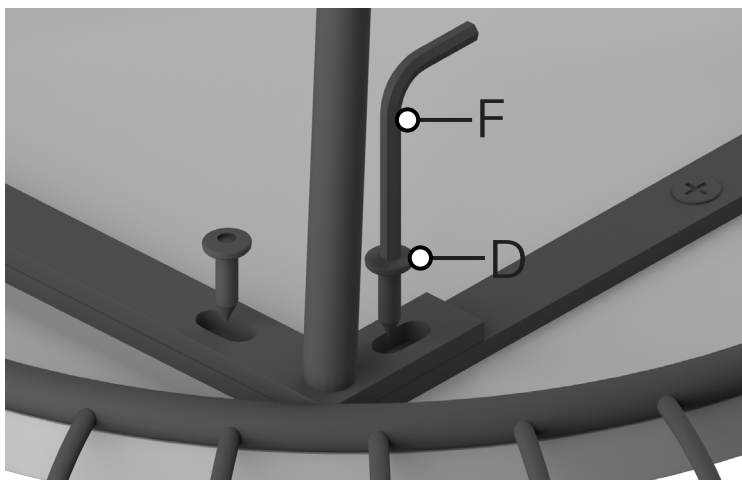
step 2:

Align the metal legs (C) on the wooden top (A) in such a way that the orange (OS) and green stickers (GS) align with their respective others.



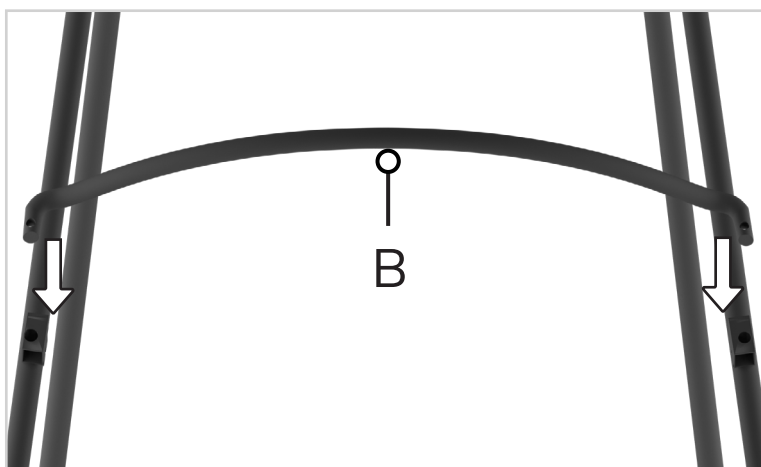
step 3:

Place the bolts large (D) on the highlighted parts as shown in Step 2 and using a allen key (F), tighten them.



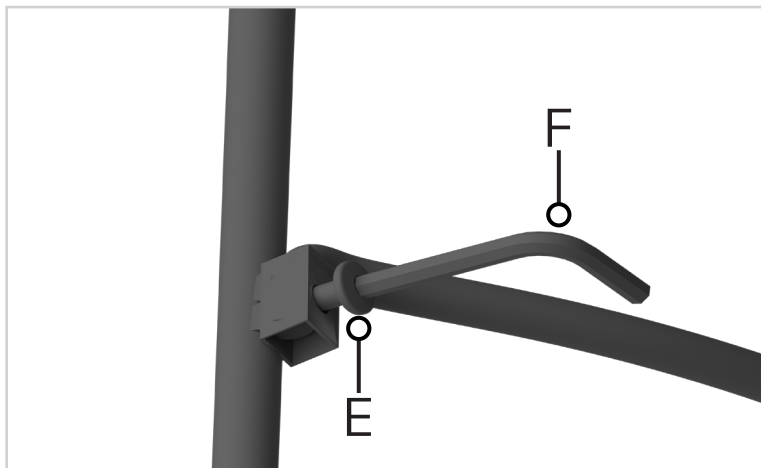
step 4:

Insert footrest (B) inside the slots in the metal legs (C) as shown in the image below.



step 5:

Place the bolts small (E) using the image below as reference and tighten them using allen key (F).



Voila! Your barstool is now assembled and secure!