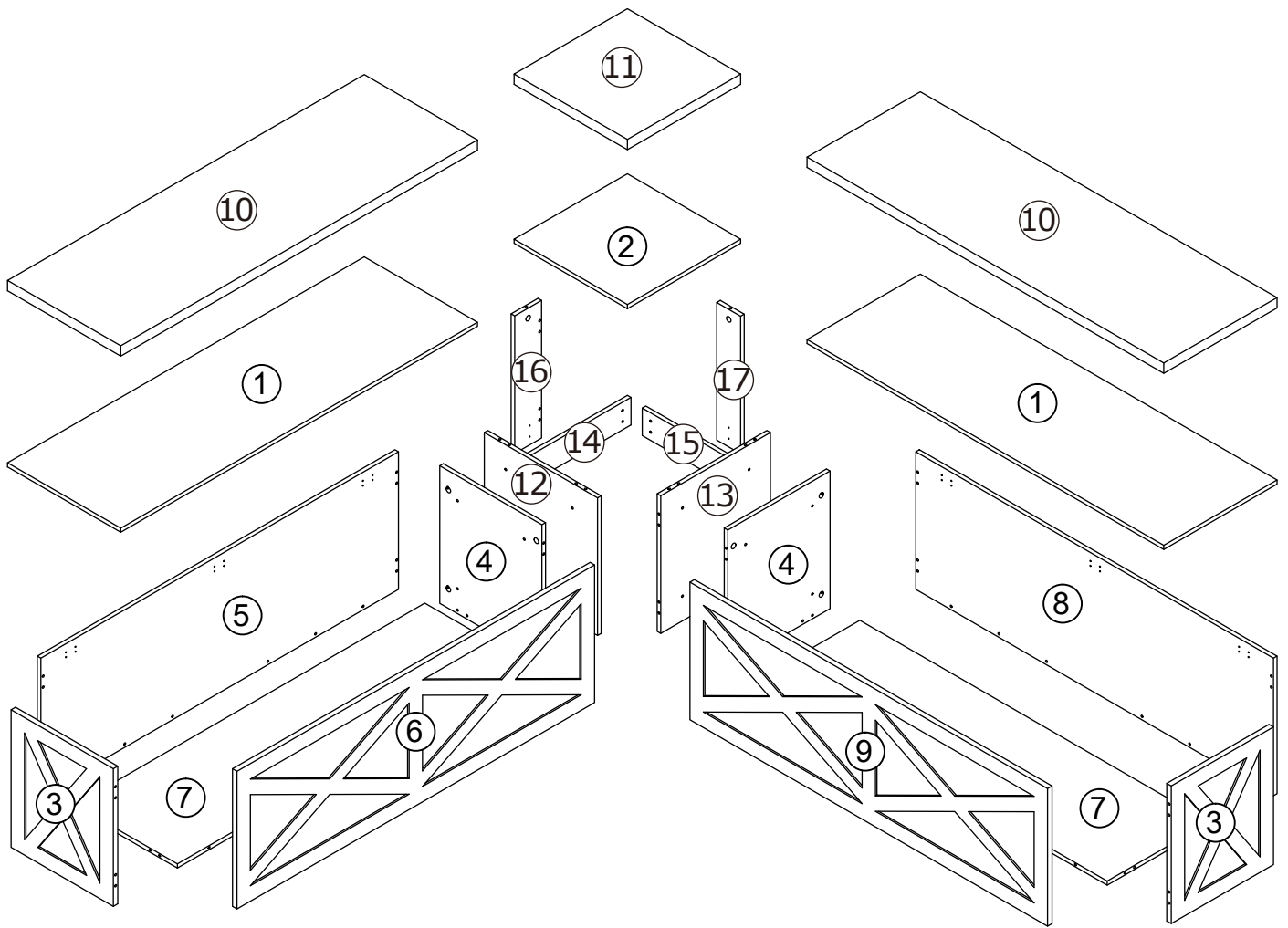
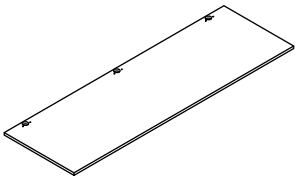
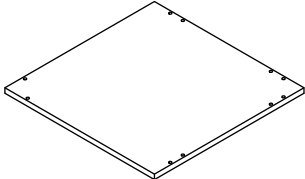
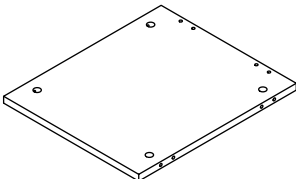
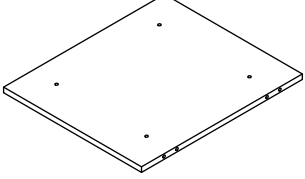
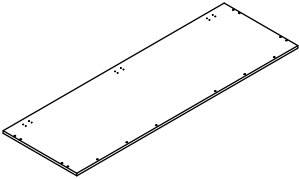
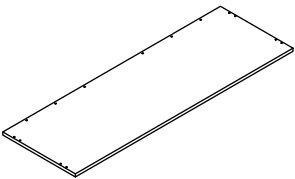
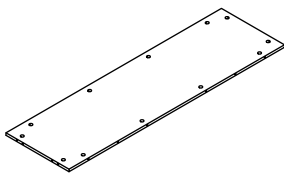
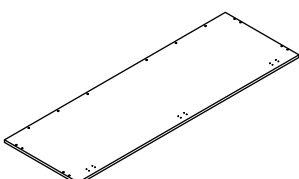
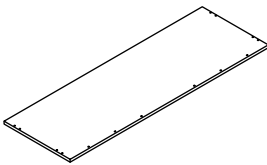
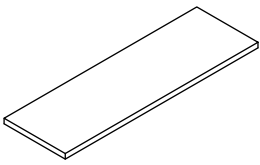
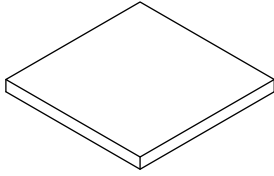
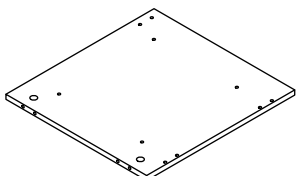
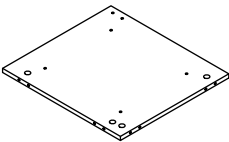
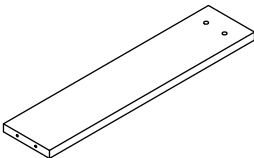
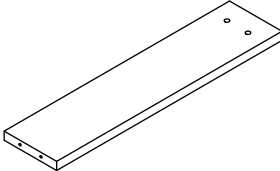
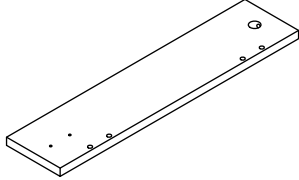
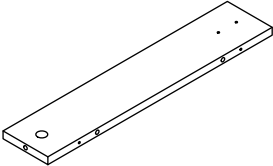


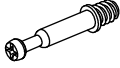


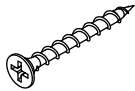

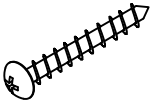
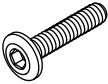
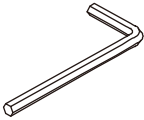
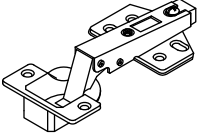

Installation instruction



Parts and Operation Elements

			
① 2pc	② 1pc	③ 2pc	④ 2pc
			
⑤ 1pc	⑥ 1pc	⑦ 2pcs	⑧ 1pc
			
⑨ 1pc	⑩ 2pc	⑪ 1pc	⑫ 1pc
			
⑬ 1pc	⑭ 1pc	⑮ 1pc	⑯ 1pc
			
⑰ 1pc			

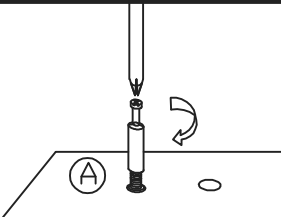

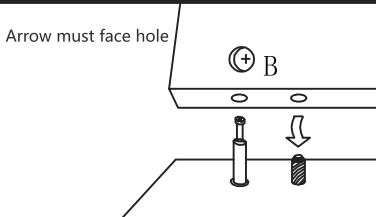
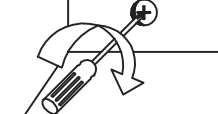
Hardware

 Cam bolt		 Cam Lock		 3.5x12mm screw		 4x35mm screw		 6x30mm Wood dowel	
A	48pcs	B	48pcs	C	36pcs	D	6pcs	E	40pcs
 4x20mm		 M 6x20mm							
F	4pcs	G	8pcs	H	1pcs	J	6pcs	K	12pcs

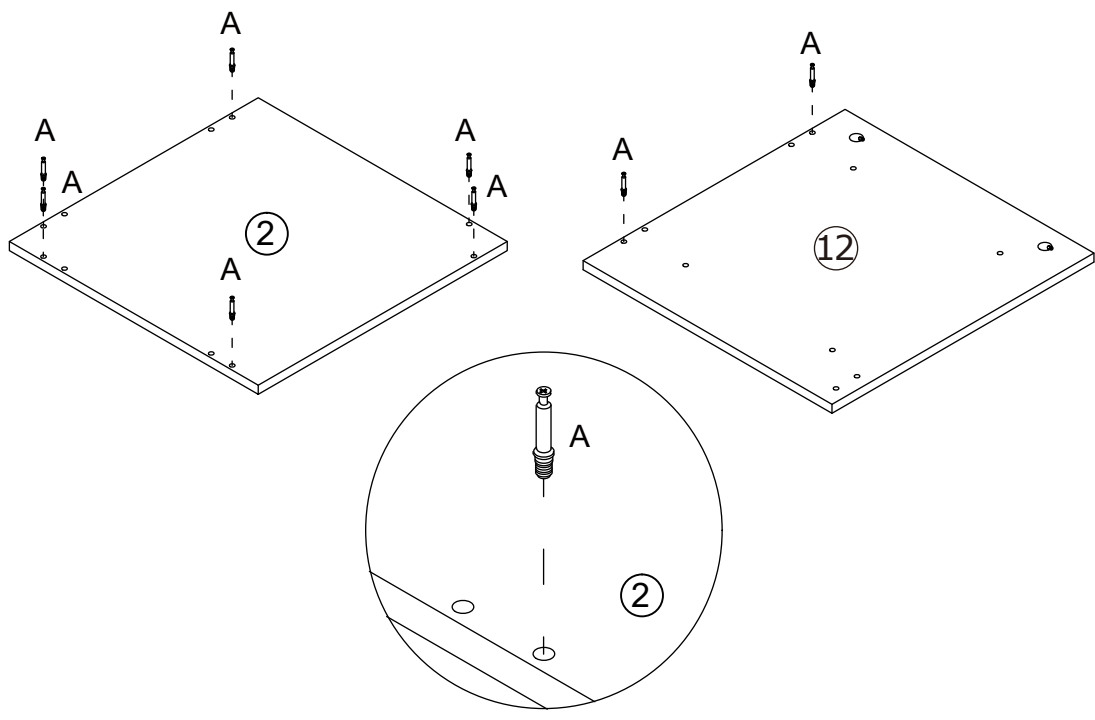
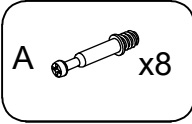


SPARE BAG

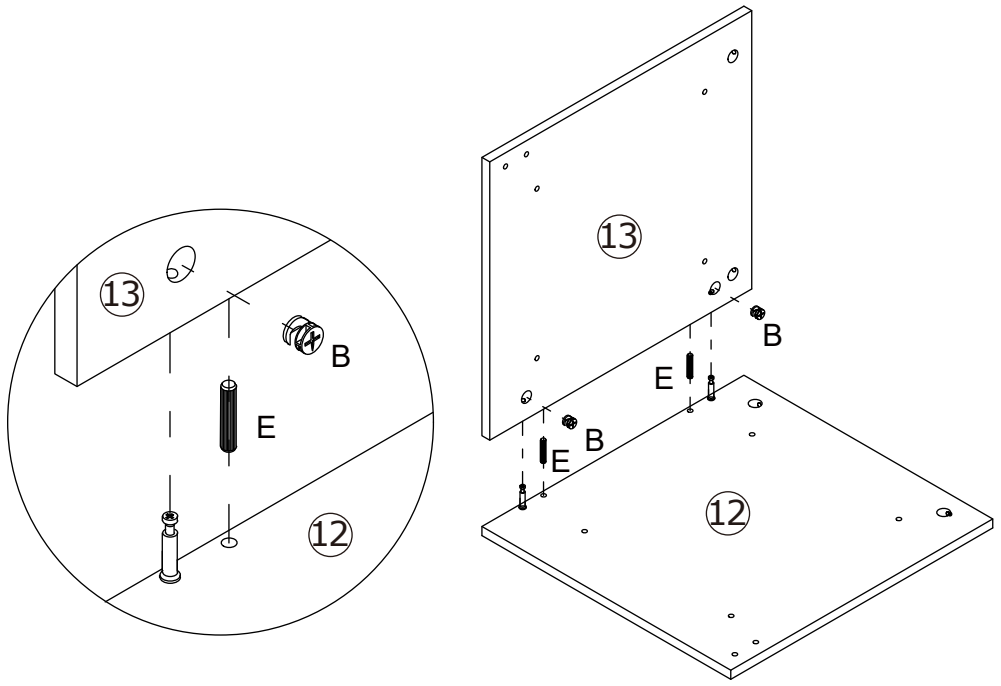
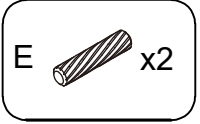
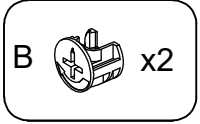
THE SPARE BAG INCLUDED EXTRA HARDWARE FOR DAMAGED OR MISSING SMALL HARDWARE WHILE YOU ARE ASSEMBLING

			
Gently screw cam bolt into the threaded anchor.	Insert the wood dowel halfway into hole.	Arrow must face hole	Screw the camlock firmly into locked position.

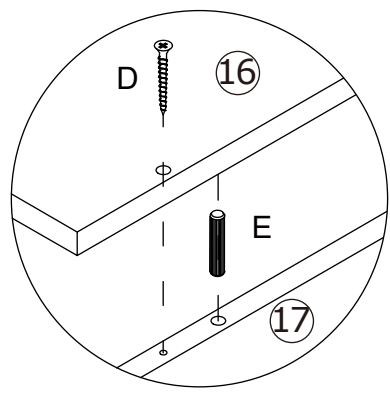
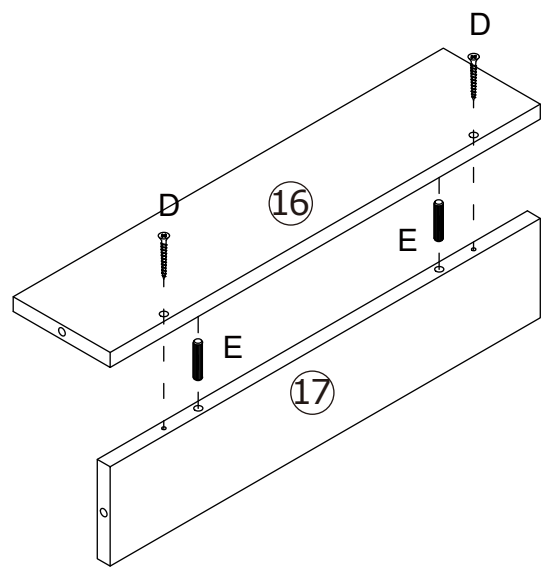
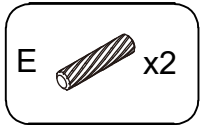
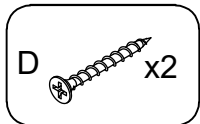
1



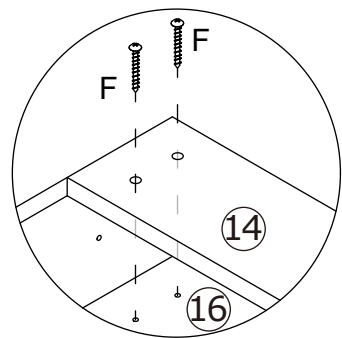
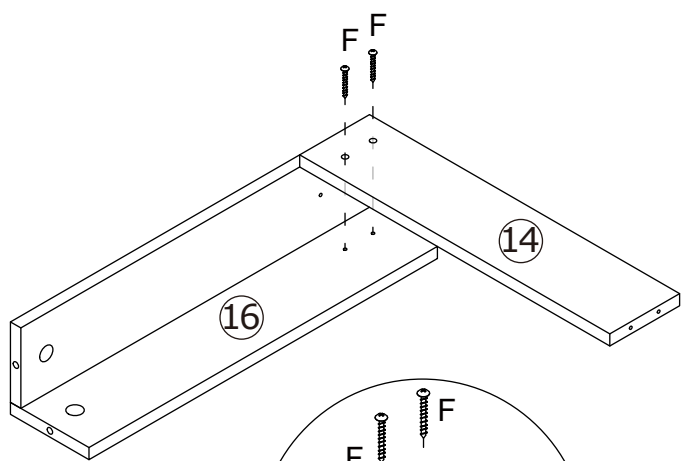
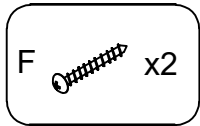
2



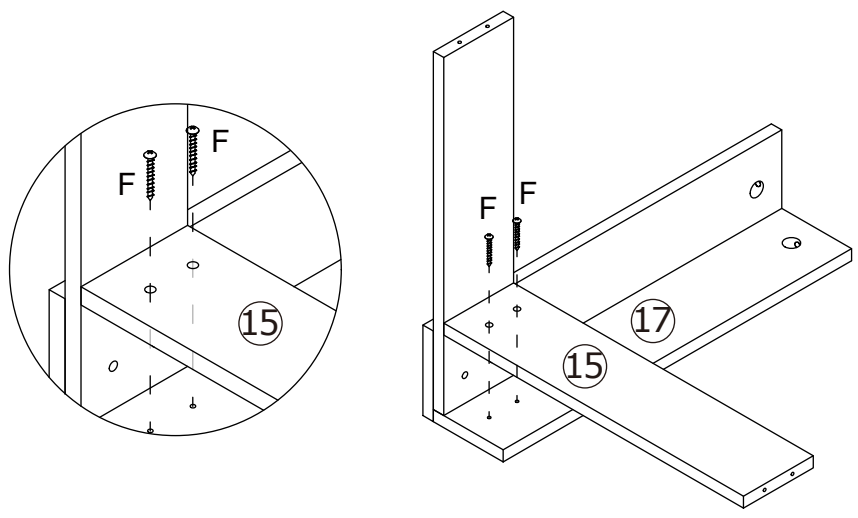
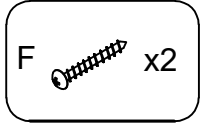
3



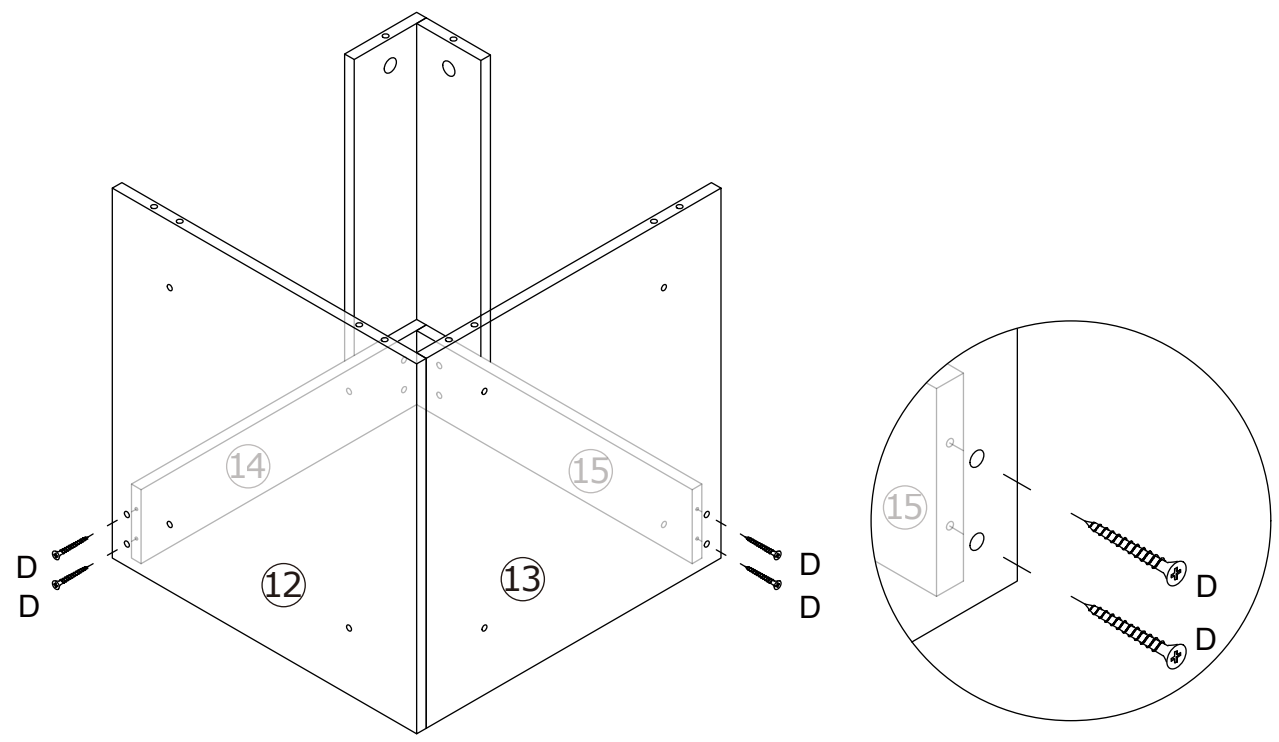
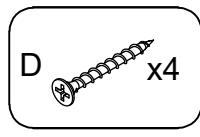
4



5



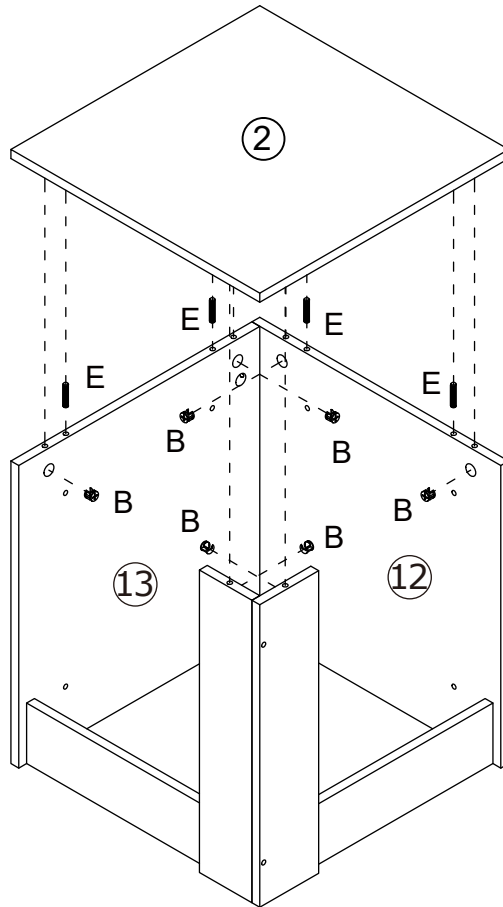
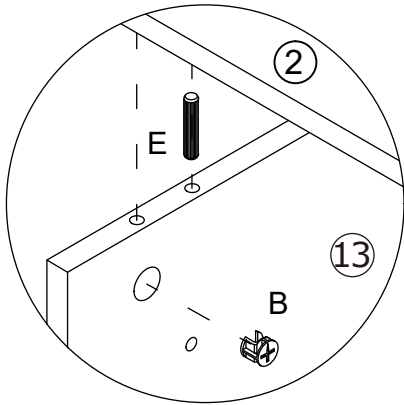
6



7

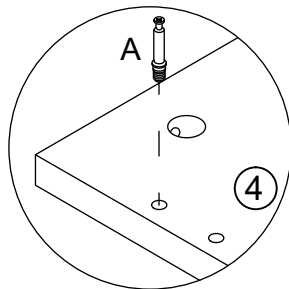
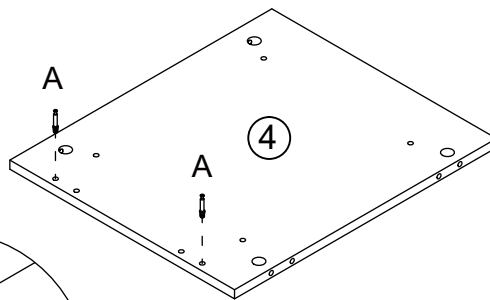
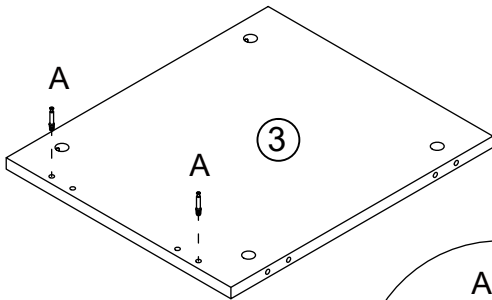
B  x6

E  x4



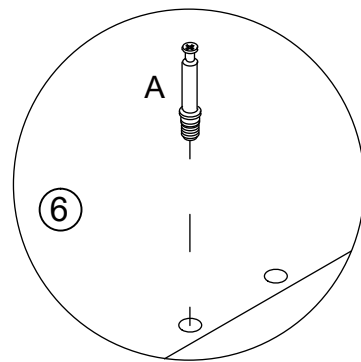
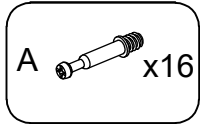
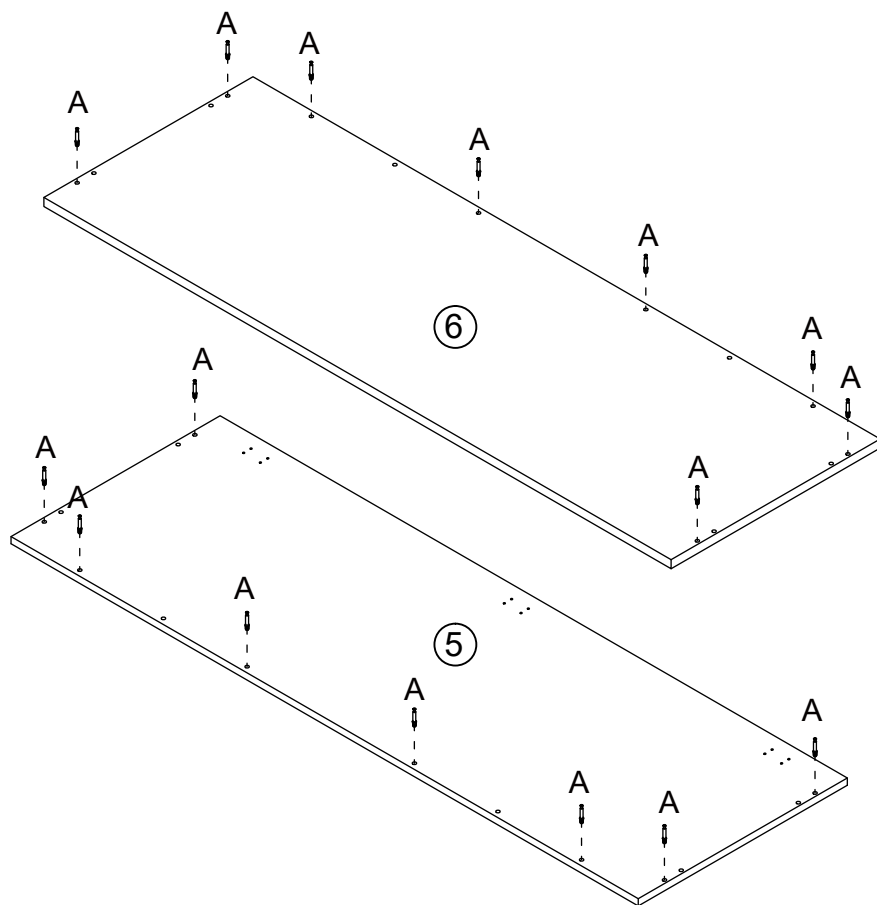
8

A  x8

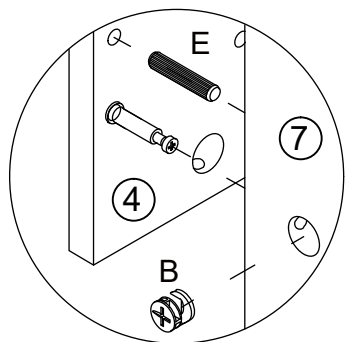
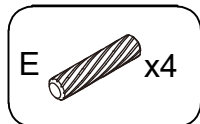
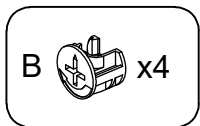
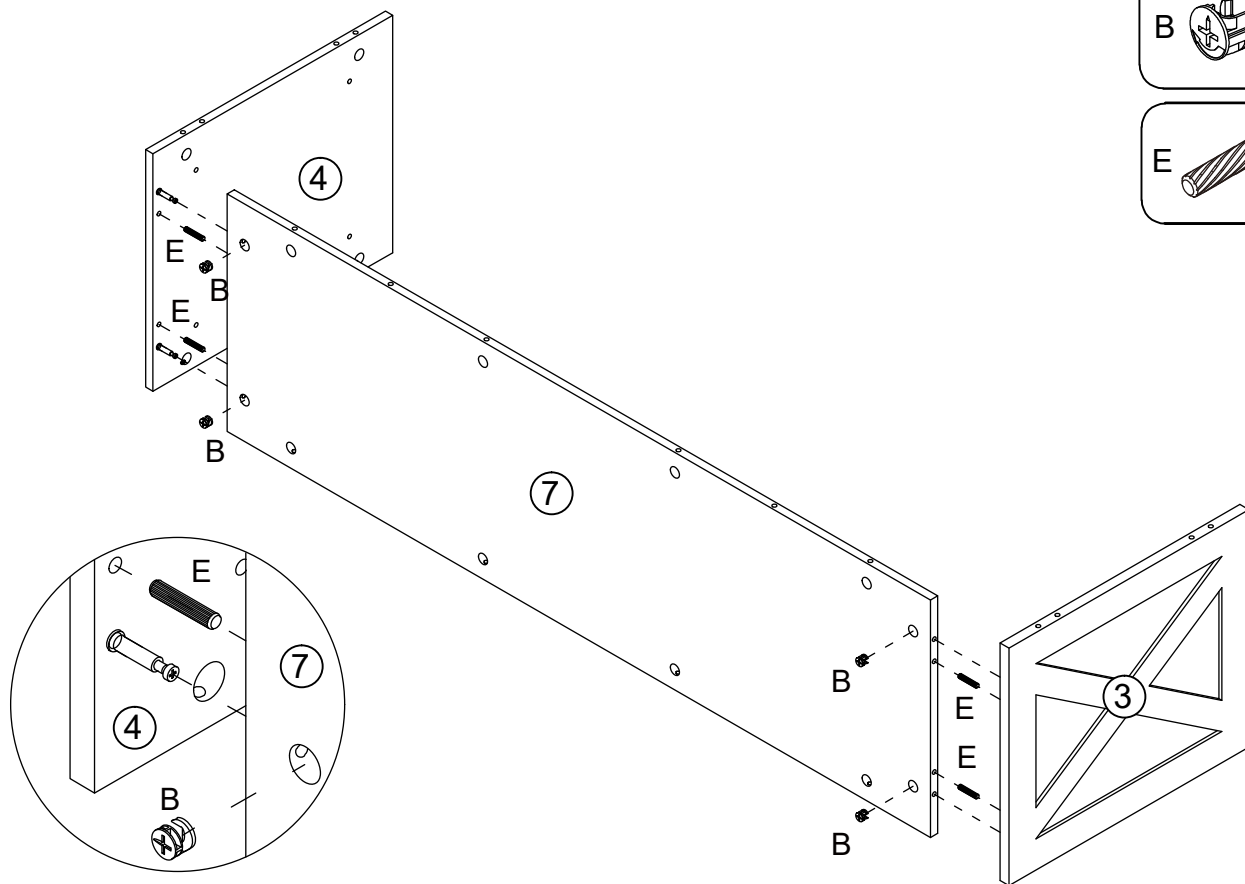


x2

9



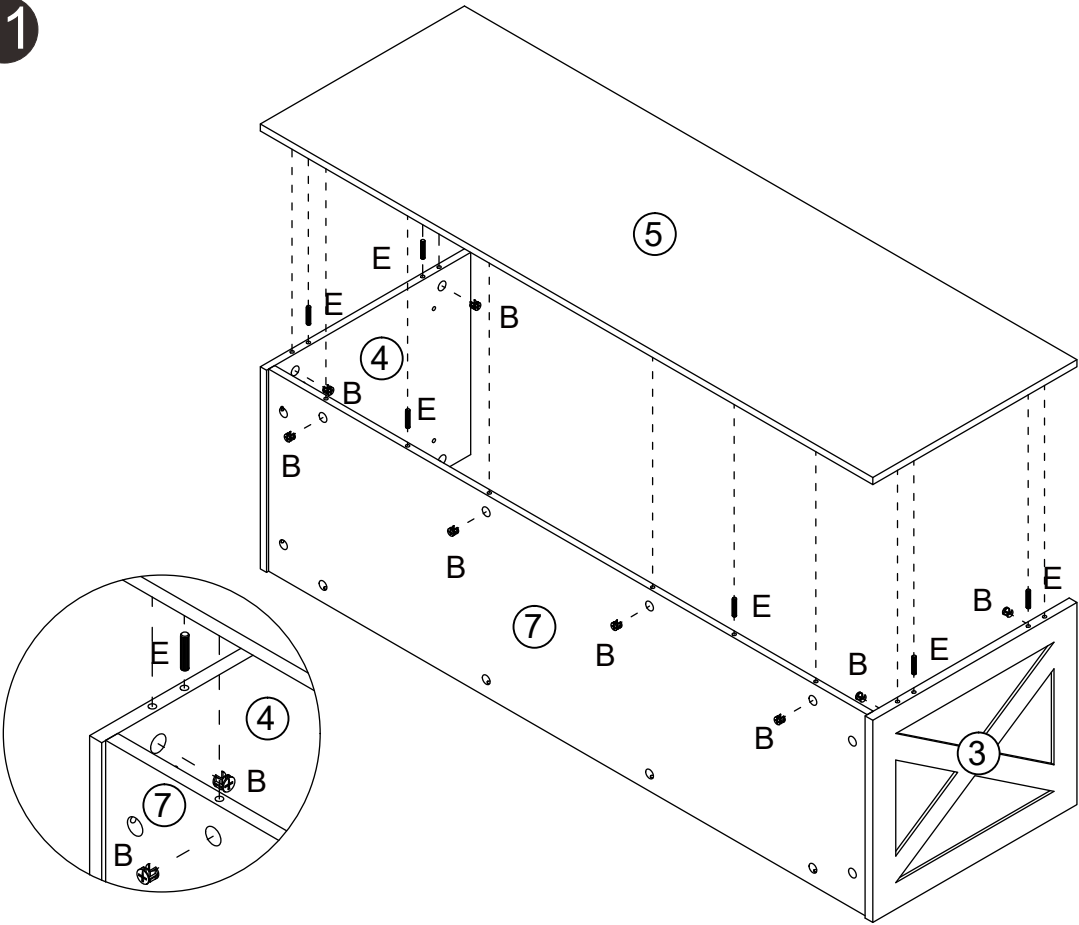
10



11

B  x8

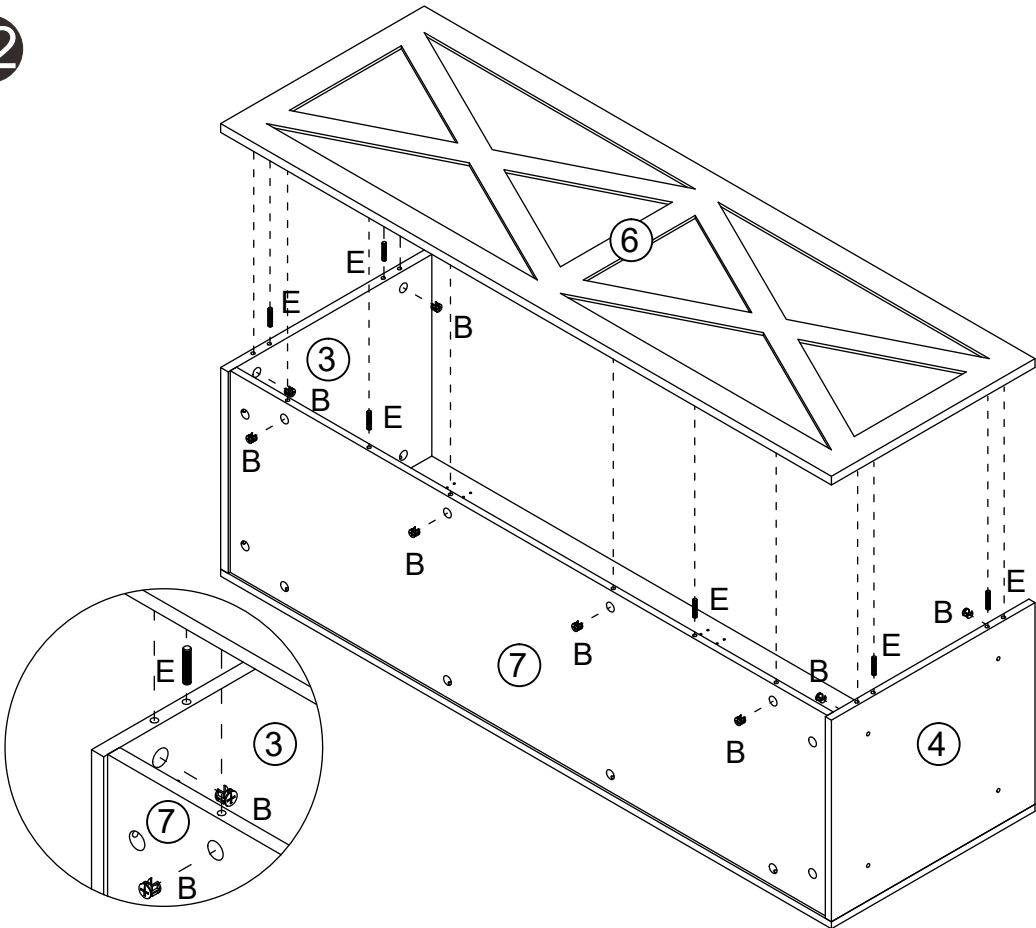
E  x6



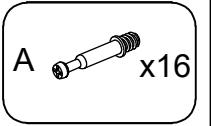
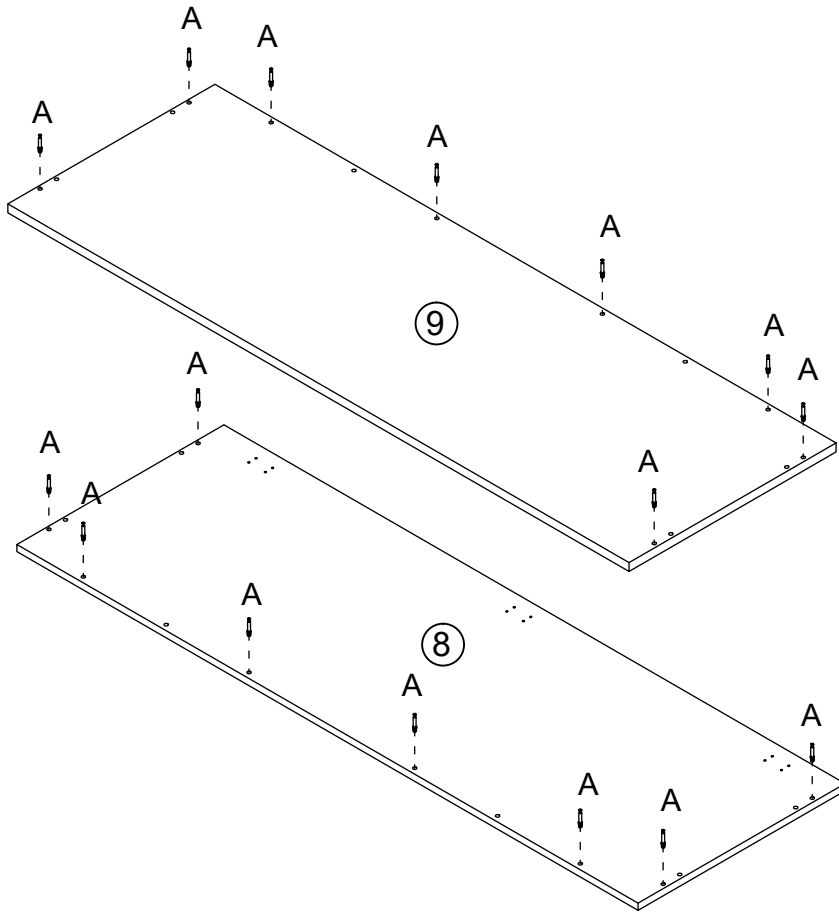
12

B  x8

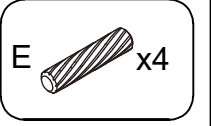
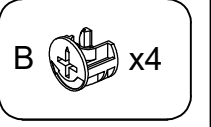
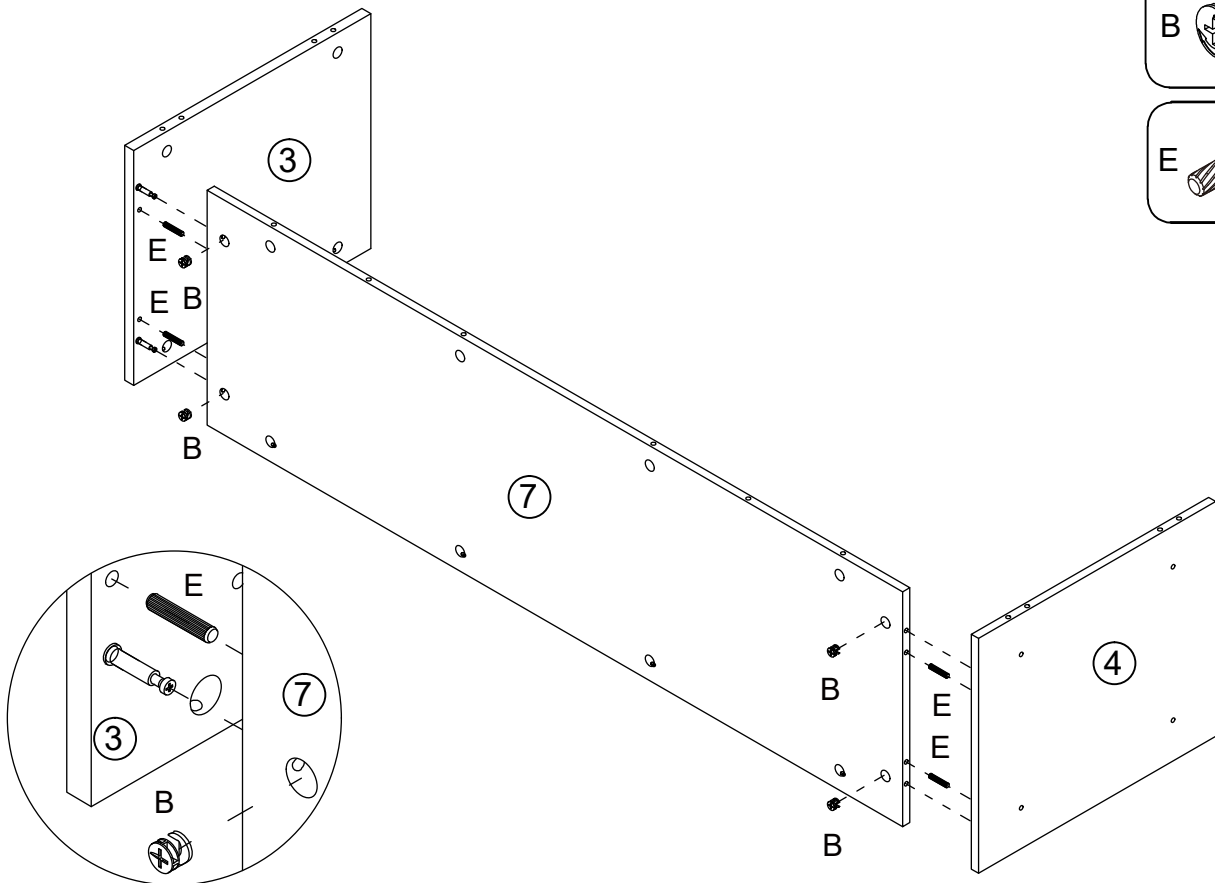
E  x6



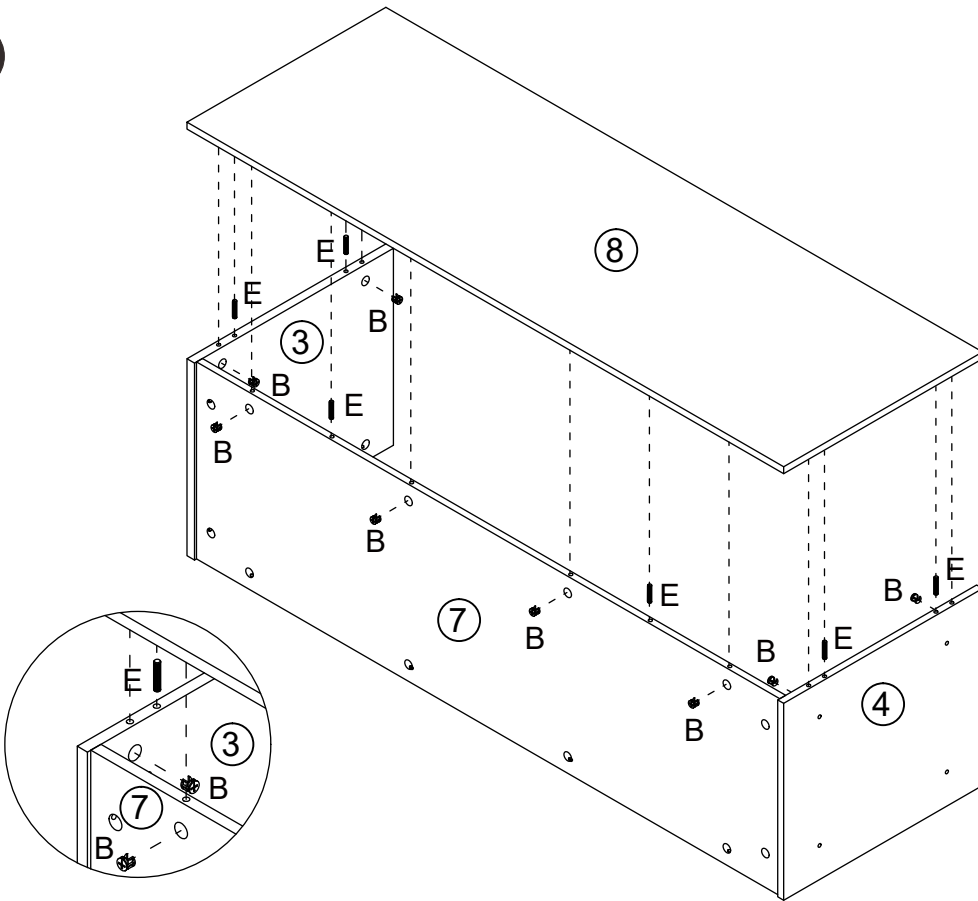
13



14



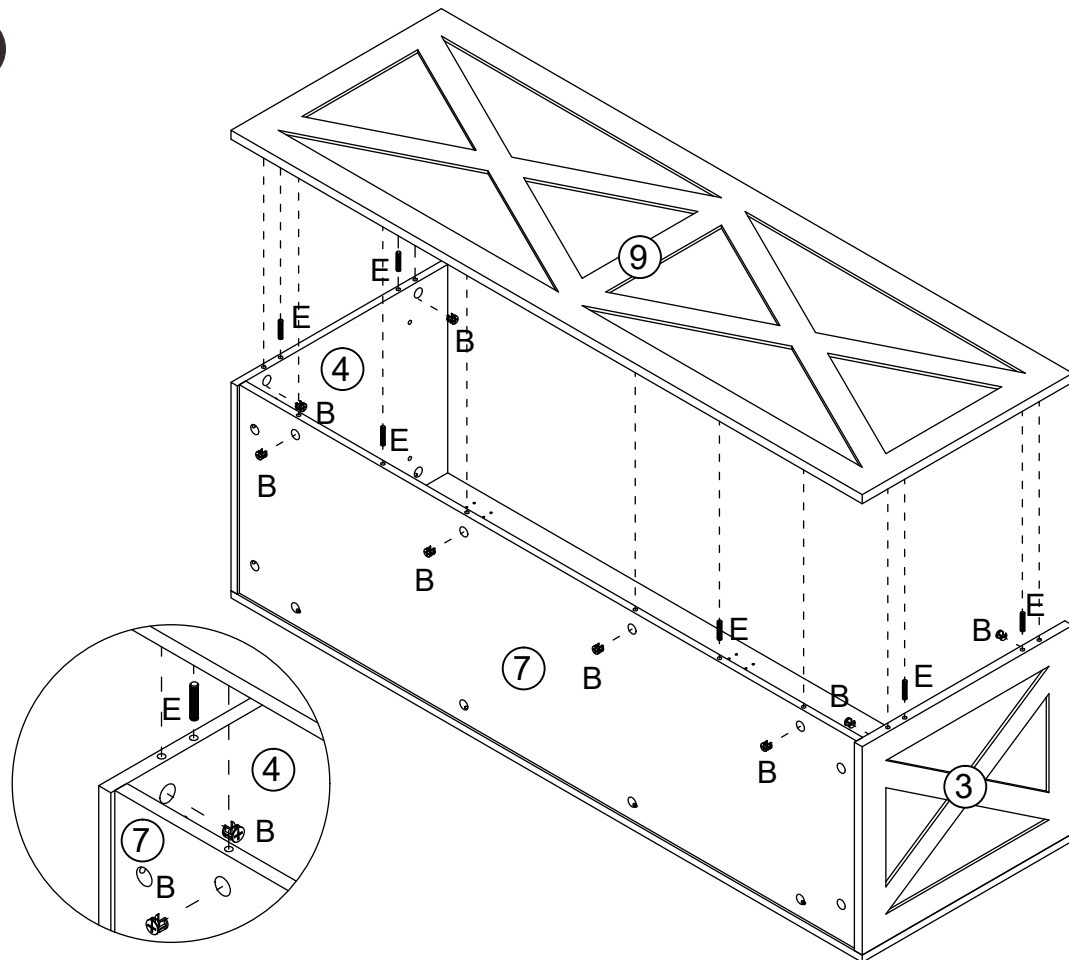
15



B  x8

E  x6

16



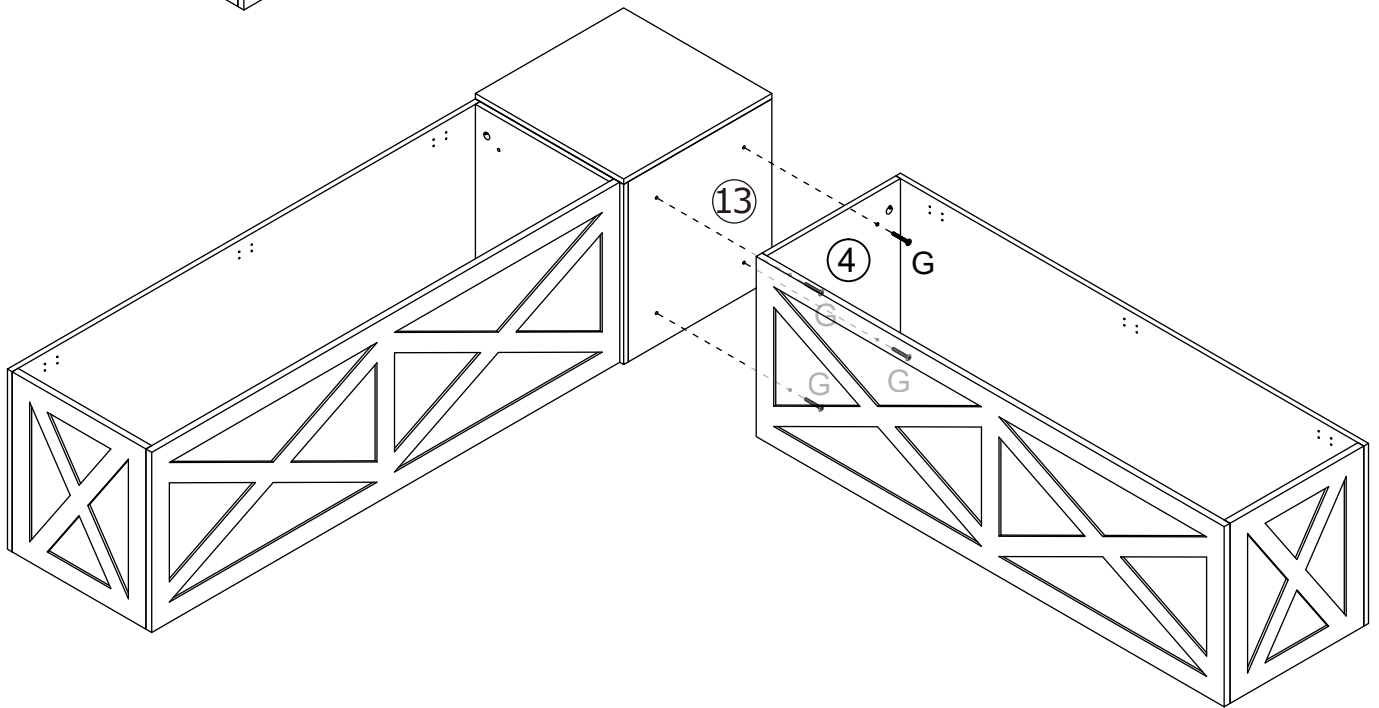
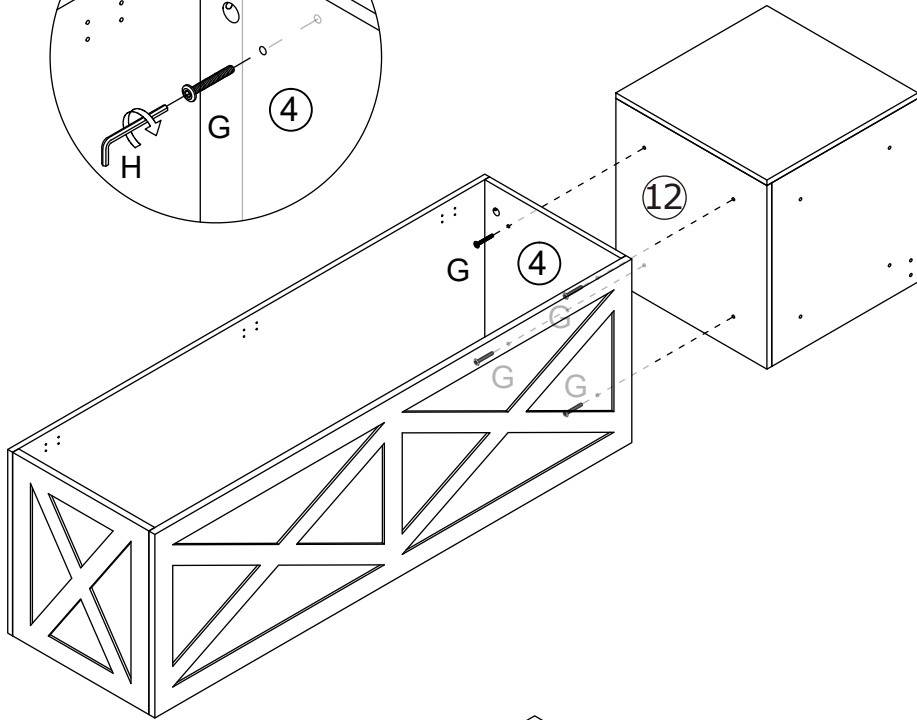
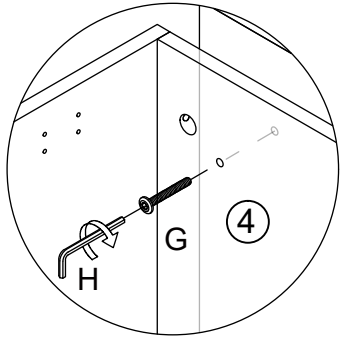
B  x8

E  x6

17

G  x8

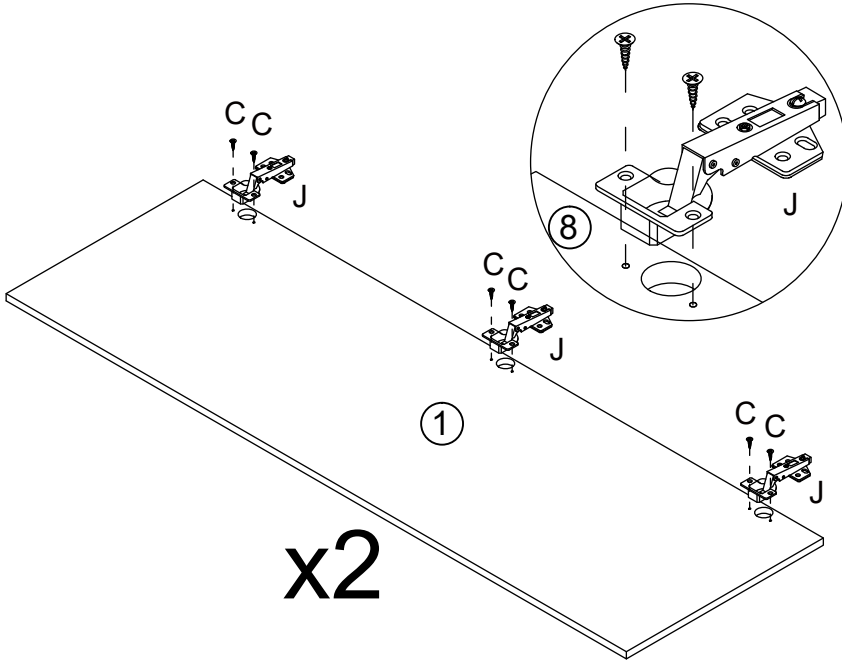
H  x1



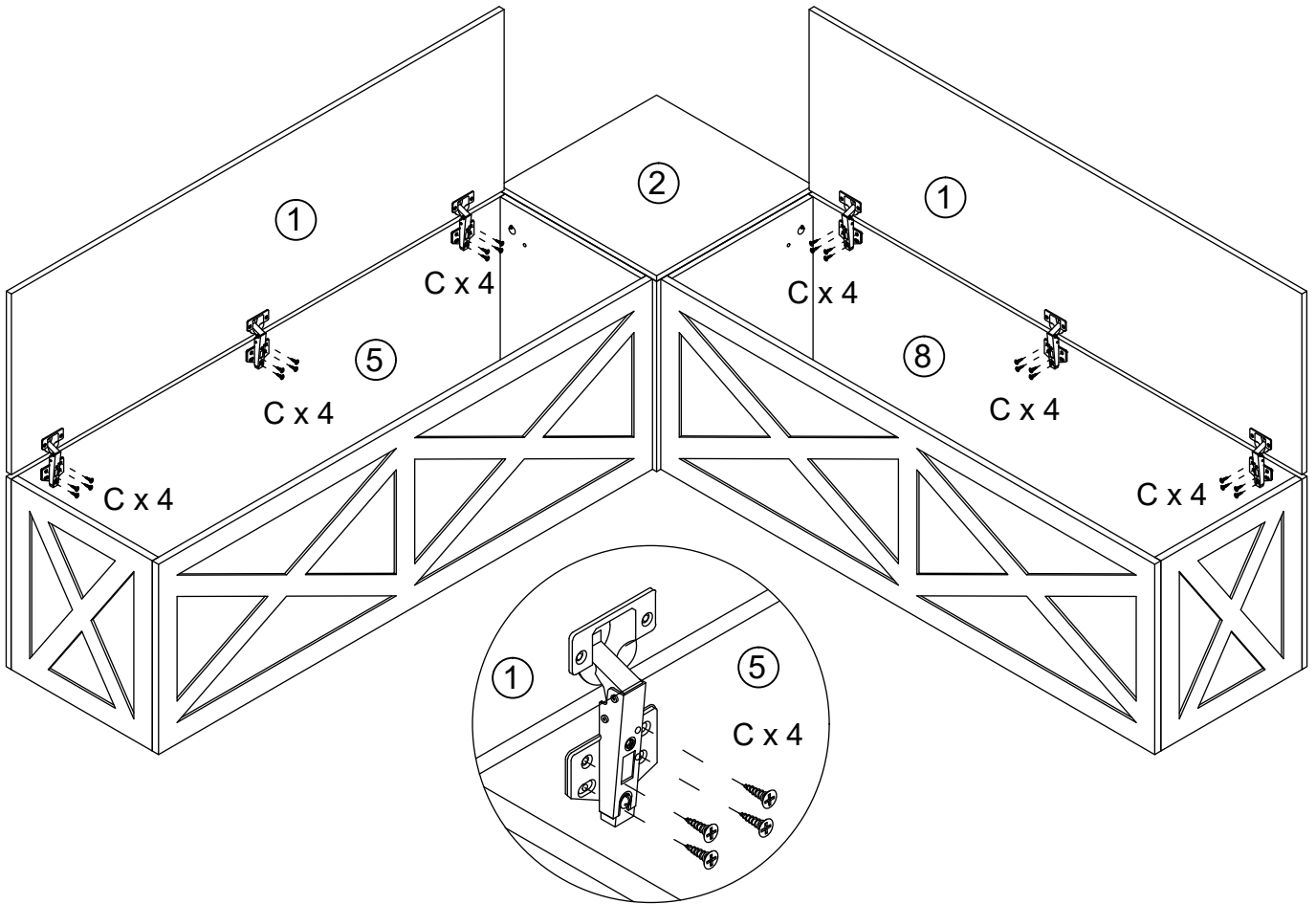
18

C  x36

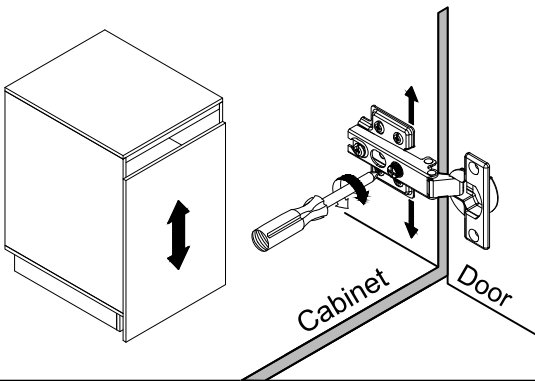
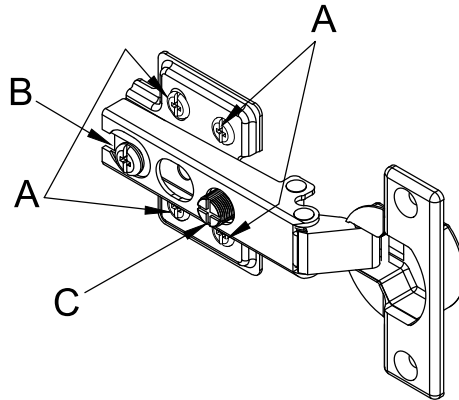
J  x6



x2

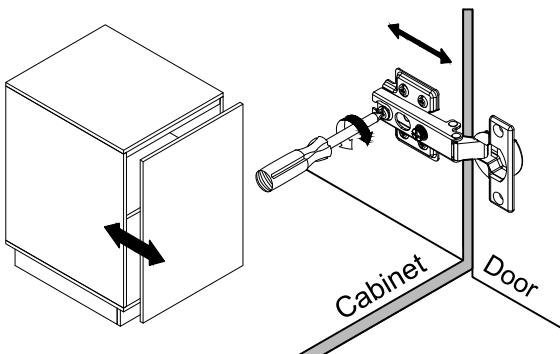


19



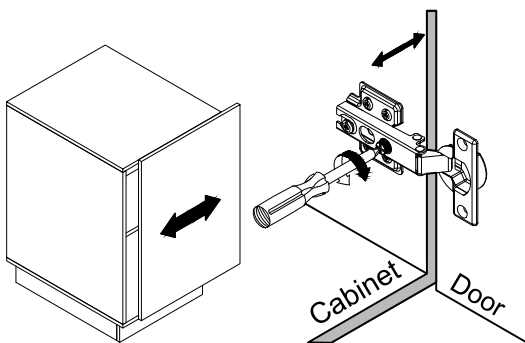
To adjust the vertical height.

Loosen the four screws "A" on both hinges. Two of them are usually in slotted holes which allows you to adjust up or down by a few mm. Then tighten back up.



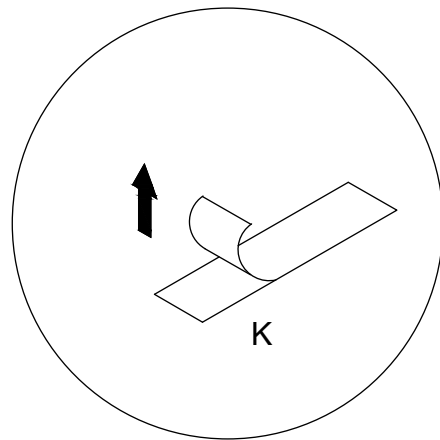
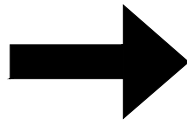
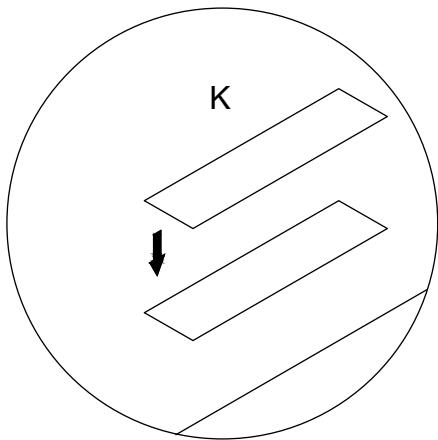
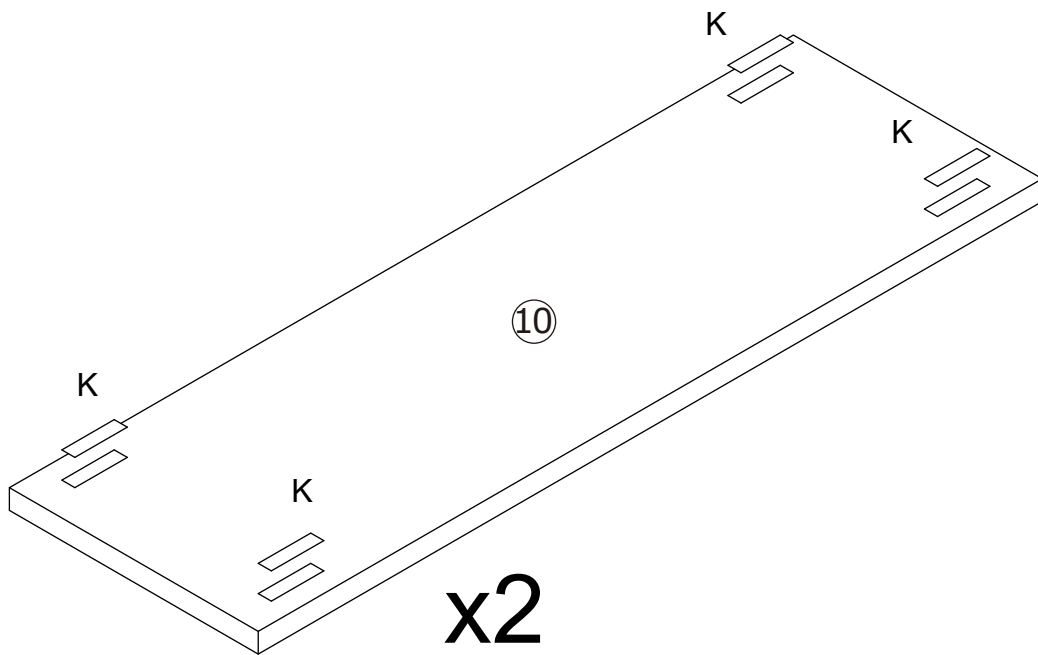
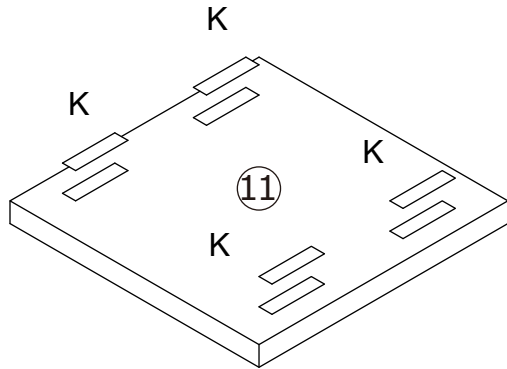
To adjust depth.

Loosen screw "B" and adjust door, if the door can not be adjusted, please loosen screw "C", then try again. Tighten screw "B" and "C".



To adjust side ways.

Turning the screw "C" on BOTH hinges on each door.



21

