



Mobility Bathworks Installation Guide



www.MBTubs.com

Phone # 512-522-2284

E-mail : info@MBTubs.com



Table of Contents

Warranty and Registration	3 - 6
Important Safety Instructions	7
Unpack and Inspect	8
Preparing for Installation	9
Installation of Bath	10
Plumbing Installation	11-13
Installing Faucet System	14-18
Electrical Installation Requirements.....	19
Air Massage System	20
Water Massage System.....	21-22
Final Inspection	23-27
Operation Instructions.....	28-31
Clean and Maintenance.....	32
FAQ	33



Warranty Certificate

Mobility Bathworks Walk in Bath are warranted in accordance with the following warranty :

This warranty is extended to the first purchaser and does not extend to products previously used as display models or products that have been modified or repaired by anyone else but Mobility Bathworks unless approved by Mobility Bathworks . Mobility Bathworks Hi Gloss Gel Coat Tubs are backed by a thirty (30) Year Warranty. Five (5) year warranty on the tub components and Lifetime Warranty on the door seal.

Warranty Limitations :

In the event of a defect in the material or workmanship of a product, defective products will be repaired or replaced. The manufacturer shall not be liable for the expense of removing defective products or installing replacement products or the expense of adjoining components such as tile, marble, wall panels,, ceilings etc. No liability shall exist for incidental or consequential damages caused in whole or part by any defect in this product. No warranty, expressed or implied, including any warranty of merchantability or fitness for a particular purpose, shall apply after the warranty period described above. This warranty does not cover defects or damage caused by the common carrier or installer from, without limitations, any of the following : careless handling , lifting bathtubs by the piping, modification of the product for any reason, improper installation and acts of GOD.

Signature : _____ **Print Name :** _____ **Date :** _____



Warranty Activation Form Part 1 Installer Info

Name : _____

Address : _____ City : _____ State: _____ Zip: _____

Telephone: _____ Email: _____

Upon completing the installation of an Mobility Bathworks walk in tub: the following activation form must be completed , signed by both the customer and installer , and returned to Mobility Bathworks

In order for the warranty to be activated (faxed, scanned or emailed, or hard copy mailed)

To be initialed by the installer(s)

____ Walk in Tub is leveled in all directions and all support legs are touching the ground

____ Walk in Tub is installed on a dedicated 30 Amp GFCI protected circuit using 10 gauge wire

____ Door Seal has been cleaned with rubbing alcohol to remove any dust or debris

____ Hand Shower Functions on all settings without leaking

____ Drain opens and closes properly, and the locking nut has been tightened on stopper

____ All jets and pumps function properly and all connections are water tight

____ All drain fittings have been checked for leaks white the tubs is draining

____ Unit is installed with access to both plumbing and electrical connections



Warranty Activation Part 2 Customer Info

Name : _____

Address : _____ **City :** _____ **State:** _____

Zip: _____

Telephone: _____ **Email:** _____

Model : _____ **Serial #** _____

Purchase Date : _____ **Purchase Price:** _____

Place of Purchase : _____

Contact Name : _____ **Phone #** _____

Upon completing the installation of an Mobility Bathworks walk in tub: the following activation form must be completed , signed by both the customer and installer , and returned to Mobility Bathworks In order for the warranty to be activated (faxed, scanned or emailed, or hard copy mailed)



Warranty and Registration

1. To ensure that your warranty is granted please fill out the product registration form in 30 days and email it to :

info@mbtubs.com

fax to 866-833-2395 or

Mail it to : Mobility Bathworks 308 W Broad St Quakertown, PA 18951

2. By filing out the form the manufacturer will be able to process and warranty claims.

3. The information provided on the product registration form will be kept on file by Mobility Bathworks.



1. Please read through the entire manual completely before beginning installation
2. Contact a licensed & bonded plumber and electrician for installation. The Mobility Bathworks is intended for indoor use only ! Install the tub in accordance with the instructions and parts in the manual.
3. Make sure to have a licensed electrician test all connections to the dedicated line, including GFCI. **RISK IF ELECTRIC SHOCK** : Do not permit electric appliances within 3 feet (1.5 meter) of the tub i.e hair dryers, lamps, phones, radios, televisions etc.
4. To reduce the risk of injury, do not permit children or individuals with disabilities to use this product unless they are supervised by an able-bodied adult at all times. Never drop or insert any objects into any openings.
5. Do not turn on the water jets without water reaching the waterline. The waterline is the point where all jets are covered with water.
6. Do not use the tub in excess of 100.4 Fahrenheit may be harmful to your health.
7. Be aware, hyperthermia is a risk when raising body temperature. Do not keep body submerged in heated bath for extended periods of time. Avoid using the heated bath after strenuous activity.
8. Exercise caution while entering and exiting your walk in tub.



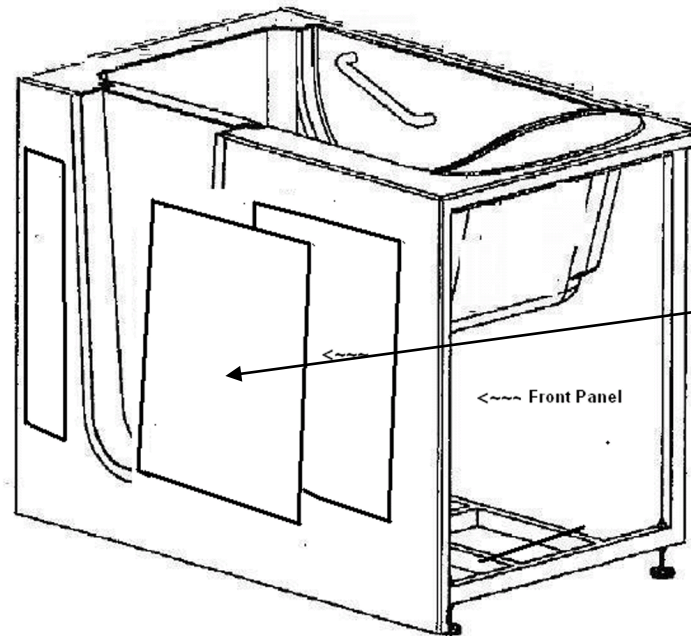
Unpack and Inspect

1. While unpacking your MBTUBS walk in tub inspect the product and packing thoroughly for freight damages. If there are any noticeable damages ** DO NOT ACCEPT the unit from the carrier ** and call us as soon as possible at : 512-522-2284
2. Upon receiving your Mobility Bathworks Walk in Tub, please open immediately and check for any damages : Damages due to delivery must be reported to Mobility Bathworks within 48 hours of receipt. You can report damages by calling 512-522-2284 or emailing us at info@mbtubs.com
3. While unpacking your new walk in tub, care should be used to retain the packaging in case you discover damage through shipping and need to repack the walk in tub and return it to us.
4. Never lift the walk in tub by its plumbing fixtures. Lift the walk in tub only by its stainless steel frame. TWO people are required to move a walk in tub.
5. Inspect the plumbing for any fittings that may have loosened in transit.
6. WARNING !! If the walk in tub door comes shipped with the door closed make sure you leave it open overnight so the gasket becomes fully relaxed.
7. Follow all instructions in this manual. Failure to read and comply with all instructions can result in product damage or injury to both installer and homeowner. It will also result in assumption of all liability to the installer.



Preparing for Installation

Remove access panels that are held on by magnets. Remove these by using the yellow suction cups on the panel and put them in safe place until installation is complete.



Use Suction Cup to
take Off Panel



Place all accessories to the side. Make sure no loose parts are hanging. Lift and carry the bath only by the deck or frame. Protect the bottom of the bath to avoid breaking the jets at the bottom. Only accessories approved by Mobility Bathworks walk in tub should be used with this product.

All Mobility Bathworks walk in tubs are tested and operating in our factory prior to shipment. Transportation and/or mishandling may cause leaks. Testing the walk in tub while you have access to all sides is important !! Only after all of the water and electrical testing is completed, and all fixtures have been checked, the tub should be installed to the surround wall or walls. Place the Walk in Tub on a flat surface where the water can be drained. With a clean rag, clean the door seal on your Walk in Tub to remove any debris left from the manufacturing process.



Installation of Bath

1. Remove the existing tub and the wall and floor materials as required.
2. Clean area of any debris or trash.
3. Use 4 Foot level and determine if the floor is level. If the floor is not level adjust all leveling feet to perfect level the tub.
4. Make sure you level the Walk in Tub from the highest elevation point on the floor.

Leveling Legs



5. All leveling legs of the walk in tub must be resting on the floor evenly supporting the weight of the bathtub, in order for the door to work properly without leaks.
6. Start by adjusting the outside legs and make sure they are level. Continue to adjust the legs by adjusting the 2 (two) in the center of your walk in tub. Rough in your plumbing options before leveling, as some options may cause clearance issues underneath the tub.



Plumbing Installation

1. Dry fit the plumbing before final assembly to make sure that the pipe lengths are correct and there is proper clearance throughout.
2. Make sure the hole around the drain is leveled under the tub. If not sand down with sandpaper.
3. Assemble kit as shown. Check your local plumbing codes to insure that proper fixatives (glue) are used.
4. Tighten down the nuts.
5. Install Overflow elbow with gasket. Secure to the tub with retaining plate and nut, install cover plate and secure with set screw.
6. Install a pipe section so that the door drain tube is located on the horizontal center line.
7. Install the waste elbow with actuator gasket. Secure to the bath with strainer plate and nut.

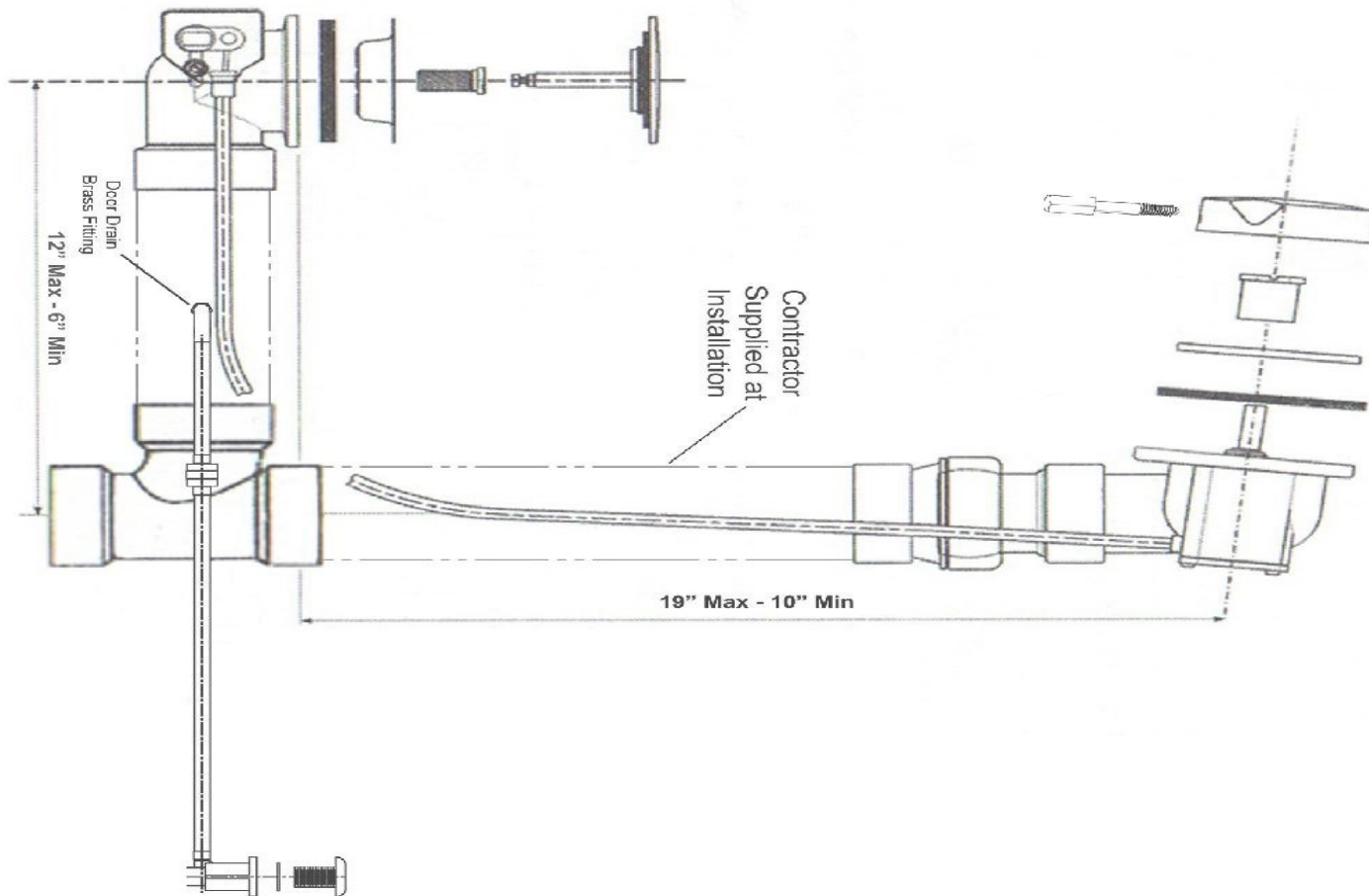
Caution :

8. Be sure to adjust the stopper height to allow proper drain function. Test for proper drain function before continuing. Once the drain is effectively draining at the desired height, tighten the **screw** on top of the strainer to secure drain cap height.





Overflow Plumbing Diagram





Overflow Plumbing Diagram

1. Dry fit the PVC pipe prior to final assembly to ensure the lengths are correct. Orient Tee as shown.
2. Glue fittings using appropriate cement and primer as required by local codes
3. Mount the 4 ear washer gasket on the overflow behind the tub. Place silicone or plumbing putty between gasket between bathtub and bath show elbow under side of tub.
4. Place a thin bead of silicone caulking around the strainer piece and place it in the tub outlet. Draw the strainer against the bath shoe with the strainer retainer screw. Do not over tighten or damage can occur.
5. Place the overflow nut through the overflow plate and draw the flex head against the tub by tightening the nut. Do not over tighten or damage can occur.
6. Slide overflow plate onto stem extending from the flex head assembly. Tighten lever for handle into groove in stem to hold handle in place.
7. Adjust stopper height with the adjustment screw and holding the screw height in place with the stopper lock nut.



Installing Faucet System

1. To install the faucet set, begin by using masking tape on the fiberglass surface over the area to be marked-off and drilled.
2. Mark the position of the holes for the faucets / taps onto the taped off area. Be sure that your piping will not be obstructed by the walk in tub stainless steel framework or any other obstacle.

Remember : Measure twice and cut once.

3. To cut the holes use a coring bit. Using the tape to help with a clean cut, drill through the surface.
4. Connect the hot and cold water supply lines with a 3/4" water heated type flex hose adapter with a female connector.

Caution: Be sure the flex hose has rubber washers on both ends

In a case where the plumbing is not on the same side as it is on your Mobility Bathworks walk in tub, the plumbing may run underneath the walk in tub.



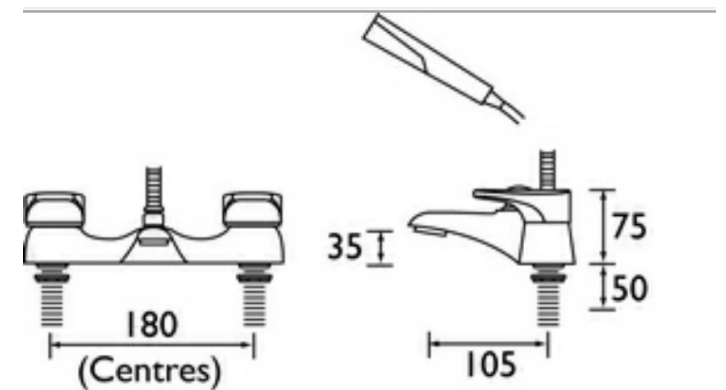
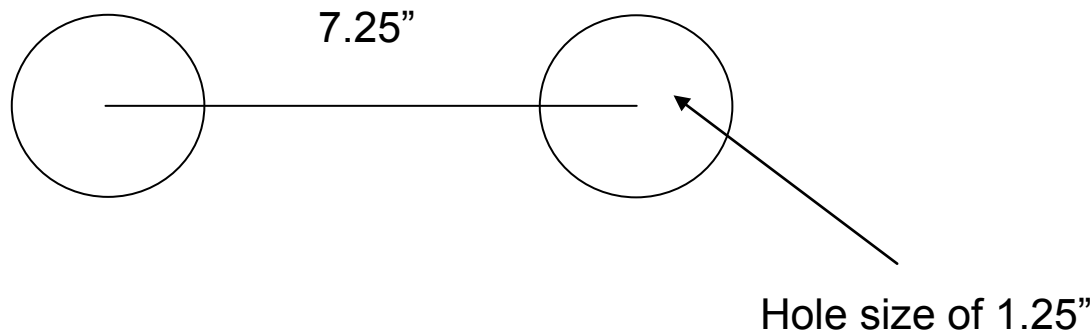
Faucet Options

Mobility Bathworks Gel Coat Walk in Tubs comes with one of two types of faucets .

1. One Piece Chrome Finish Bristan Faucet
2. 5 Piece Roman Faucet in Chrome Finish



- Full body brass sprout
- Hand Shower with pull out hose
- Diverter for sprout and hand shower
- Hot and Cold Water control valves



1500mm HOSE, RUB CLEAN
HANDSET & WALL BRACKET



Huntington Brass 5 Piece Roman Faucet



SPECIFICATION / BREAK DOWN

5pc Roman Tub Filler HB9937P

Description

- 8" - 16" Roman Tub Filler
- Solid brass spout
- ceramic disc cartridges
- Quick connect spout installation
- NPS connections
- 18 GPM (average) @ 60 PSI

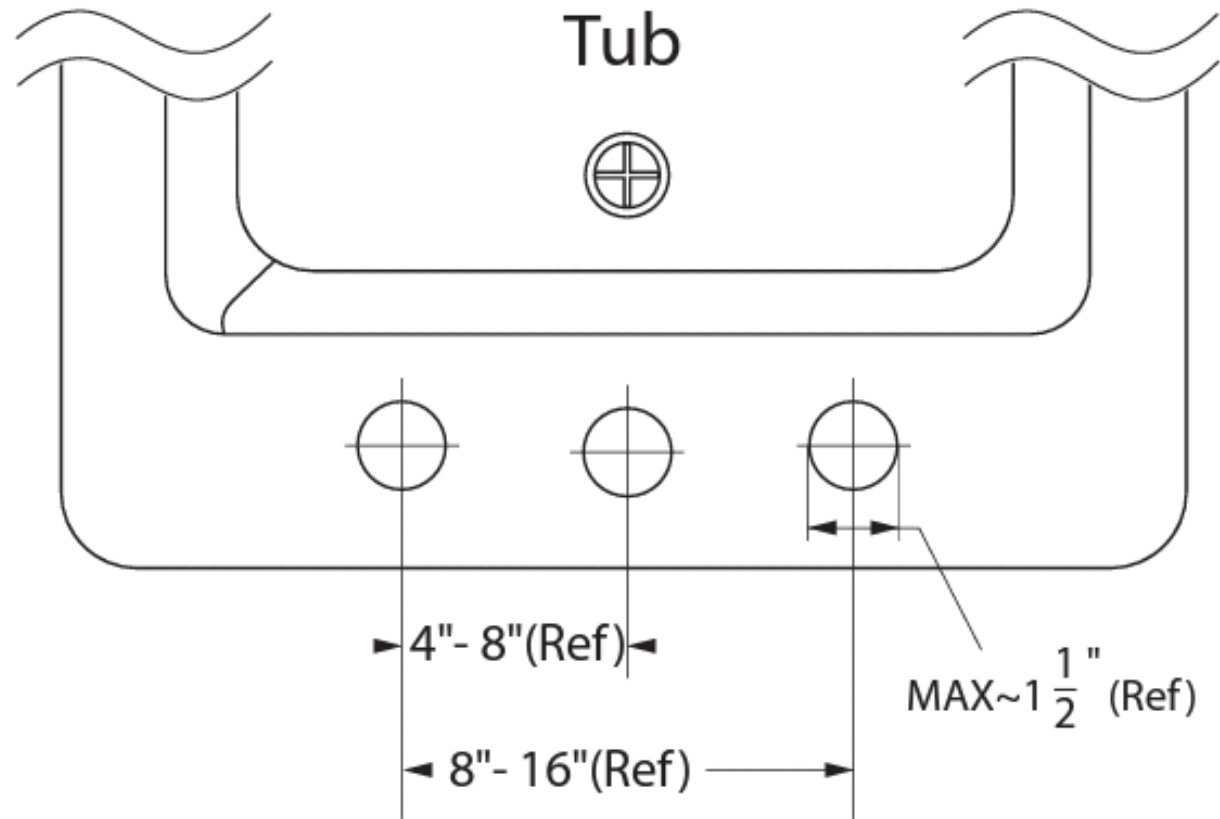
Standards

- ASME A112.18.1 Compliant
- Listed IAPMO / UPC & cUPC
- ADA Accessibility Guidelines for Buildings and Facilities - 4.27.4 Controls and Mechanisms





Huntington Brass 5 Piece Roman Faucet

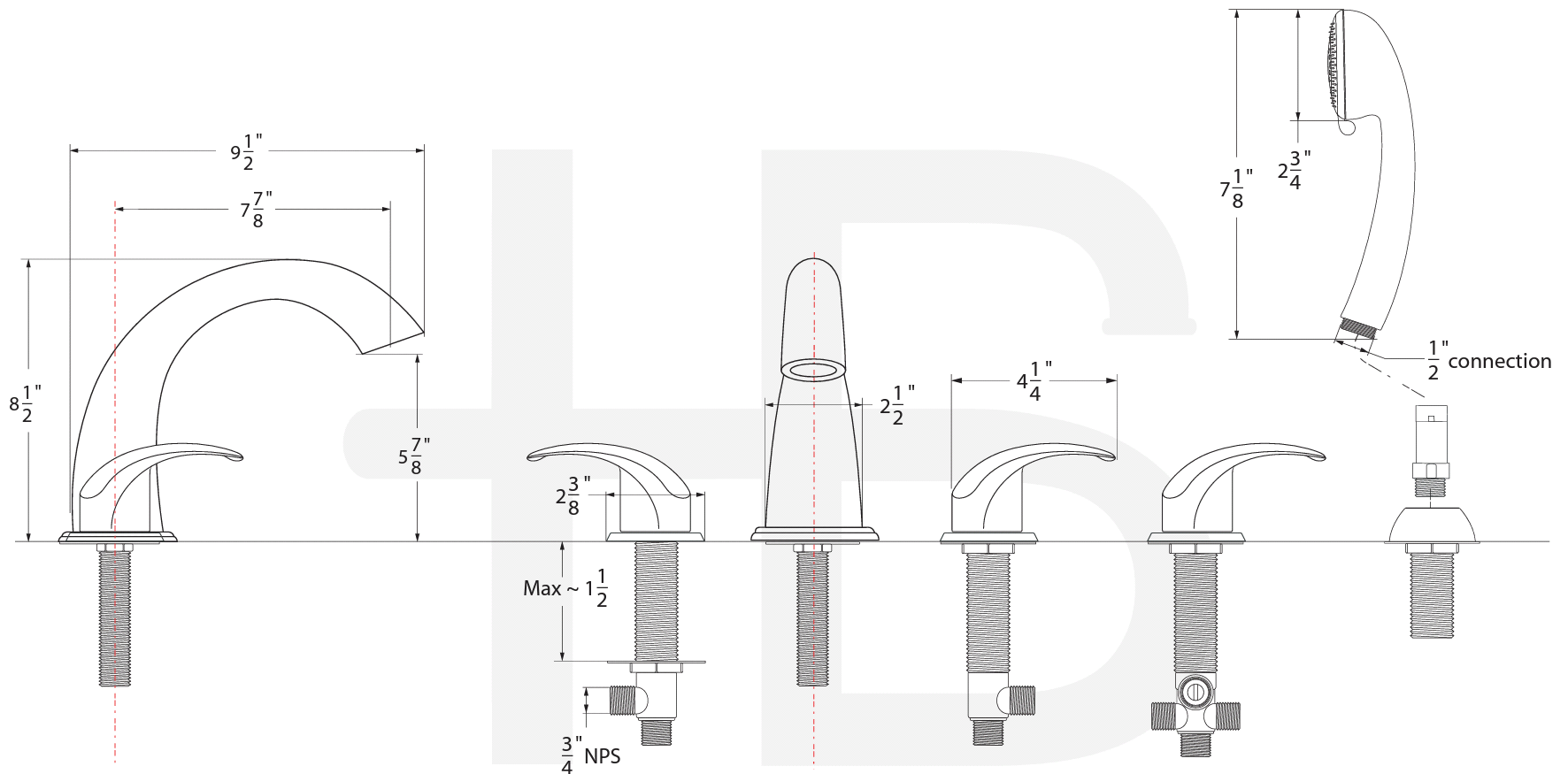




Huntington Brass 5 Piece Roman Faucet

Make sure to fill out Huntington Brass Warranty and Send to : **HB Faucets** 11100 Dana Circle

Cypress, CA 90630





Electrical Installation Requirements

Installation of electrical components must be done by a licensed electrician.

Important : All units need a NEMA plug to be plugged into a GFCI outlet that is connected to a separate circuit with a 20 AMP breaker run directly from breaker panel box.

***** Warning ***** If the GFCI fails to operate, there is ground current flowing, indicating the possibility of electrical shock. Do not use your walk in tub until a repairman has addressed the fault.

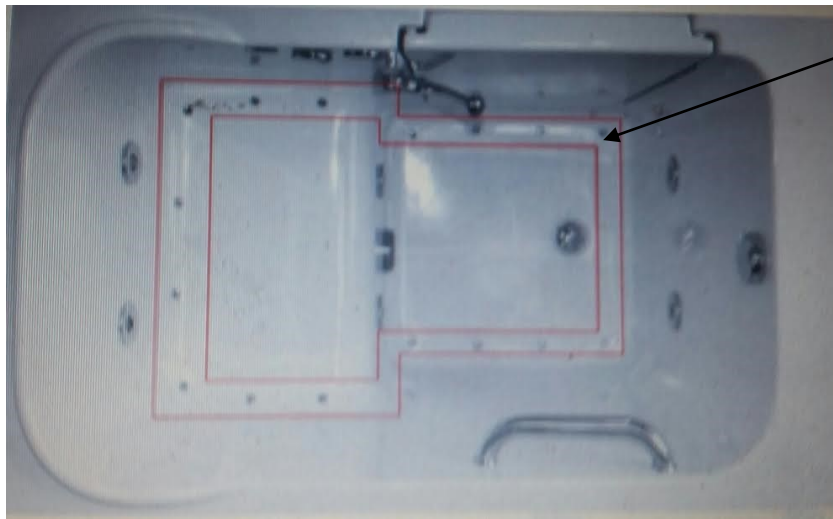
Before making any electrical connections, make certain that the electrical connection is turned OFF at the breaker. Take precaution so as the breaker is not switched accidentally during installation process.

All units with plug in motors and or heaters must be connected to a (GFCI) Ground Fault Circuit Interrupter. This should be tested on a regular basis.

To test the GFCI, push the test button. Upon testing the GFCI should interrupt the power. Push the reset button to restore power.

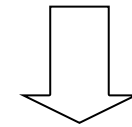


Air Massage System



Air Jets

- Push Once for ' High '
- Push Twice for ' Medium '
- Push Three Times for ' Low '
- Push Again for ' OFF '



Features :

- 3 Speed Air Switch; High, Medium and Low
- 20 Minute Timer
- 500 Watt Air Blower Motor
- 300 Watt Ceramic Air Heater Included
- 1 Minute Purge Cycle 20 Minutes after the system has been turned off
- Specially designed for a quieter performance
- CSA, CSA-US, UL Approved Specs 120 Volts / 5.5 Amps



Water Massage System

Waterways Pumps Specs : 5.5 amp water pump with nema cord and air switch

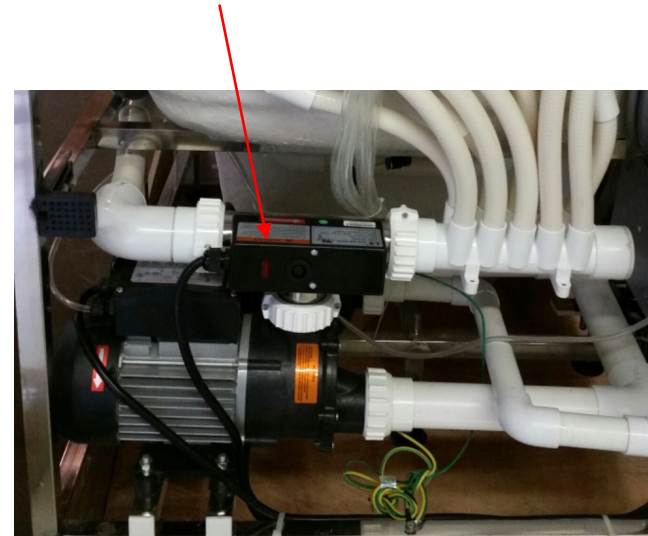


Heating Whirlpool Systems Options

Friction Heater heats up the water



Hydro-Quip 120 Volts / 12 AMP Inline Heater





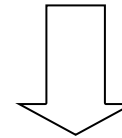
Water Massage System



Water Jet System

Push Once for ' ON '

Push Twice for ' OFF '



Air Massage
On/ Off



Water Jet Pressure Control Valve

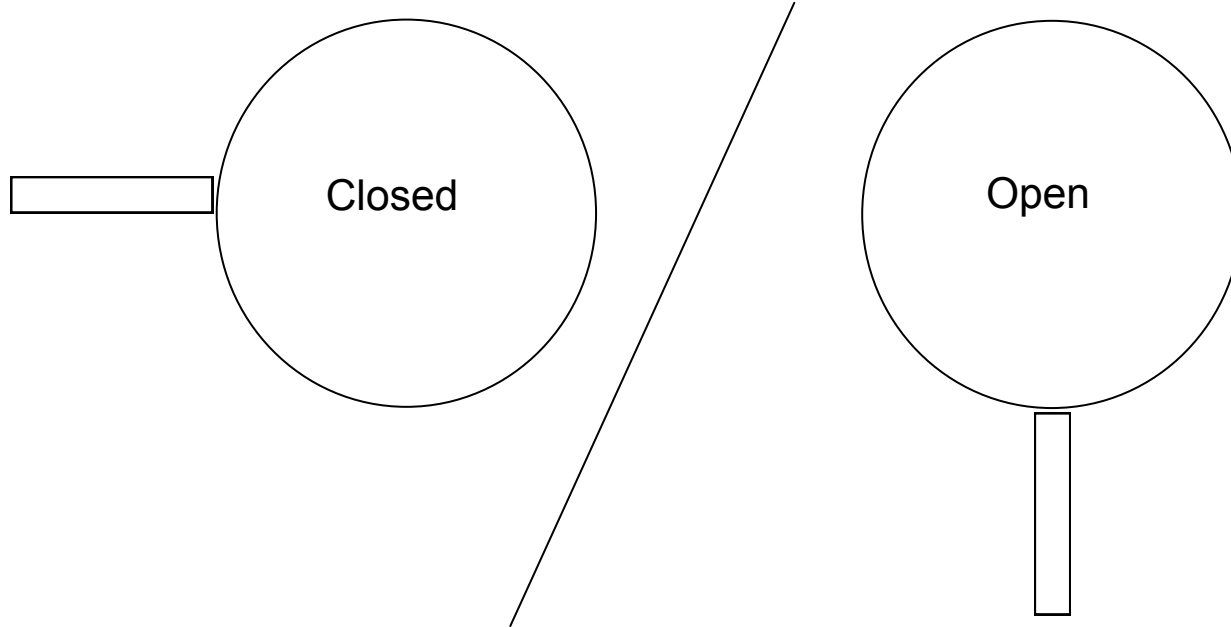


Final Inspection

After both the electrical and plumbing installation are done, a final inspection of these parts needs to be completed before finishing the installation.

Close the drain and fill the walk in tub until it is up to a normal water height level which is 1" to 2" below the overflow and drain lever.

Overflow and Drain Lever



Allow the water to stand in Walk in Tub for 30 minutes and then inspect all plumbing and seats for leaks. If there are any leaks or concerns call 512-522-2284 (BATH)

If the Walk in Tub is jetted, supply electricity to unit and run for 10 minutes then inspect for leaks.



Final Inspection

Inspect the unions around the pump; if leaks persist from the unions after tightening: loosen the unions and insure that the O-ring is seated properly.

If the pumps do not operate check the breaker to insure power is on and the cable connection to the controls to the pump is attached. If that doesn't work make sure all clear hoses are securely placed in the nipple of the air button and pump.

Ensure all jets are opening and working. Make sure they operate at all speeds.

Before filling your Mobility Bathworks walk in tub with water, be sure to wipe down the door seal and the surrounding surface of the door jam. Use a damp washcloth to remove any debris, construction dust and oils that may prevent the seal from working properly.

Fill your Mobility Bathworks walk in tub with water. After at least 5 minutes check the installation for leaks along the door seam and plumbing connections.

If applicable, turn on the pump and or blower, let it run for at least 5 minutes. Check again for leaks while the equipment is still running. Check by hand by feeling around the air jets, water jets and intake where visual inspection are not possible.



Finishing Installation

An extension box is used to extend the length of your Mobility Bathworks to a 60" Length. Some installations require trimming the extension panel. Cutting the extension pieces should be done with reciprocation saw: a progressive blade is best or a bi metal blade will work as well.

Measure the distance between the wall and the walk in tub by the three corners and at the middle of each length so as to detect any variance in the shape of the wall.

Remember : make sure your measurement are correct before making final cut.

Extension Box



Insert (4) Clips and (4) Screws



Place Top Piece over the Groove





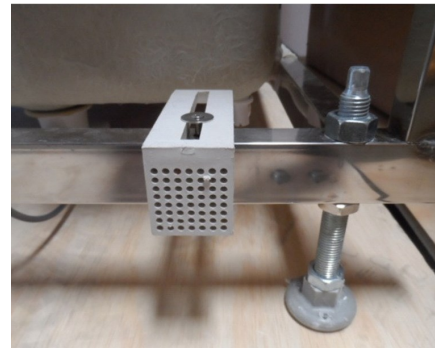
Optional End Panel



Drill hole on the frame and install the hardware as shown in the picture.



Screw with spring on the left and right upper part of stainless frame.



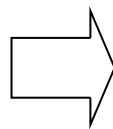
Screw with bracket on the bottom part stainless frame. Adjust the bracket to fit end panel.



Optional End Panel



Drill Holes on the end panel for the screw. Adjust the hole to install the screw with the bracket on the stainless steel frame.



Install the cap on the screw.



Operating Instructions

1. Entering Your Mobility Bathworks Walk in Tub

Enter your Walk in Tub then close and seal the door by pulling the handle toward you, into locked position.

Warning : The Walk in Tub door handle is put together with the strongest material available, but it's **NOT A GRAB BAR**. It will not withstand a person putting their entire weight against it while either trying to pull themselves up out of the bath or using excessive force closing the door. If misused in either of the two ways the bottom of the handle will ultimately break away from its mount. The handle is designed as a closing mechanism and nothing more. Misuse of the handle will not be covered by the warranty.



Basic J Walk in Tub Handle : Push forward to close the door and pull back to open the door.



Bi-Fold Walk in Tub handle : Fold the bi fold door and make sure the door fits in between the two brackets on the walk in tub. And then close the lever towards the door.



Operating Instructions



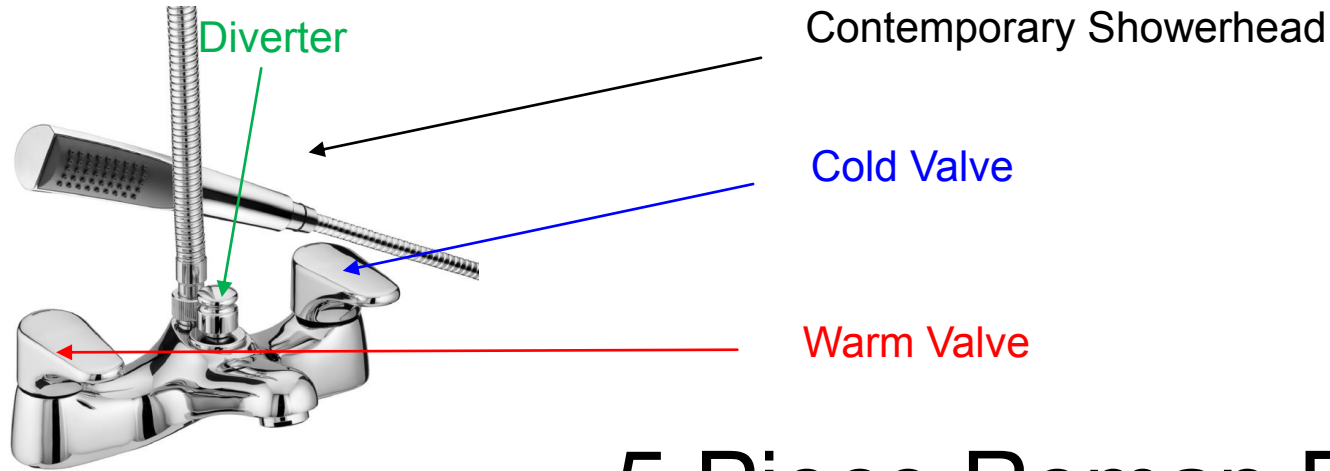
Omni handle : Is a walk in tub handle that is connected to the top of the door to a locking mechanism that's inside the walk in tub door. Turn counter-clockwise to lock and turn clockwise to un-Lock.



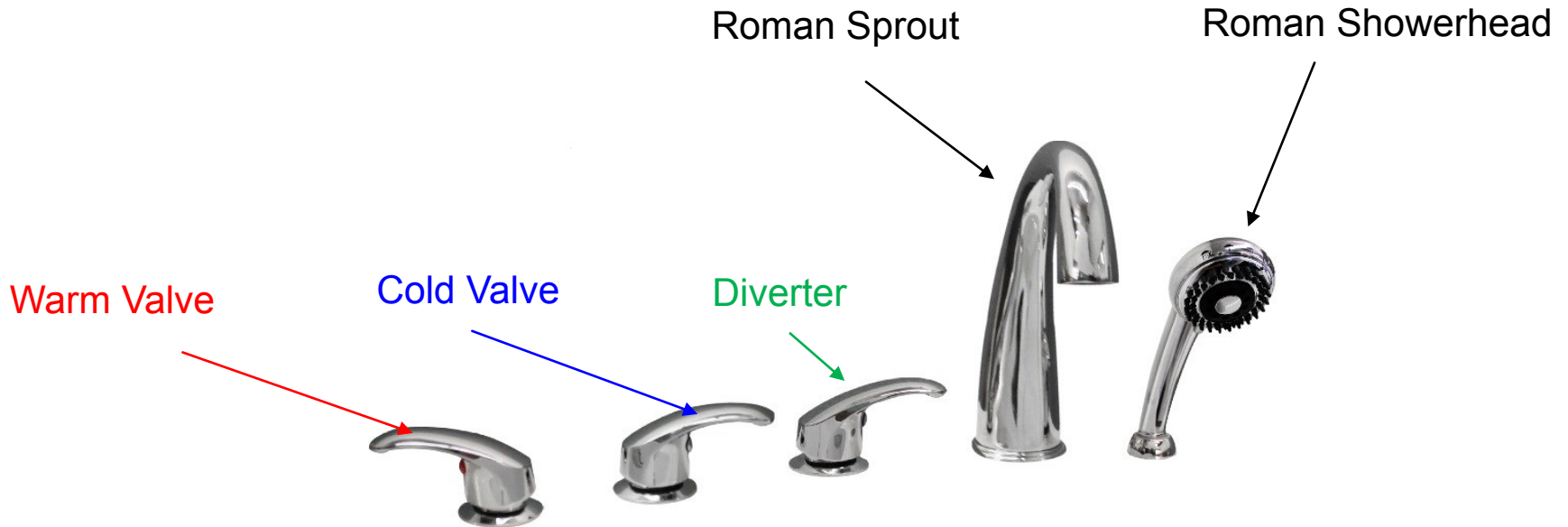
Wheelchair * Outward Swinging * handle : Push the handle forward to lock so the pins lock into the walk in tub frame securely. Pull handle back to unlock so the pins release from walk in tub frame causing the accessible tub to open.



One Piece Bristan Faucet



5 Piece Roman Faucet





Operating Instructions

1. Using the Pumps... The water level in your walk in tub must be approximately 2" above the jets before the Air or Water jet systems should be turned on to avoid possible damage to the pumps. If you have a dual, we don't recommend running both systems at the same time since they have the opposite effect therapeutically.

Recommended maximum time of use for hydrotherapy system is 20 minutes. If the three speed air jet system left on it will automatically shut itself off after 20 minutes. **Don't be surprised if the air jets turn itself on after 5 minutes of you turning the system off, the air jets are cleaning the air lines out of excess water. DO NOT dry run the pumps. Damage due to dry running the pumps is not covered under the warranty.**

2. Heated Backrest instructions (Optional)



Press ' **Once** ' to turn ON , once the heated backrest reaches the desired temperature Press ' **Again** ' to hold at desired temperature. Press ' Once More ' to turn OFF



Clean and Maintenance

Regular care of your Mobility Bathworks walk in tub will keep it clean and have it working at its best for many years to come. The best way to counteract from detrimental affects occurring is to prevent water from remaining on any finished surface on the Walk in Tub. Wipe down your Walk in Tub after every use. Please clean out your spa system with Cascade every 2 weeks to keep spa system clean.

DO NOT under any circumstances use wire brushes, metal sponges, steel wool or scouring pads on any part of your Mobility Bathworks Walk in Tub.

DO NOT under any circumstances use powerful solvents such as acetone, lacquer, paint thinner, benzene or abrasive cleaner on any part of your walk in tub.

DO NOT use ammonia or chlorine based agents on any plated surface, as they will deplete the surface and void your warranty.

DO NOT use any liquids, powders or oils in the water if you have an air and/or hydro system.

Oil or Grease spots can be lifted with denatured alcohol.

Use liquid, non bleach dish washing detergent to remove and construction residue.

To restore luster to a dulled surface, lightly rub a liquid compound (such as a polishing compound for cars) followed by a light application of liquid or paste wax.

Cleans plated surface with warm water only.

It is strongly suggested to keep the door in an open position allowing the door seal to remain relaxed while the tub is not in use to extend the lifetime of the door seal.



Frequently Asked Questions

Question # 1: The door seal isn't completely compressed. Should I try adjusting the door to make it tighter ?

Answer # 1: NO, there is no need to. Never adjust, move, undo or tamper with the door hinge. In some cases the door seal needs to reform its shape. This can easily be done by allowing the door to stay open when not in use.

Question # 2: How often should I clean my Mobility Bathworks Walk in Tub ?

Answer #2: Wipe your walk in tub off after each use. It is important to wipe your door seal and remove any debris.

Question #3: Can I have a bubble bath in my walk in tub ?

Answer # 3: Use some oils but do not use salts in your walk in tub.

Question #4; If I chip my Walk in Tub with a sharp object, what should I do ?

Answer #4: Purchase a fiberglass repair kit and follow the product directions and apply it to the chip.