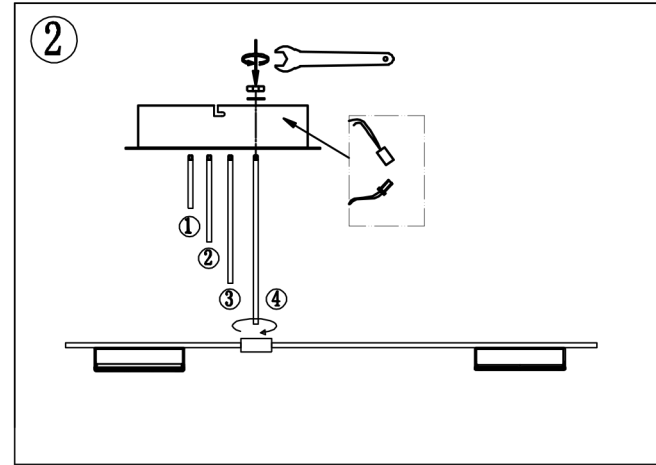
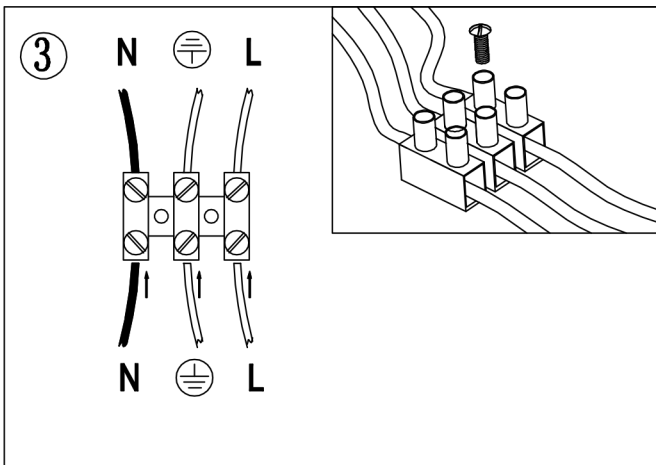


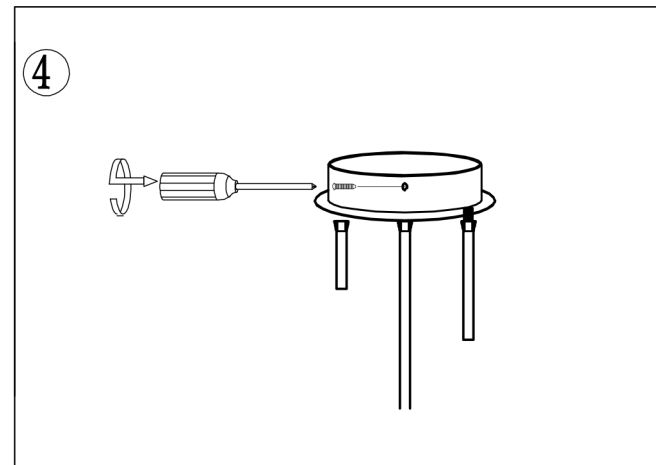
1. Install the ceiling-mount plate on the ceiling by using screws as drawing ① showing.



2. Assemble the lamp body together. Please refer to (right) picture which will show you assemble way.



3. Connect the electronic wire as drawing ③ showing.



4. Connect the lamp to ceiling-mount as drawing ④ showing.