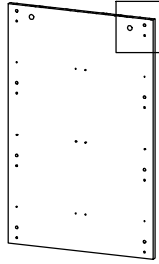
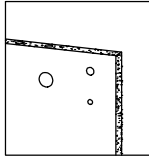
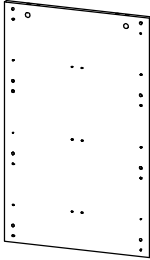
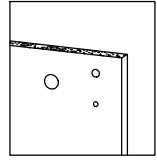


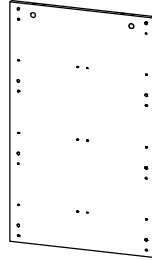
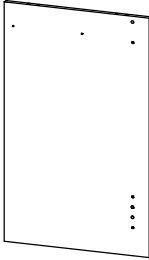
Ax1



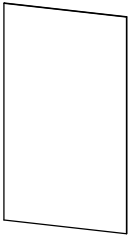
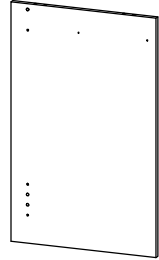
Bx1



Cx1



Dx1



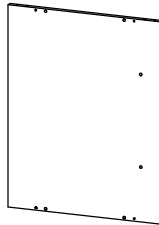
$$\frac{675 \times 399}{26.6 \times 15.7}$$

Ex2

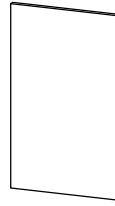


$$\frac{400 \times 344}{15.7 \times 13.5}$$

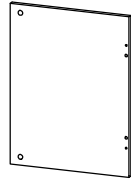
Fx6



Gx1



Hx1



Ix2



$$\frac{600 \times 150}{23.6 \times 5.9}$$

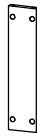
Jx1



Kx1

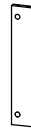


Lx6



$$\frac{385 \times 90}{15.2 \times 3.5}$$

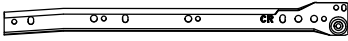
Mx12



Nx12



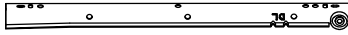
Ox6



Px1



Qx1



Rx1



Sx1



Tx6



Ux6



Vx6



Wx6



Xx90



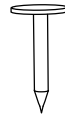
Yx90



Zx44



AAx108



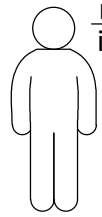
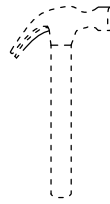
BBx92



CCx6



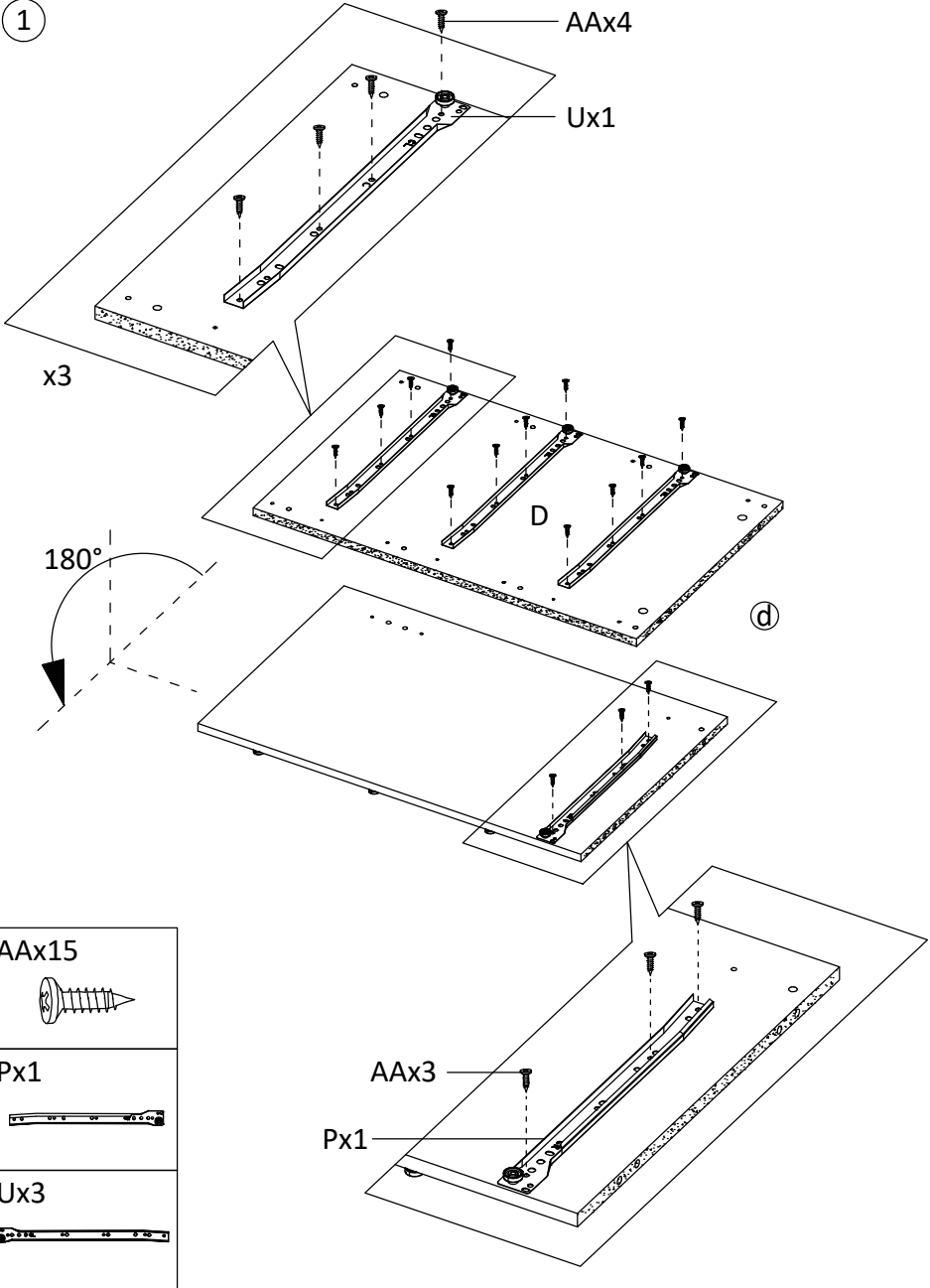
DDx6



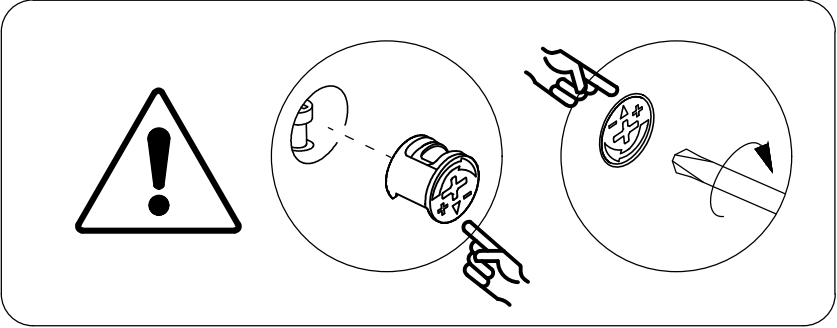
mm  
inch

x3

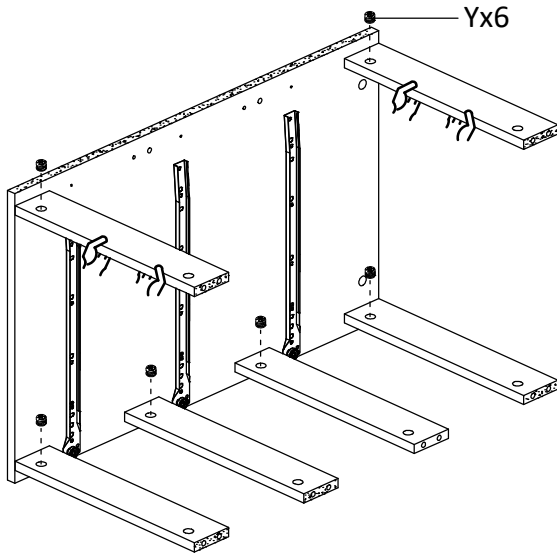
1







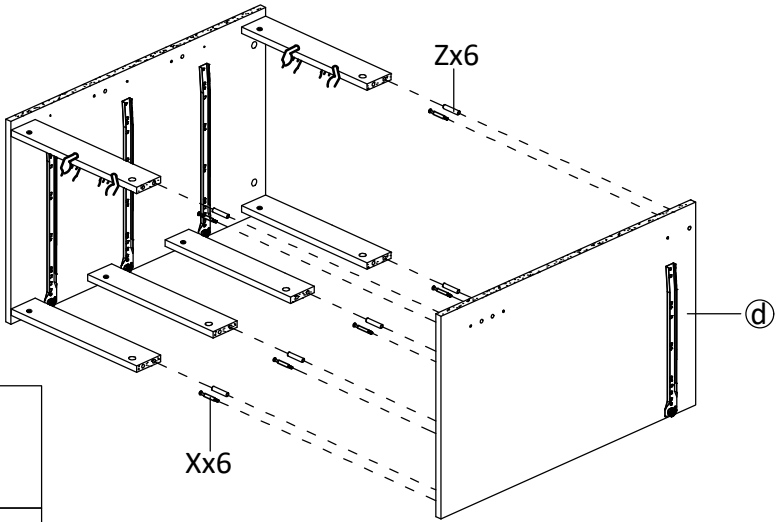
4



Yx6



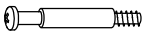
5



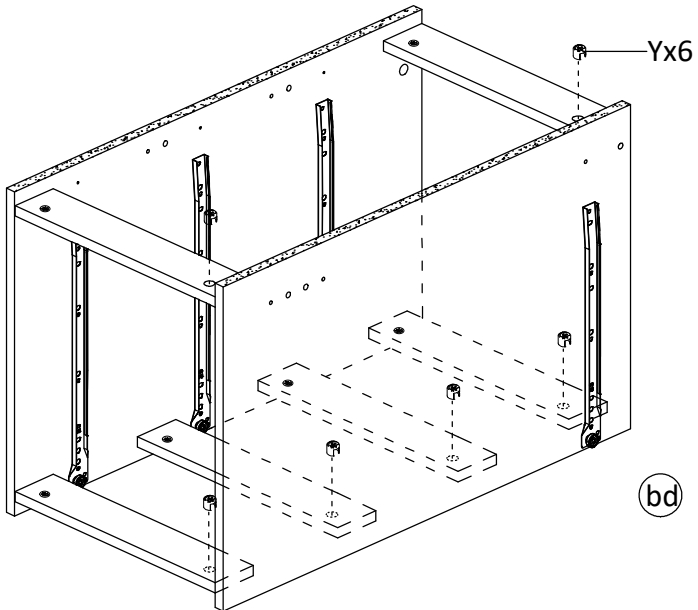
Zx6



Xx6



6



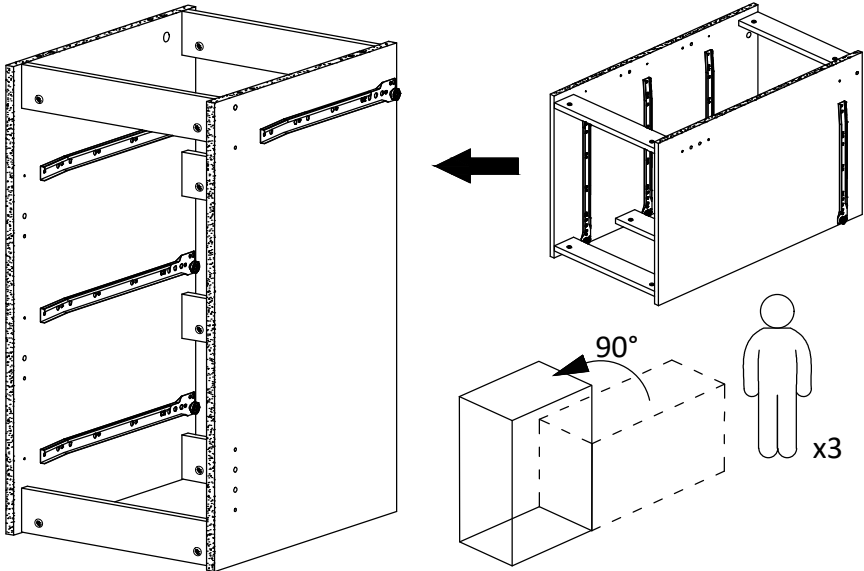
Yx6

bd

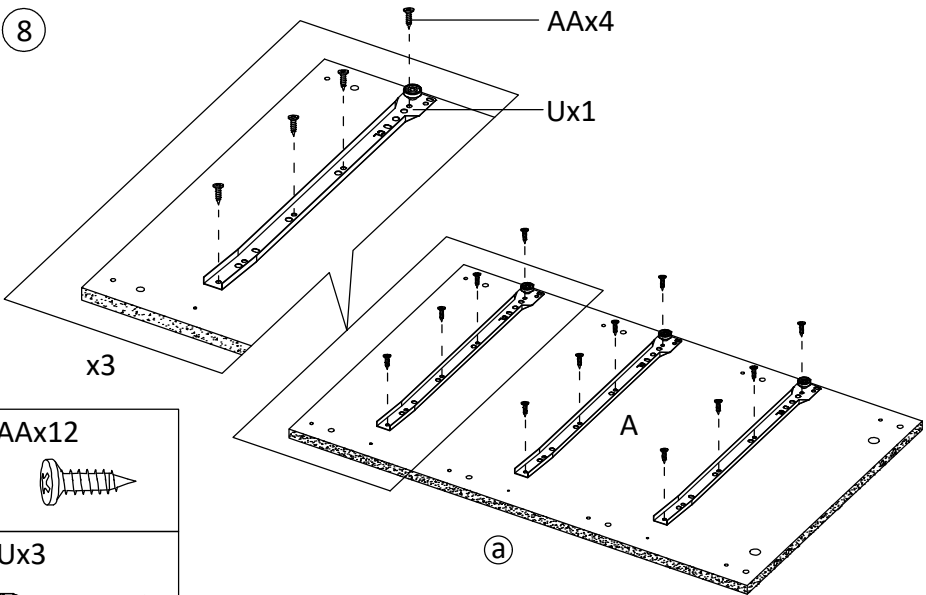
Yx6



7



8



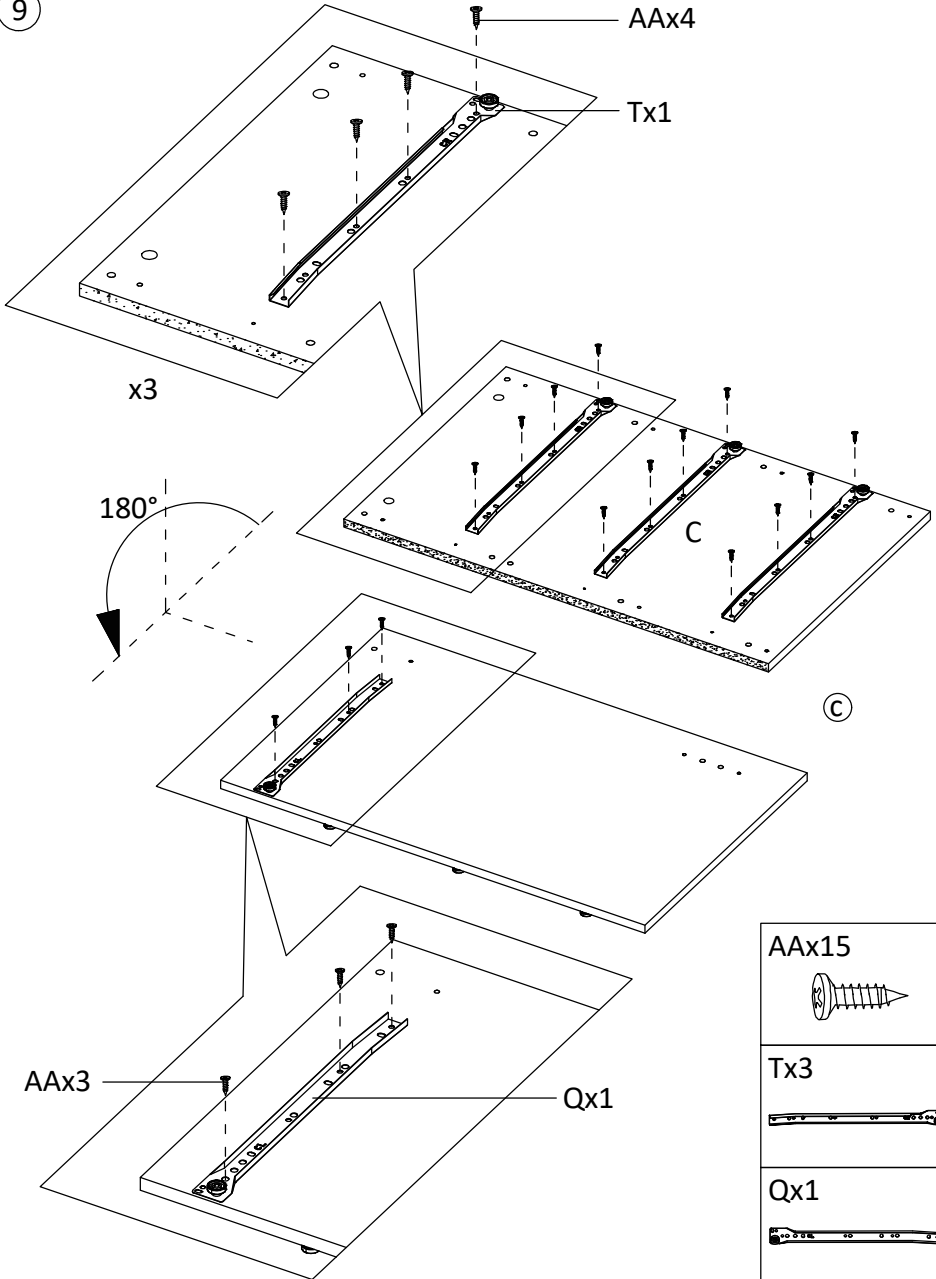
AAx12



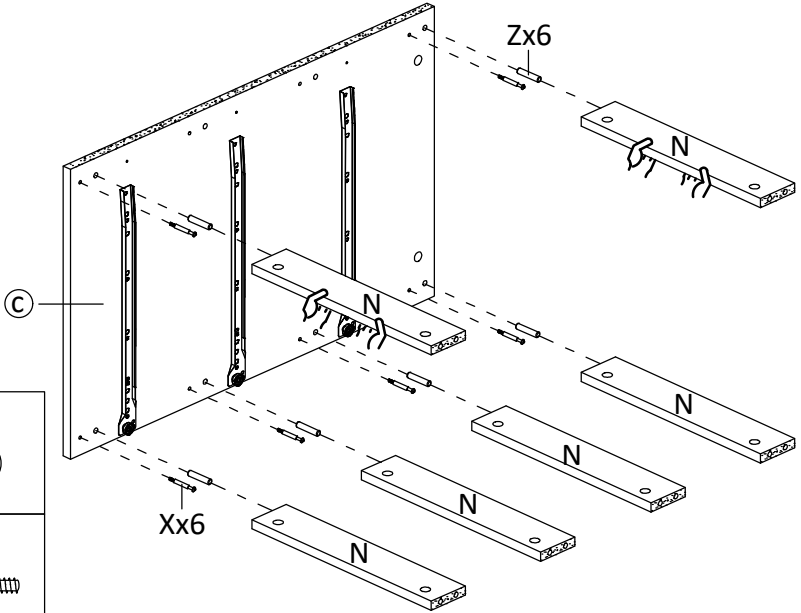
Ux3



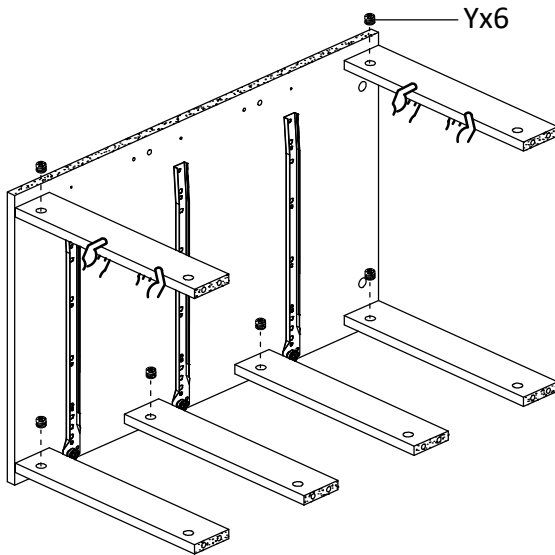
9



10



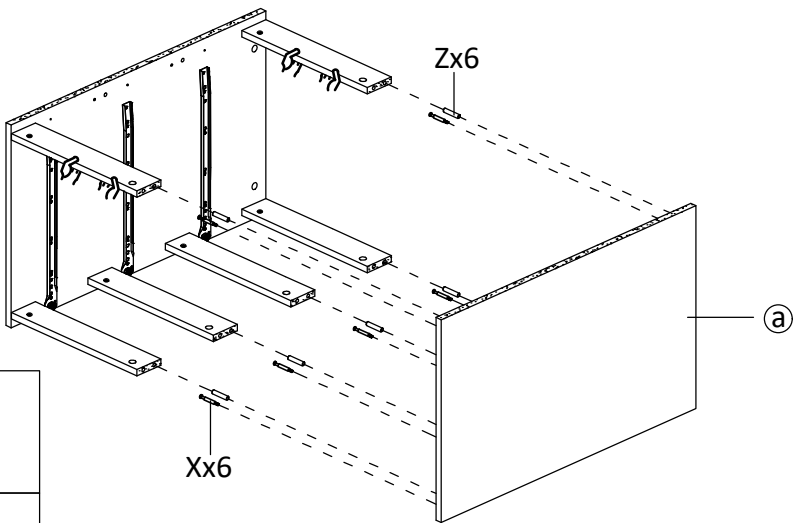
11



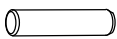
Yx6



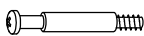
12



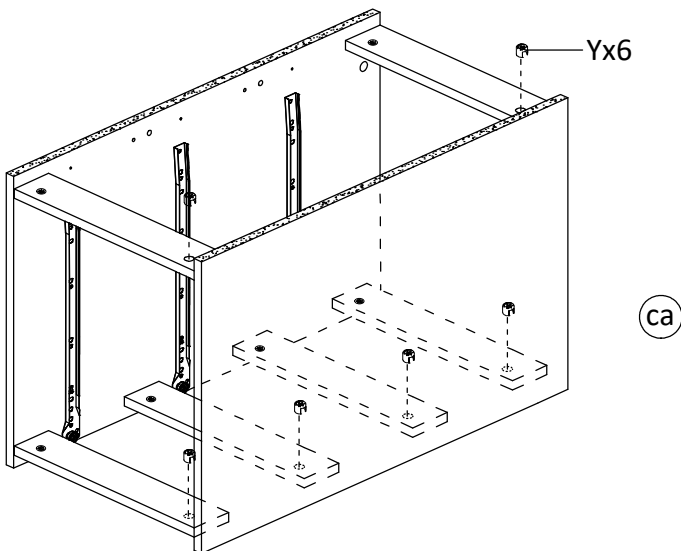
Zx6



Xx6



13



Yx6

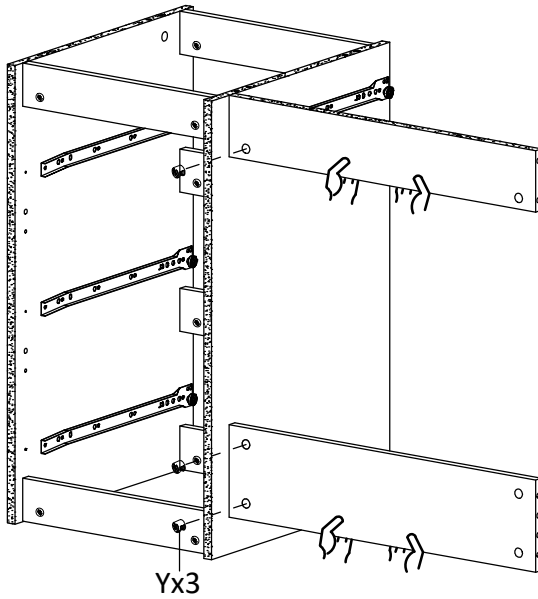
ca

Yx6





16

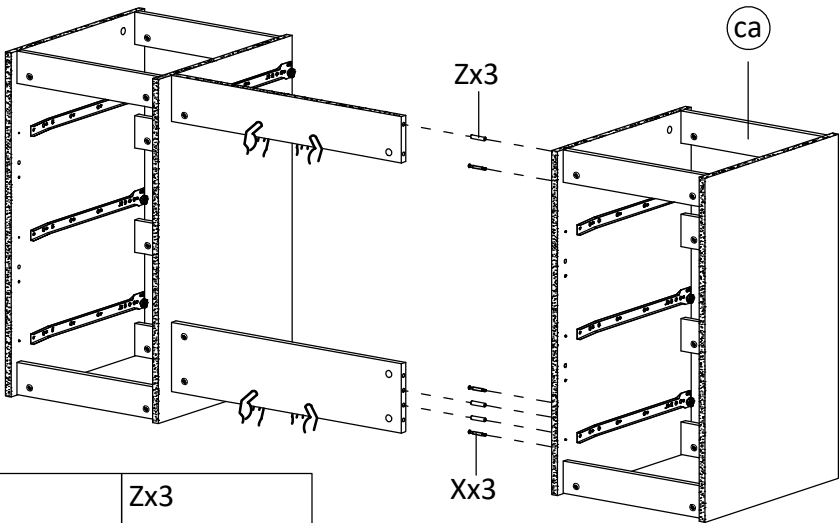


Yx3



Yx3

17

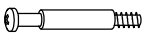


ca

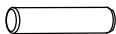
Zx3

Xx3

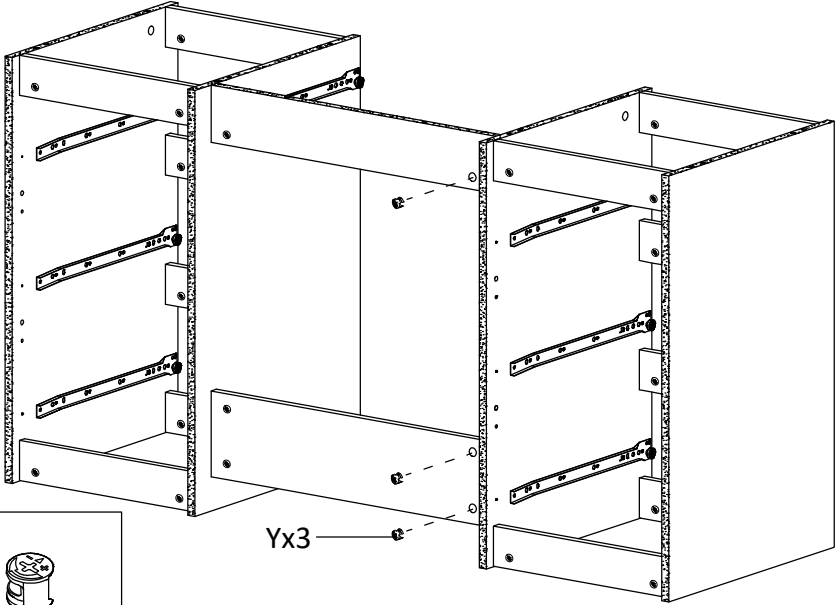
Xx3



Zx3



18

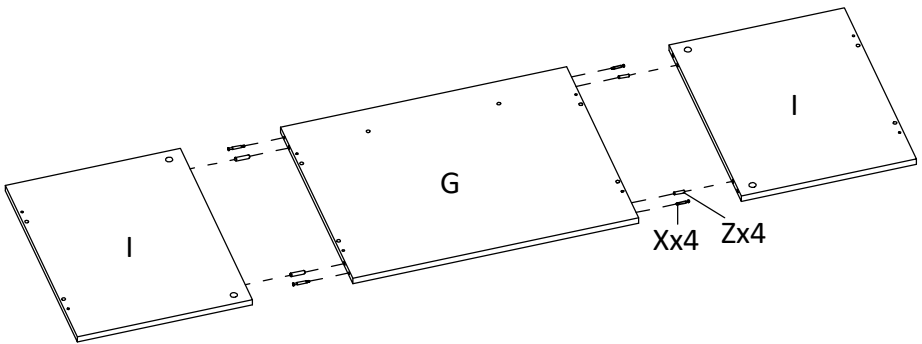


Yx3

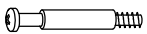


Yx3

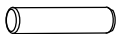
19



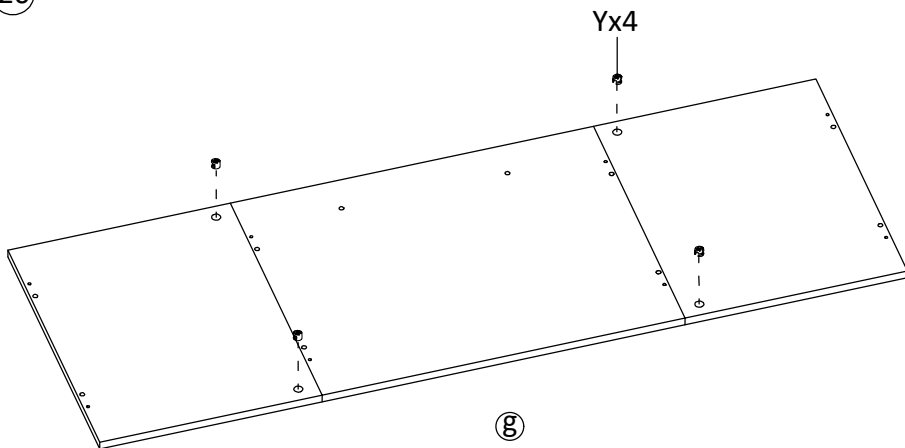
Xx4



Zx4



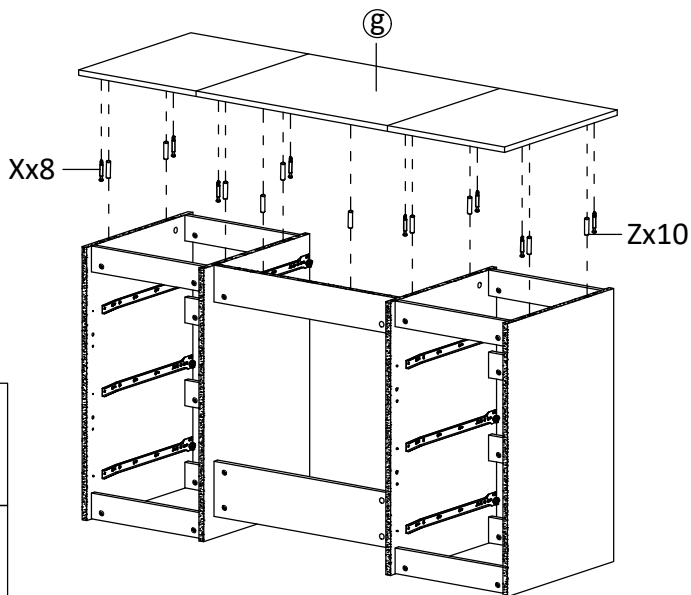
20



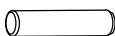
Yx4



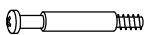
21



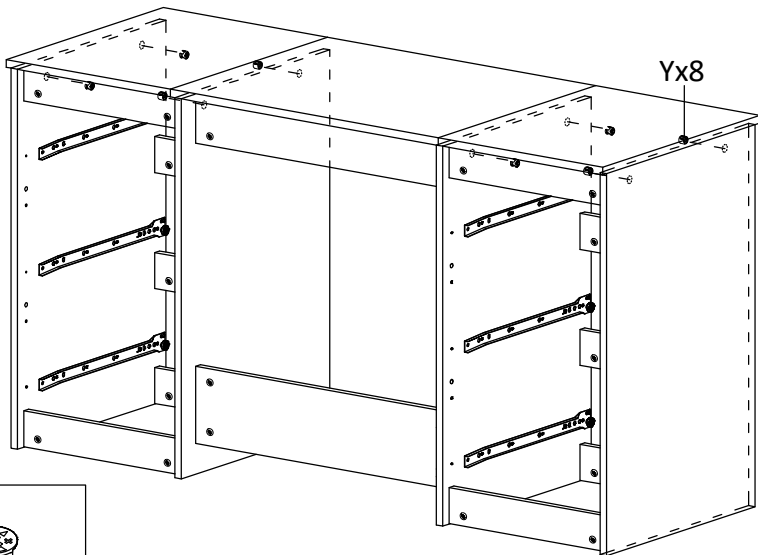
Zx10



Xx8



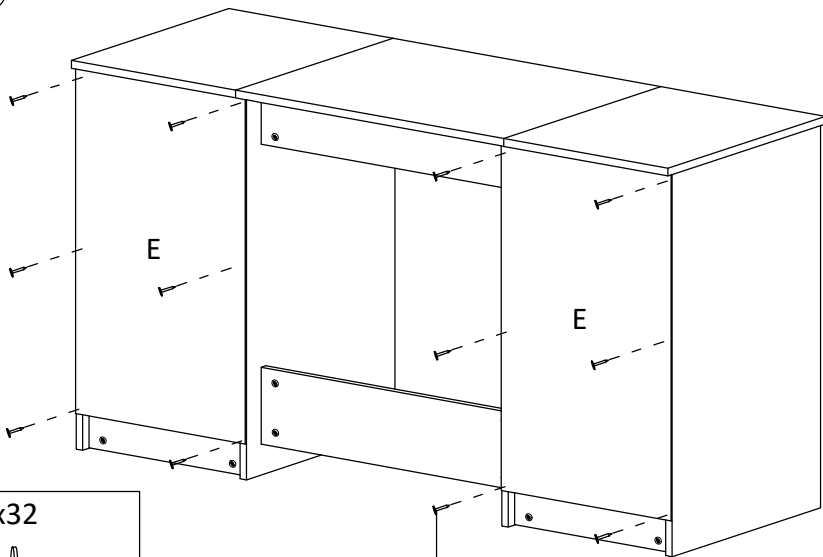
22



Yx8



23

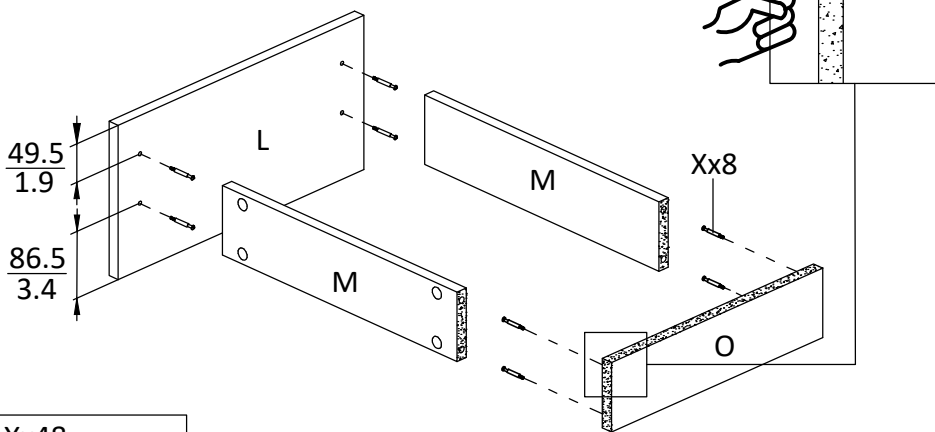


BBx32

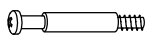


BBx32

24

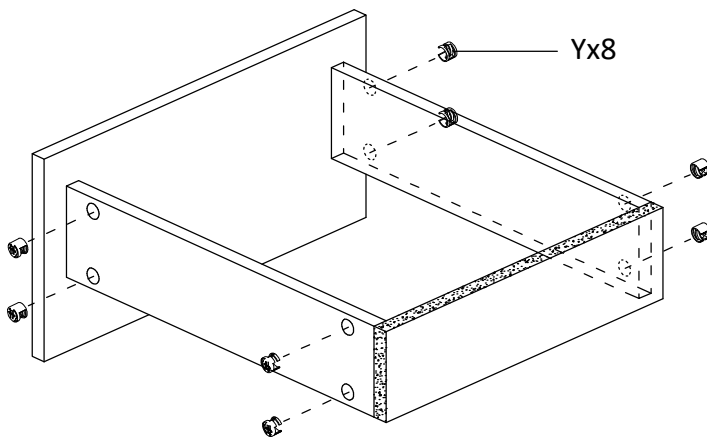


Xx48



x6

25

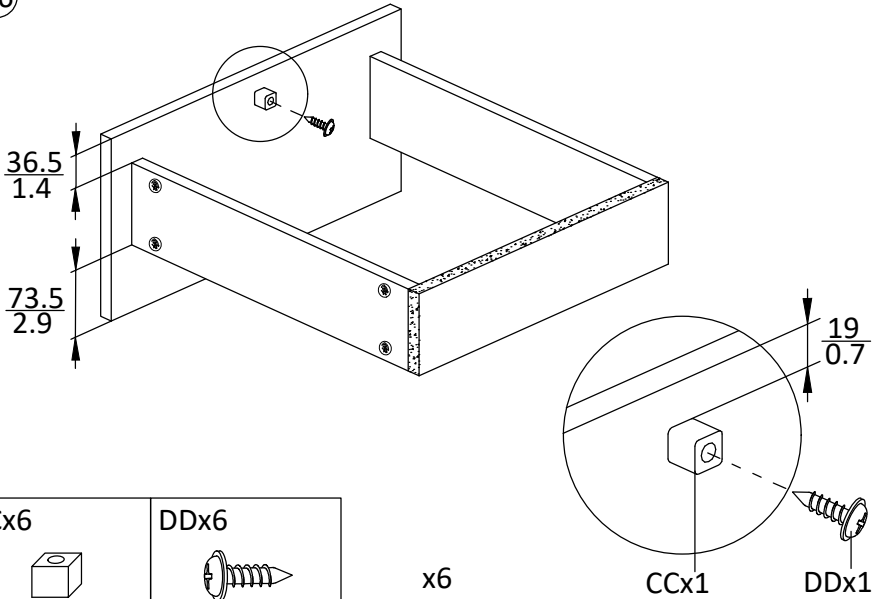


Yx48

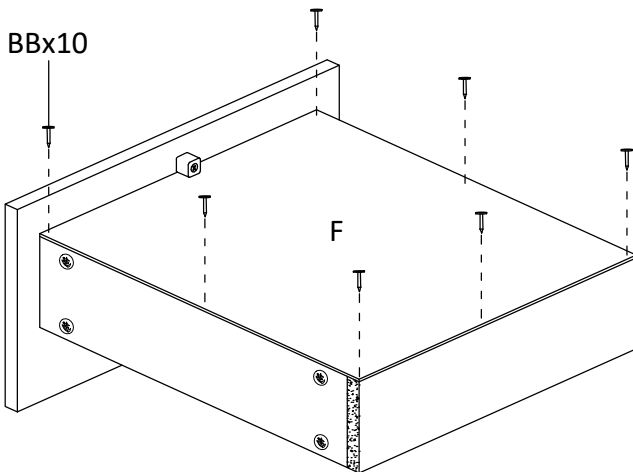


x6

26



27

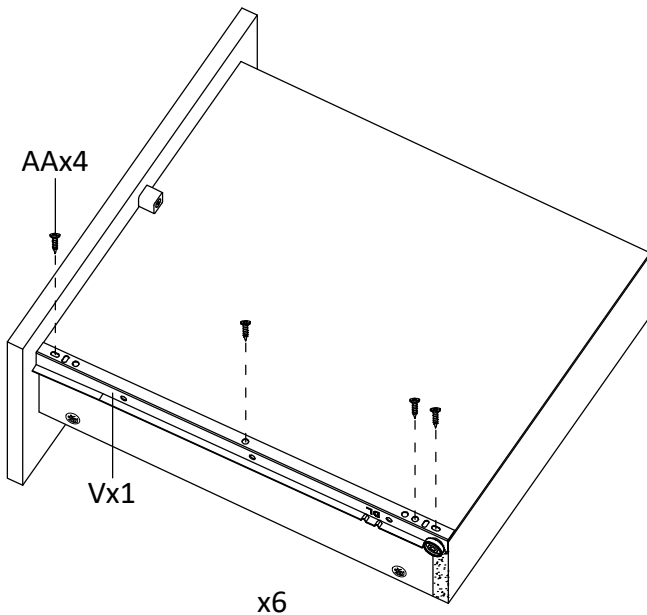


BBx60



x6

28



AAx24

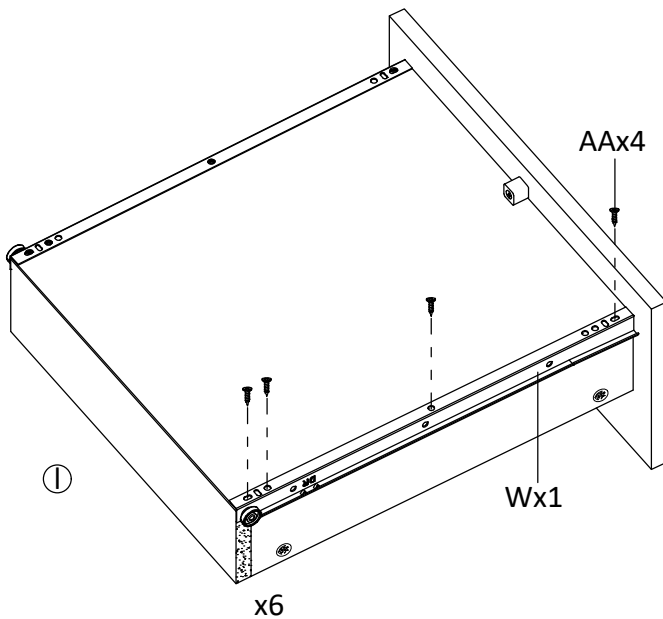


Vx6



x6

29



AAx24



Wx6



x6

30

AAx3



H

Sx1



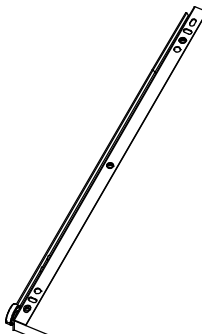
AAx3



Sx1



31



h

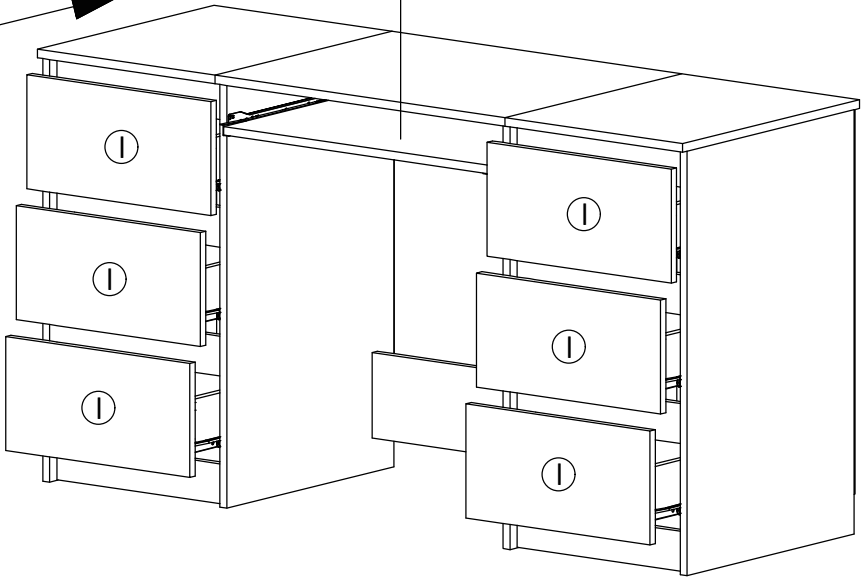
AAx3



32



h



33

