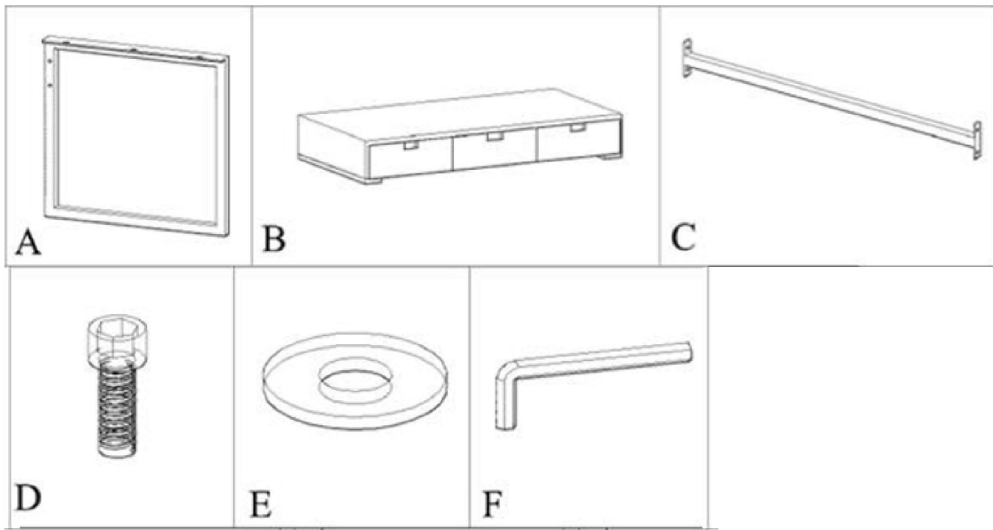


Assembly Instructions

Component List



Assembly Steps

