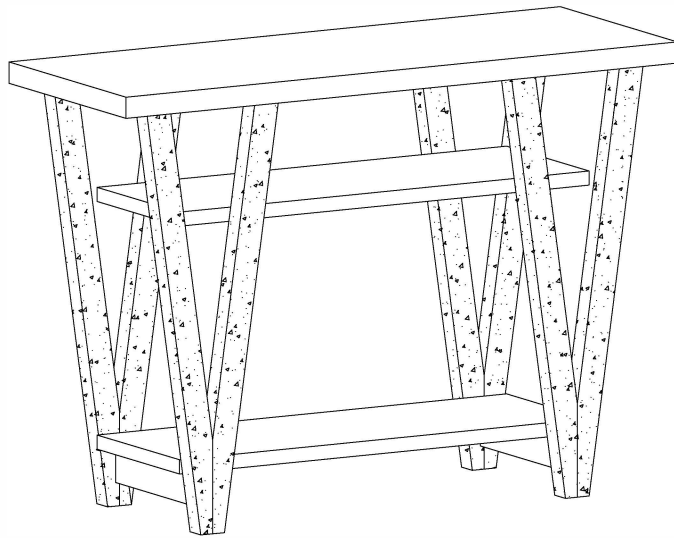


ASSEMBLY INSTRUCTIONS



Fine Furniture for every stage of life

**Sofa
Table**

ASSEMBLY INSTRUCTIONS

ASSEMBLY TIPS:

- 1.Remove hardware from box and sort by size.
- 2.Please check to see that all hardware and parts are present prior to start of assembly.
- 3.Please follow attached instructions in the same sequence as numbered to assure fast & easy assembly.



Warning !!

1. Don't attempt to repair or modify parts that are broken or defective. Please contact the store immediately.
2. This product is for home use only and not intended for commercial establishment.

















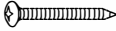
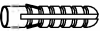

ASSEMBLY TIME

30 MINUTES

PARTS IDENTIFICATION

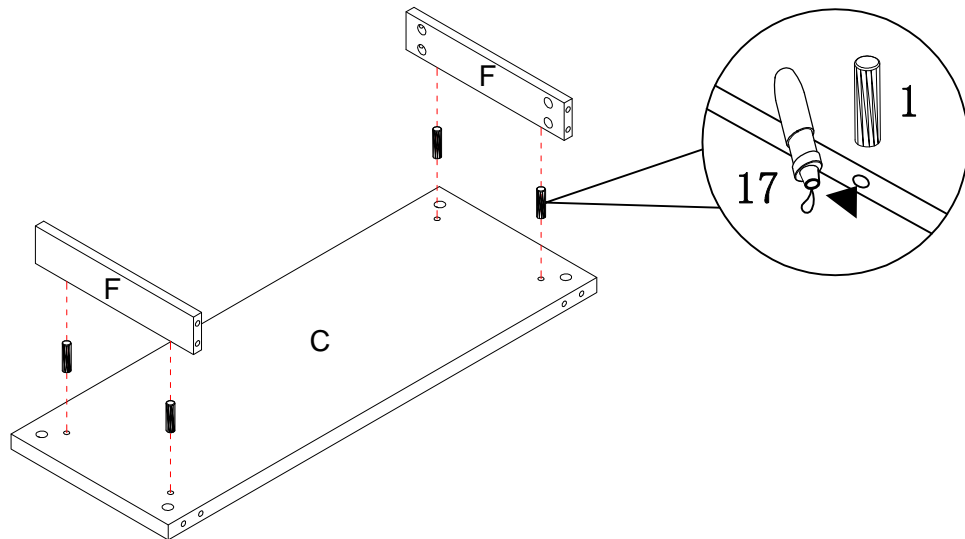
(A) TOP		1 PC	(D) FRONT RIGHT LEG/ REAR LEFT LEG		2 PCS
(B) MIDDLE SHELF		1 PC	(E) FRONT LEFT LEG/ REAR RIGHT LEG		2 PCS
(C) BOTTOM PANEL		1 PC	(F) BOTTOM SUPPORT		2 PCS

HARDWARE IDENTIFICATION

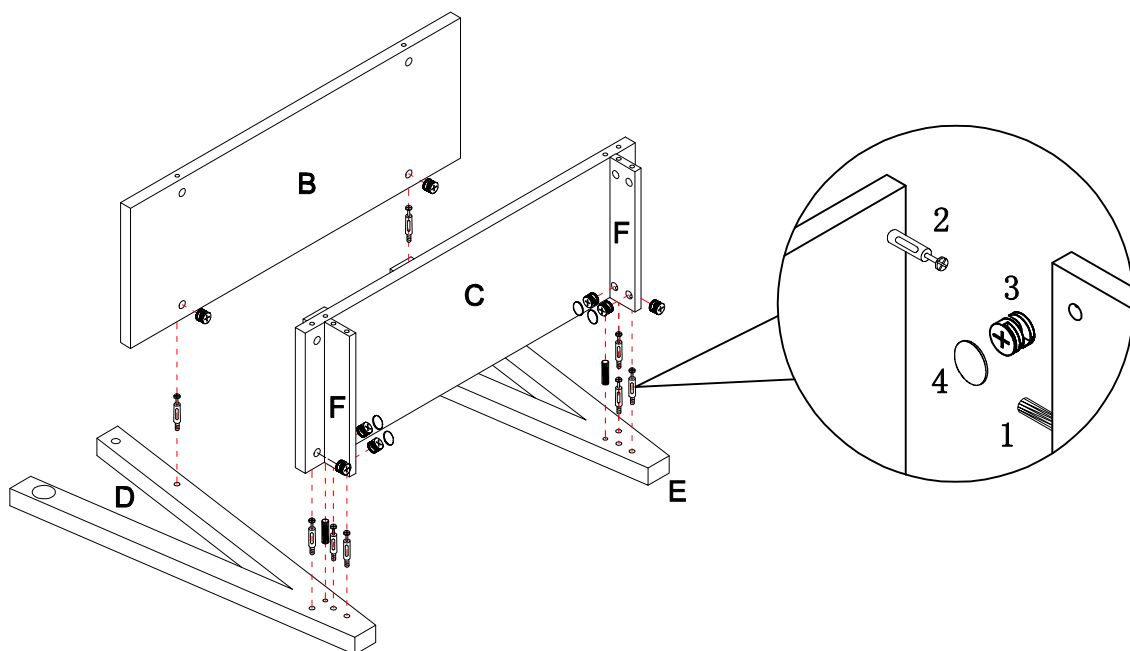
1	DOWEL	ø8x25mm		8pcs
2	CAMBOLT	L29mm		20pcs
3	CAMLOCK	ø15mm		20pcs
4	SMALL STICKER	ø20mm		8pcs
5	FULL THREADED ROD	M8x70mm		4pcs
6	JAM WASHER	M8mm		4pcs
7	WASHER	ø8xø16x2mm		4pcs
8	NUT	M8mm		4pcs
9	LARGE STICKER	ø45mm(BK)		4pcs
10	WRENCH	M13mm		1pc
11	SMALL STICKER	ø20mm(BK)		4pcs
12	THE RESTRAINT STRAP	197x5x1mm		1pc
13	BRACKET	12x12x1mm		2pcs
14	MEDIUM SCREW	ø4x25mm		1pcs
15	WALL SCREW	ø5x40mm		1pc
16	PLASTIC ANCHOR	ø8x40mm		1pc
17	GLUE			1pc

ASSEMBLY INSTRUCTIONS

STEP 1

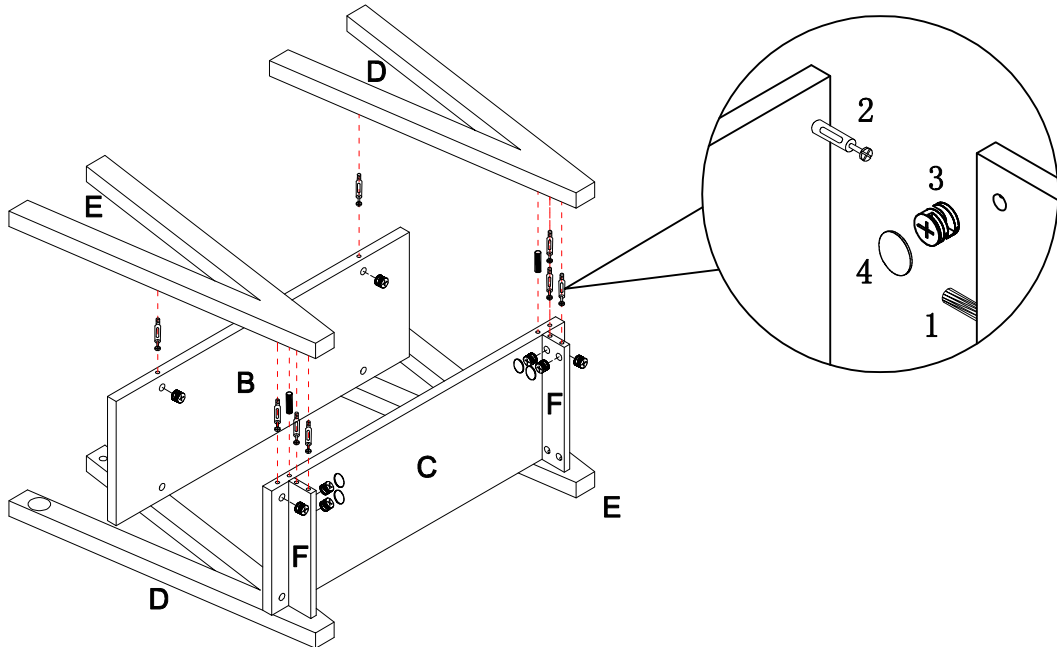


STEP 2

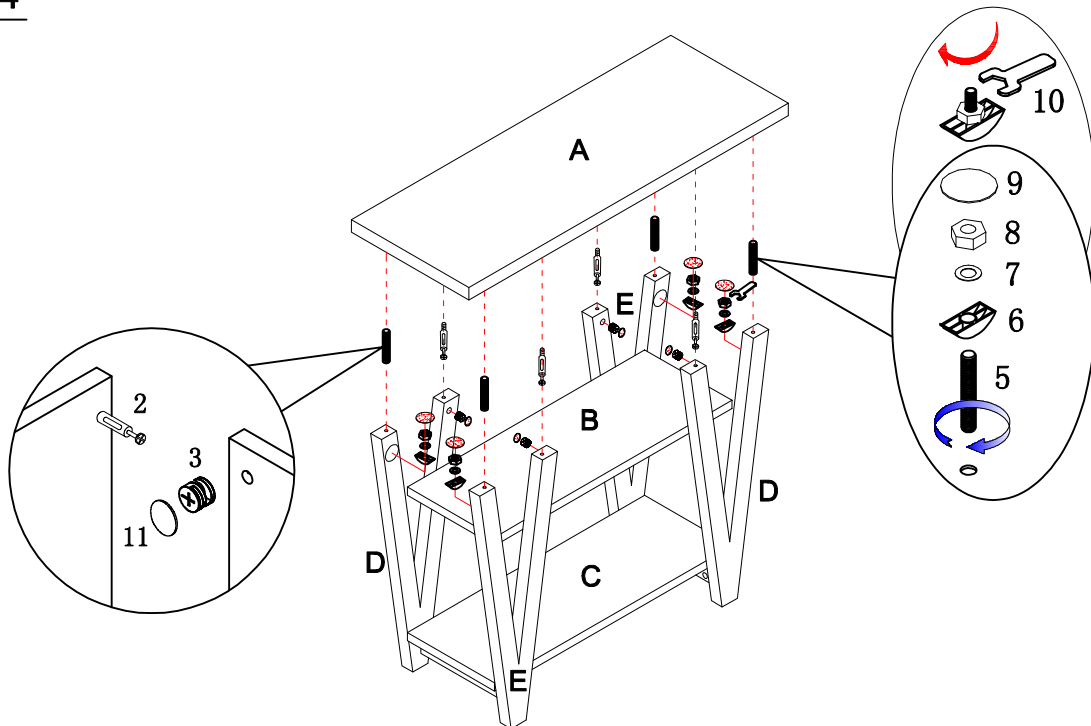


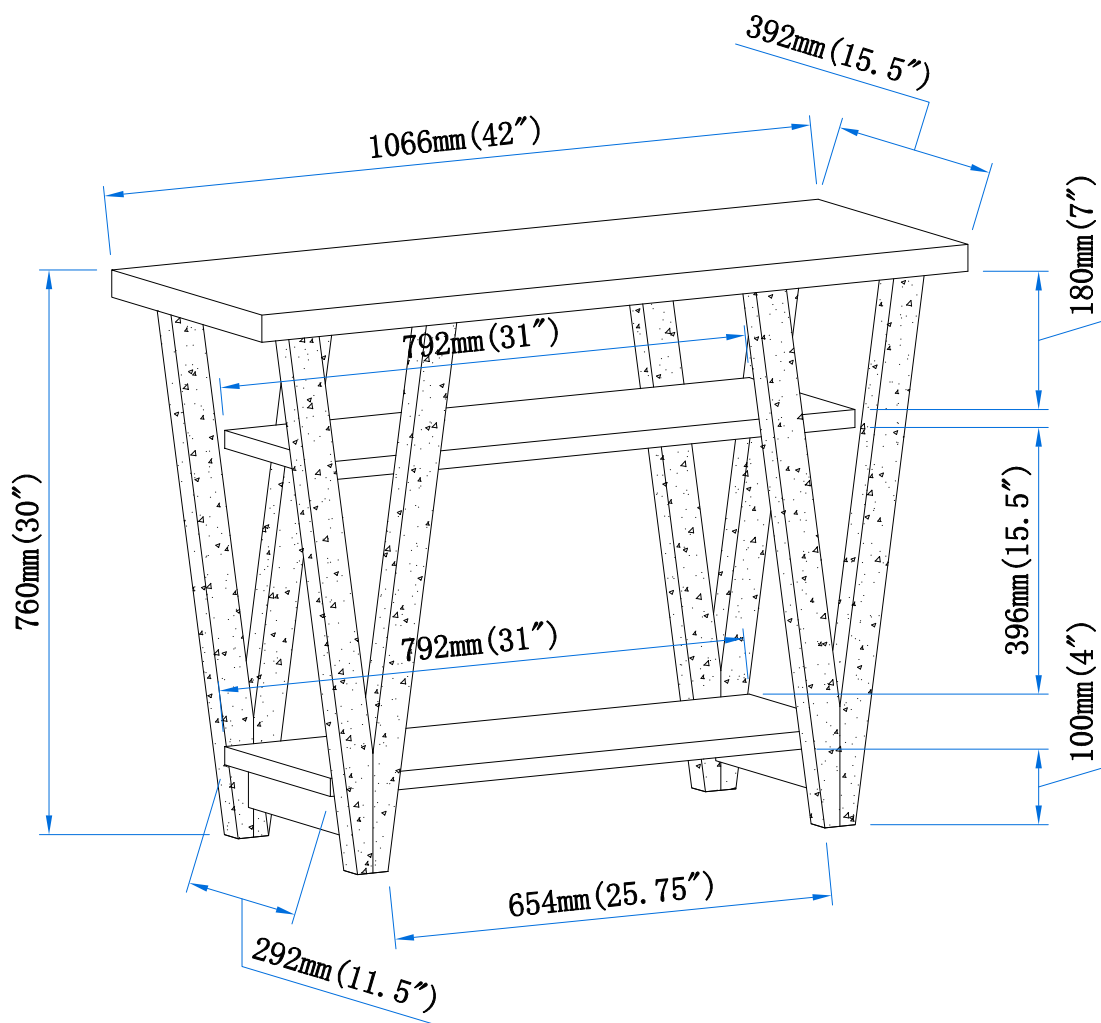
ASSEMBLY INSTRUCTIONS

STEP 3



STEP 4





ANTI-TIPPING INSTALLMENT INSTRUCTIONS

FURNITURE TIPPING RESTRAINT

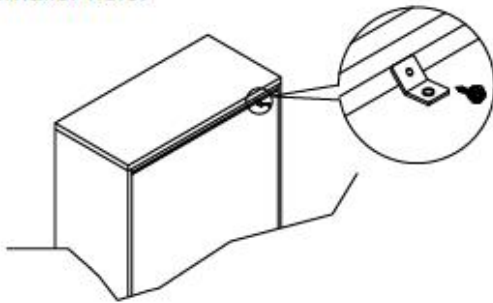
WARNING

Injury may result from tipping furniture.
This restraint may protect against tipping furniture.
Do not allow children to climb on furniture.
This restraint is not a substitute for proper adult supervision.
Failure to detach this restraint before moving the furniture may result in injury and damage.

This tip restraint must be attached to a wall stud using long screw enclosed.

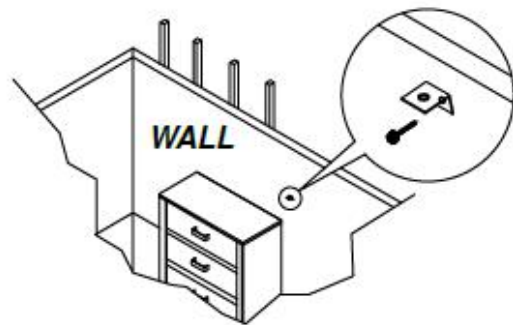
STEP 1

Attach a bracket securely to the back top rail to the furniture using short screw provided, through the smaller hole.



STEP 2

Locate the other bracket on the wall over a wall stud and two inches below the mounting bracket secured to the back of the furniture. Attach the wall stud using the long screw provided, through the smaller hole.



STEP 3

Place the furniture into position so both mounting brackets are vertically in line. Lace the end of the restraint strap through the larger hole in each mounting bracket. Bring both ends together and slide the flat end through the locking and draw it until all slack is removed. Confirm that the strap is securely laced and locked.

