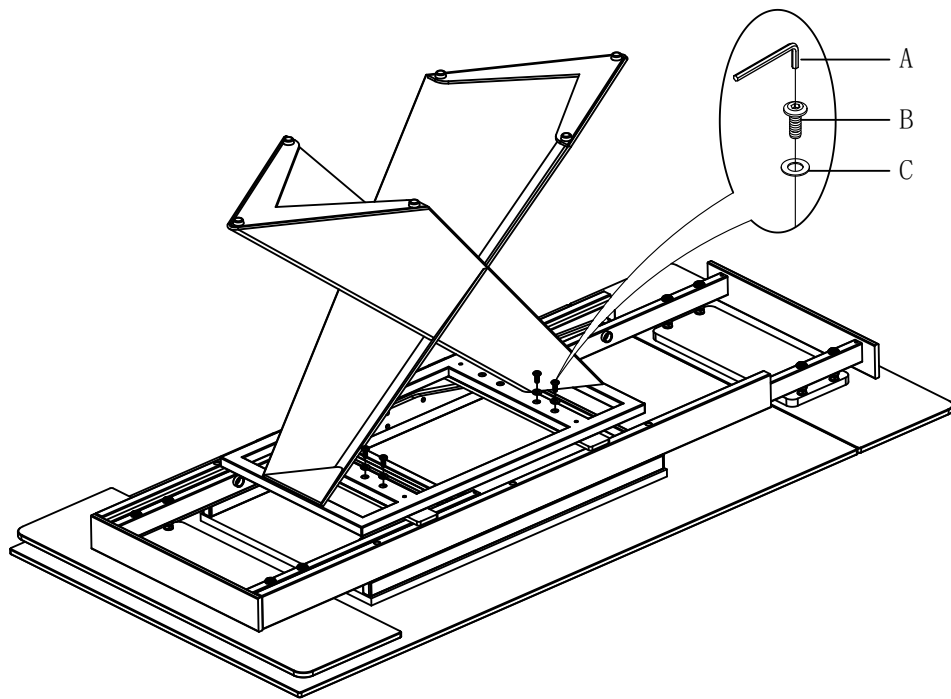
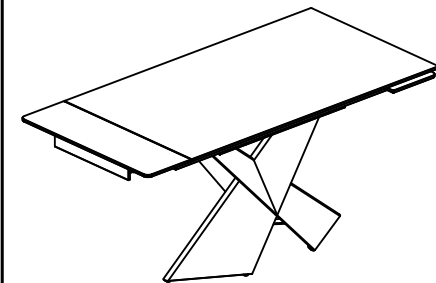
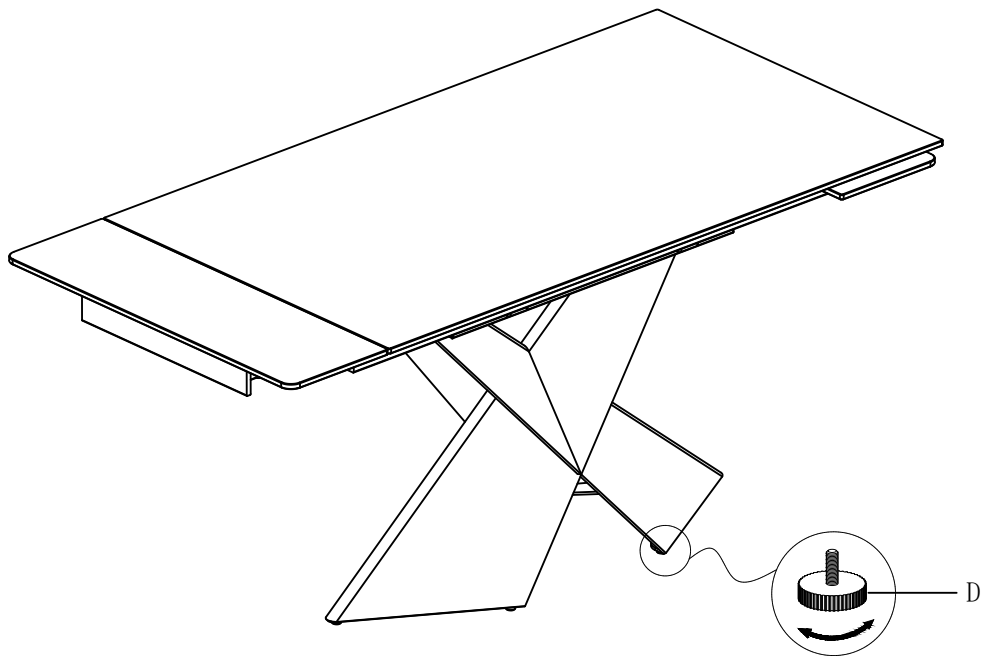






1



2



Model: KJW. CKT1020DT

SN	Graph	Description	QTY
A		S=5MM	1
B		M8*30	8
C		Ø20*09	8
D		M8	2