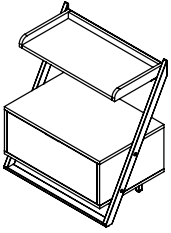


ASSEMBLY INSTRUCTION

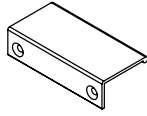
1-DRAWER NIGHTSTAND WITH 1 SHELF

A Nightstand



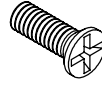
1pc

B Handle



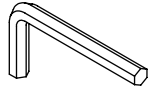
1pc

C Bolt
Ø5/32"x1/2"



2pcs

D Allen Wrench
M4



1pc

E Screwdriver
(Not Provided)



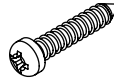
1pc

F Metal Bracket
(Anti - Tipping)



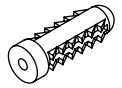
4pcs

G Wood Screw
(Anti - Tipping)



2pcs

H Plastic Anchor
(Anti - Tipping)

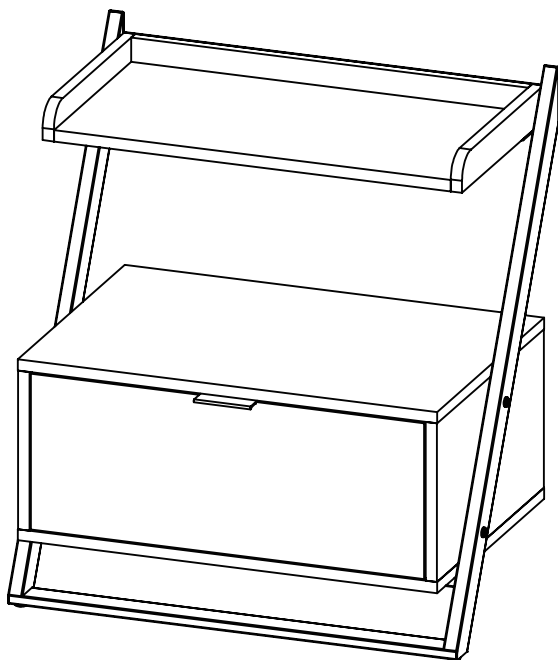


2pcs

I Plastic Mounting Strap
(Anti - Tipping)

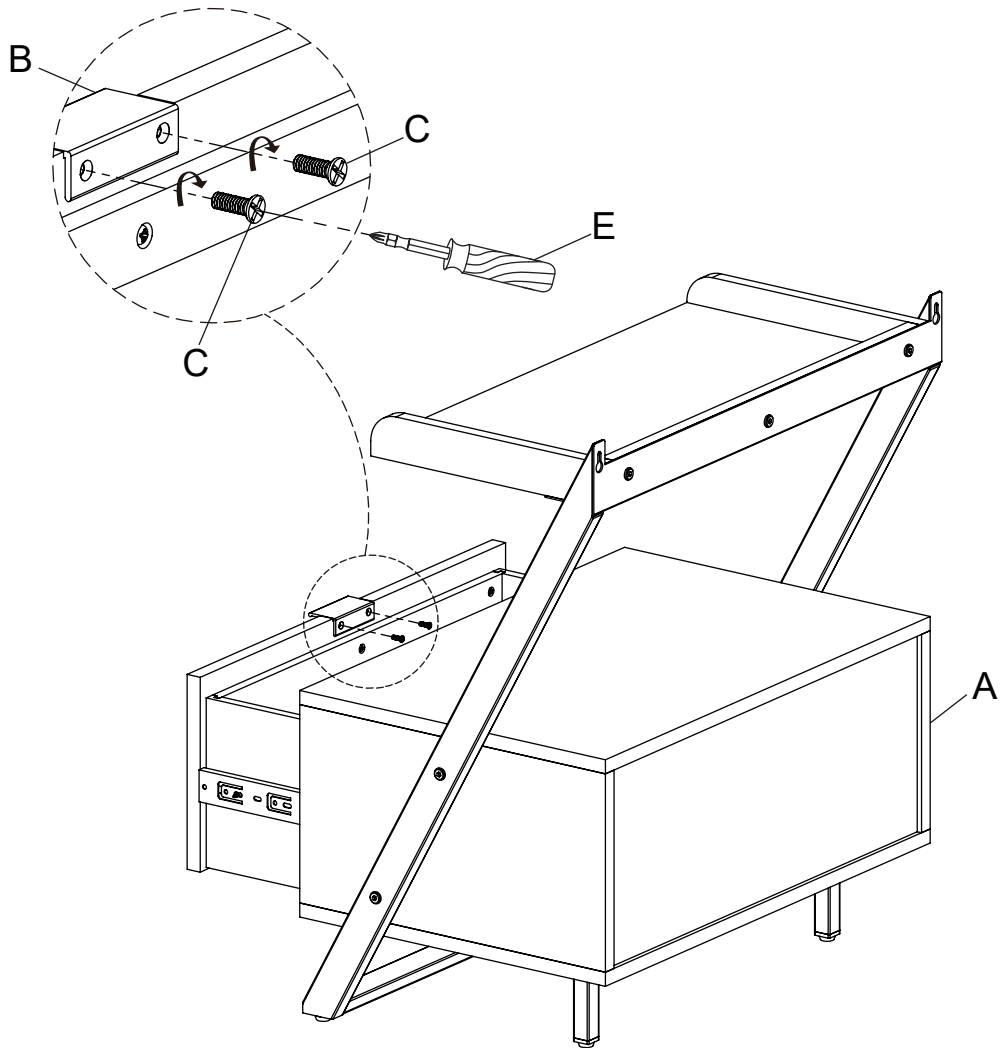


2pcs



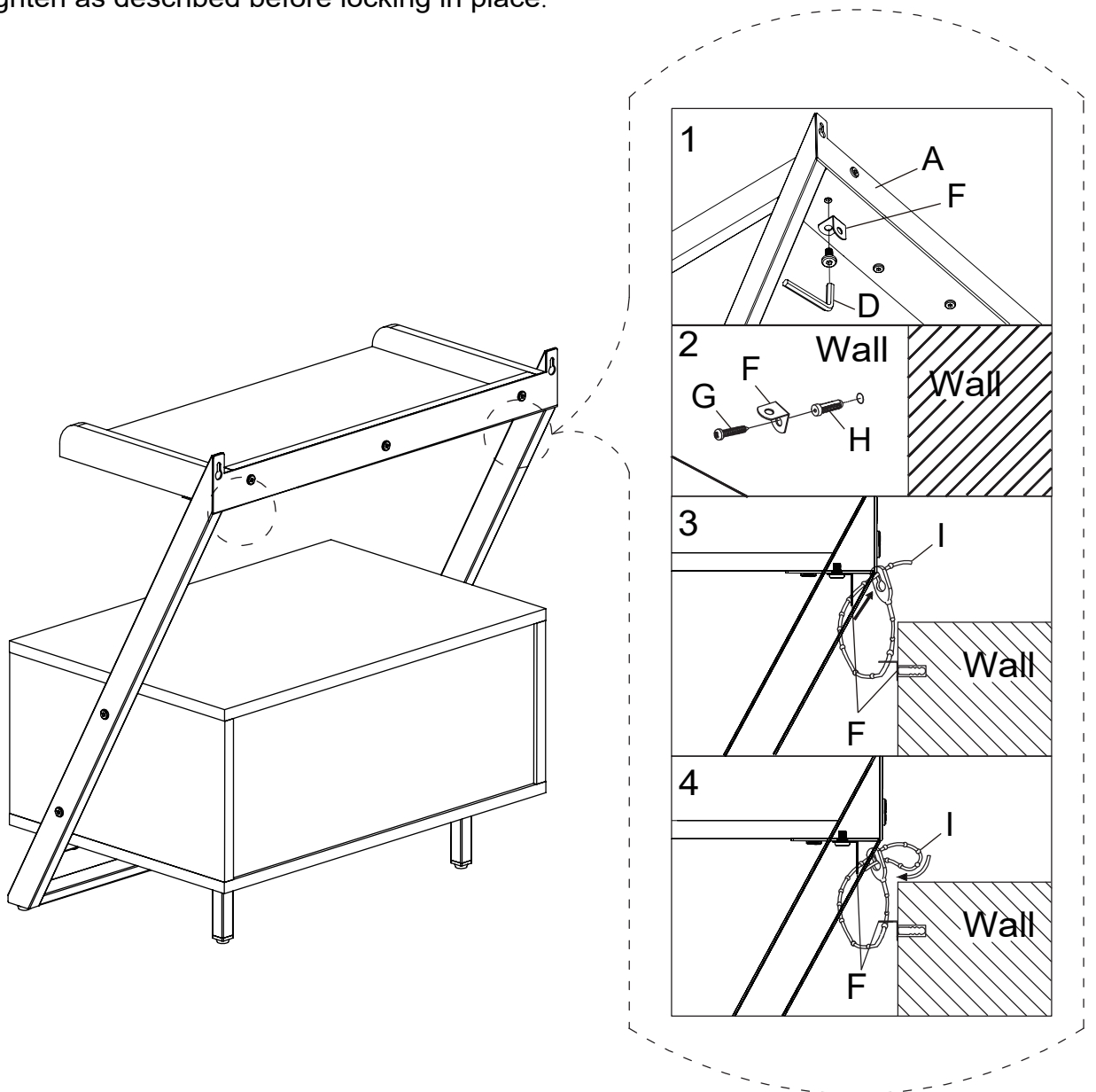
This page list all the contents included in the box. Please take the time to identify the hardware as well as the individual components to this product. As you unpack and prepare for assembly, place the contents on a carpeted or padded area to protect them from damage.

1 Assemble Handle (B) to the front of drawer using Bolt (C) by Screwdriver (E) as below shown.



2 *NOTE: WE RECOMMEND THAT YOU ATTACH THE PRODUCT TO YOUR WALL AS A SAFETY PRECAUTION USING ANTI-TIPPING KIT AS BELOW INSTRUCTION.

1. Attach 2pcs of the Metal Bracket (F) to the holes on back of Nightstand (A), using bolt by Allen Wrench (D) as below shown, making sure the Metal Bracket (F) extend DOWNWARD.
2. Determine where furniture is to be placed and mark location on the wall for the Metal Bracket (F). Drill 2 holes in your wall approximately 2" (Inches) BELOW the corresponding positions of Metal Bracket (F) and insert Plastic Anchor (H) as shown.
3. Position the Metal Bracket (F) over the Plastic Anchor (H) and use the Wood Screw (G) to securely attach the bracket to the wall.
4. Place the furniture so the bracket on the back of Nightstand (A) is in line with the bracket to the wall. Now connect the corresponding Metal Bracket (F) with Plastic Mounting Strap (I) and tighten as described before locking in place.



Cleaning & Care

Treat surface with care. Surface is resistant to scratches but is not scratch resistant. Clean surfaces with a dry or damp soft cloth. Do not use abrasive cleaners. Hardware may loosen over time. Periodically check that all connections are tight.