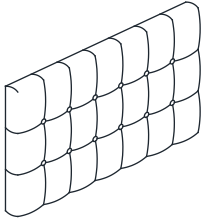


# ASSEMBLY INSTRUCTION

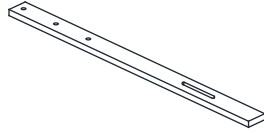
## PARTLIST

1



HEADBOARD CUSHION x1

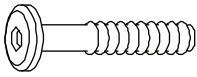
2



HEADBOARD LEG x2

## HARDWARE

A



JCBB SCREW  
M8 x 35MM x4

B



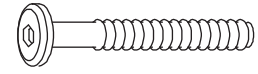
SPRING WASHER  
M8 x 14MM x4

C



FLAT WASHER  
M8 x 22MM x4

D



JCBC SCREW  
M6 x 50MM x4

E



SPRING WASHER  
M6 x 12MM x4

F



FLAT WASHER  
M6 x 19MM x8

G



HEX NUT  
M6 x 5MM x4

H



L - KEY  
M4 x 65MM x1

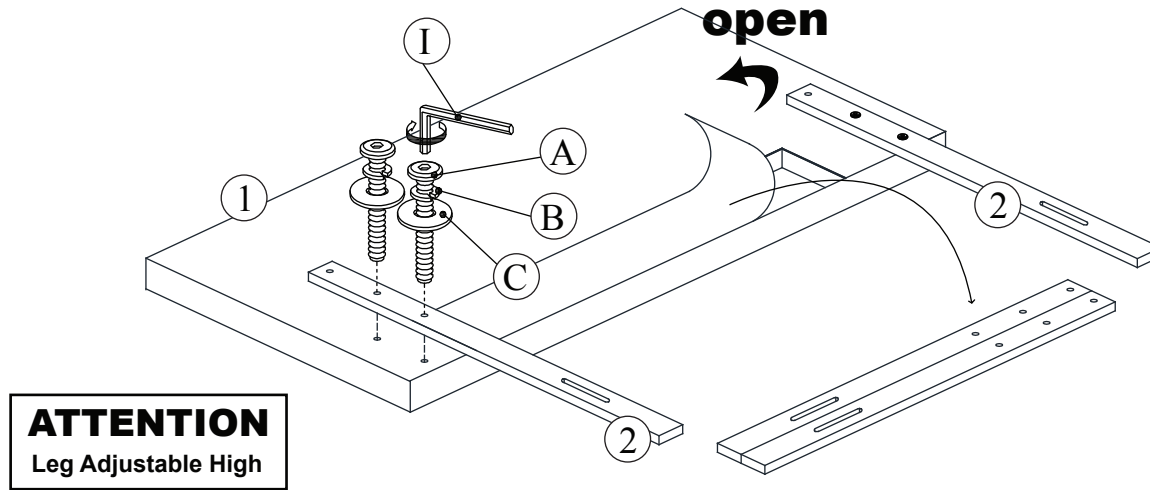
I



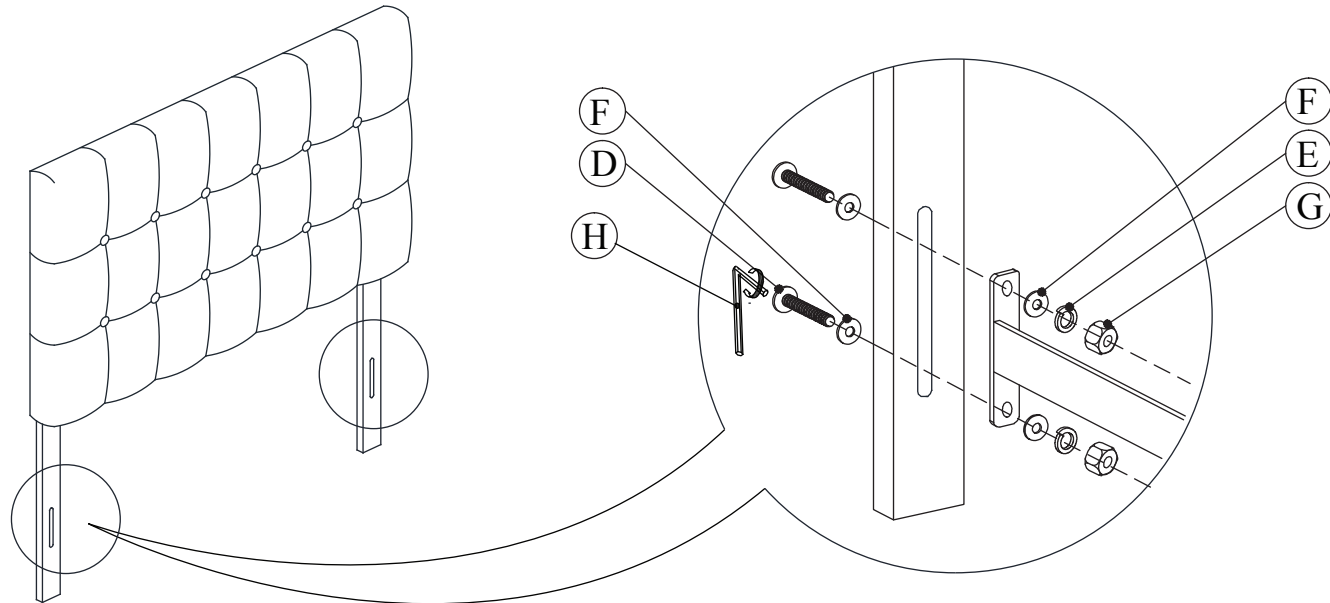
L - KEY  
M5 x 65MM x1

# ASSEMBLY INSTRUCTION

STEP 1



STEP 2



ASSEMBLY  
COMPLETED