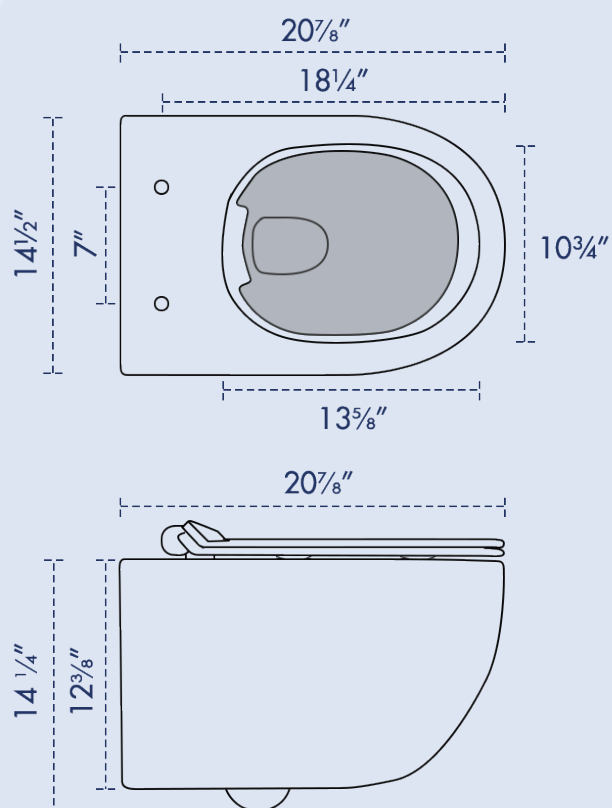


# Wall Hung Toilet



## SPECIFICATIONS

- Dimensions: 20 $\frac{7}{8}$ "L x 14 $\frac{1}{2}$ "W x 14 $\frac{1}{4}$ "H
- Net Weight: 60 lbs



## FEATURES

- Solid vitreous china construction
- Fully glazed, non-porous finish
- Space-saving design, concealed tank
- Easy-to-clean without hard-to-reach areas
- Quick-release, soft-close seat
- D-shaped seat design
- Customizable seat height

## INSTALLATION

- Wall-hung

## PARTS INCLUDED

- Wall Hung Toilet
- Mounting Hardware
- Toilet Seat

## COMPATIBLE PARTS

- Toilet Tank Carrier

## COLORS & FINISHES



White



Matte Black