
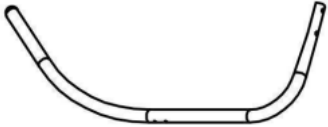
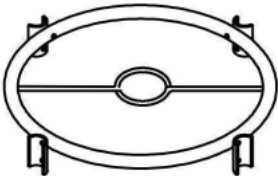








# TABLE ASSEMBLY & USE INSTRUCTIONS



## BOM PARTS

No.	Parts	PIC	Qty
A	Table Frame Assembly		1
B	Leg		4
C	Leg connector bracket		1
AA	Flat Head Hex Socket Screw		8(+2)
BB	Flat Head Hex Socket Screw		4(+1)
CC	Flat Head Hex Socket Screw		4(+1)
DD	Washer		16(+2)
EE	Hex Key (Allen Wrench)		1
FF	Flat Head Hex Socket Screw		8(+2)

# WARNING!

For your safety and to ensure proper use, please follow the provided instructions carefully. Incorrect assembly or handling may cause damage to the product or result in injury.



## ASSEMBLY INSTRUCTIONS



### BEFORE YOU START

- Read the instructions thoroughly.
- Confirm parts and hardware.
- A mild odor may occur due to packaging - it will fade after a few days.

### SAFETY TIPS



- ⚠️ Avoid over-tightening the screws.
- ⚠️ Avoid using power tools.



Estimated Time

**15 minutes**



Installers Required

**2 people**



Difficulty

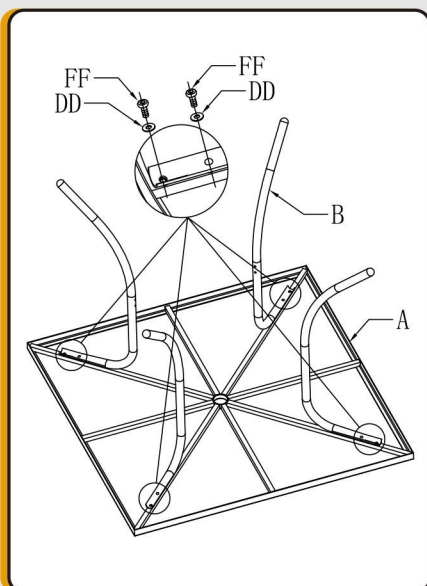


**Professional installation is highly recommended!**

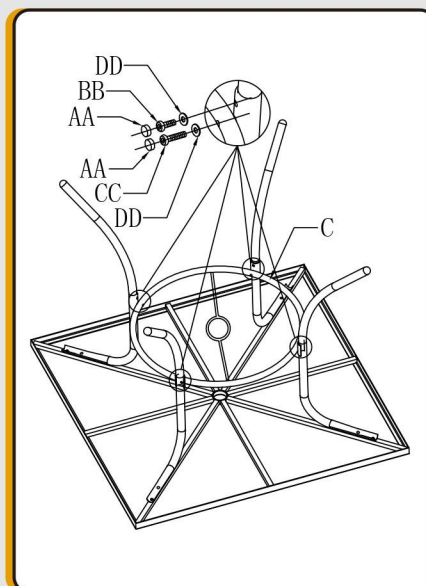
### STEPS:

- Fix all the screws in place, without tightening them first.
- After confirming the position of all the screws, tighten the screws and nuts.

**FIG 1**



**FIG 2**



**FIG 3**

