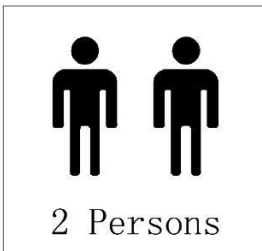
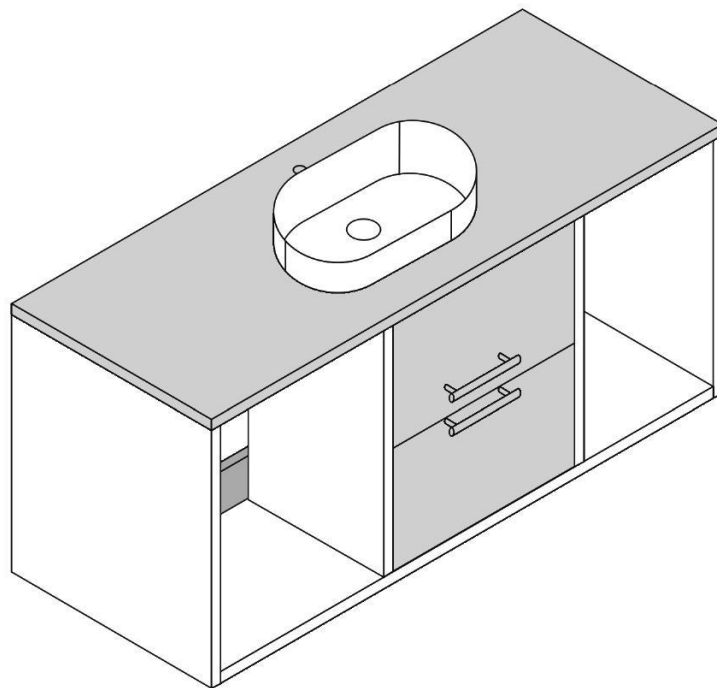


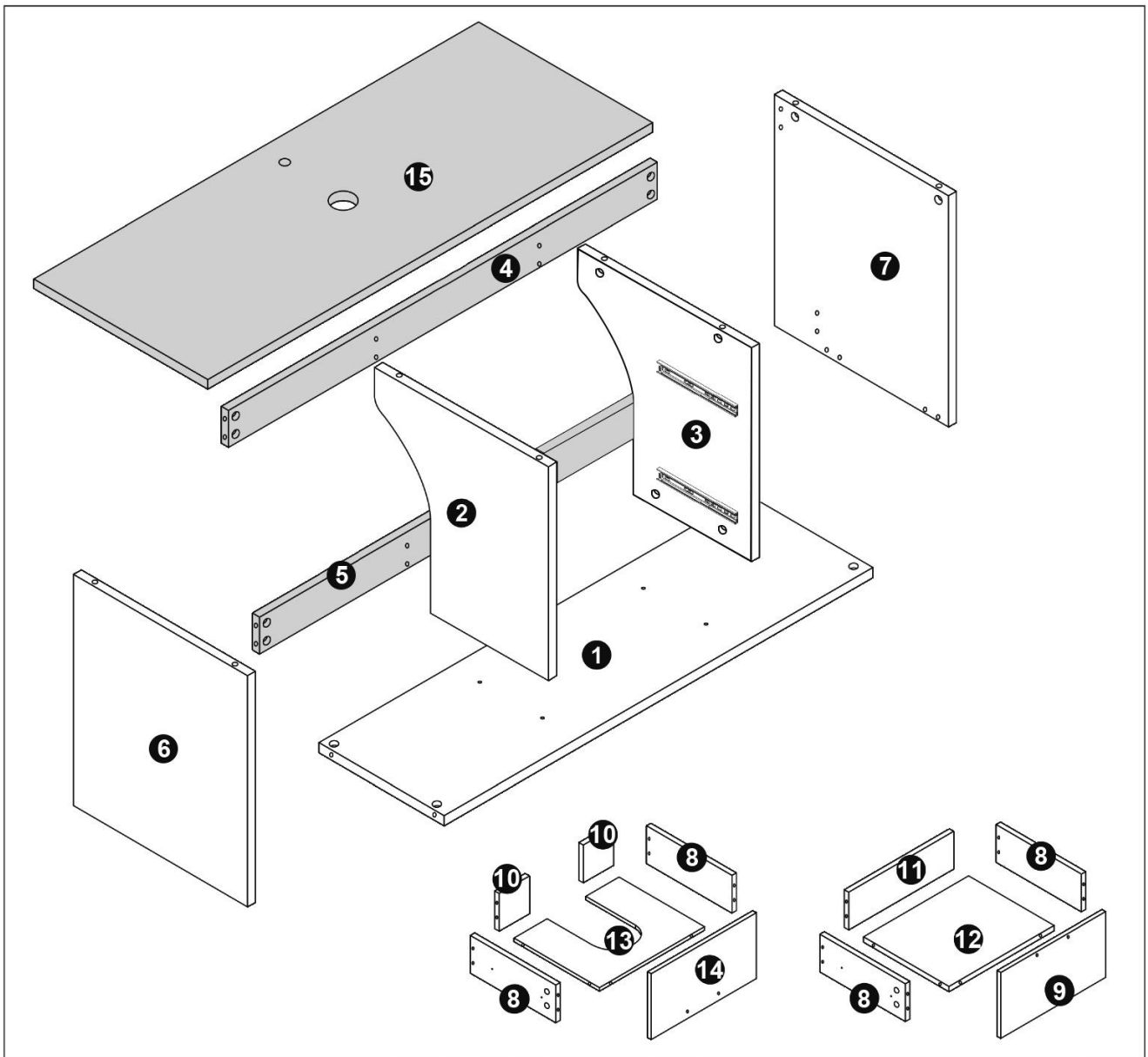
# Bathroom cabinet



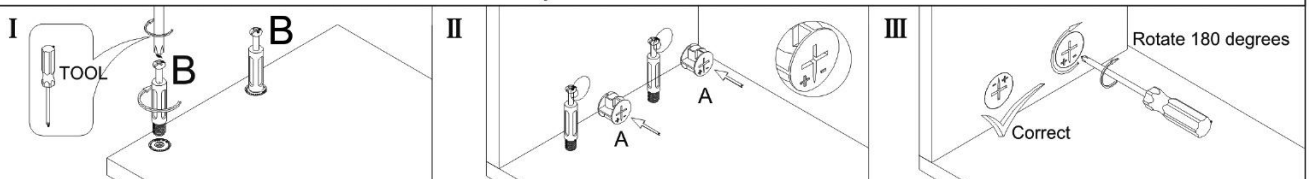
L996\*W475\*H450MM











## Installation Instructions

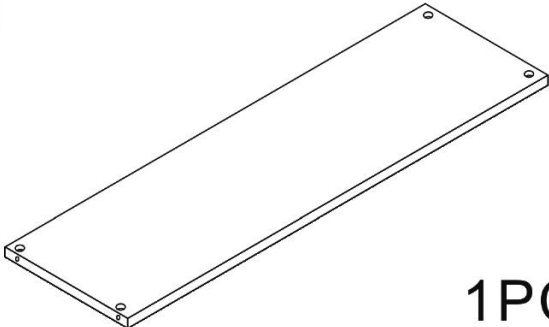
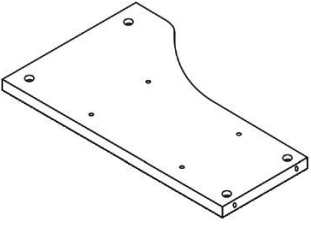
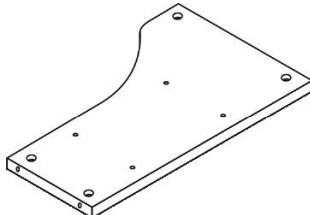
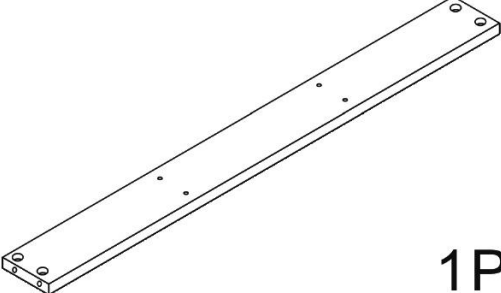
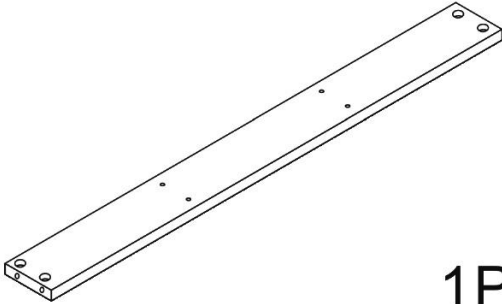
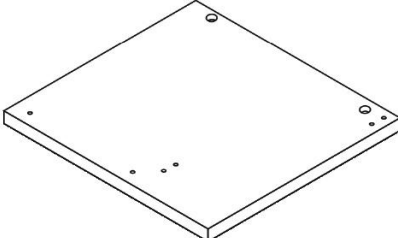
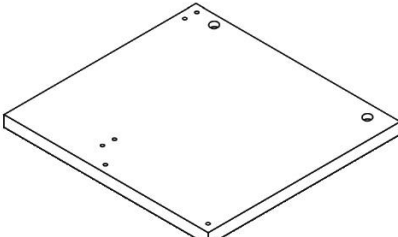
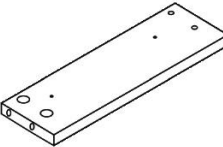
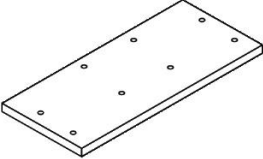

Notes: Don't tighten screws completely at first, just in case parts were assembled wrongly and need disassemble. Tighten screws at last when all parts are put together.



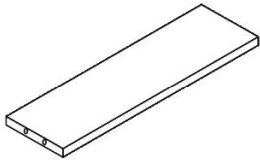
Disassembly and installation of accessories



<b>A</b> 36PCS  15*10mm	<b>B</b> 36PCS  6*28mm	<b>C</b> 53PCS  3.5*14mm	<b>D</b> 30PCS  3.5*35mm	<b>G</b> 4PCS  4*15mm	<b>H</b> 2PCS  128 handles
<b>I</b> 4PCS  Three-section Rail	<b>J</b> 4PCS  Expansion screw	<b>L</b> 2PCS  Corner code	<b>M</b> 2PCS  Pendant		

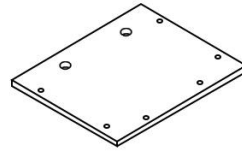
<p>1</p>  <p>1PC</p>	<p>2</p>  <p>1PC</p>
<p>3</p>  <p>1PC</p>	<p>4</p>  <p>1PC</p>
<p>5</p>  <p>1PC</p>	<p>6</p>  <p>1PC</p>
<p>7</p>  <p>1PC</p>	<p>8</p>  <p>4PC</p>
<p>9</p>  <p>1PC</p>	<p>10</p>  <p>2PCS</p>

11



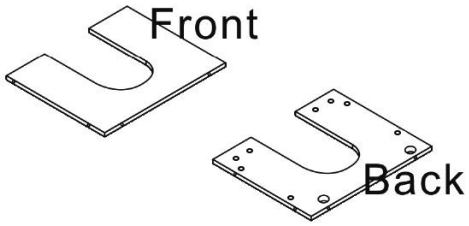
1PC

12



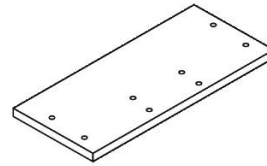
1PC

13



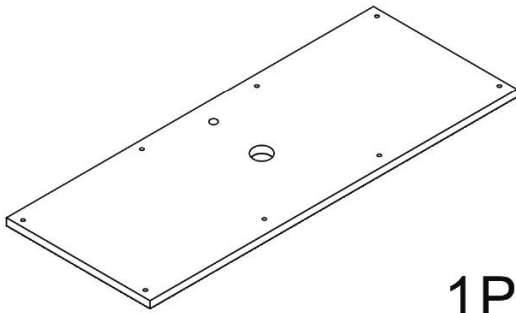
1PC

14



1PC

15

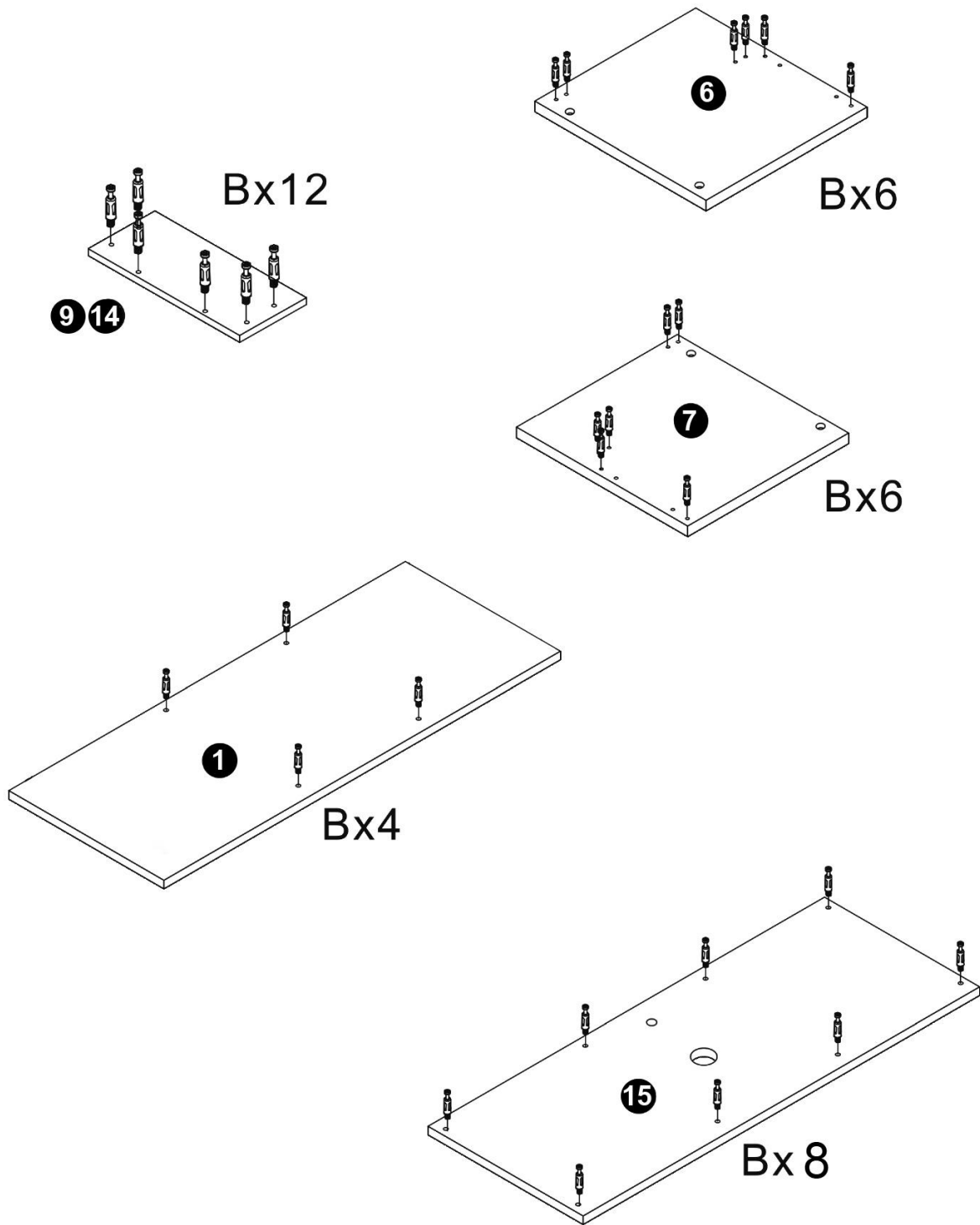



1PC

19

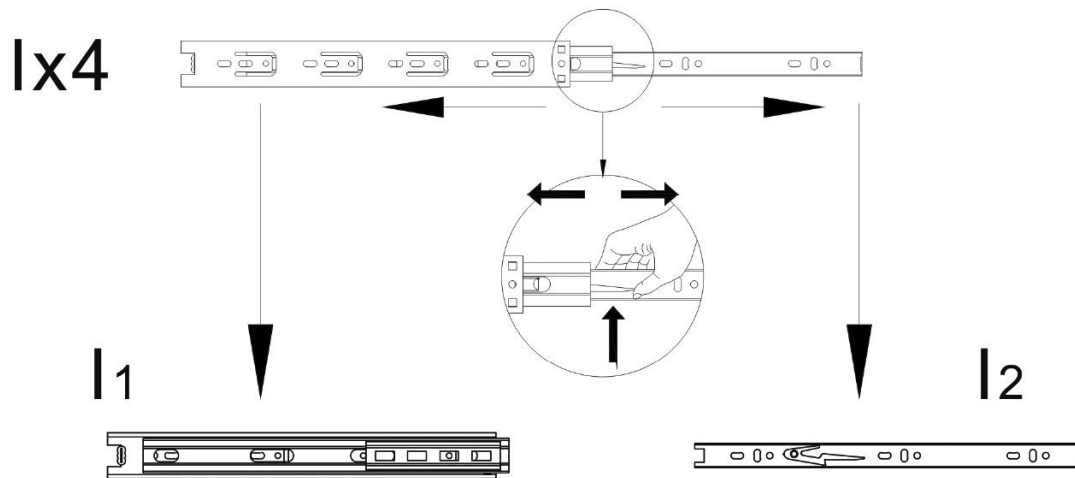
20


1



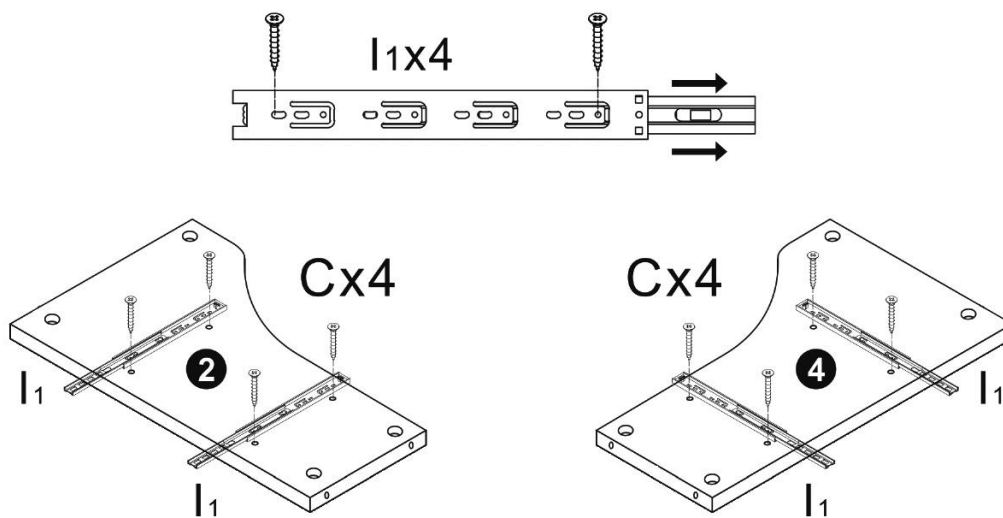
<b>B</b>	36PCS
	
6*28mm	


2




I <sub>1</sub>	4PCS
	
Three-section Rail	

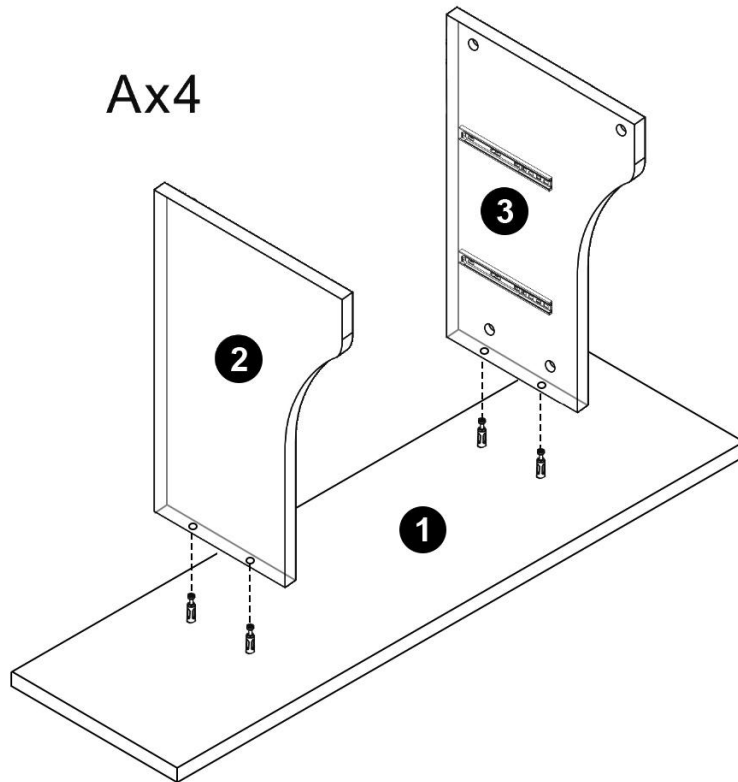
3




C	8PCS
	
3.5*14mm	

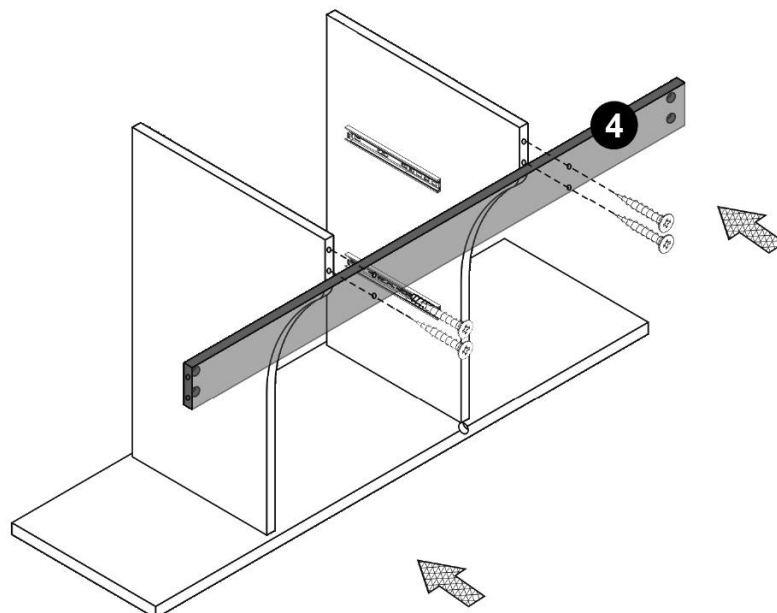
I <sub>1</sub>	4PCS
	
12 inch Three-section Rail	


4



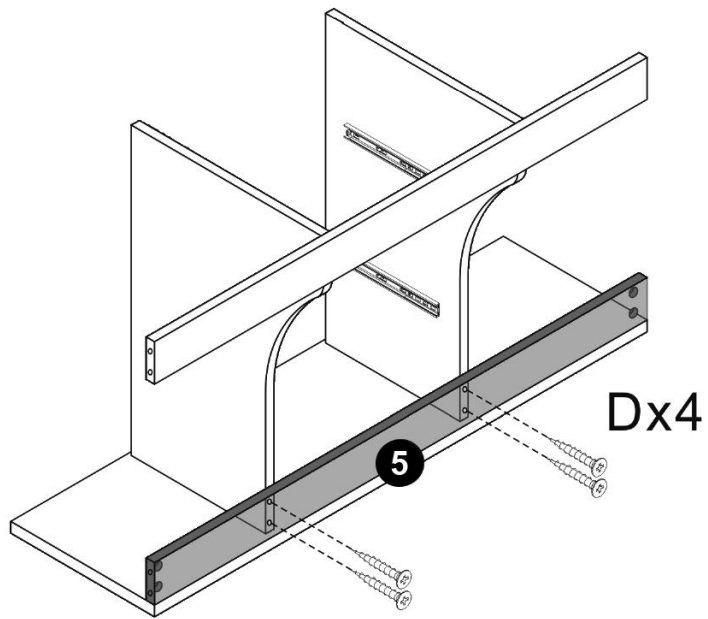
A	4PCS
	
15*10mm	


5



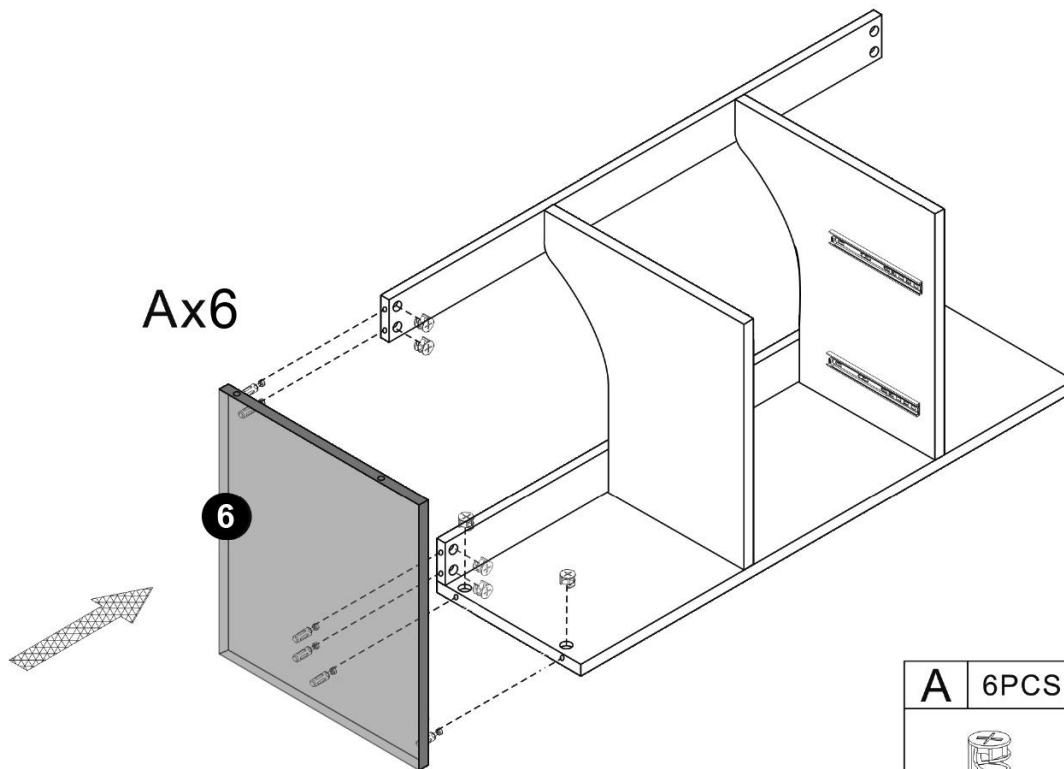
D	4PCS
	
3.5*35mm	


6



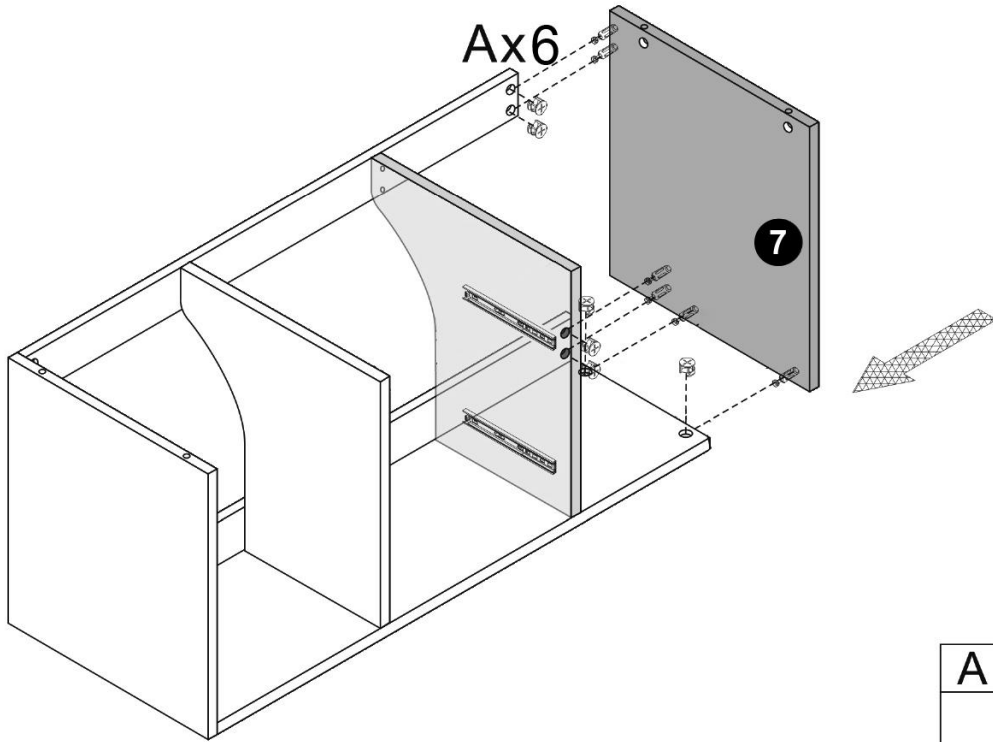
D	4PCS
	
3.5*35mm	


7



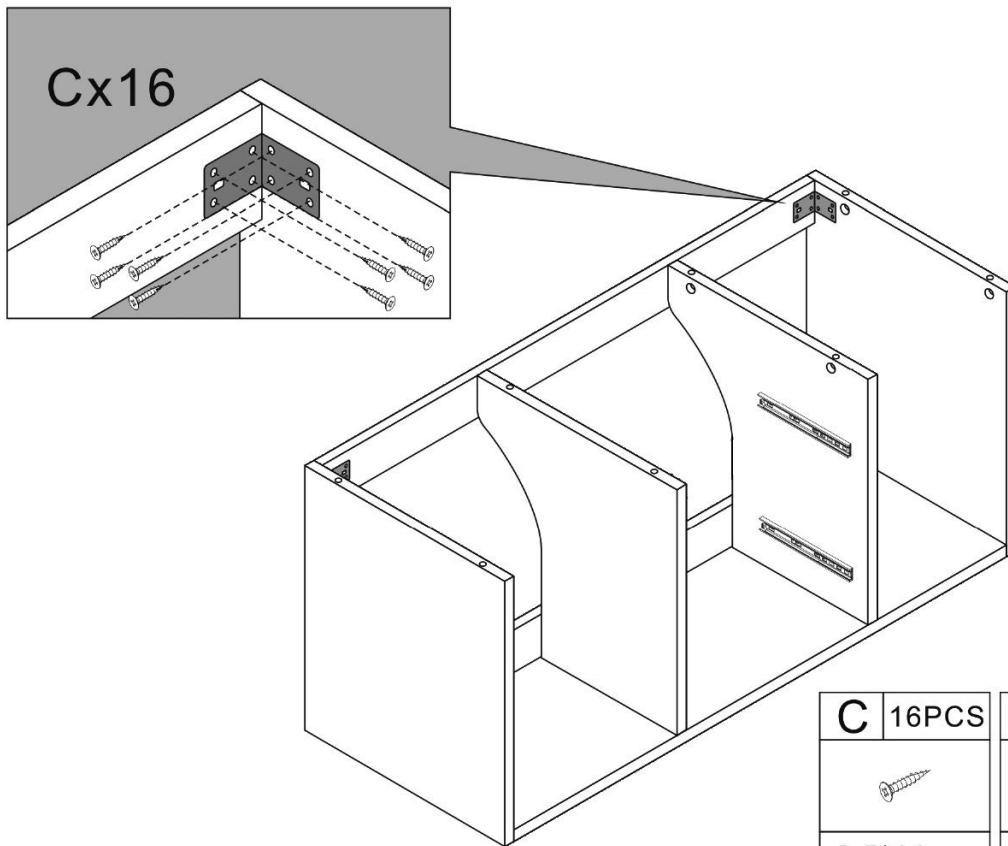
A	6PCS
	
15*10mm	


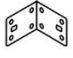
8



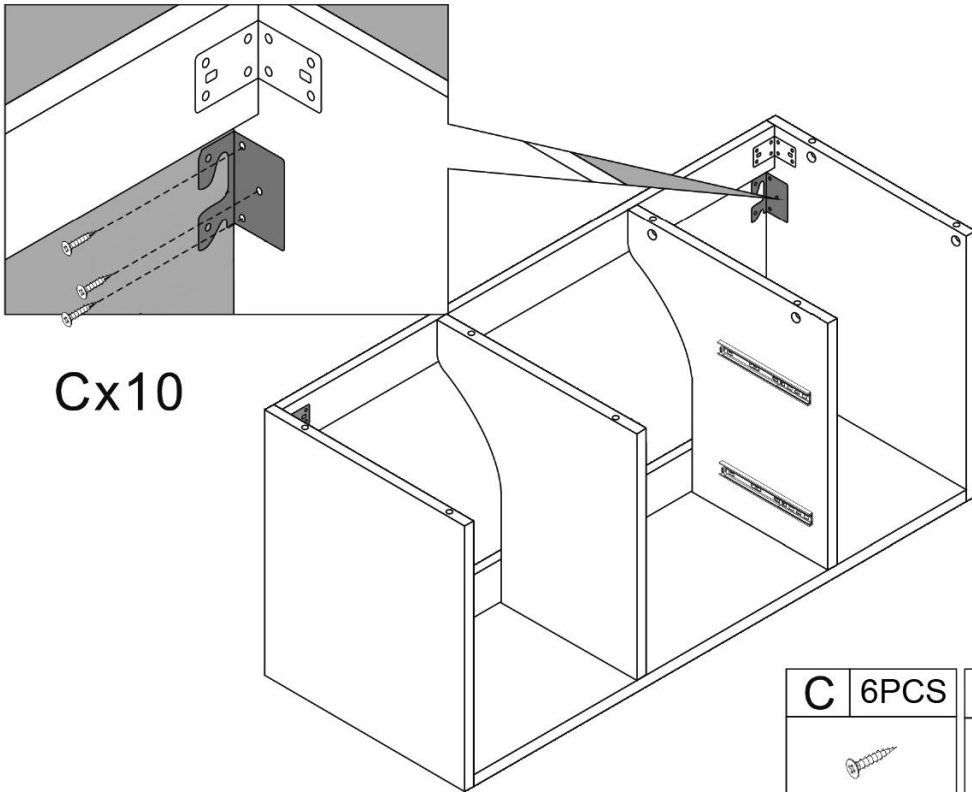
<b>A</b>	6PCS
	
15*10mm	

9





<b>C</b>	16PCS	<b>L</b>	2PCS
			
3.5*14mm		Corner code	

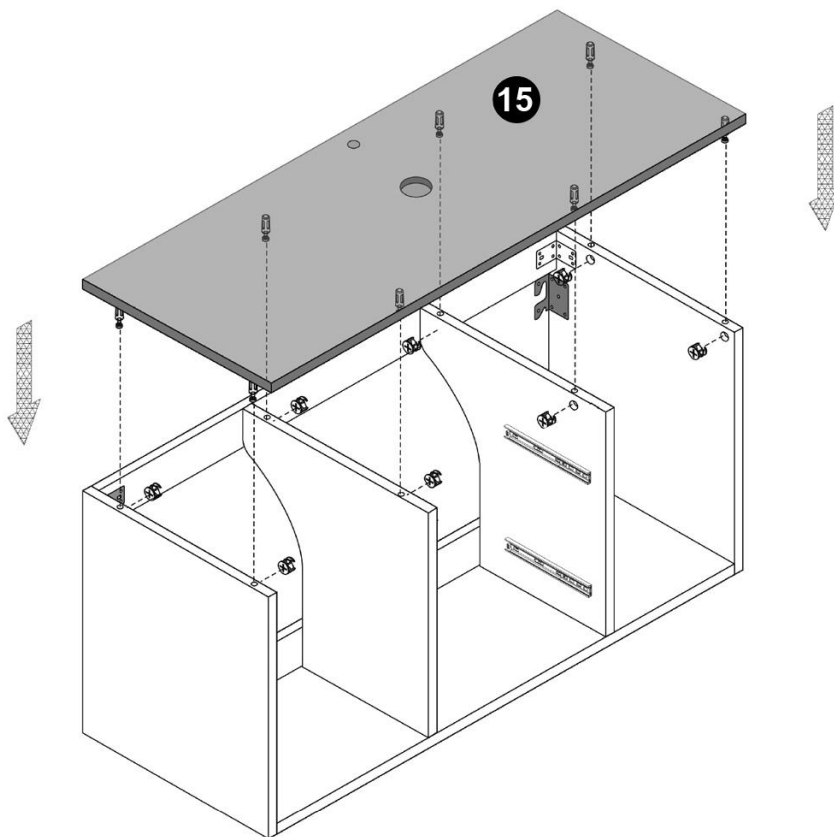
10




Cx10

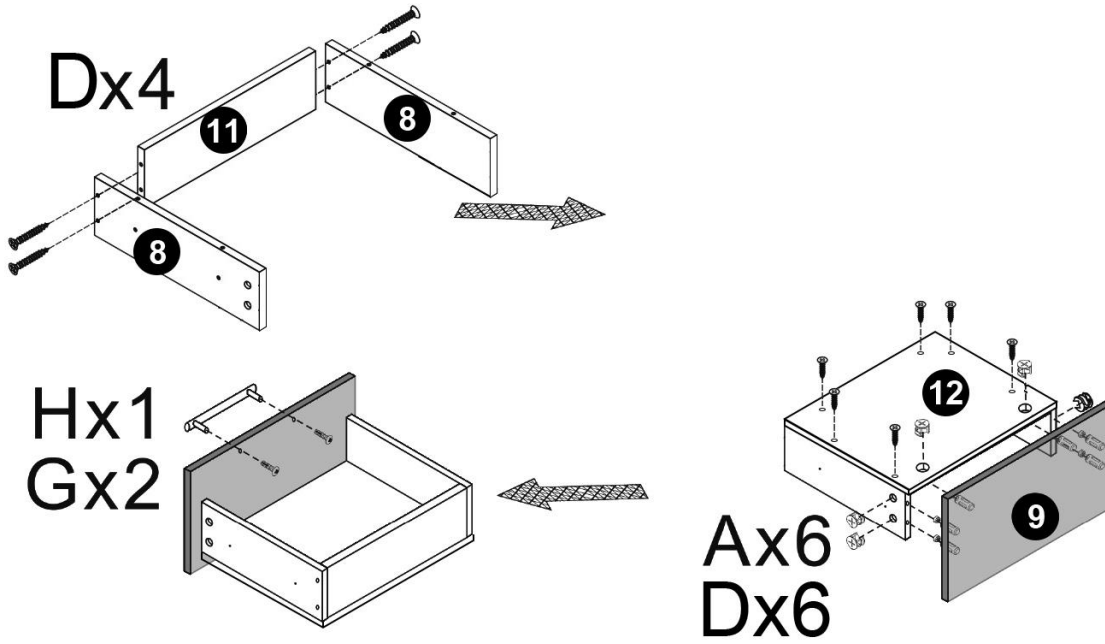
<b>C</b>	6PCS	<b>M</b>	2PCS
			
3.5*14mm		Pendant	




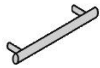
11



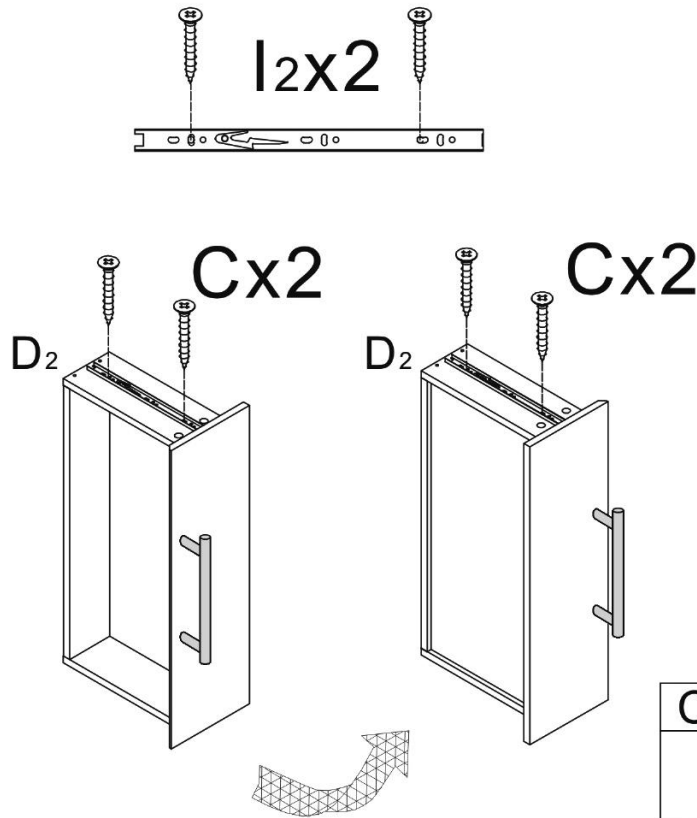
<b>A</b>	8PCS
	
15*10mm	



12

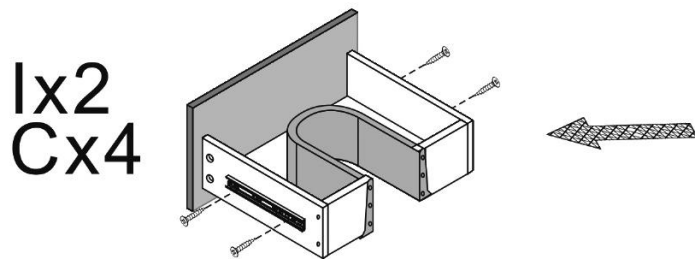
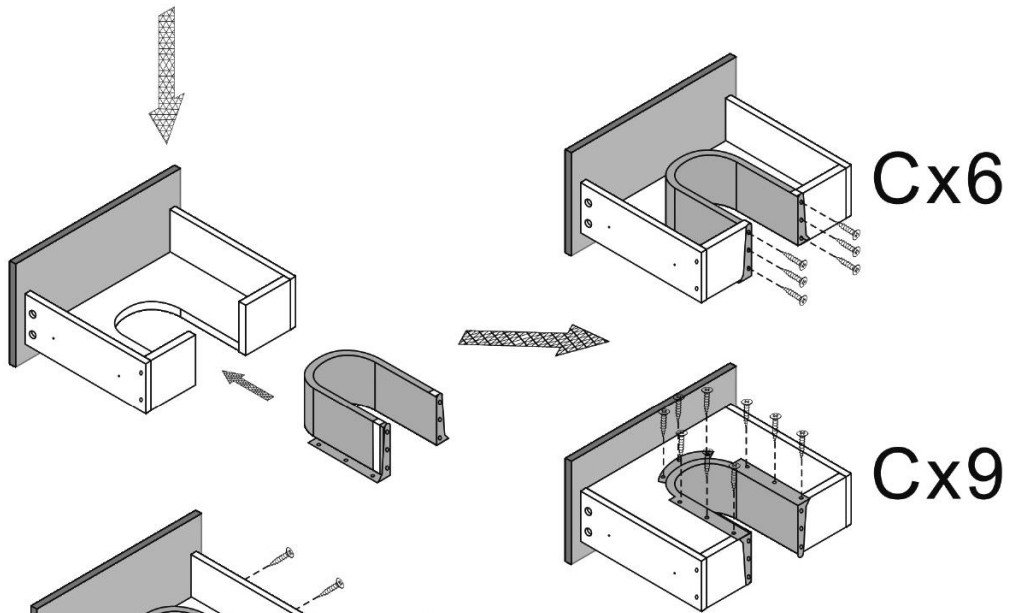
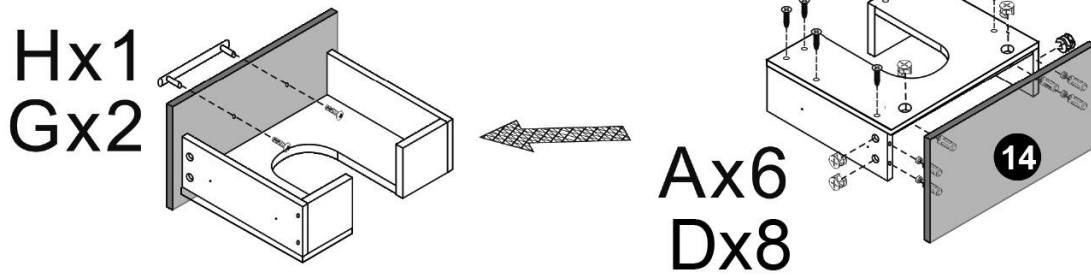
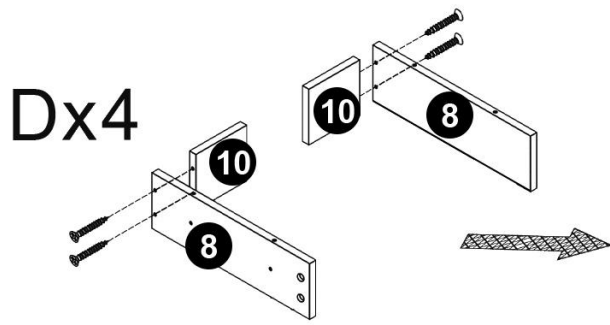








<b>A</b>	6PCS	<b>D</b>	10PCS	<b>G</b>	2PCS	<b>H</b>	1PCS
							
15*10mm		3.5*35mm		4*15mm		128 handles	

13

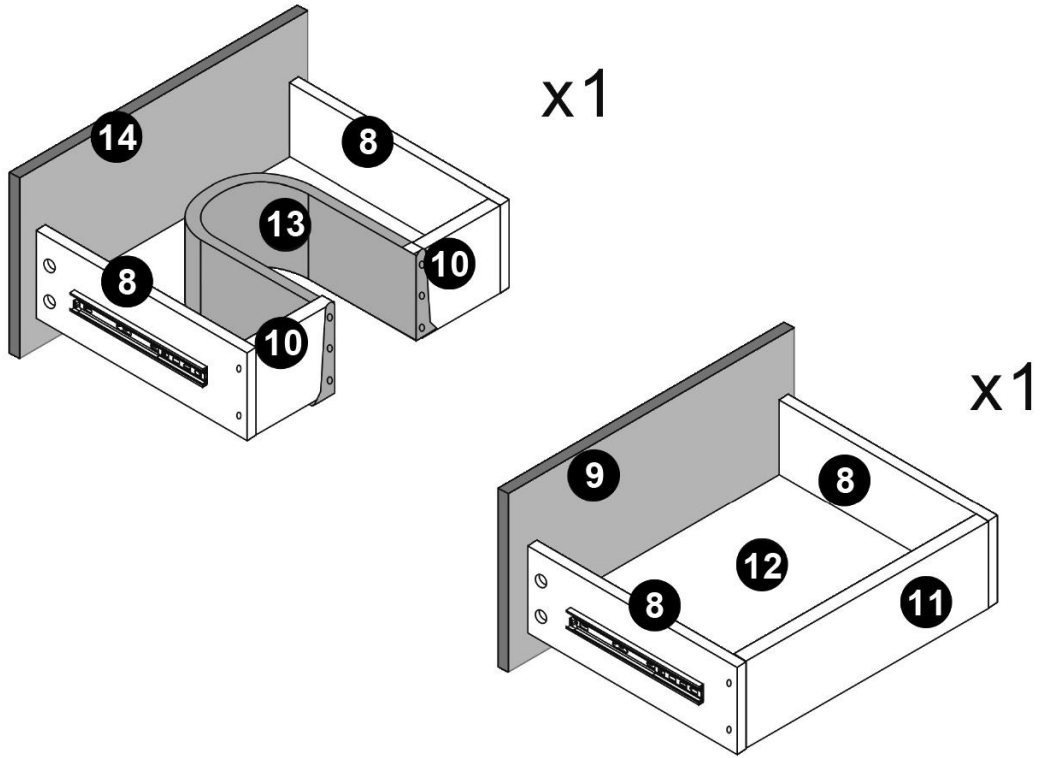


<b>C</b>	4PCS	<b>I</b>	2PCS
			
3.5*14mm		Three-section Rail	

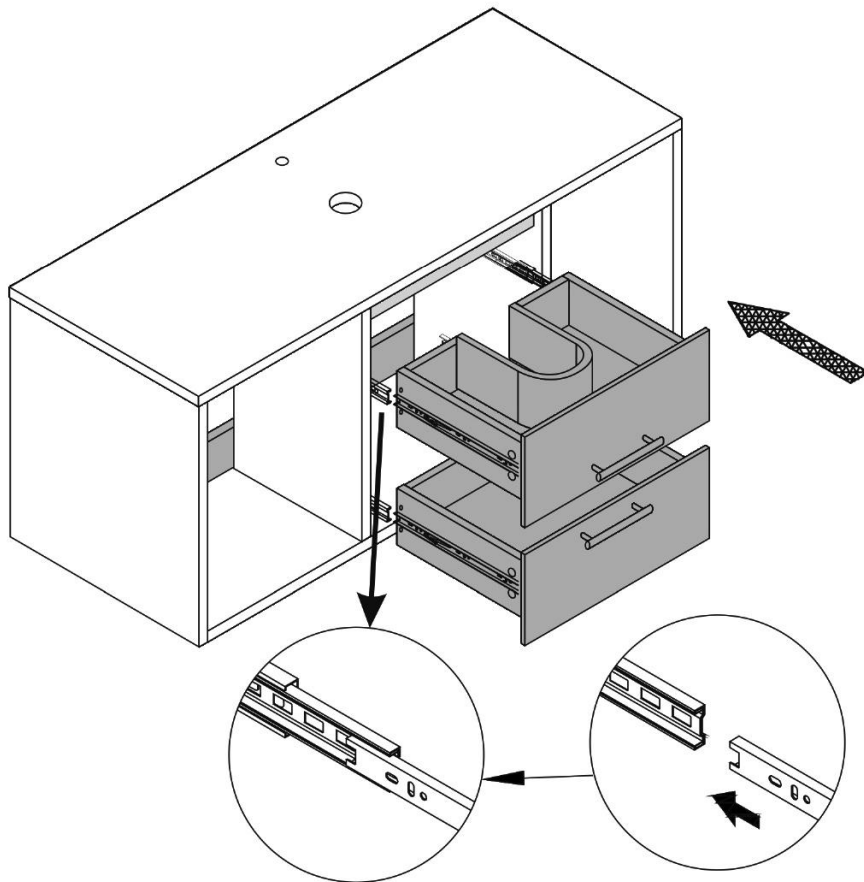


<b>A</b> 6PCS	<b>C</b> 19PCS	<b>D</b> 12PCS	<b>G</b> 2PCS	<b>H</b> 1PCS	<b>I</b> 2PCS
					
15*10mm	3.5*14mm	3.5*35mm	4*15mm	128 handles	Three-section Rail

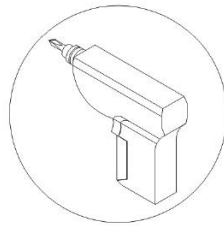
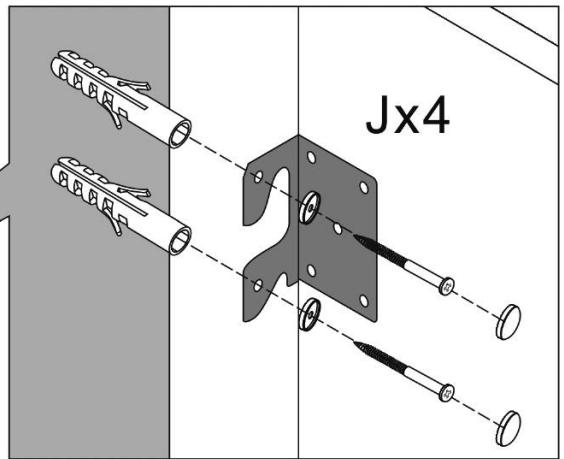
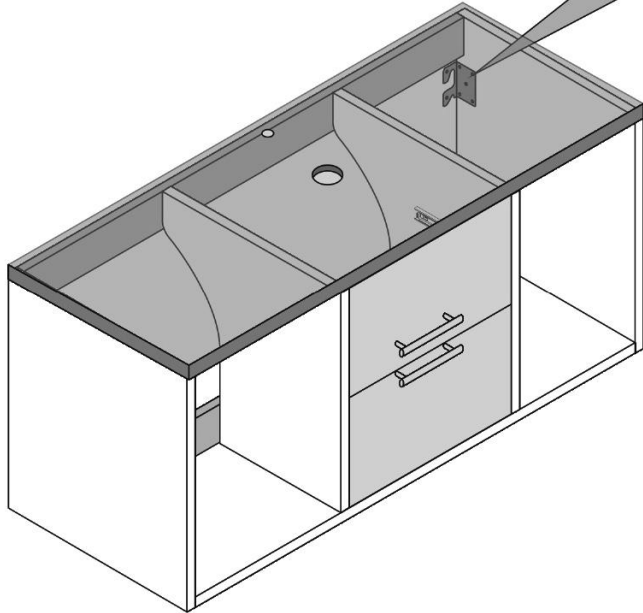
15



16

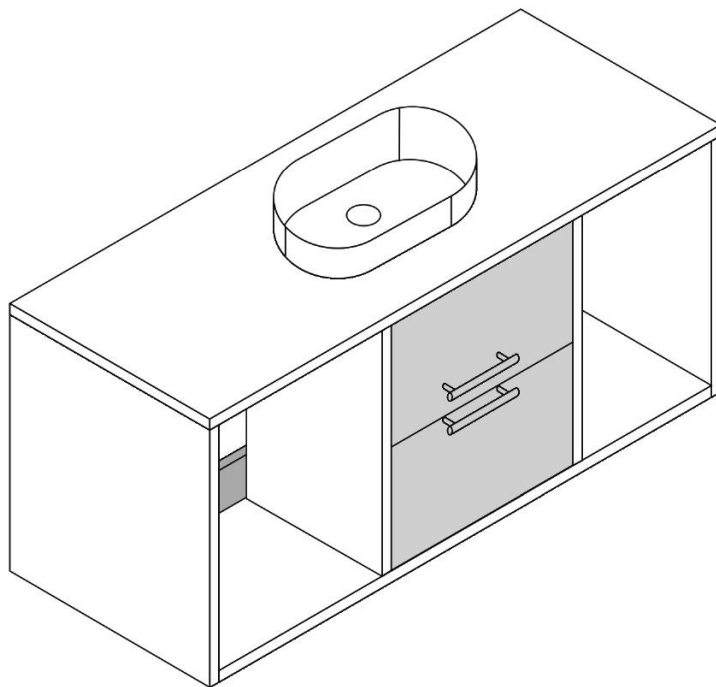


17



J	4PCS
Expansion screw	

18



OK