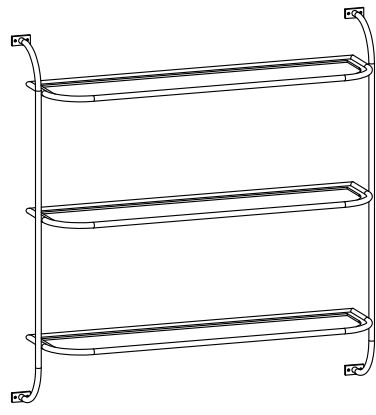
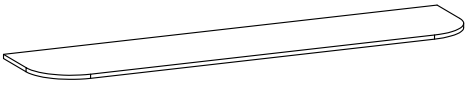
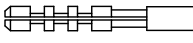


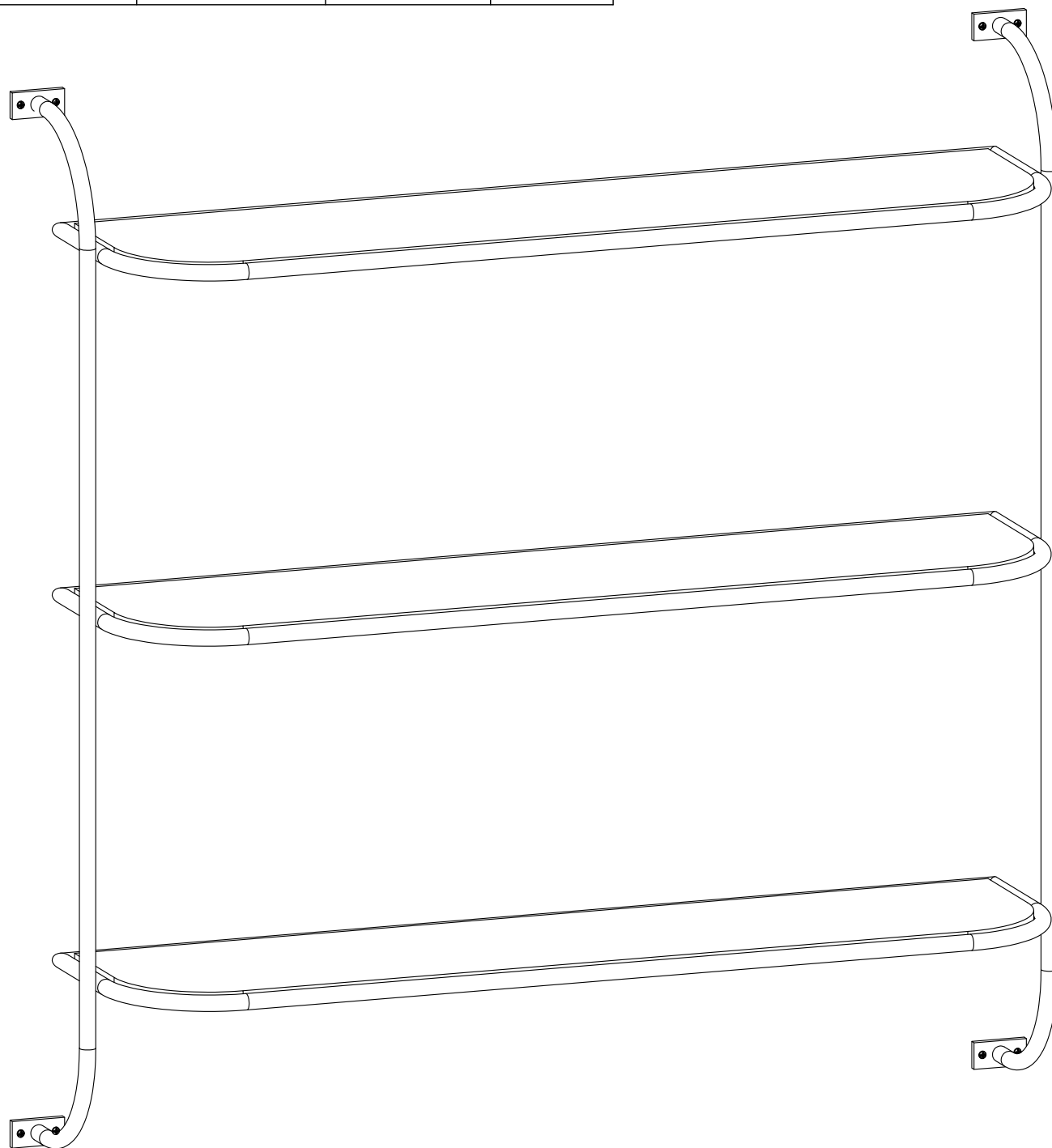


ASSEMBLY INSTRUCTION

Product Description: Swinton Shelf

Hardware/Component List :

No.	Hardware/Component		Size	Quantity.
1		Iron Structure		1
2		Glass		3
3		Anchor	Ø8X50mm	8
4		Allen Screw	M6X50mm	8
5		Allen Key	4mm	1

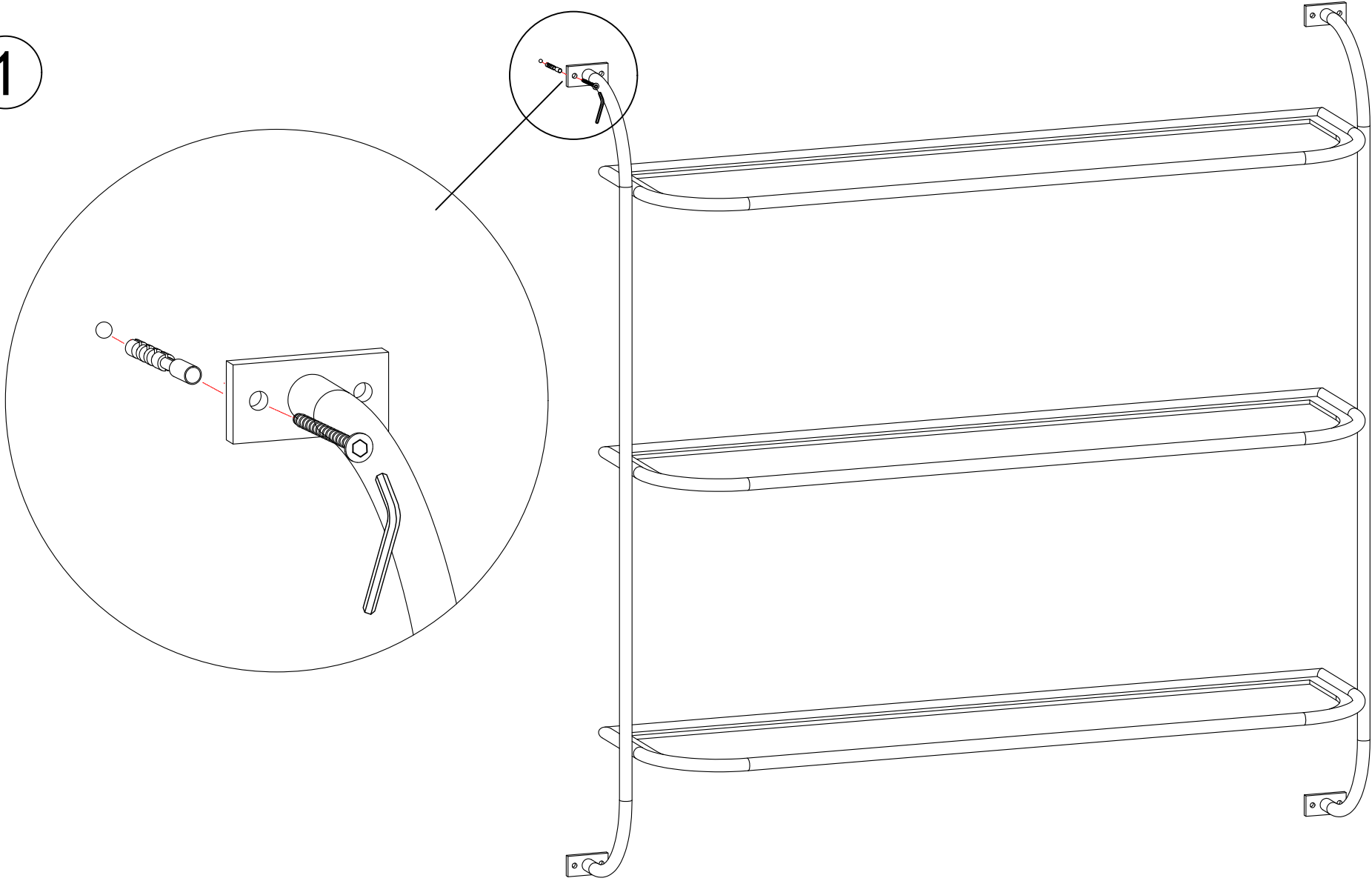


CAUTION : Please do not over tighten bolts / screw.

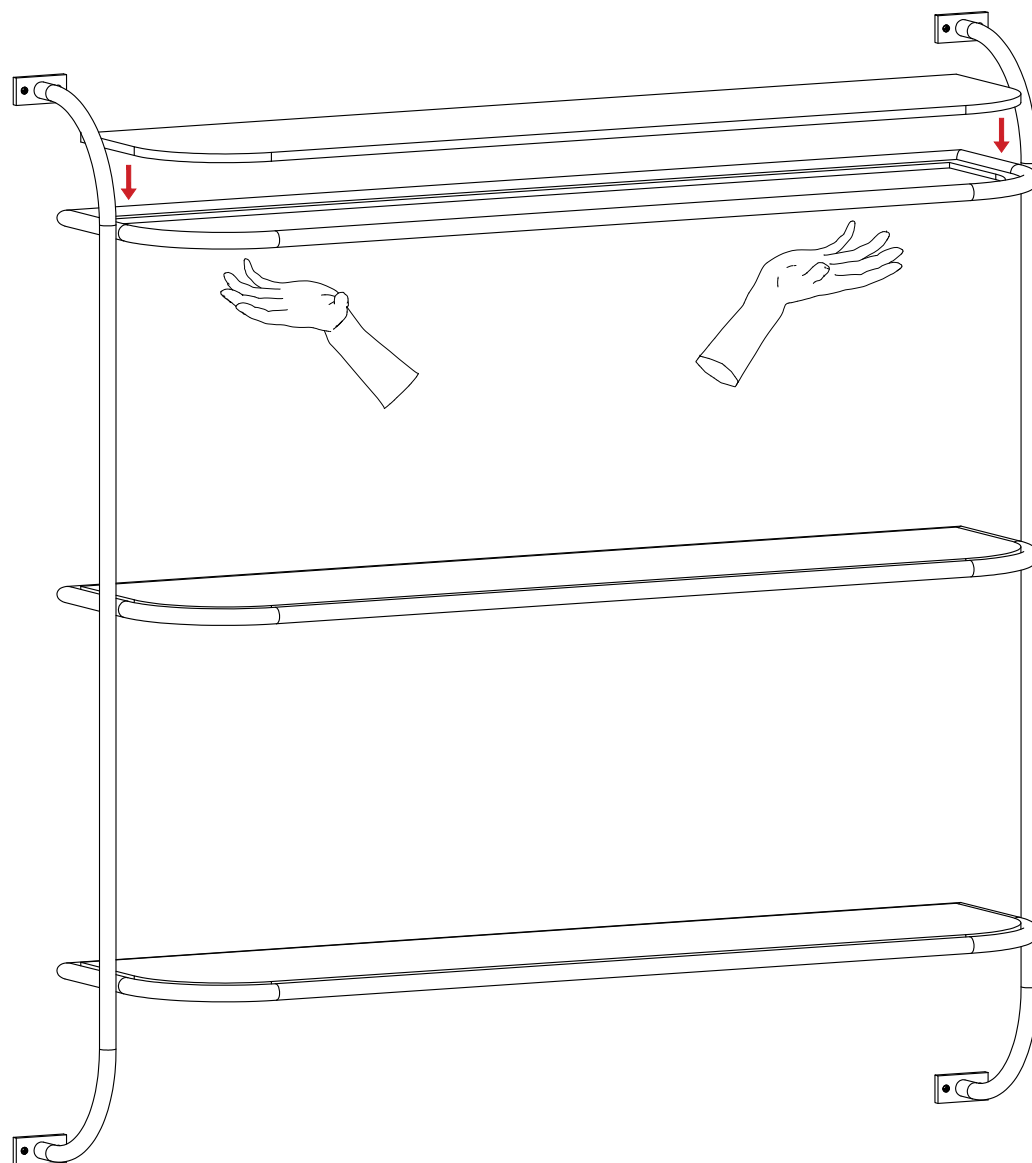
ASSEMBLY INSTRUCTION

Product Description: Swinton Shelf

1



2



CAUTION : Please do not over tighten bolts / screw.