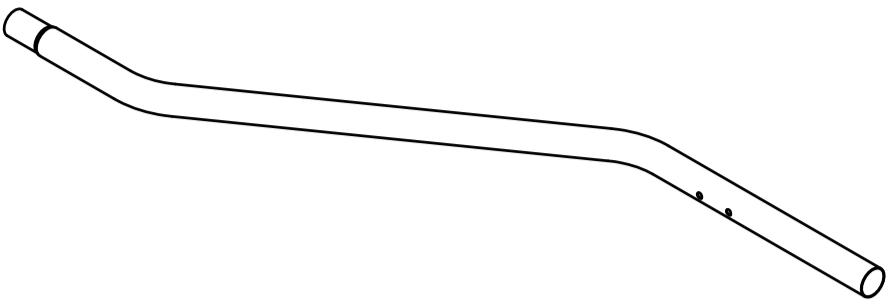
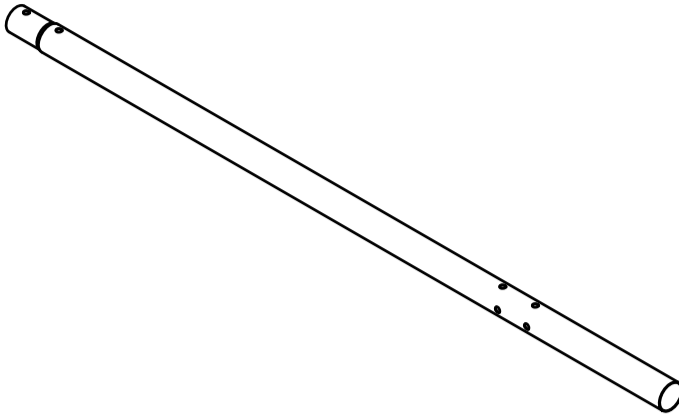
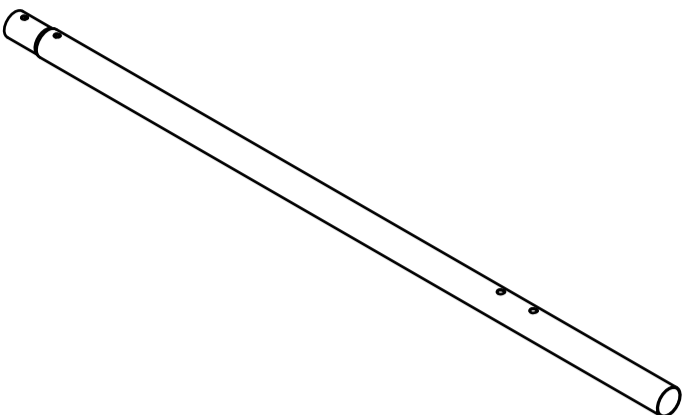
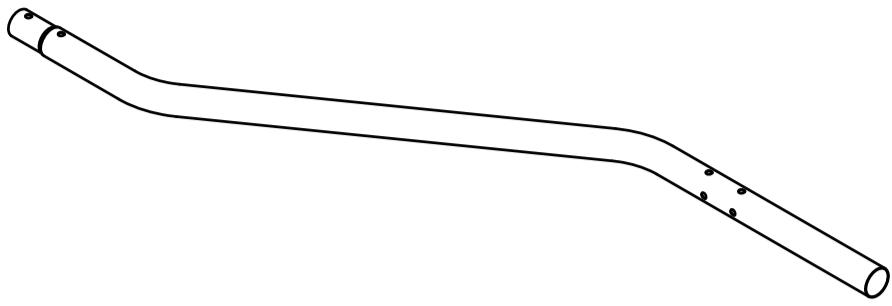
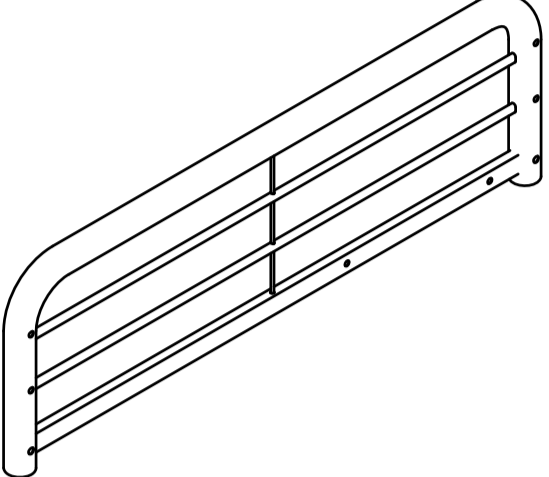
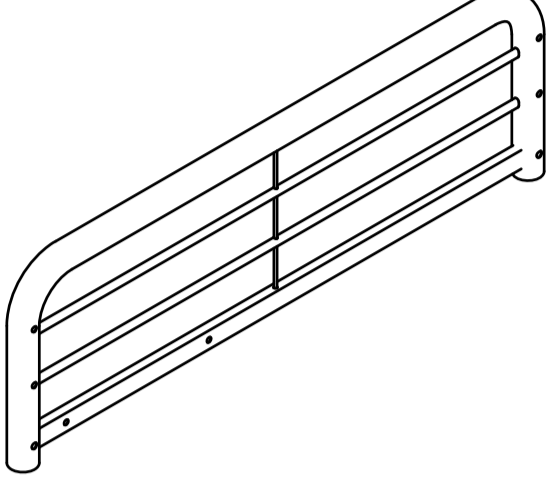
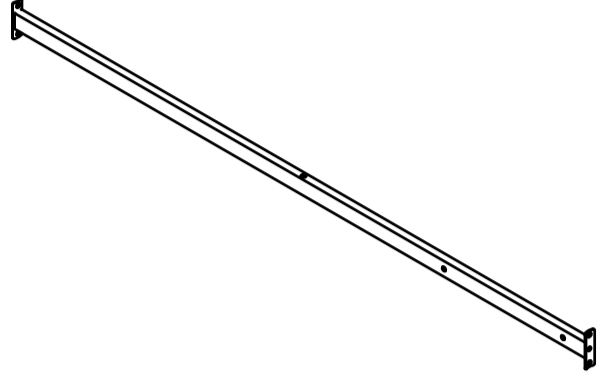
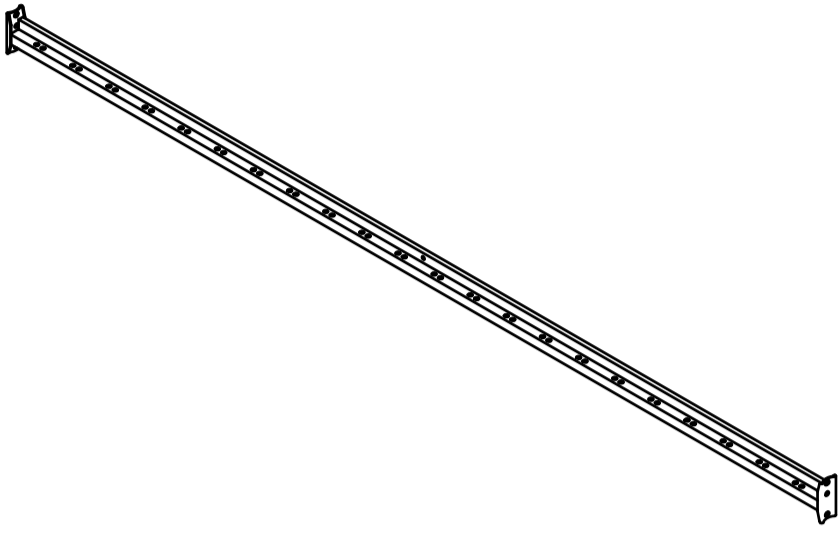
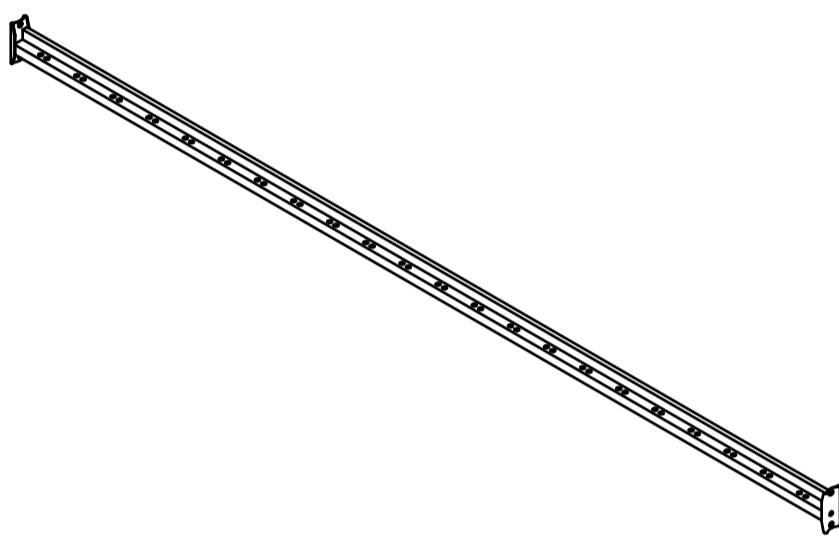
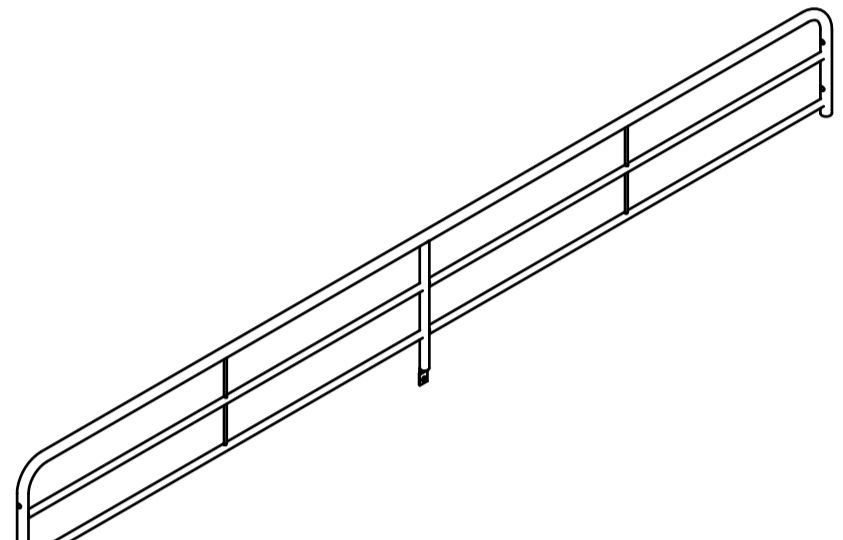
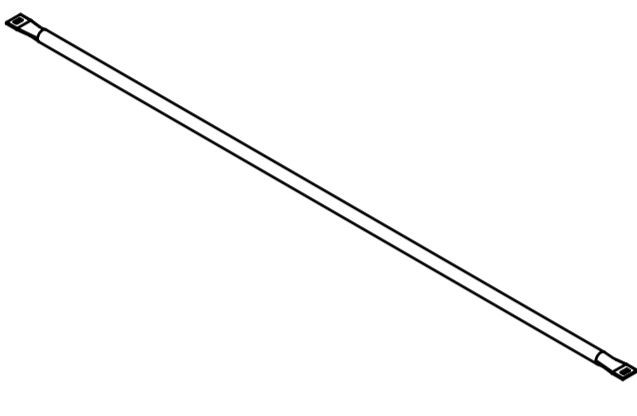
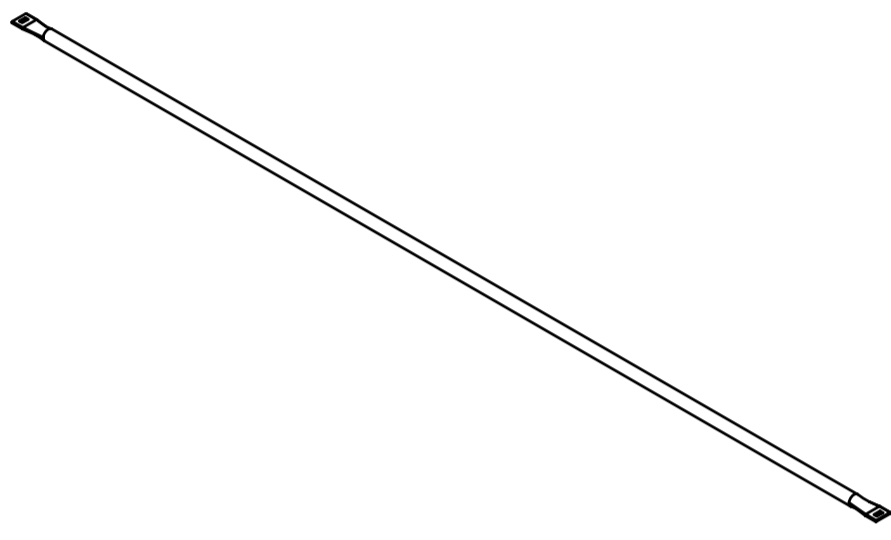
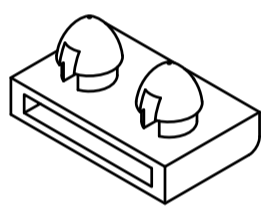
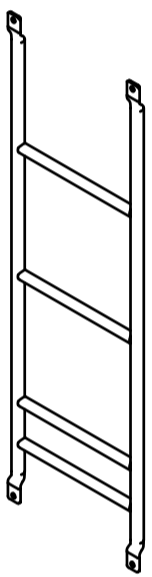
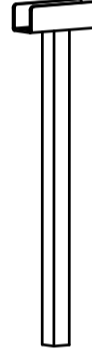
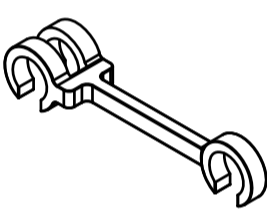
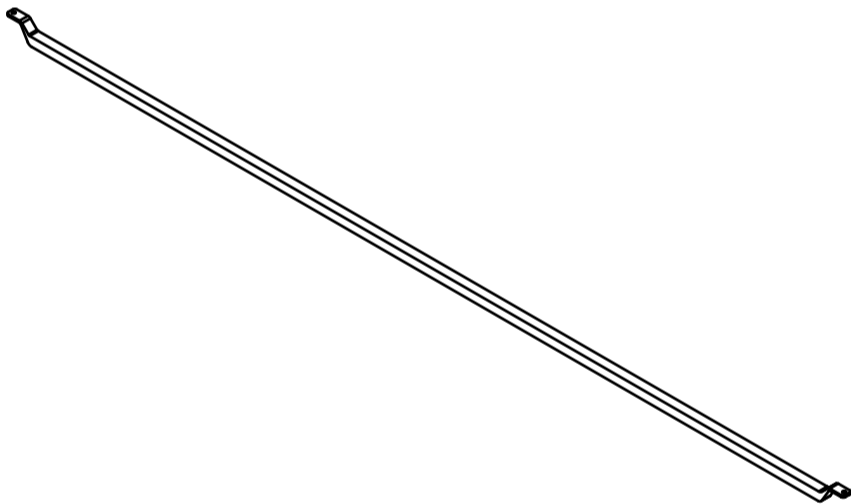
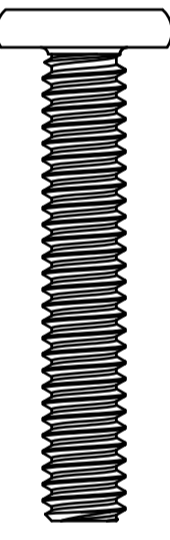
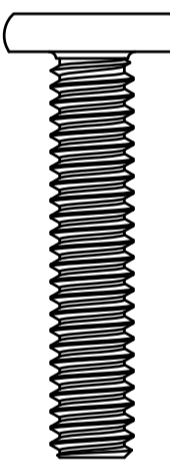
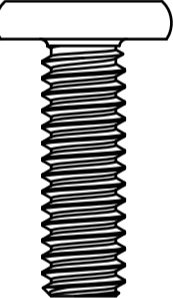
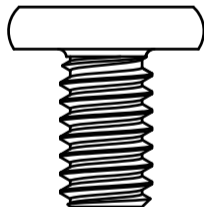

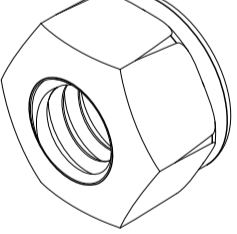

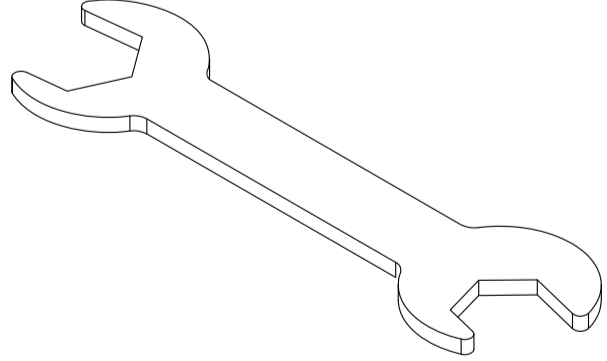
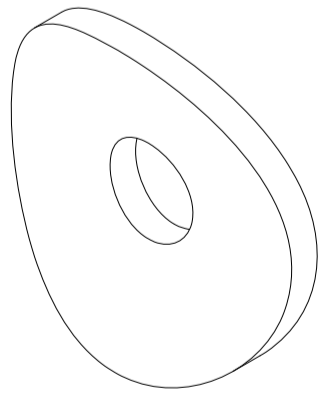
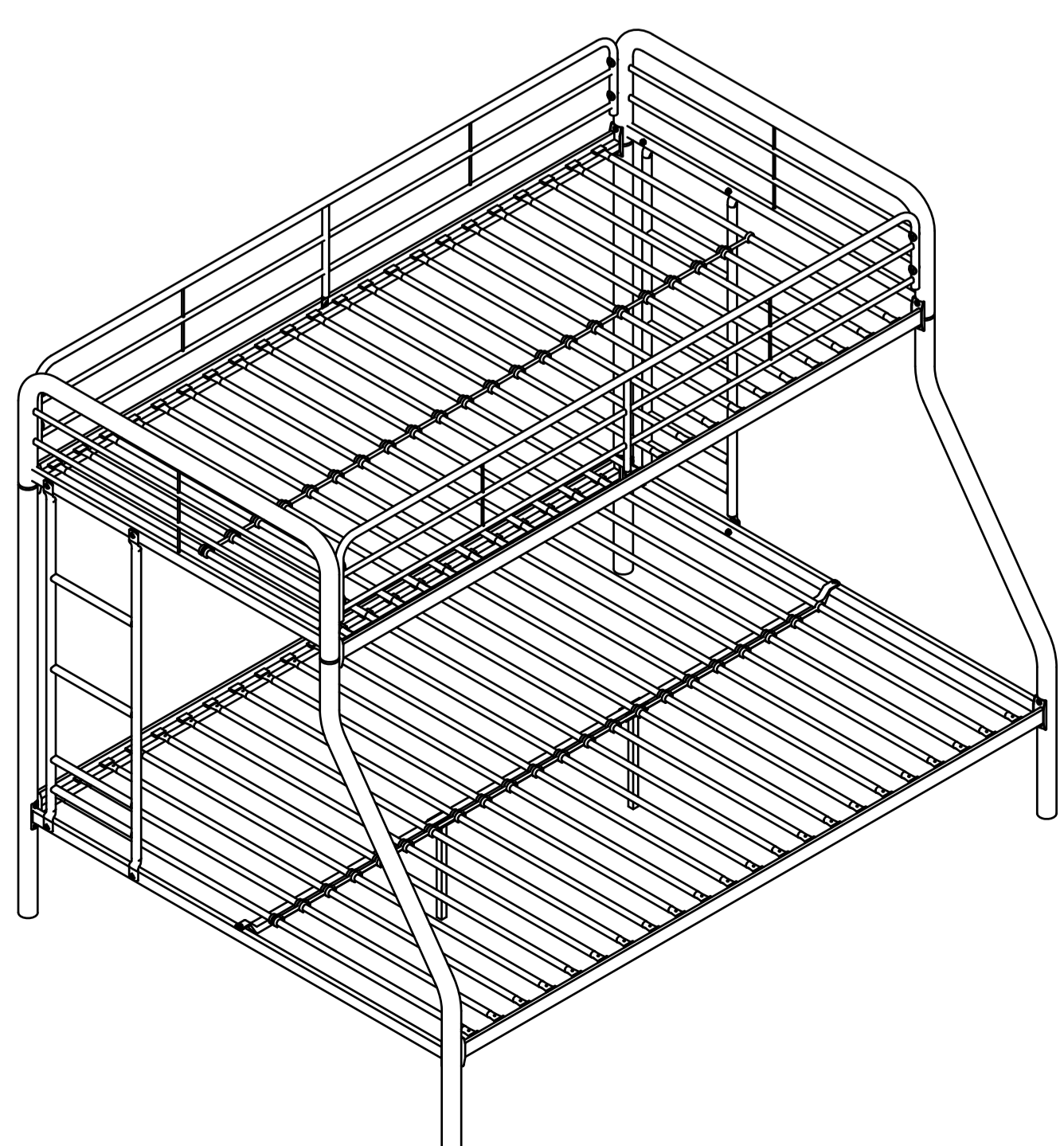


ASSEMBLY INSTRUCTION

TWIN FULL BUNK BED

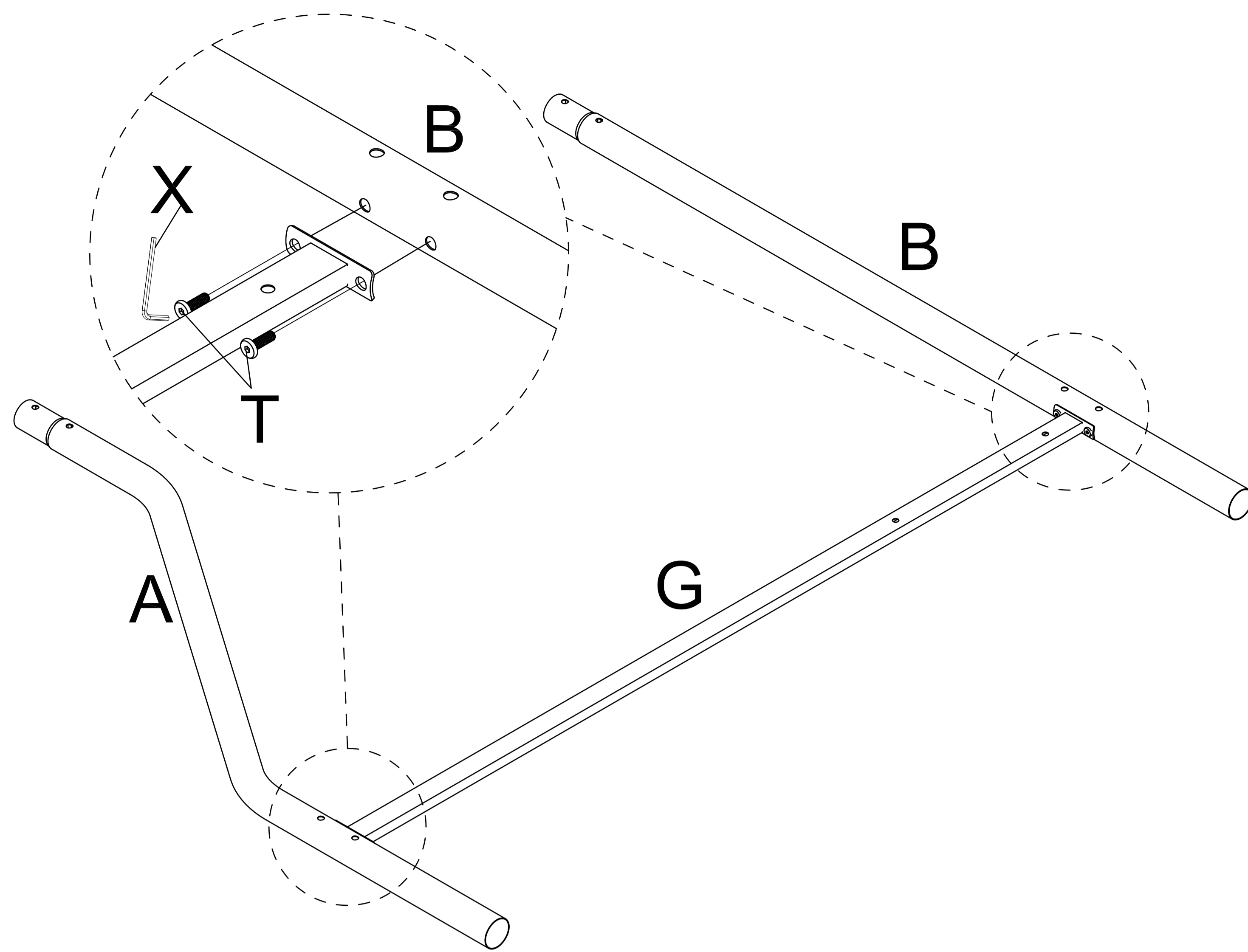
A Post	B Post	C Post	D Post
			
E 1PC Upper Guardrail	F 1PC Upper Guardrail	G 1PC Support Bar	H 1PC Upper Rail
			
I 1PC Lower Rail	J 1PC Upper Guardrail	K 2PCS Upper Slat	L 2PCS Lower Slat
			
M 2PCS Slat Connector	N 2PCS Ladder	O 22PCS Support Leg	P 22PCS Slat Spacer
			
Q 88PCS Center Support Rail	R 2PCS Bolt 1/4"*35mm	S 2PCS Bolt 1/4"*27mm	T 42PCS Bolt 1/4"*16mm
			
U 1PC Bolt 1/4"*10mm	V 8PCS Bolt M4*14mm	W 8PCS Nut 1/4"	X 28PCS L-Allen Key 4mm
			
Y 2PCS Wrench 5/16" - 1/4"	Z 2PCS Washer ø16*ø 6.5 mm		
			
1PC	8PCS		



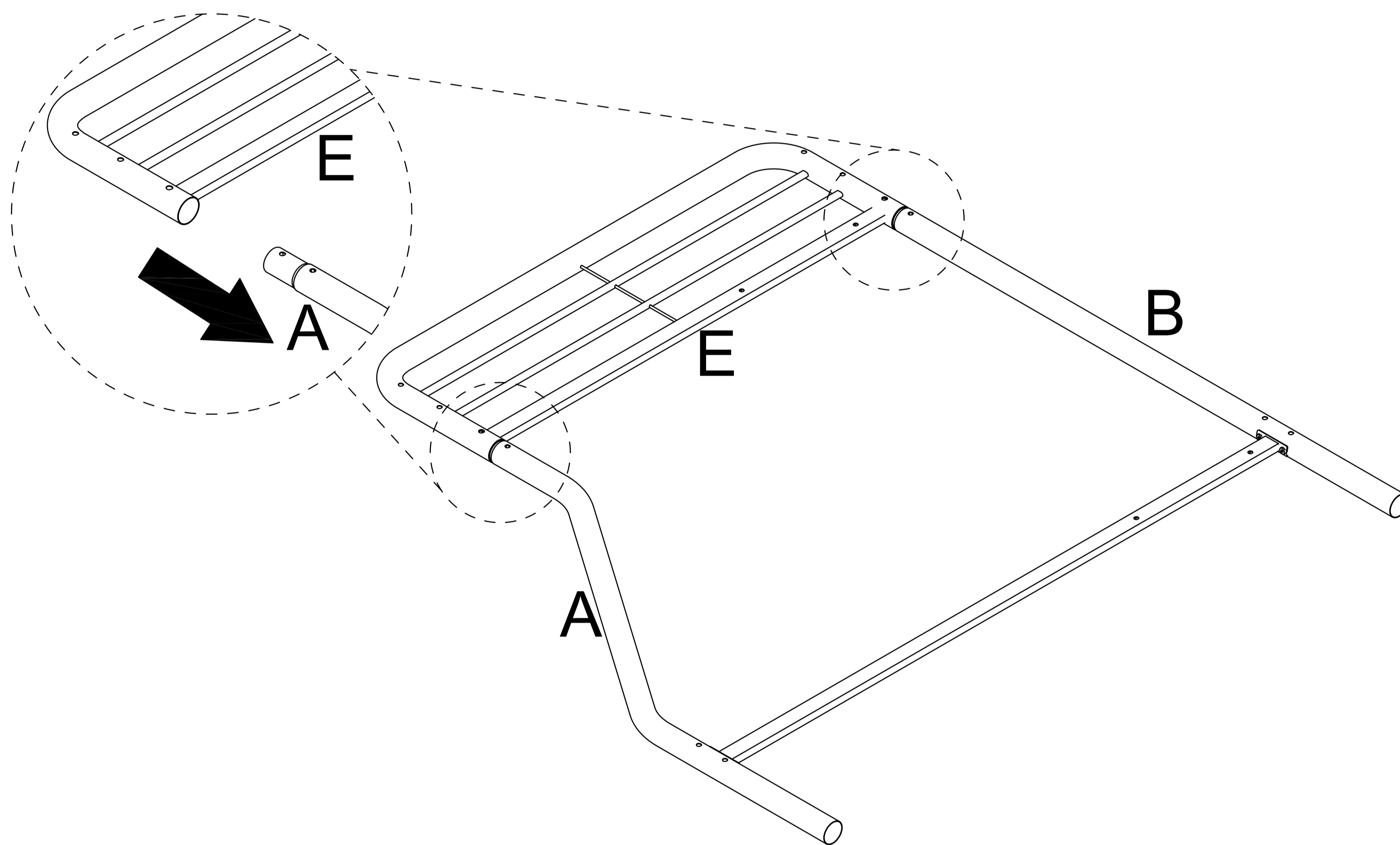
This page lists all the contents included in the box. Please take the time to identify the hardware as well as the individual components to this product. As you unpack and prepare for assembly, place the contents on a carpeted or padded area to protect them from damage.

1

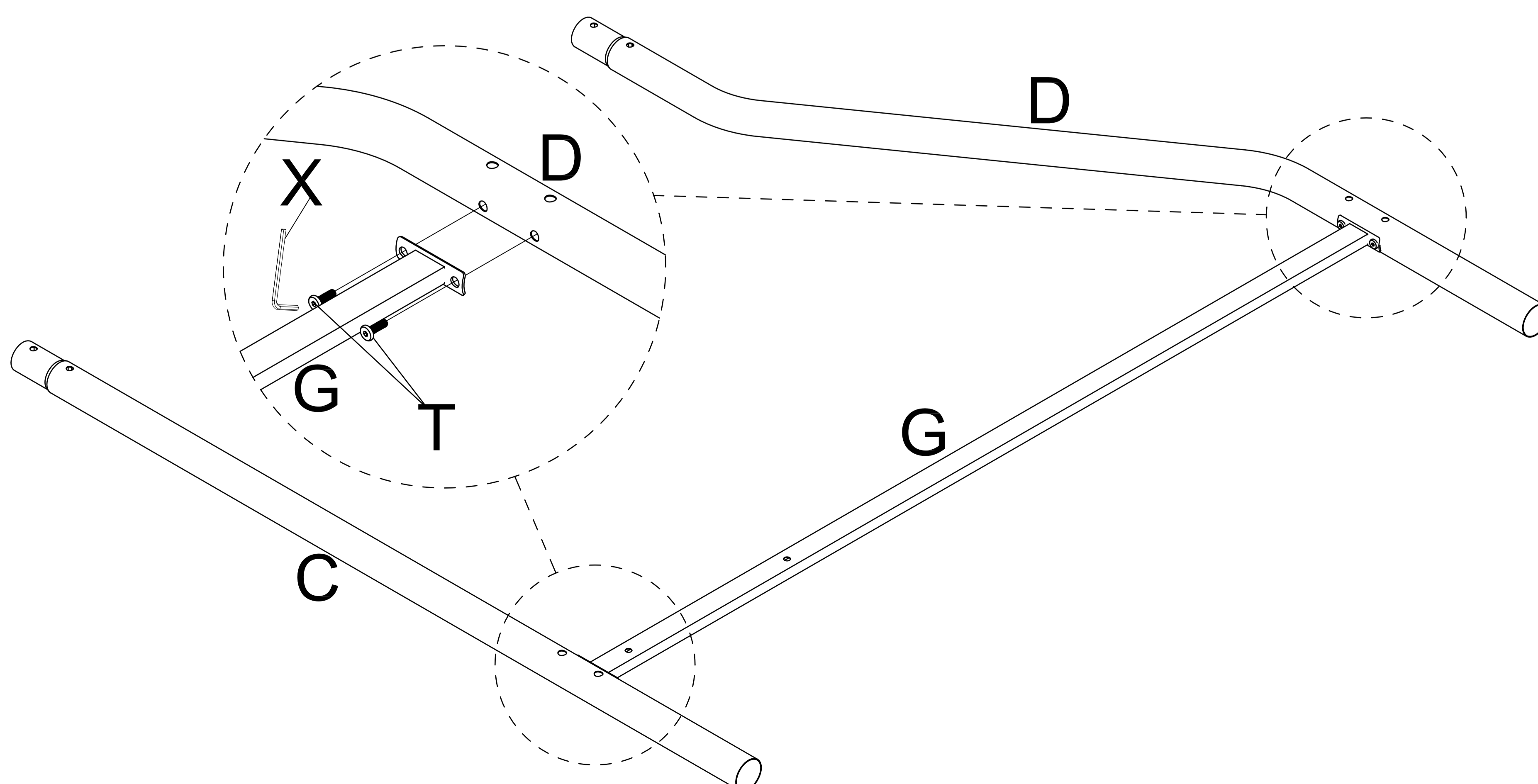
Attach the Support Bar (G) to the Post (A) and Post (B), insert the Bolt (T), turn the L-Allen Key (X) to tighten them.

**2**

Insert the Upper Guardrail (E) to the Post (A) and Post (B).

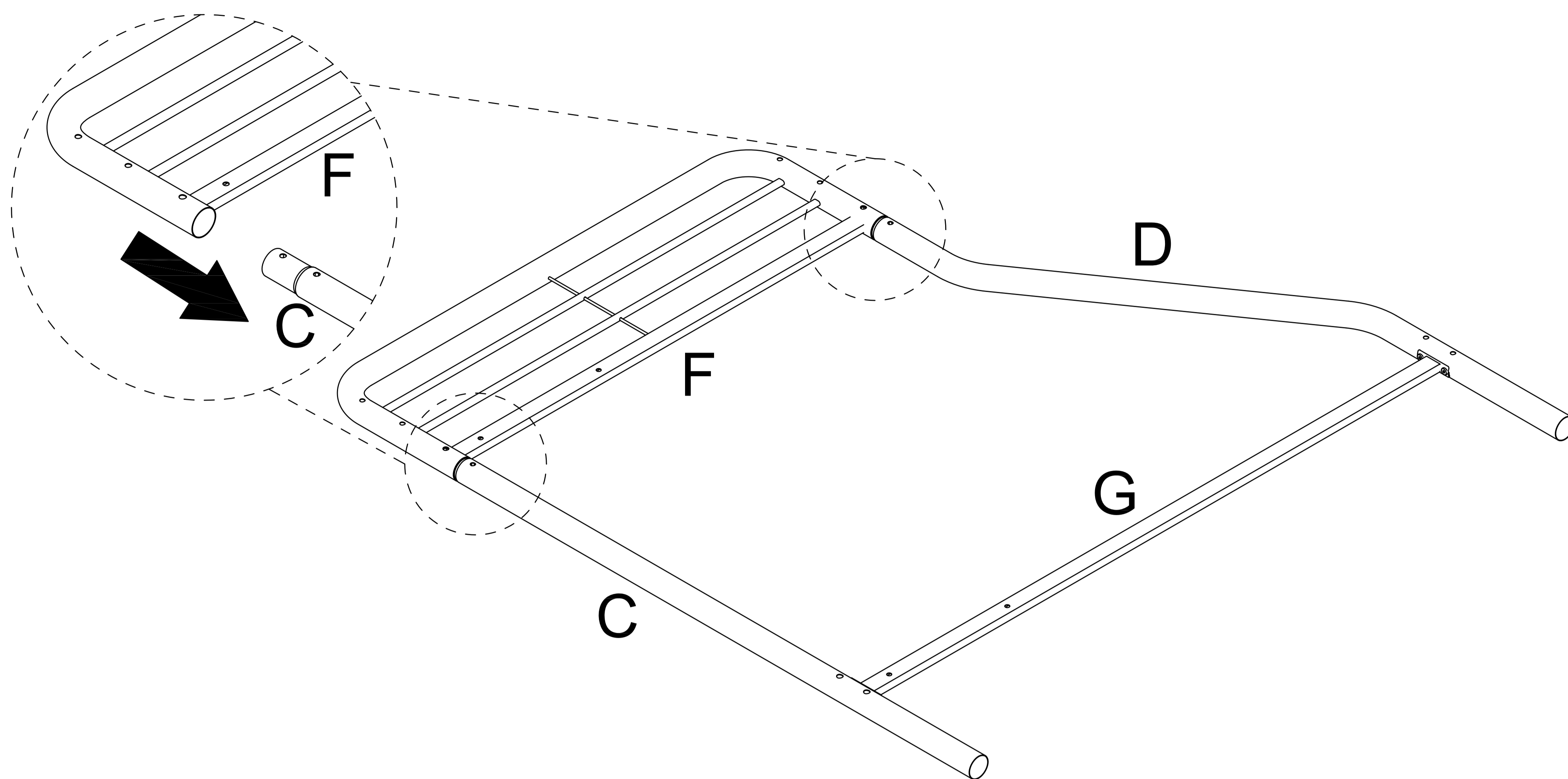
**3**

Attach the Support Bar (G) to the Post (C) and Post (D), insert the Bolt (T) and turn the L-Allen Key (X) to tighten them.

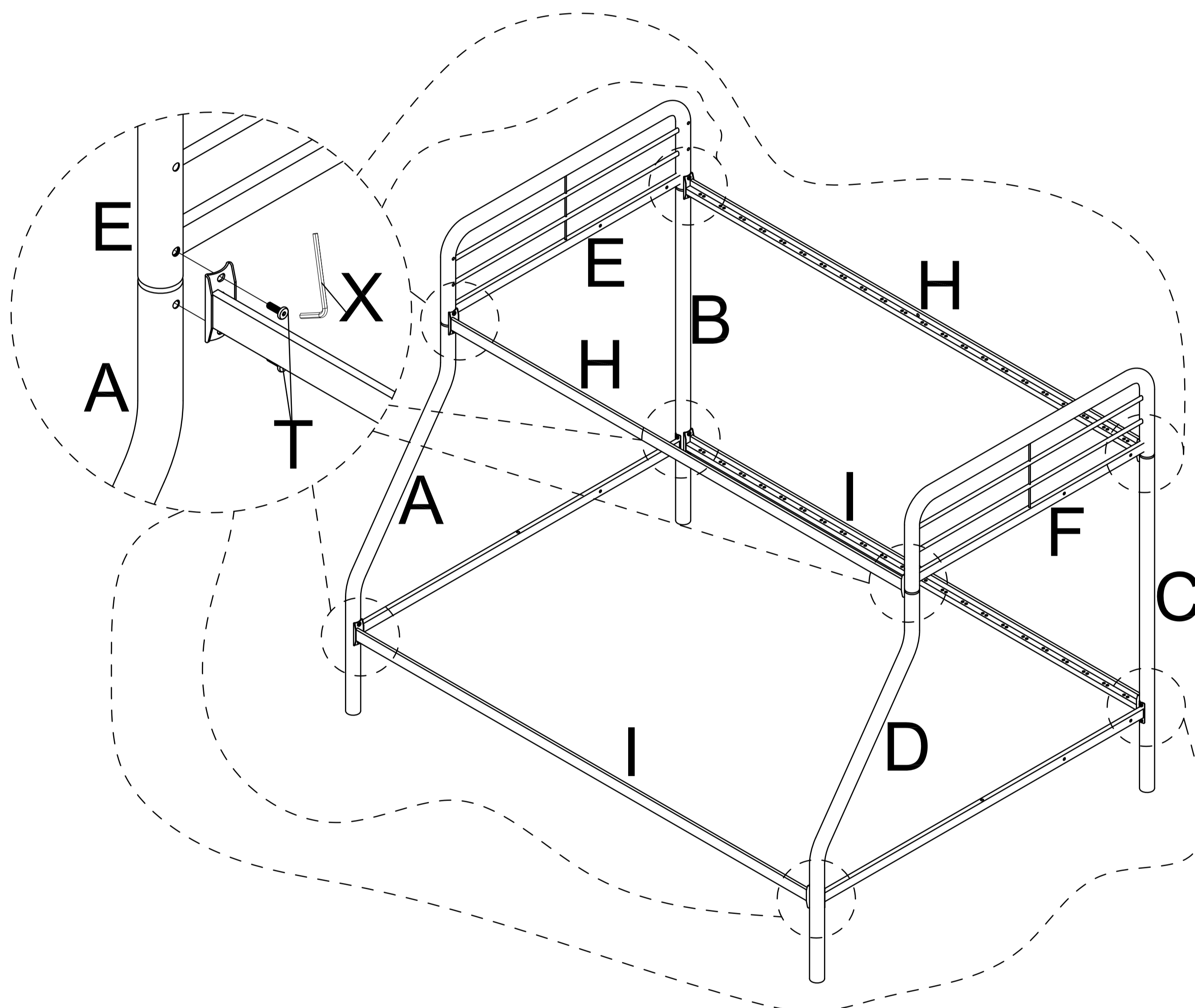


4

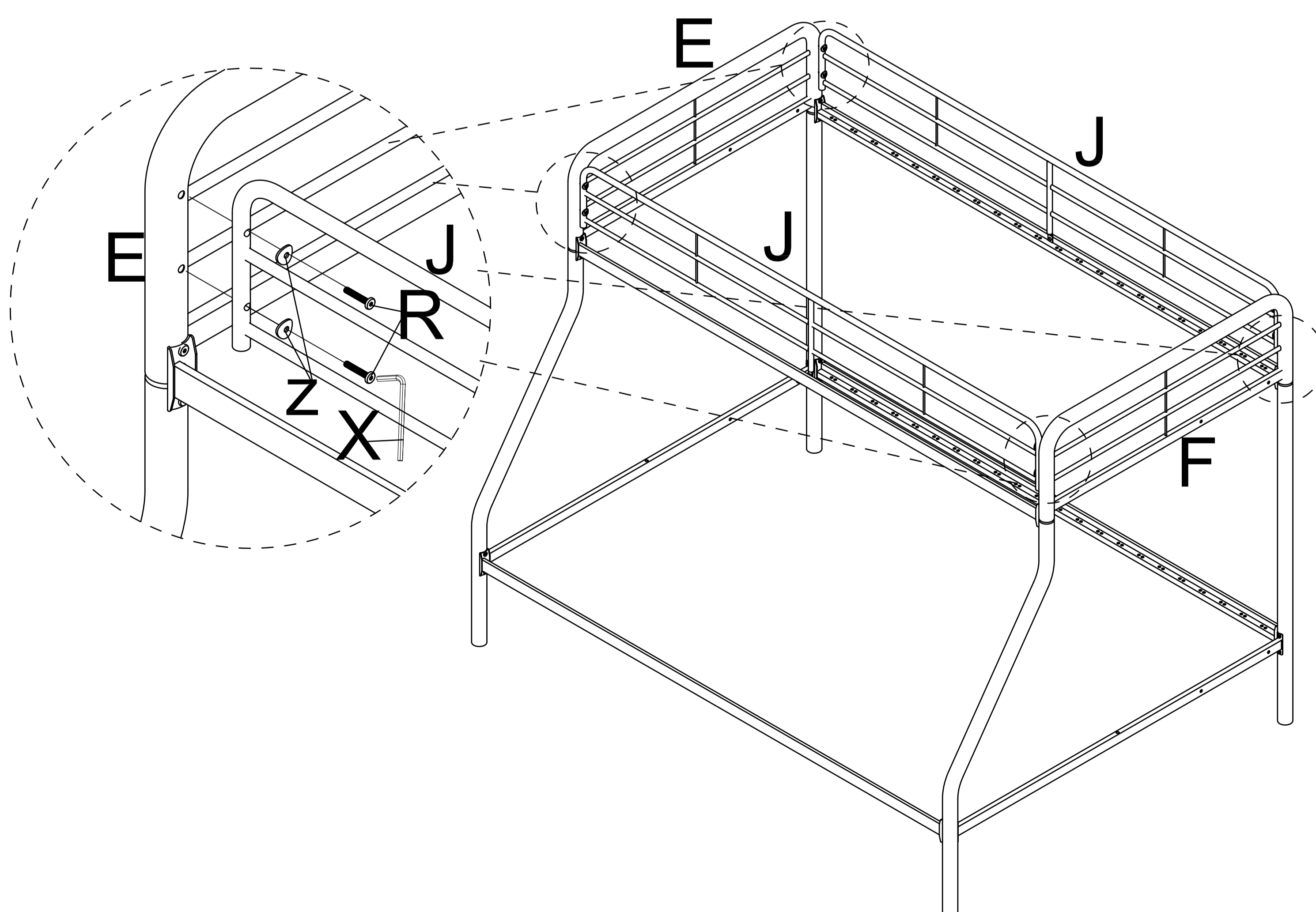
Insert the Upper Guardrail (F) to the Post (C) and Post (D).

**5**

Attach the Upper Rail (H) and Lower Rail (I) to the Posts (A), (B), (C) and (D), Upper Guardrails (E) and (F), insert the Bolt (T), turn the L-Allen Key (X) to tighten them.

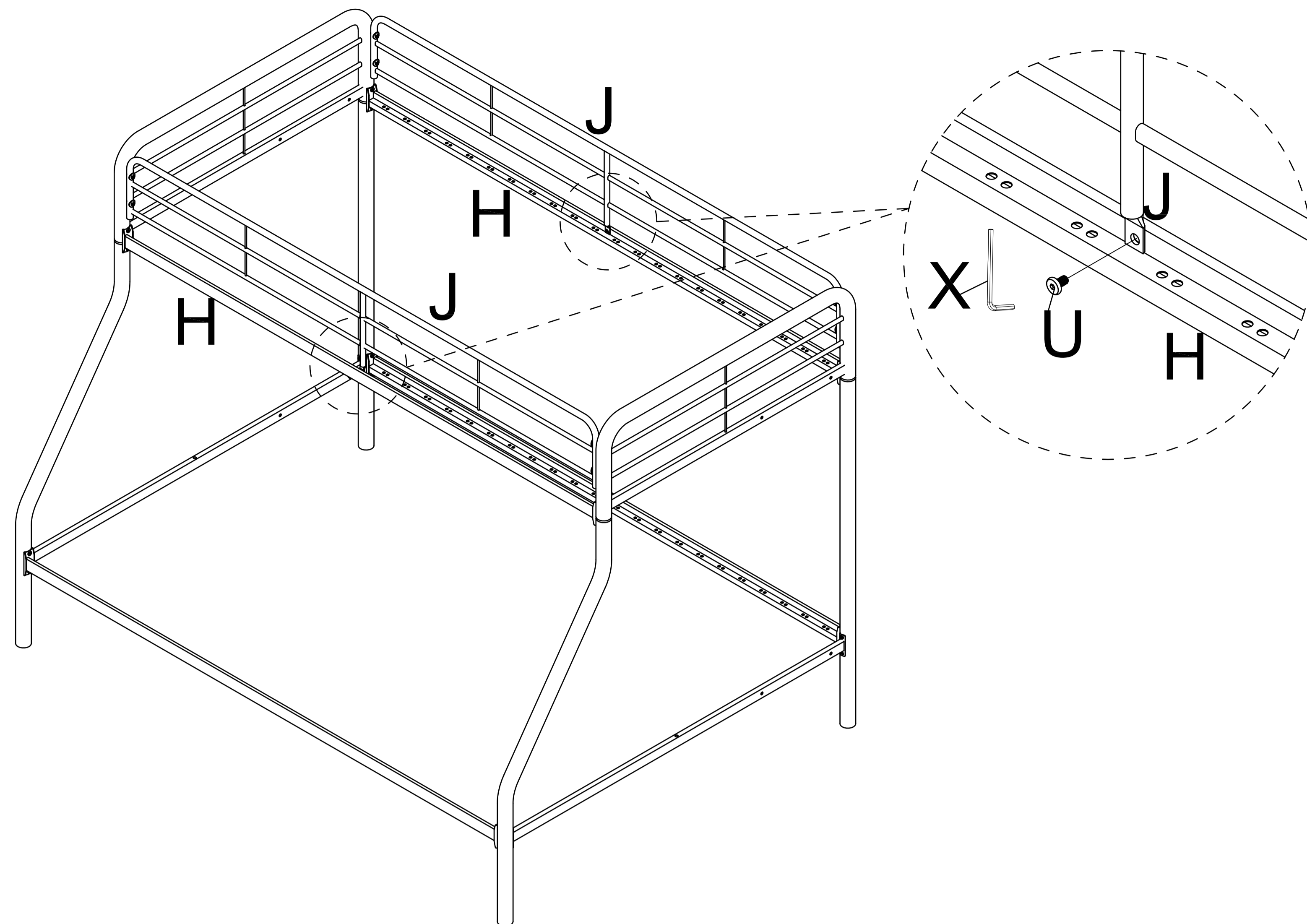
**6**

Attach the Upper Guardrail (J) to the Upper Guardrails (E) and (F), insert the Bolt (R) and the Washer (Z), turn the L-Allen Key (X) to tighten them.

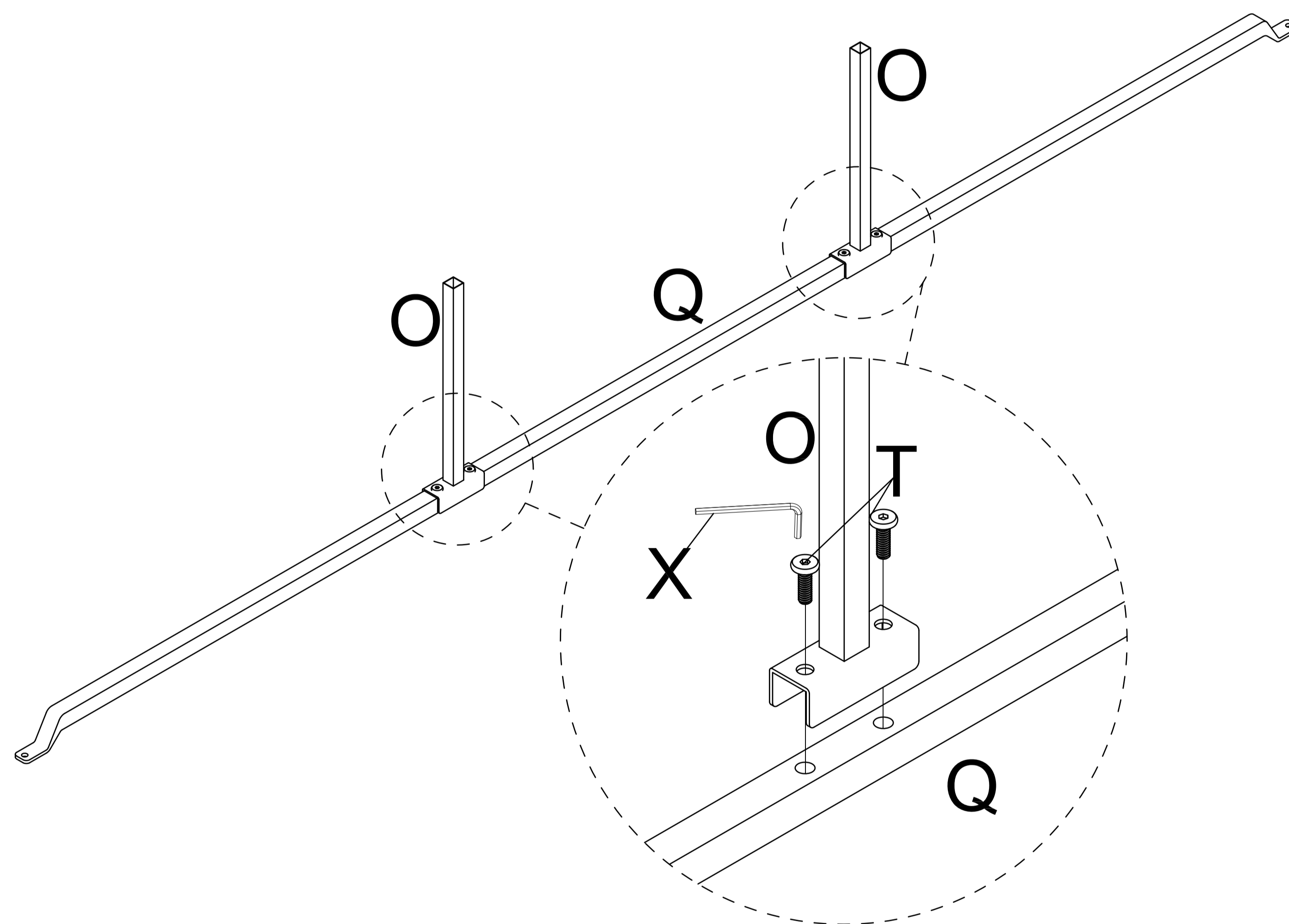


7

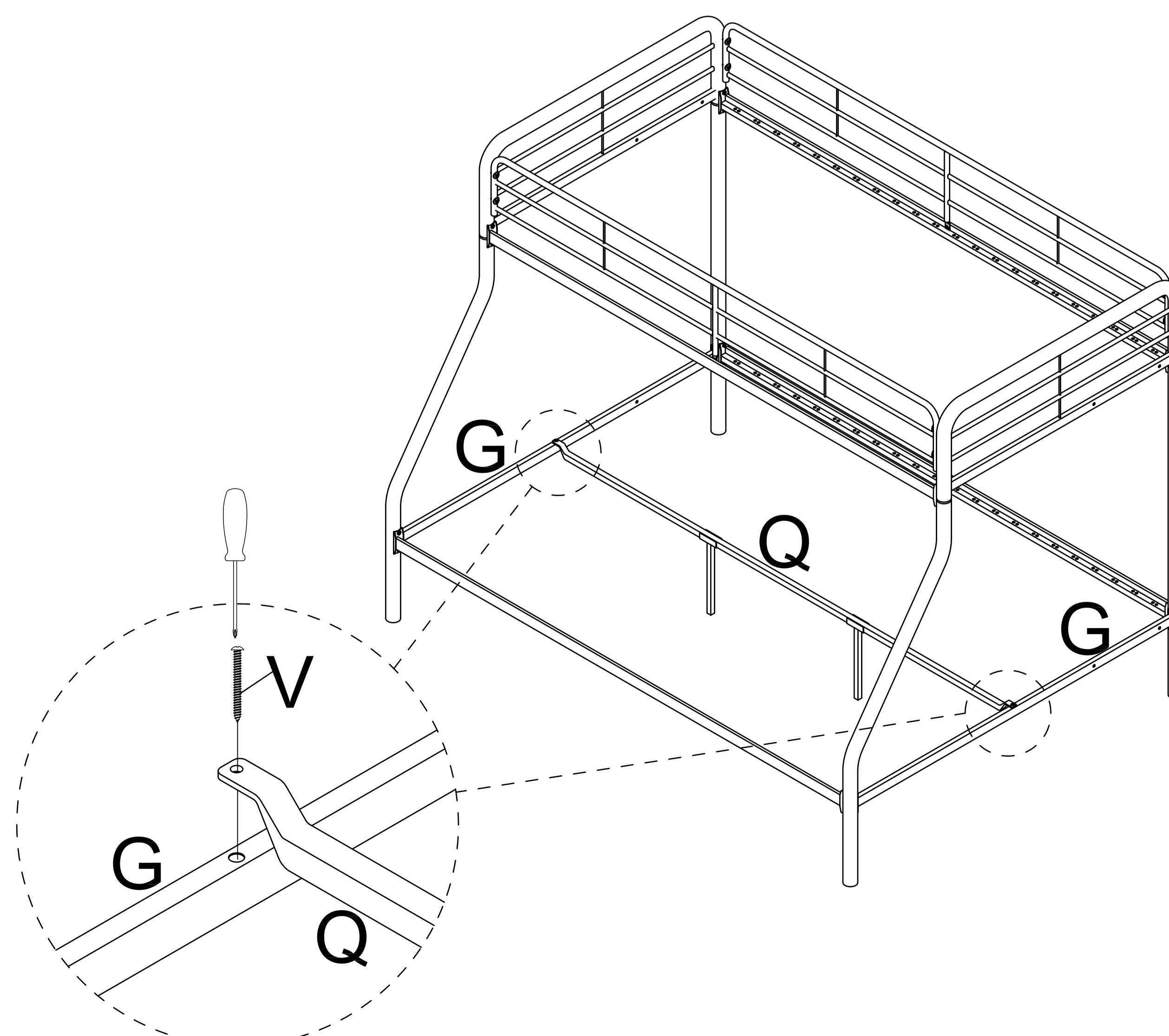
Attach the Upper Guardrail (J) to the Upper Rail (H), insert the Bolt (U), turn the L-Allen Key (X) to tighten them.

**8**

Attach the Support Leg (O) to the Center Support Rail (Q), insert the Bolt (T), turn the L-Allen Key (X) to tighten them.

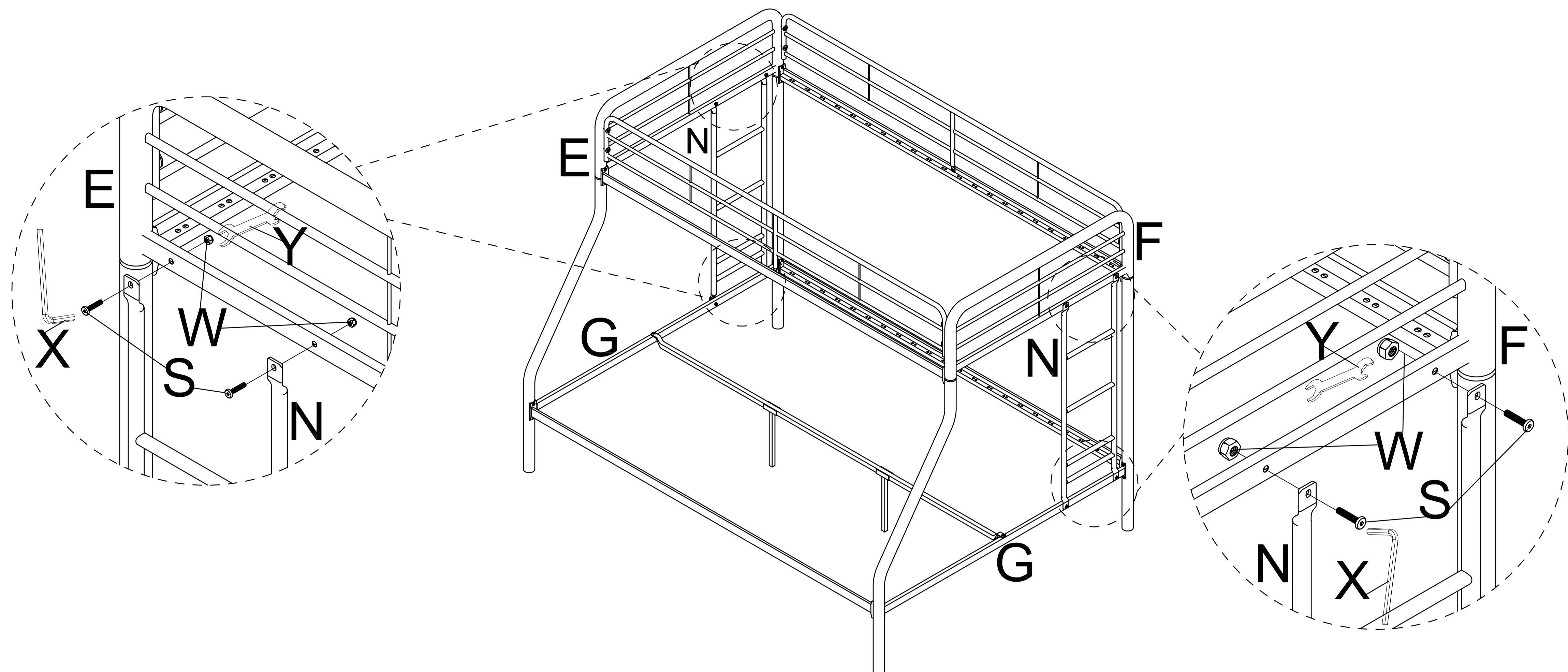
**9**

Attach the Center Support Rail (Q) to the Support Bar (G), insert the Bolt (V), turn the Screwdriver (Not provide) to tighten them.

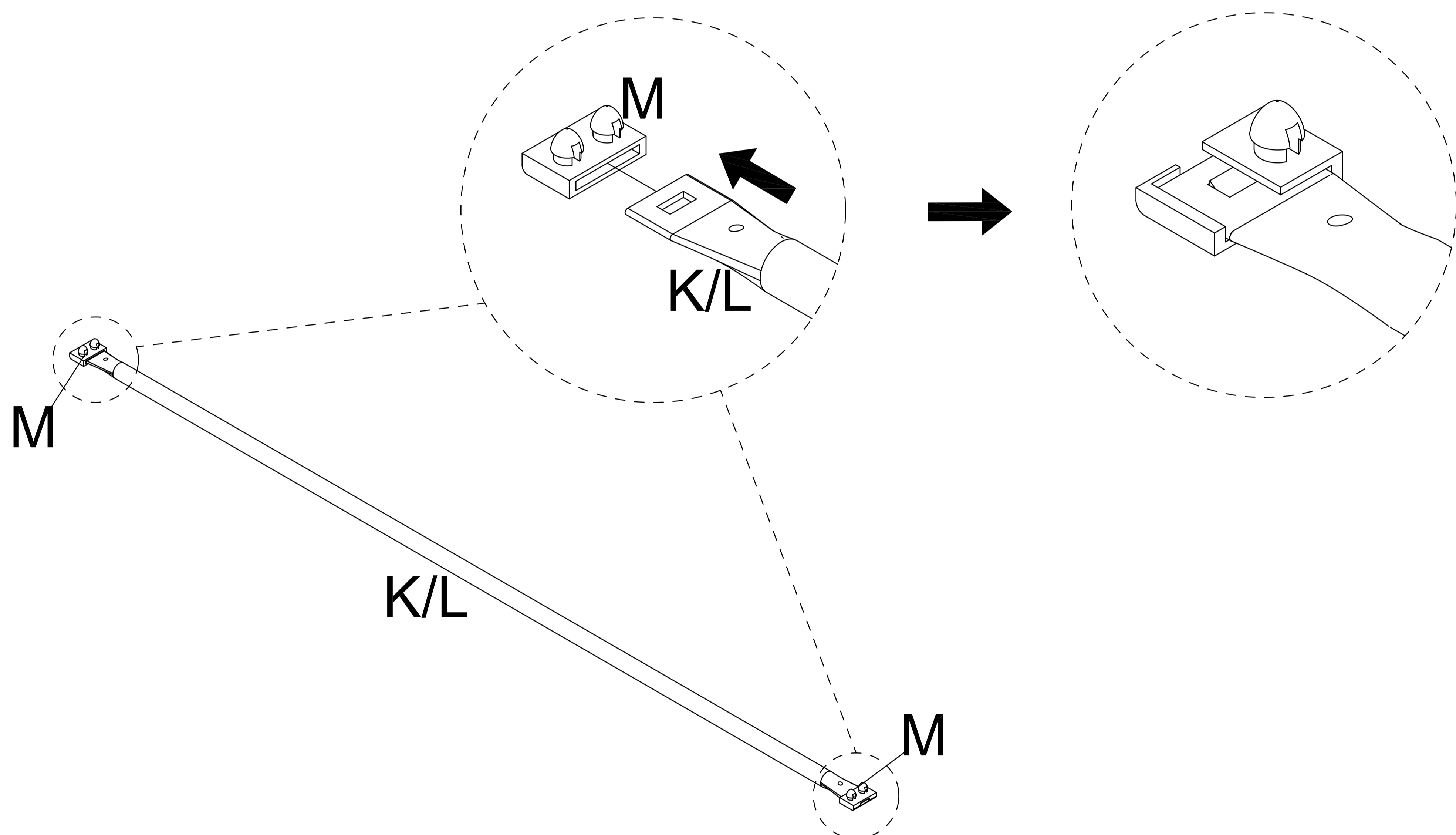


10

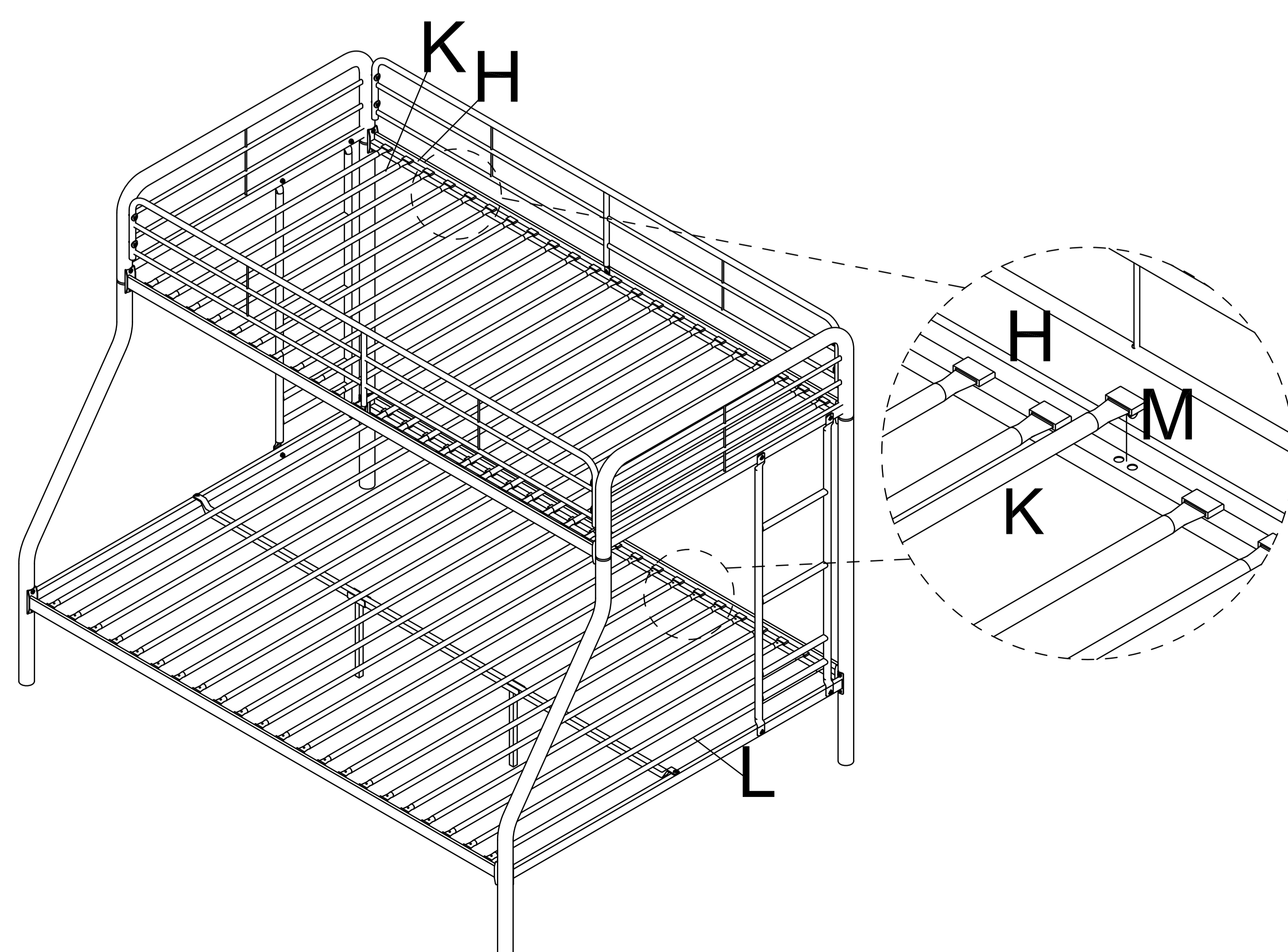
Attach the Ladder (N) to the Support Bar (G) and Upper Guardrail (E) & (F), insert the Bolt (S) and the Nut (W), turn the L-Allen Key (X) and Wrench (Y) to tighten them.

**11**

Insert the Slat Connector (M) into the both sides of Slat (K) & (L), press the Slat (K) & (L) into the correct place.

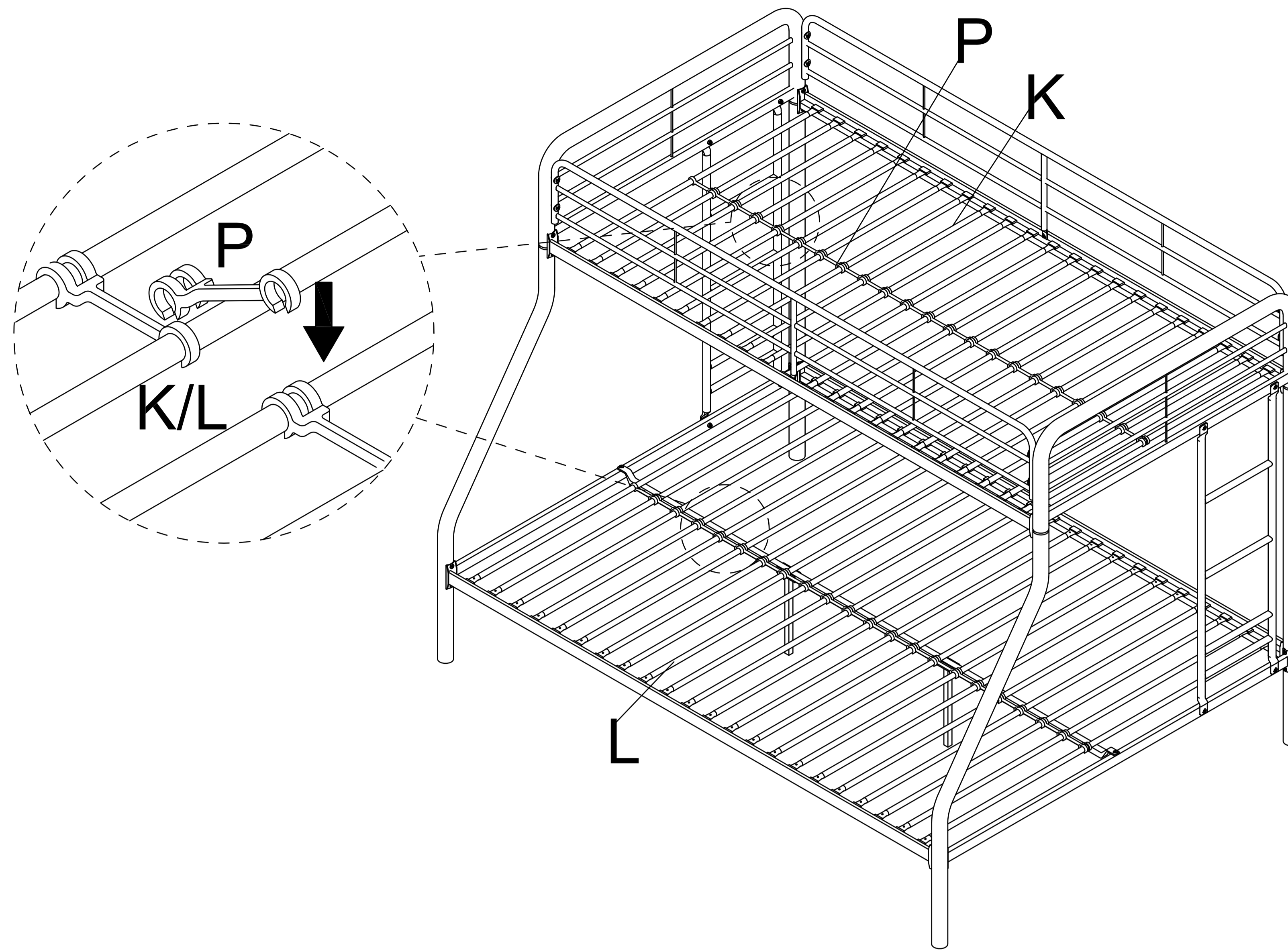
**12**

Attach the assembled Slat (K) & (L) to the rails, insert the Slat Connectors (M) into correct holes.



13

Make the Slat Spacer (P) to connect two slats as below instruction.



Cleaning & Care

Treat surface with care. Surface is resistant to scratches but is not scratch resistant. Clean surfaces with a dry or damp soft cloth. Do not use abrasive cleaners. Hardware may loosen over time. Periodically check that all connections are tight.

IMPORTANT NOTICE

FOR TWIN/FULL BUNK BED:

- Use only mattress which is 75" long and 38" wide on upper bunk.
- Use only mattress which is 75" long and 54" wide on lower bunk.
- Ensure thickness of mattress does not exceed 6" and mattress is at least 5" below upper edge of guardrails.

FOR TWIN/TWIN BUNK BED:

- Use only mattress which is 75" long and 38" wide on bunk.
- Use only mattress which is 75" long and 38" wide on lower bunk.
- Ensure thickness of mattress does not exceed 6" and mattress is at least 5" below upper edge of guardrails.

SAFETY WARNING

- Follow the information on the warnings appearing on the upper bunk end structure and on the carton. Do not remove warning label from bed.
- Always use the recommended size mattress or mattress support, or both, to help prevent the likelihood of entrapment or falls.
- Surface of mattress must be at least 5" (127mm) below the upper edge of guardrails.
- Do not allow children under 6 years of age to use the upper bunk.
- Periodically check and ensure that the guardrail, ladder, and other components are in their proper position, free from damage, and that all connectors are tight.
- Do not allow horseplay on or under the bed and prohibit jumping on the bed.
- Prohibit more than one person on upper bunk.
- Always use the ladder for entering and leaving the upper bunk.
- Do not use substitute parts - Contact the manufacturer or dealer for replacement parts.
- Replacement Parts - Replacement parts, including additional guardrails, may be obtained from any of our dealers.
- Use of a night light may provide added safety precaution for a child using the upper bunk.
- Always use guardrails on both long sides of the upper bunk. If the bunk bed will be placed next to the wall, the guardrail that runs the full length of the bed should be placed against the wall to prevent entrapment between the bed and the wall.
- The use of water or sleep flotation mattress is prohibited.
- **STRANGULATION HAZARD** - Never attach or hang items to any part of the bunk bed that are not designed for use with the bed; for example, but not limited to, hooks, belts, and jump ropes.
- Keep these instructions for future reference.